

US00D498863S

(12) **United States Design Patent**  
**Poon**

(10) **Patent No.:** **US D498,863 S**

(45) **Date of Patent:** **\*\* Nov. 23, 2004**

(54) **HEADLIGHT**

D485,384 S \* 1/2004 Poon ..... D26/39

(75) **Inventor:** **Tit Wing Poon, Shatin (CN)**

\* cited by examiner

(73) **Assignee:** **Flying Dragon Development Ltd.,  
Hong Kong (CN)**

*Primary Examiner*—Marcus A. Jackson

(74) *Attorney, Agent, or Firm*—Axix, Yale & Ristas, LLP

(\*\*) **Term:** **14 Years**

(57) **CLAIM**

The ornamental design for a headlight, as shown and described.

(21) **Appl. No.:** **29/201,362**

(22) **Filed:** **Mar. 15, 2004**

**DESCRIPTION**

(51) **LOC (7) Cl.** ..... **26-06**

FIG. 1 is a front perspective view of the headlight showing my new design;

(52) **U.S. Cl.** ..... **D26/28**

FIG. 2 is a front view of the headlight of FIG. 1;

(58) **Field of Search** ..... D26/37-50; 362/459-468,  
362/473-476, 485-487

FIG. 3 is a top plan view of the headlight of FIG. 1;

FIG. 4 is a left side view of the headlight of FIG. 1;

FIG. 5 is a right side view of the headlight of FIG. 1;

FIG. 6 is a rear view of the headlight of FIG. 1; and,

FIG. 7 is a bottom plan view of the headlight of FIG. 1.

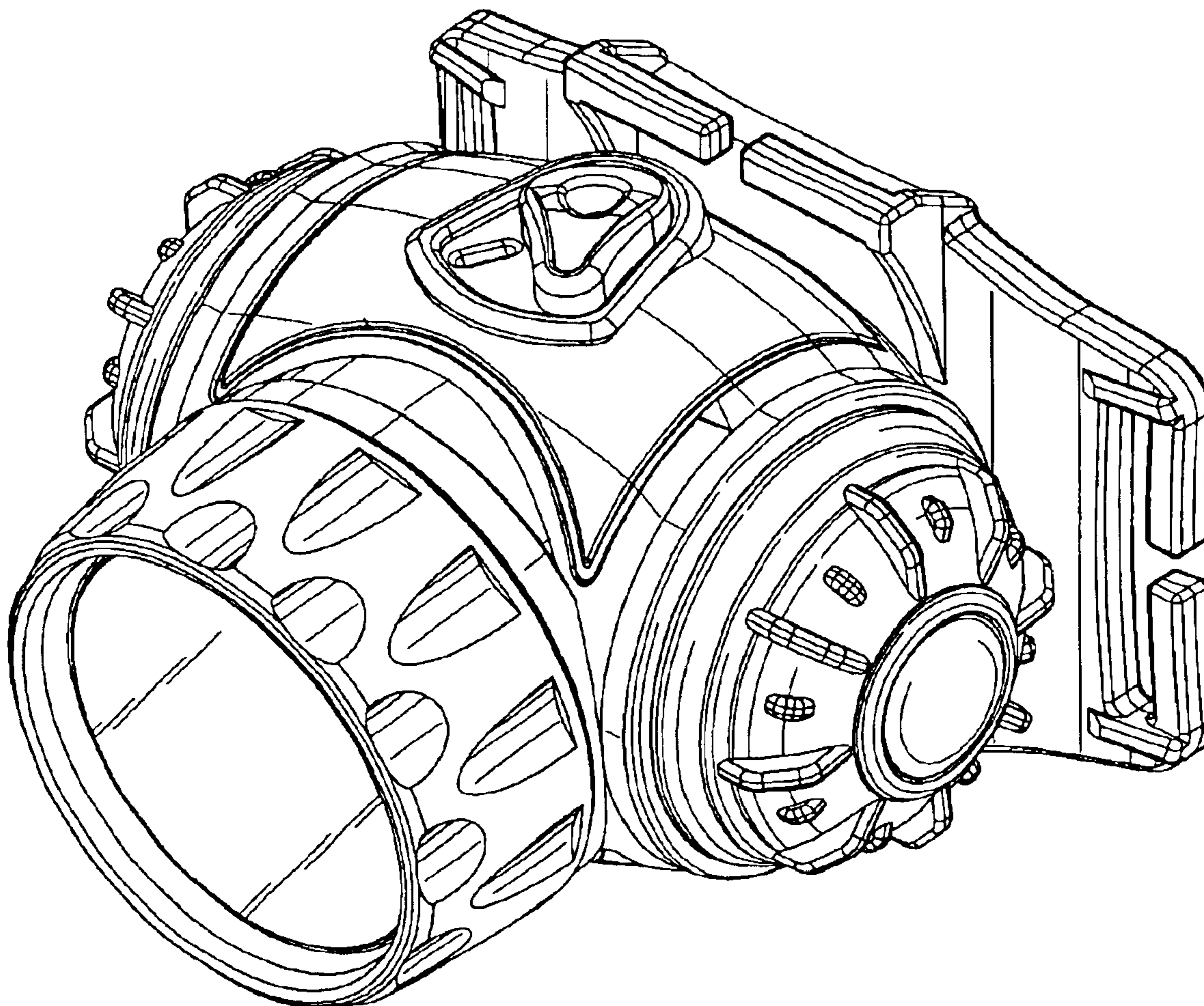
(56) **References Cited**

**U.S. PATENT DOCUMENTS**

D405,202 S \* 2/1999 Fattori et al. .... D26/39

D445,931 S \* 7/2001 Shiu ..... D26/28

**1 Claim, 4 Drawing Sheets**



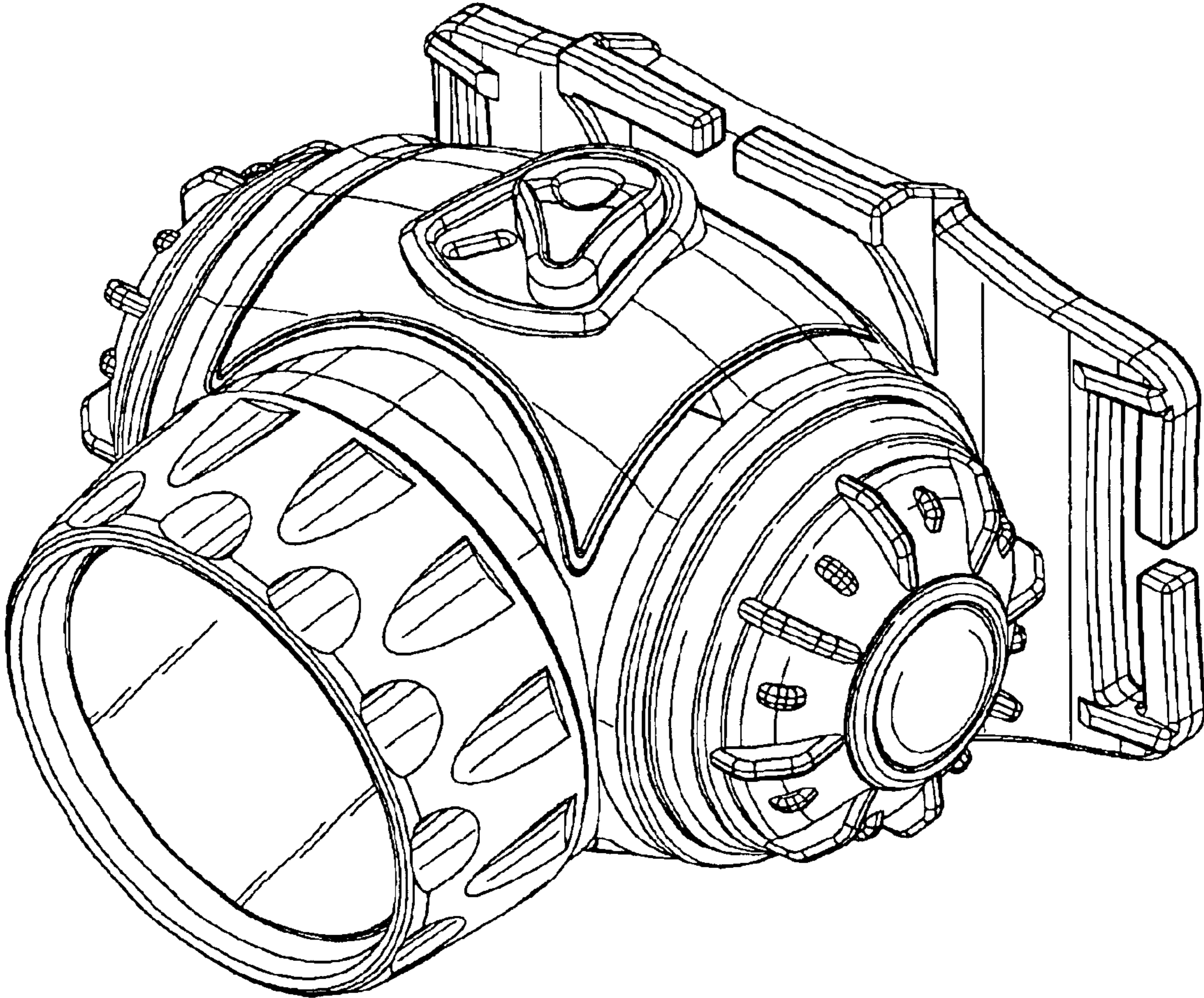


FIG. 1

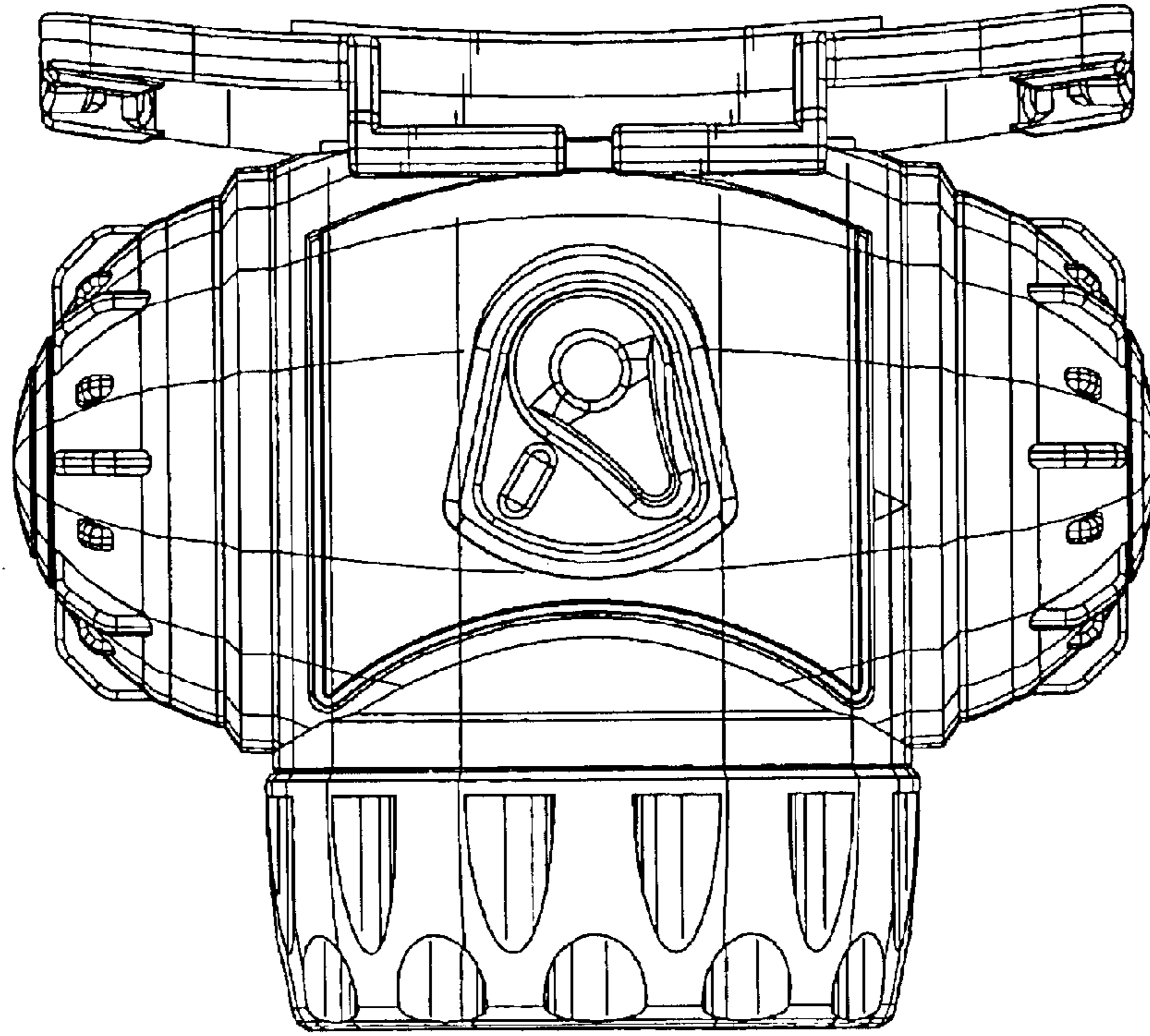


FIG. 3

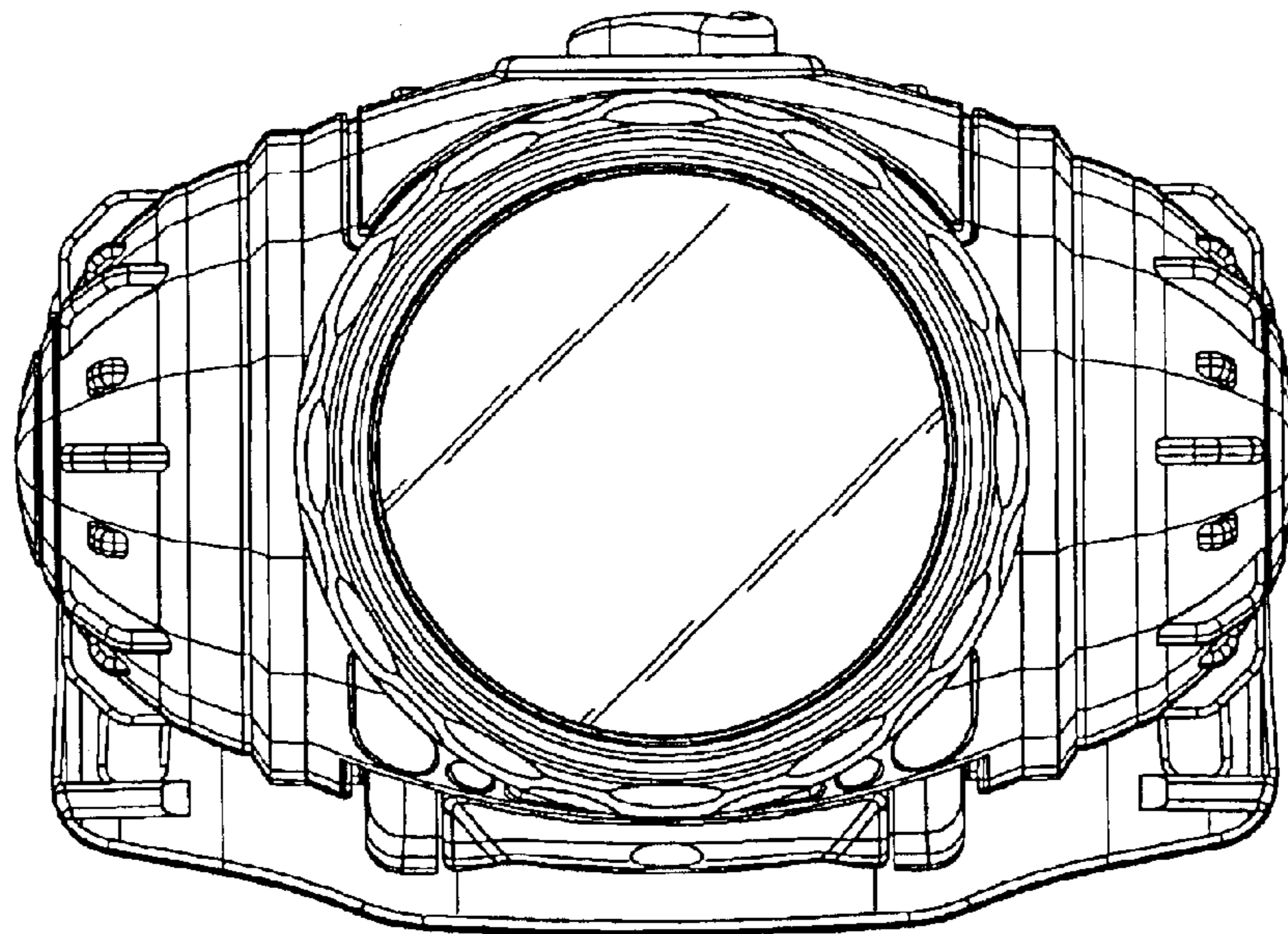


FIG. 2

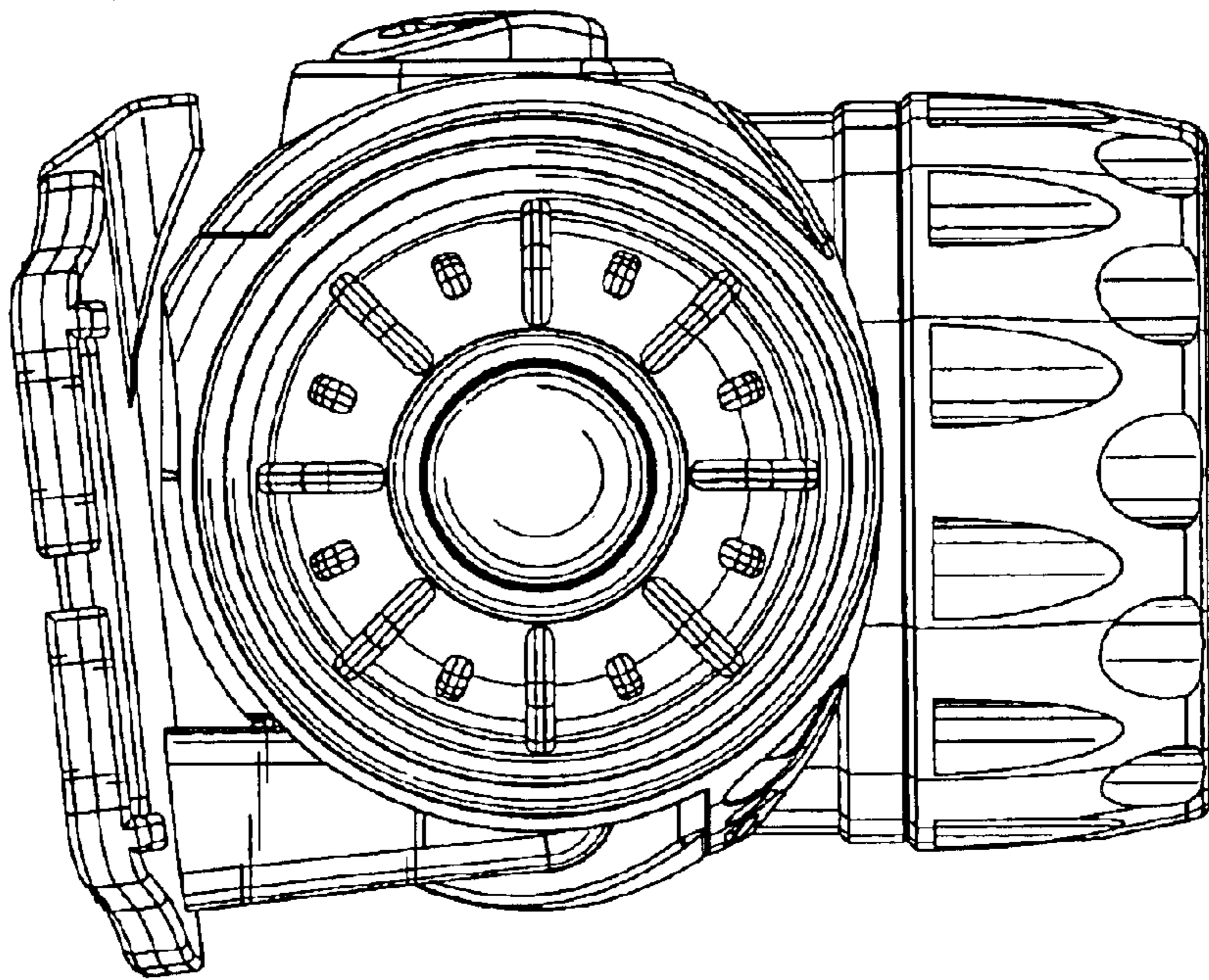


FIG. 4

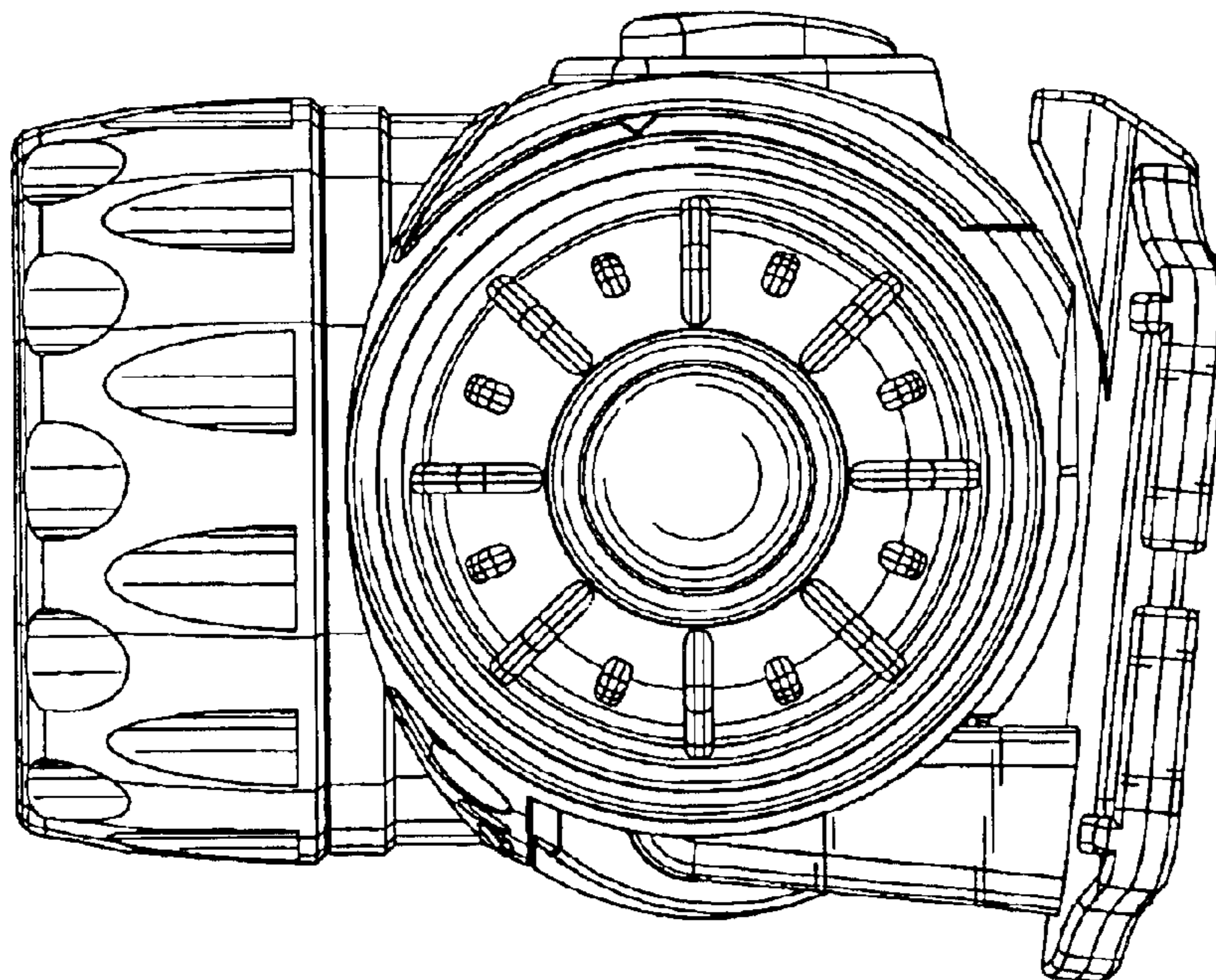


FIG. 5

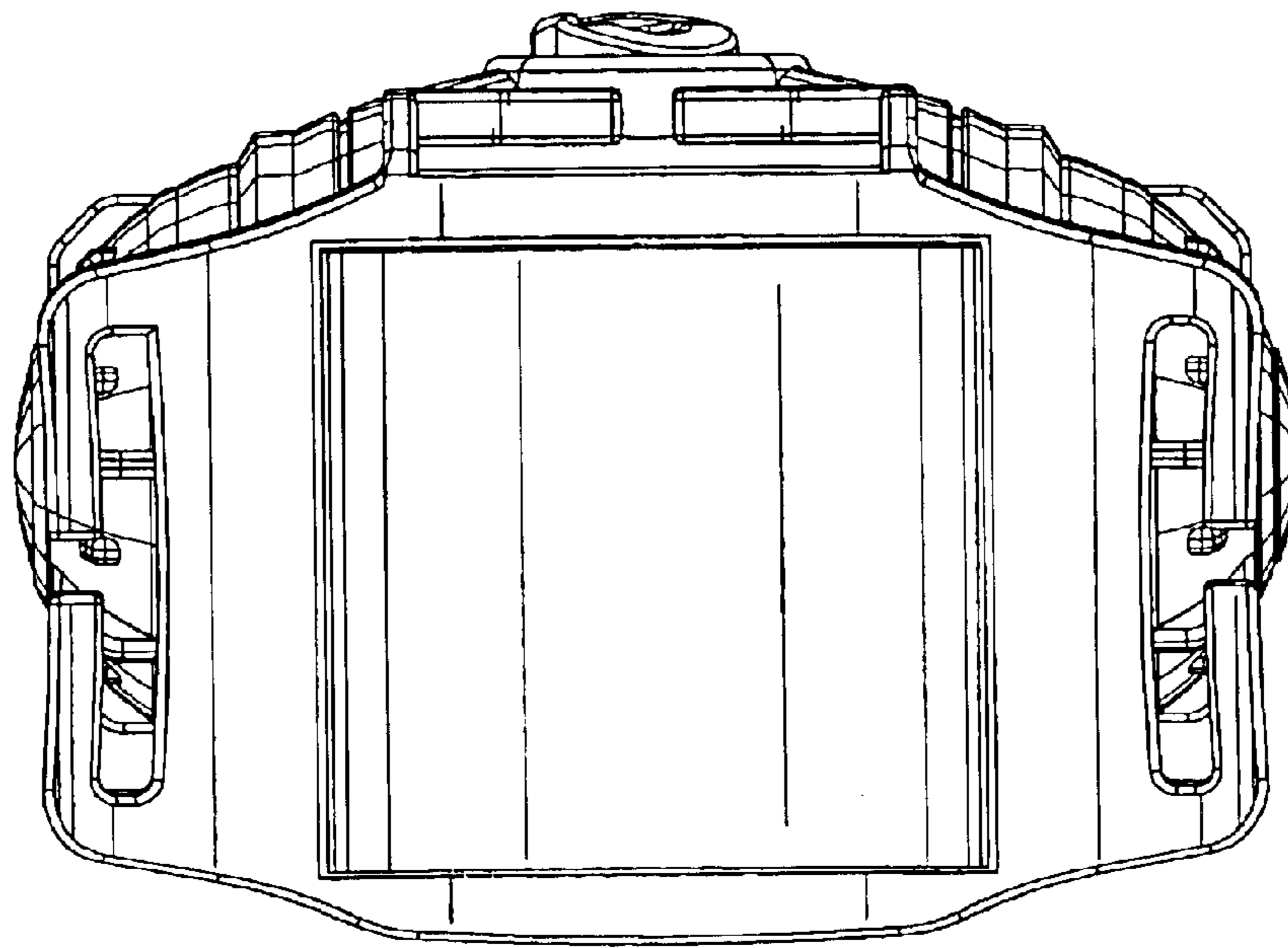


FIG. 6

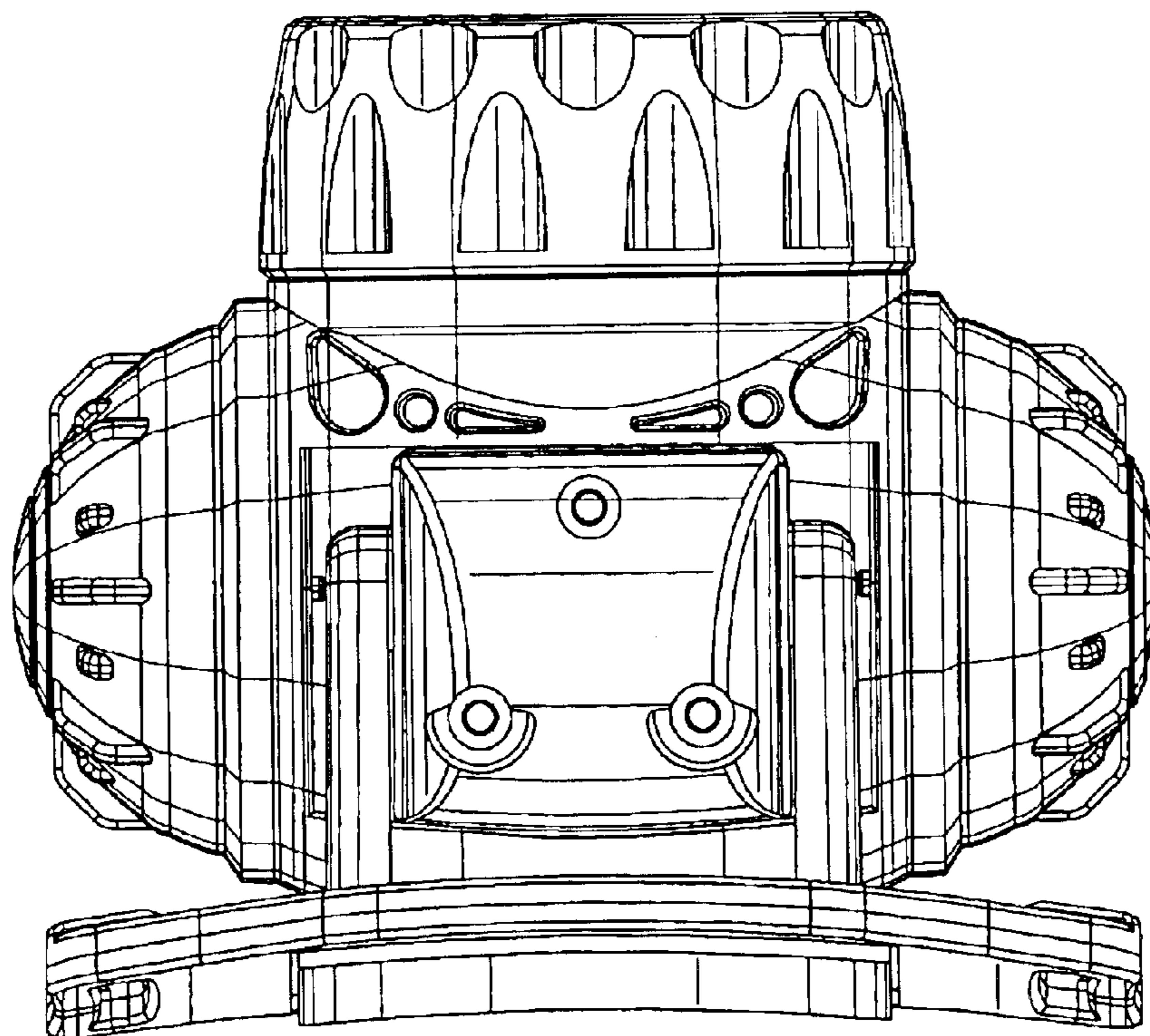


FIG. 7