

US00D498861S

(12) **United States Design Patent**
Sandoval

(10) **Patent No.:** **US D498,861 S**

(45) **Date of Patent:** **** Nov. 23, 2004**

(54) **AUTOMOTIVE TAIL LIGHT LENS**

(76) **Inventor:** **Maxi Sandoval**, 402 W. Magnolia Ave.,
Inglewood, CA (US) 90301

(**) **Term:** **14 Years**

(21) **Appl. No.:** **29/196,088**

(22) **Filed:** **Dec. 22, 2003**

(51) **LOC (7) Cl.** **26-06**

(52) **U.S. Cl.** **D26/28**

(58) **Field of Search** D26/28-36; 362/61,
362/80, 81, 82, 83, 83.3, 267, 269, 275,
330-340

(56) **References Cited**

U.S. PATENT DOCUMENTS

D490,170 S	*	5/2004	Metros et al.	D26/28
D491,299 S	*	6/2004	Simmons et al.	D26/28
D492,044 S	*	6/2004	Metros et al.	D26/28

* cited by examiner

Primary Examiner—Marcus A Jackson

(74) *Attorney, Agent, or Firm*—Goldstein Law Offices P.C.

(57) **CLAIM**

The ornamental design for an automotive tail light lens, as shown and described.

DESCRIPTION

FIG. 1 is a perspective view of the automotive tail light lens.

FIG. 2 is a front elevational view of the automotive tail light lens.

FIG. 3 is a rear elevational view thereof.

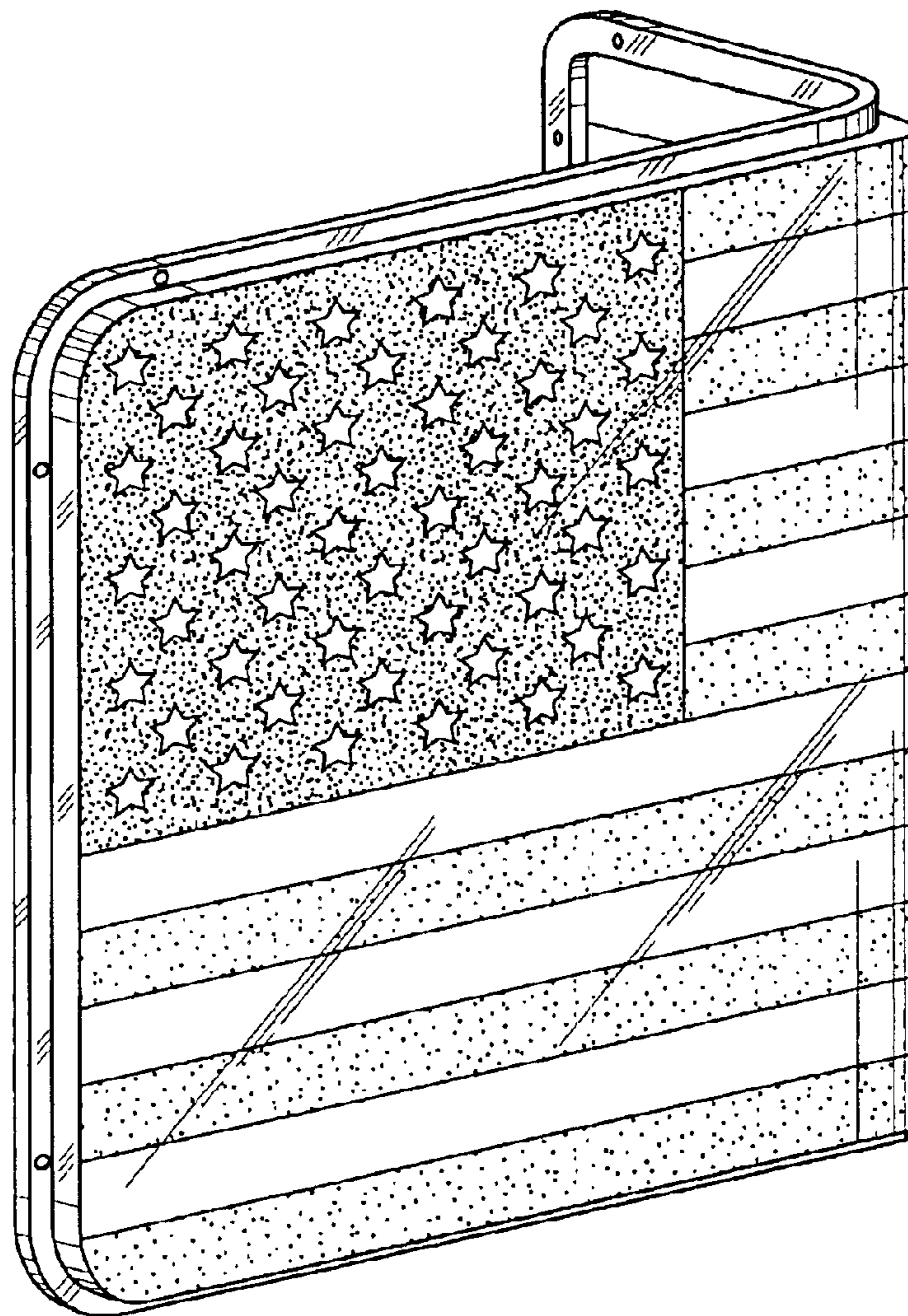
FIG. 4 is a right side elevational view thereof.

FIG. 5 is a left side elevational view thereof.

FIG. 6 is a top plan view thereof; and,

FIG. 7 is a bottom plan view thereof.

1 Claim, 4 Drawing Sheets



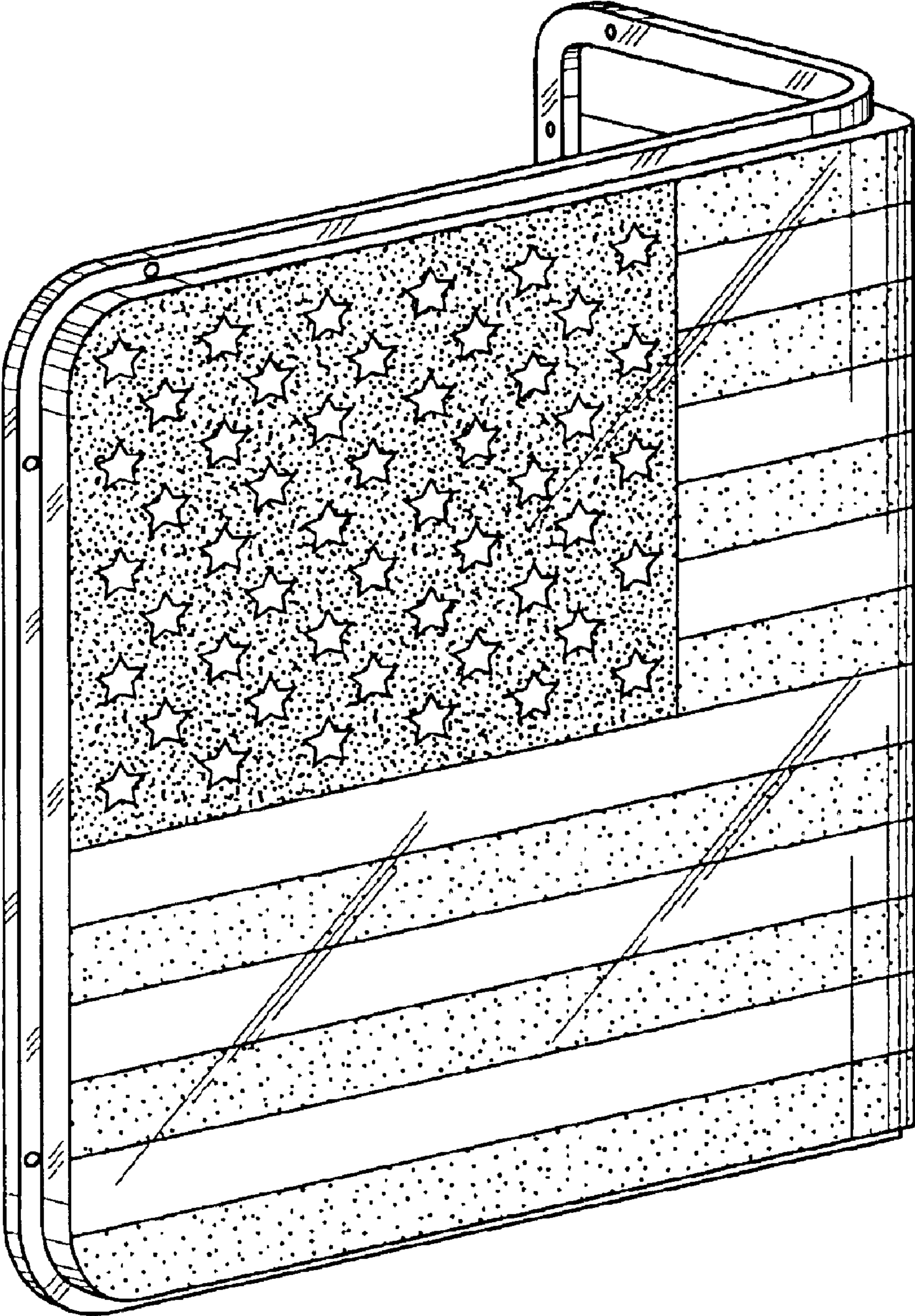


FIG. 1

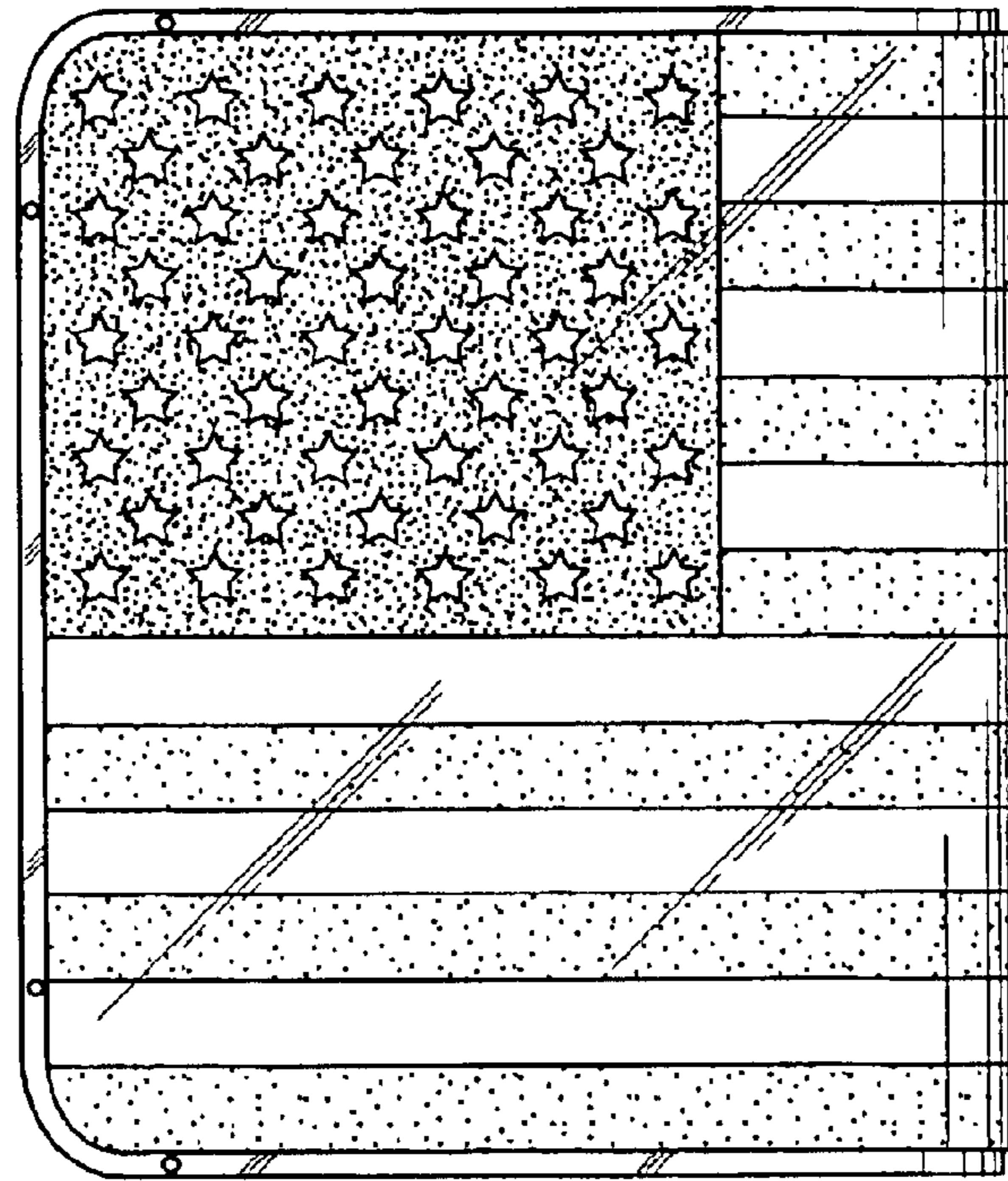


FIG. 2

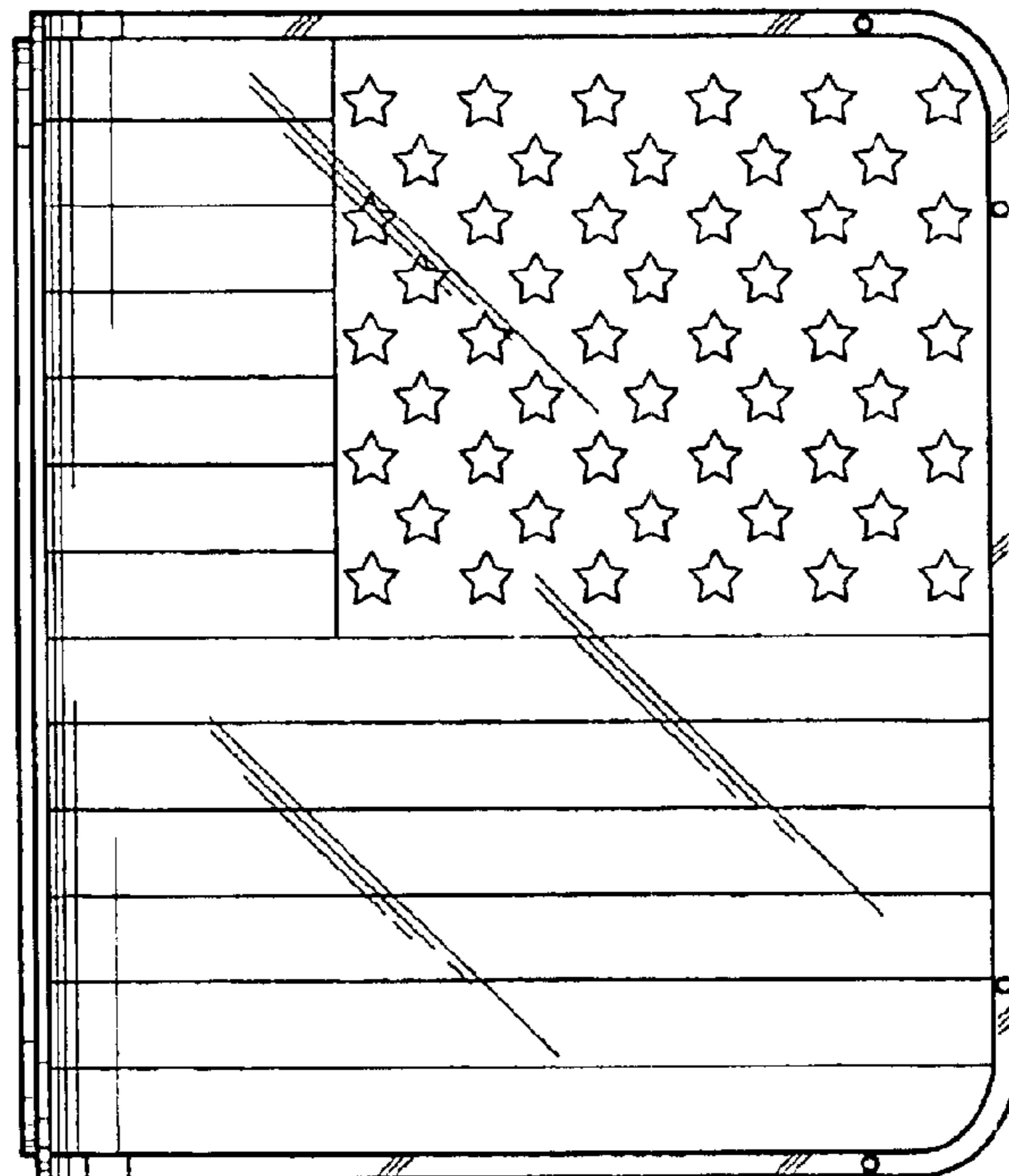


FIG. 3

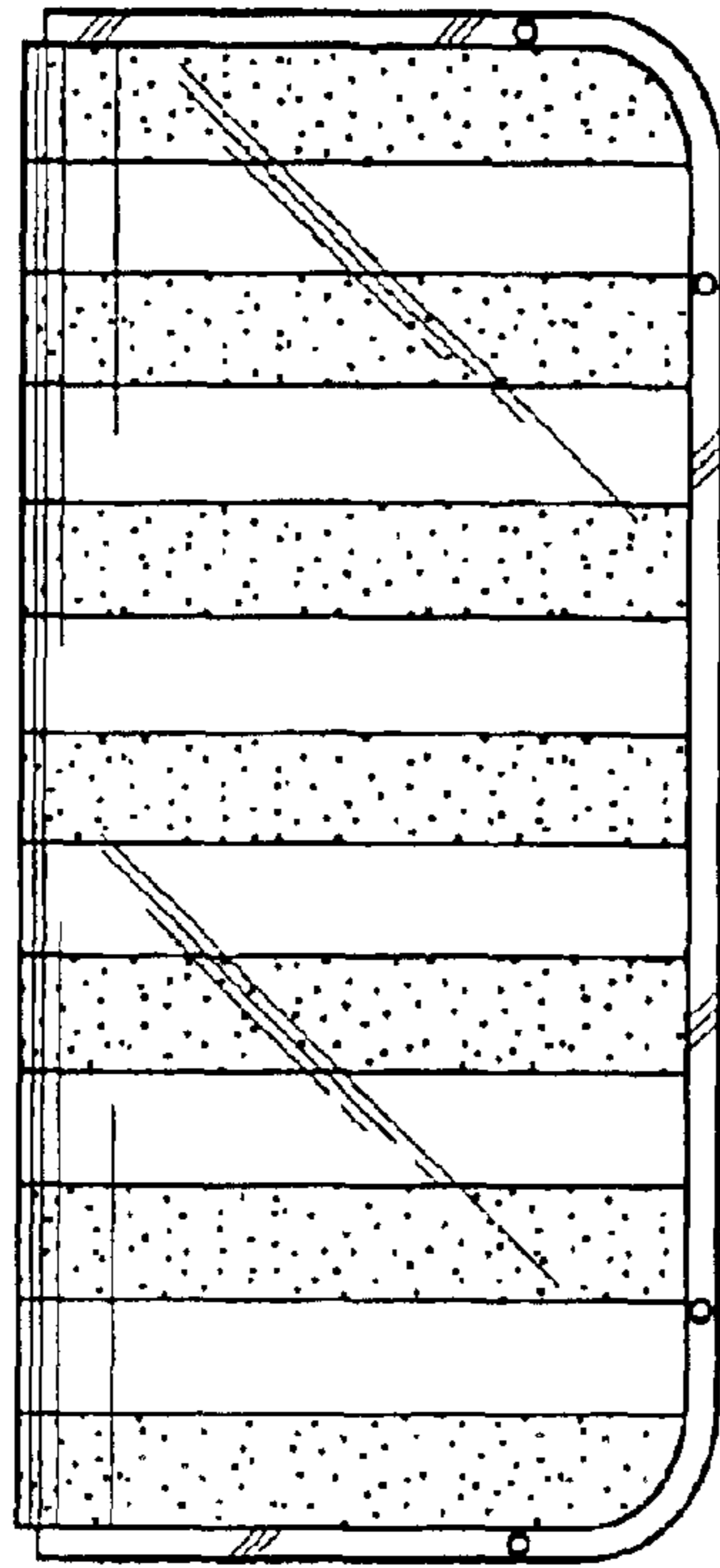


FIG. 4

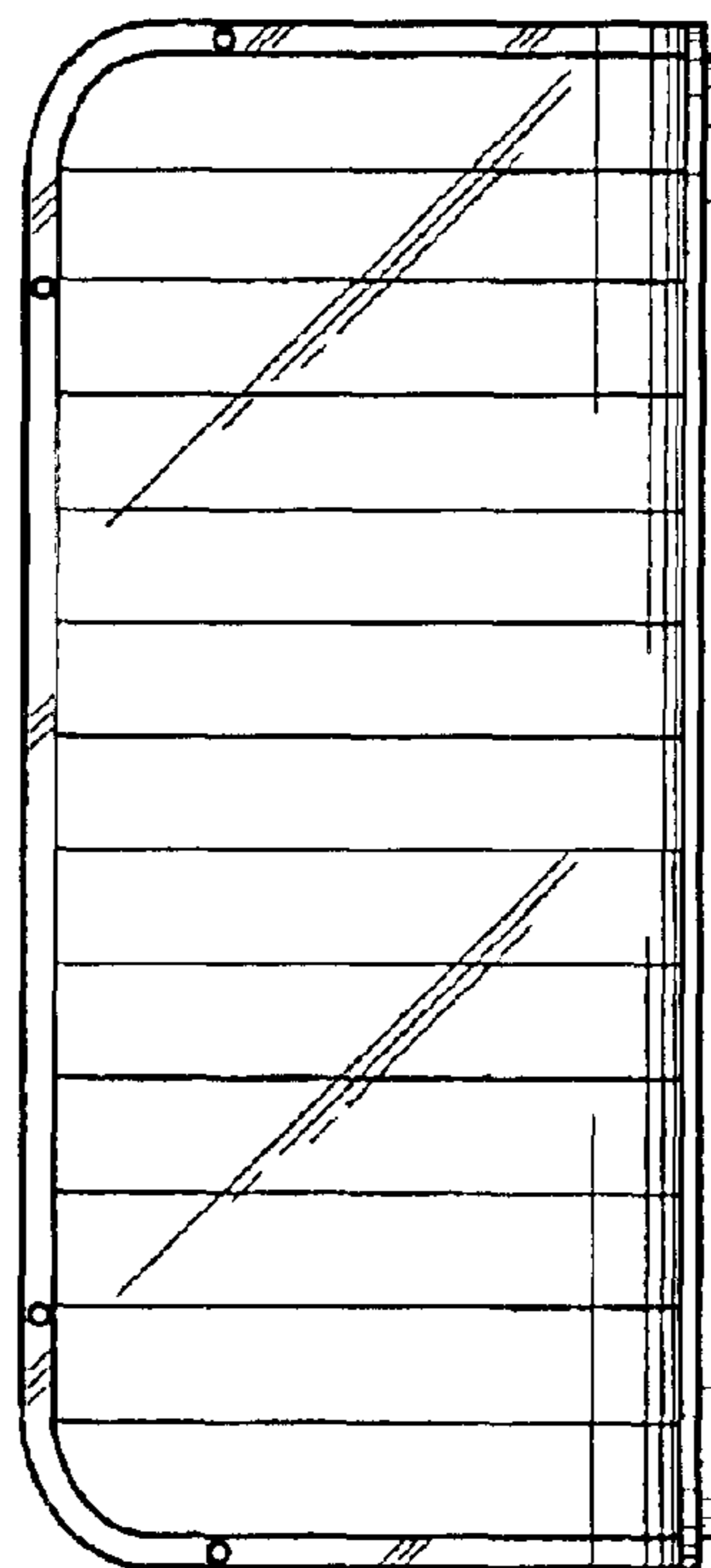


FIG. 5

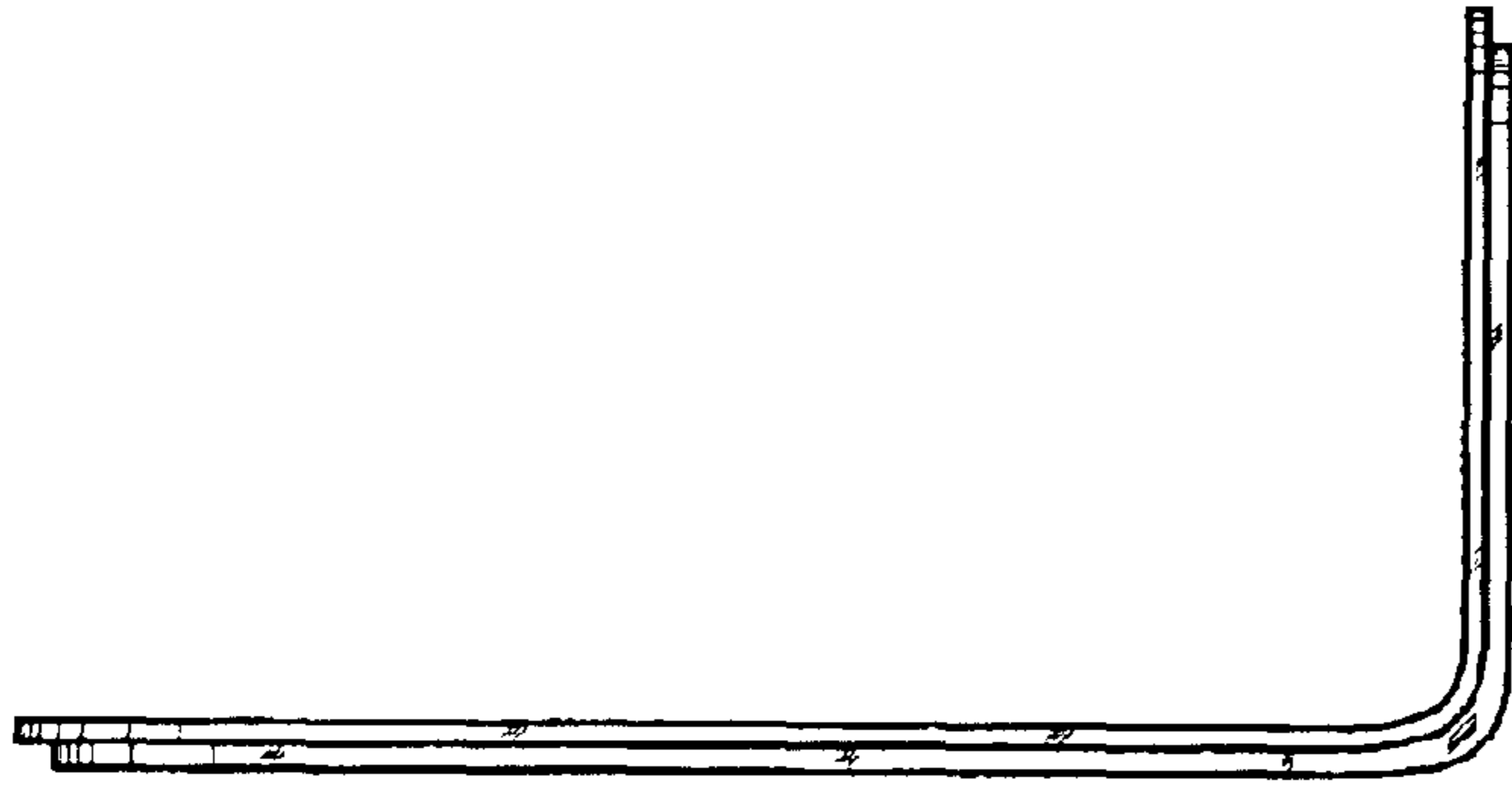


FIG. 6

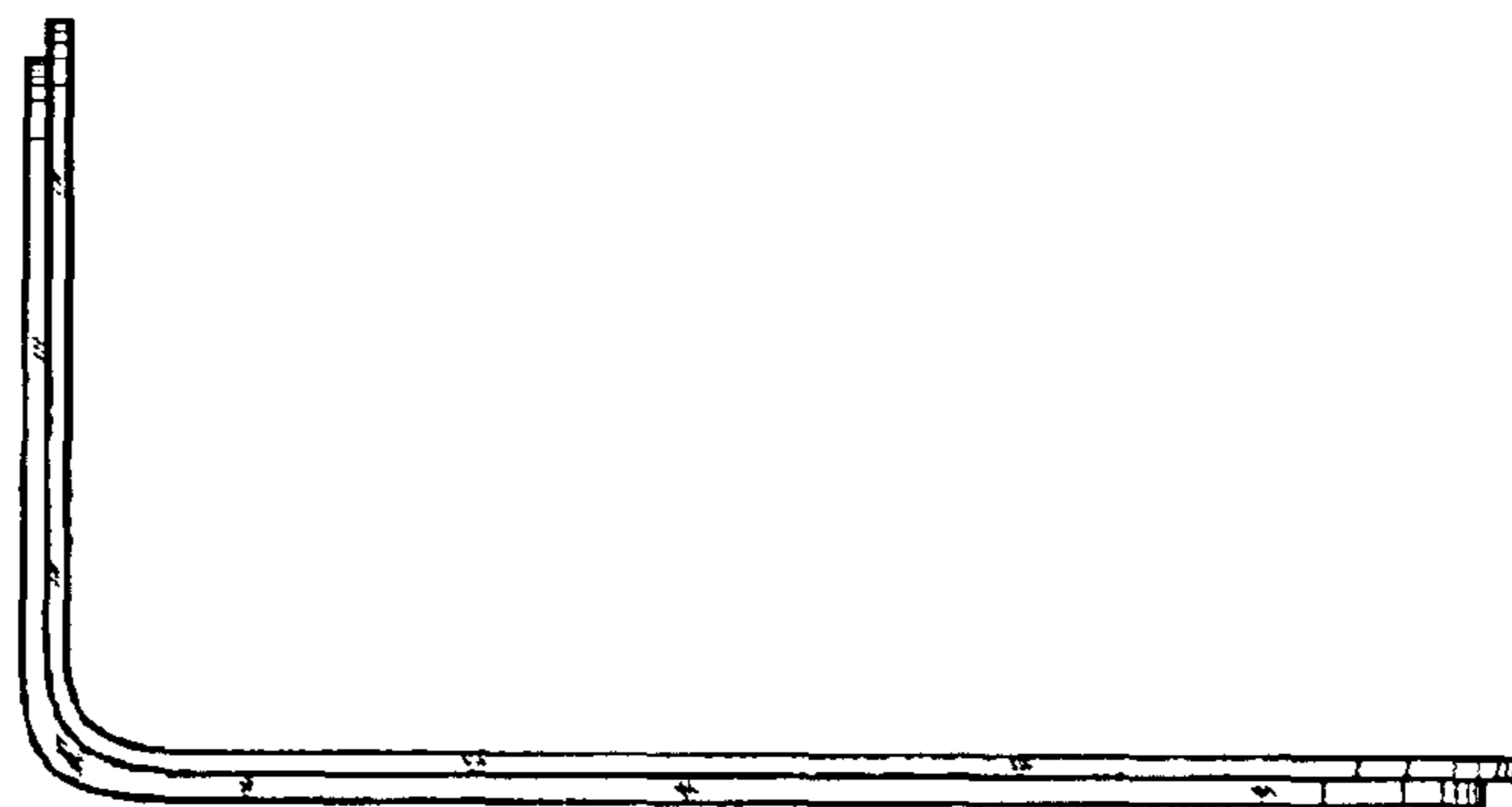


FIG. 7