

US00D498858S

(12) **United States Design Patent**
Pfeiffer et al.

(10) **Patent No.:** **US D498,858 S**

(45) **Date of Patent:** **** Nov. 23, 2004**

(54) **SURFACE CONFIGURATION OF AN INTERIOR LIGHT ASSEMBLY WITH A REAR VIEW MIRROR FOR A VEHICLE**

D407,167 S * 3/1999 Sacco et al. D26/28
D426,329 S * 6/2000 Wang Cheng D26/28

* cited by examiner

(75) Inventors: **Peter Pfeiffer**, Boeblingen (DE); **Murat Guenak**, Ehningen (DE); **Hans-Dieter Futschik**, Gechingen (DE)

Primary Examiner—Marcus A. Jackson
(74) *Attorney, Agent, or Firm*—Crowell & Moring LLP

(73) Assignee: **DaimlerChrysler AG**, Stuttgart (DE)

(57) **CLAIM**

(**) Term: **14 Years**

The ornamental design for a surface configuration of an interior light assembly with a rear view mirror for a vehicle, as shown and described.

(21) Appl. No.: **29/178,426**

(22) Filed: **Mar. 27, 2003**

DESCRIPTION

(30) **Foreign Application Priority Data**

Oct. 2, 2002 (DE) 4 02 08 239

FIG. 1 is a perspective view of a surface configuration of an interior light assembly with a rear view mirror for a vehicle according to our novel design; and,

(51) **LOC (7) Cl.** **26-06**

(52) **U.S. Cl.** **D26/28**

FIG. 2 is a front view of a surface configuration of an interior light assembly with a rear view mirror for a vehicle according to our novel design.

(58) **Field of Search** D26/28-36; 362/61, 362/74, 80, 80.1, 83, 147, 216, 217, 220, 222, 223, 432

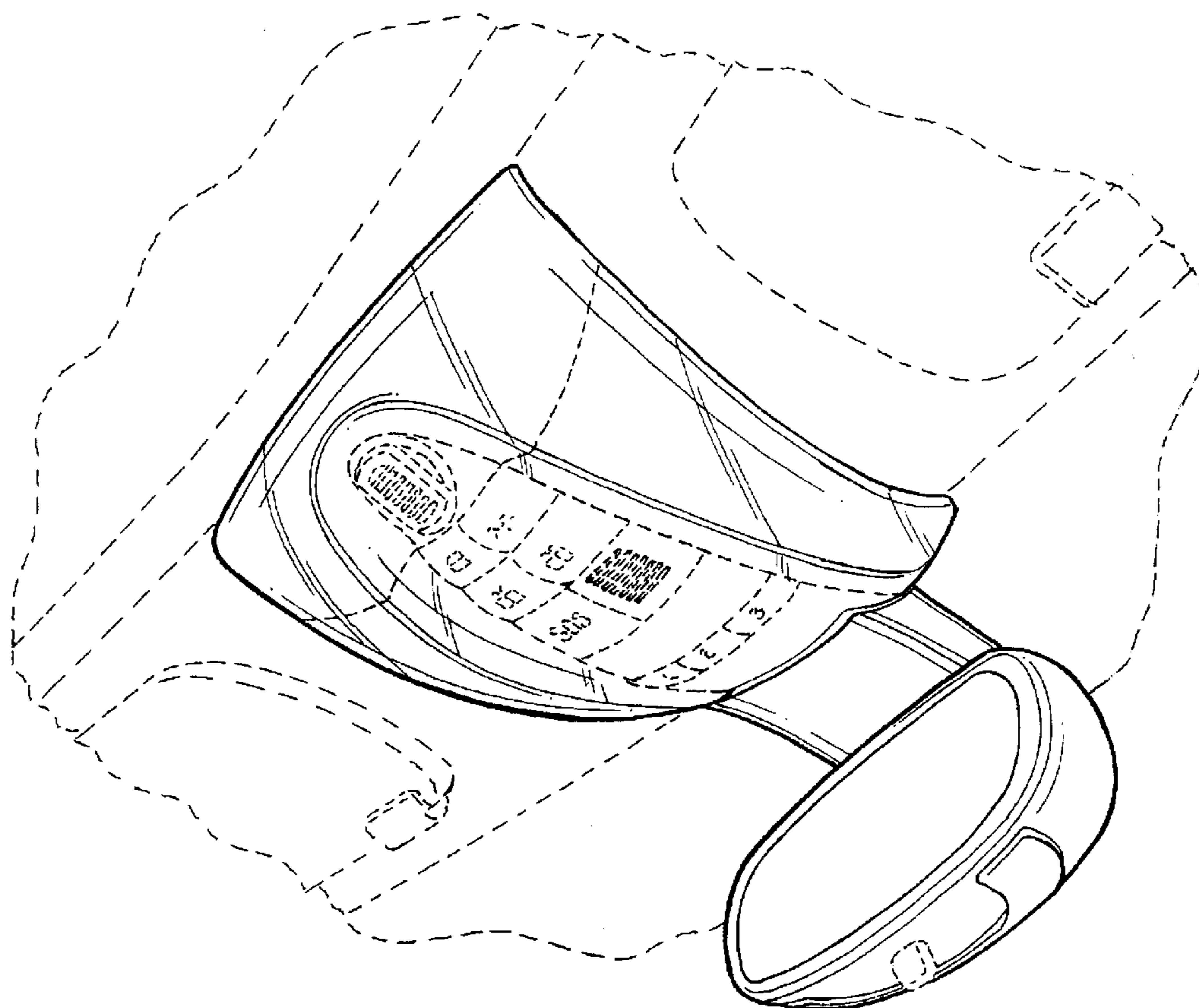
The dash lines included depict environment and are not part of the claimed design.

(56) **References Cited**

U.S. PATENT DOCUMENTS

D405,550 S * 2/1999 Sacco et al. D26/28

1 Claim, 2 Drawing Sheets



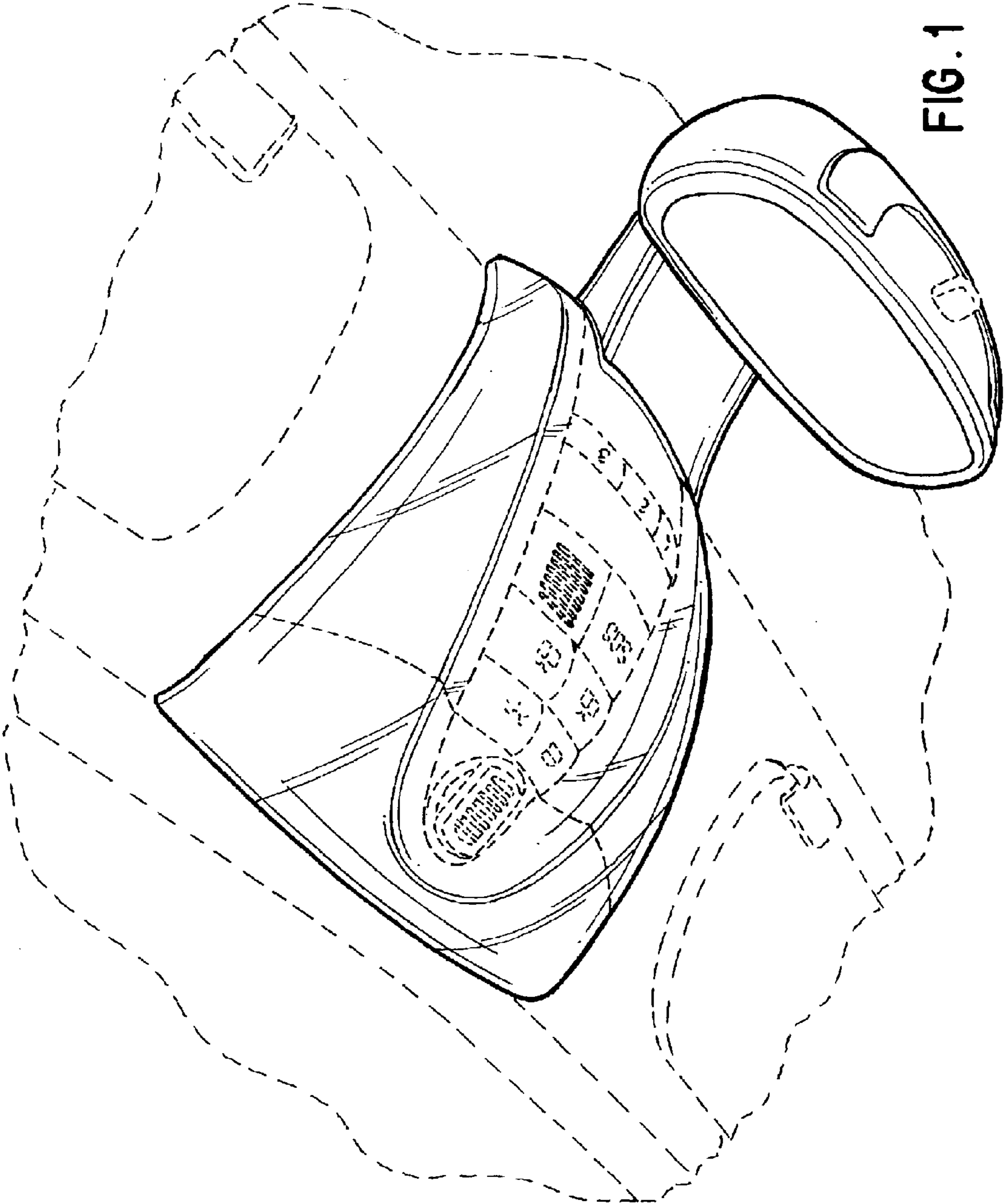


FIG. 1

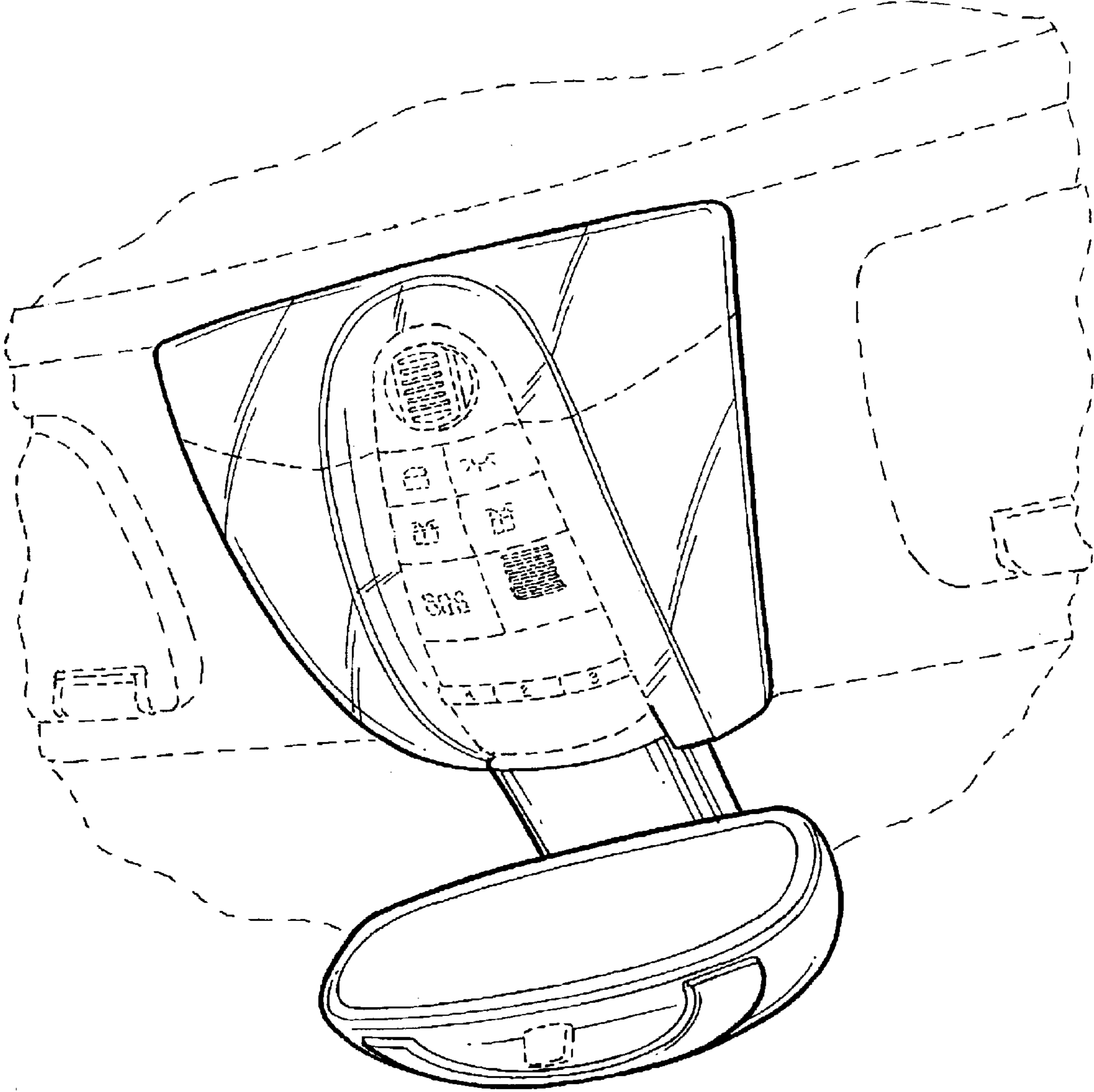


FIG. 2