

US00D498852S

(12) **United States Design Patent**
Hawkes

(10) **Patent No.:** **US D498,852 S**

(45) **Date of Patent:** **** Nov. 23, 2004**

(54) **WINDOW WELL**

D344,806 S * 3/1994 Wipkey D25/36

(76) **Inventor:** **Brett L. Hawkes**, 1751 N. 1700 E.,
Layton, UT (US) 84040

* cited by examiner

(**) **Term:** **14 Years**

Primary Examiner—Doris Clark

(74) *Attorney, Agent, or Firm*—Brian C. Trask

(21) **Appl. No.:** **29/194,924**

(57) **CLAIM**

(22) **Filed:** **Dec. 3, 2003**

The ornamental design for a window well, as shown and described.

Related U.S. Application Data

DESCRIPTION

(62) Division of application No. 29/170,117, filed on Nov. 1, 2002, now Pat. No. Des. 486,582.

FIG. 1 is a top, rear perspective view of a window well showing my new design;

(51) **LOC (7) Cl.** **25-02**

FIG. 2 is a top view thereof;

(52) **U.S. Cl.** **D25/36**

FIG. 3 is a cross sectional view taken along 3—3 of FIG. 2; and,

(58) **Field of Search** D25/54, 36; 52/107

FIG. 4 is a cross sectional view taken along 4—4 of FIG. 2.

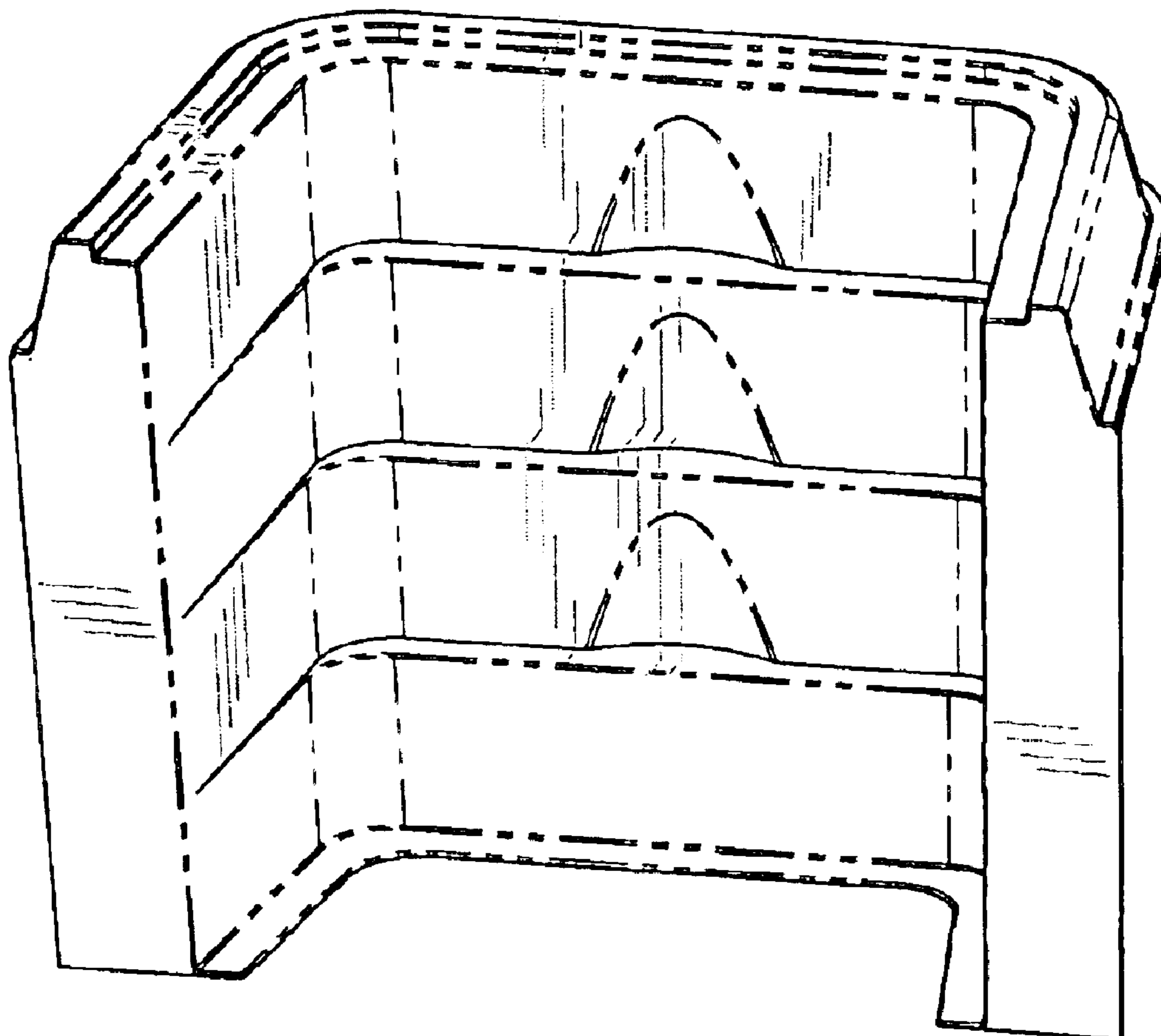
(56) **References Cited**

The broken lines are for illustrative purposes only and form no part of the claimed design.

U.S. PATENT DOCUMENTS

3,844,076 A * 10/1974 Schock 52/107

1 Claim, 1 Drawing Sheet



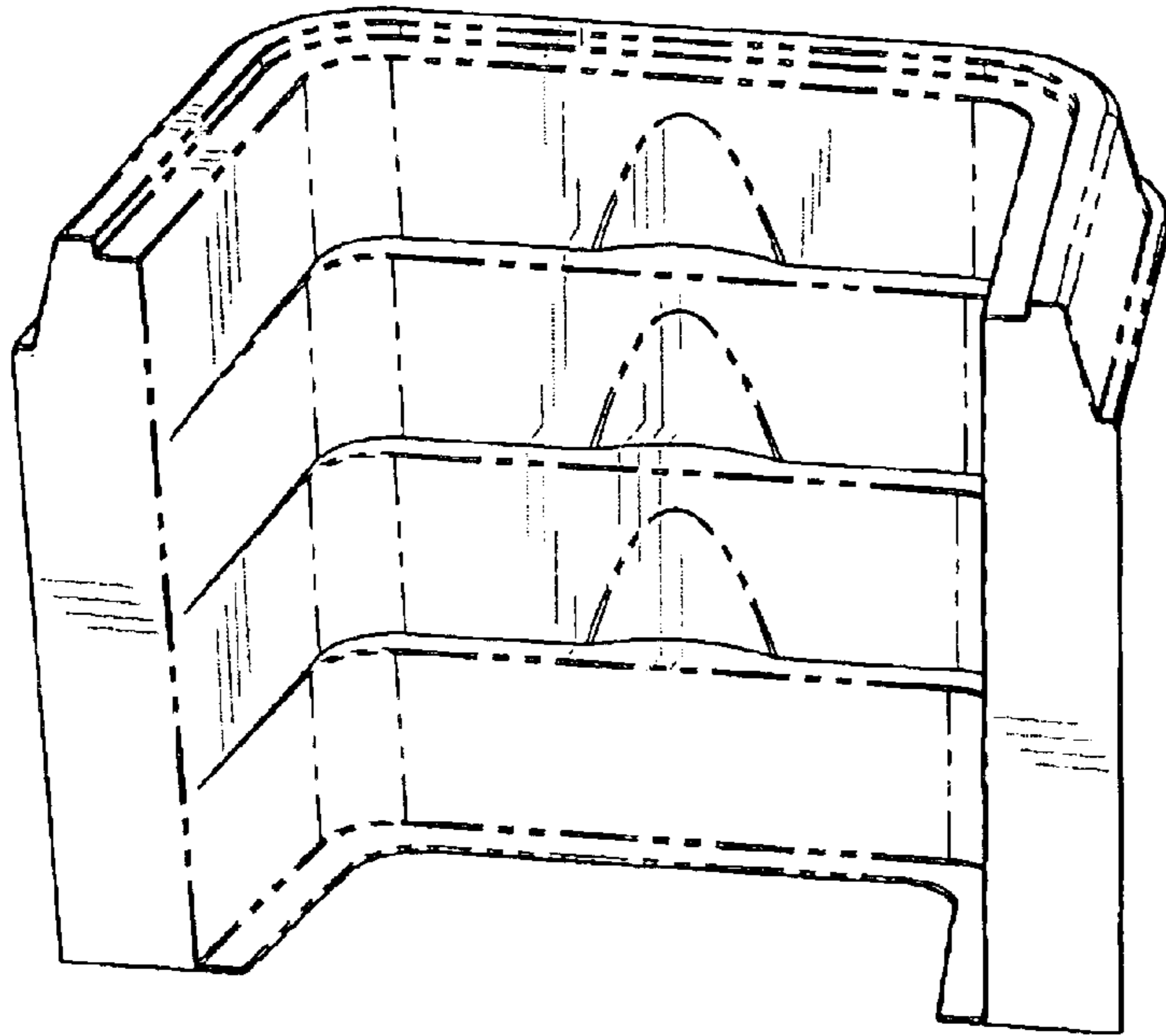


FIG. 1

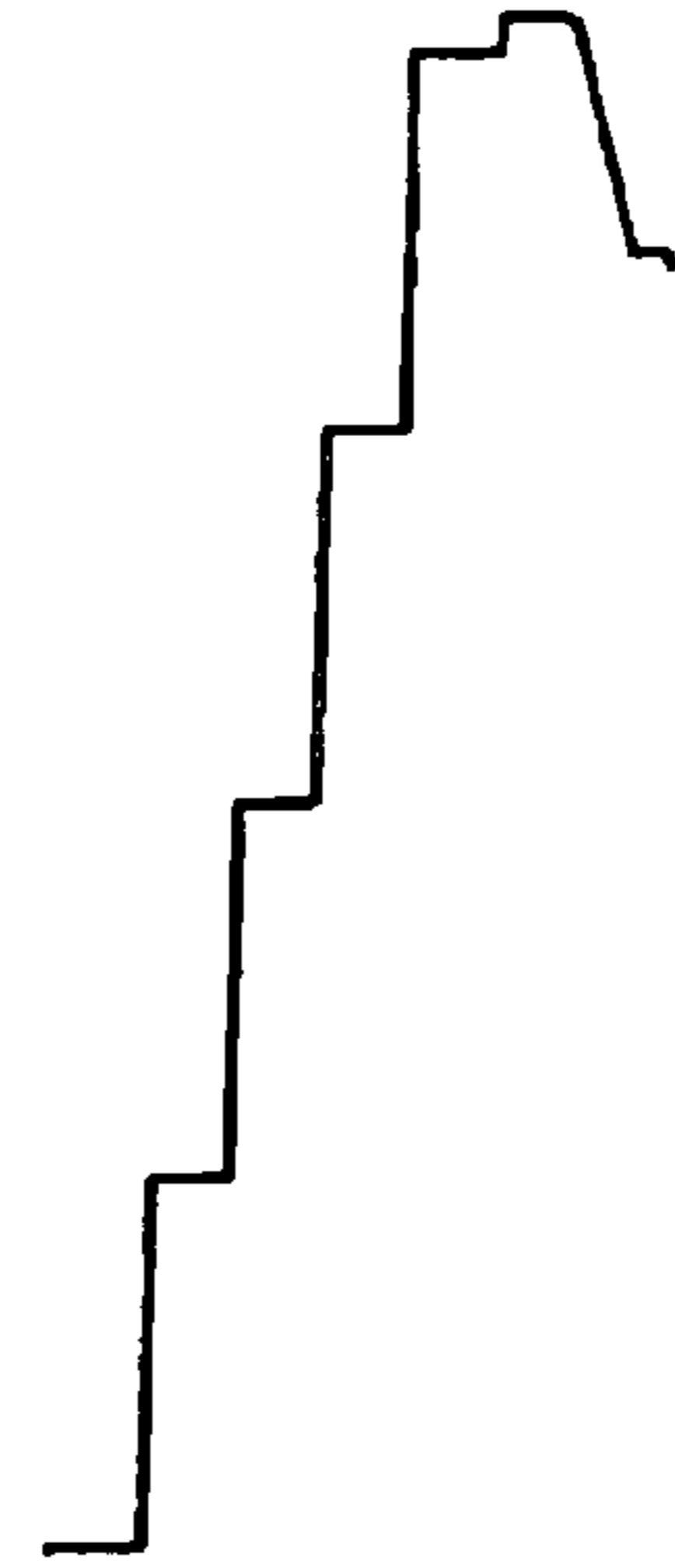


FIG. 3

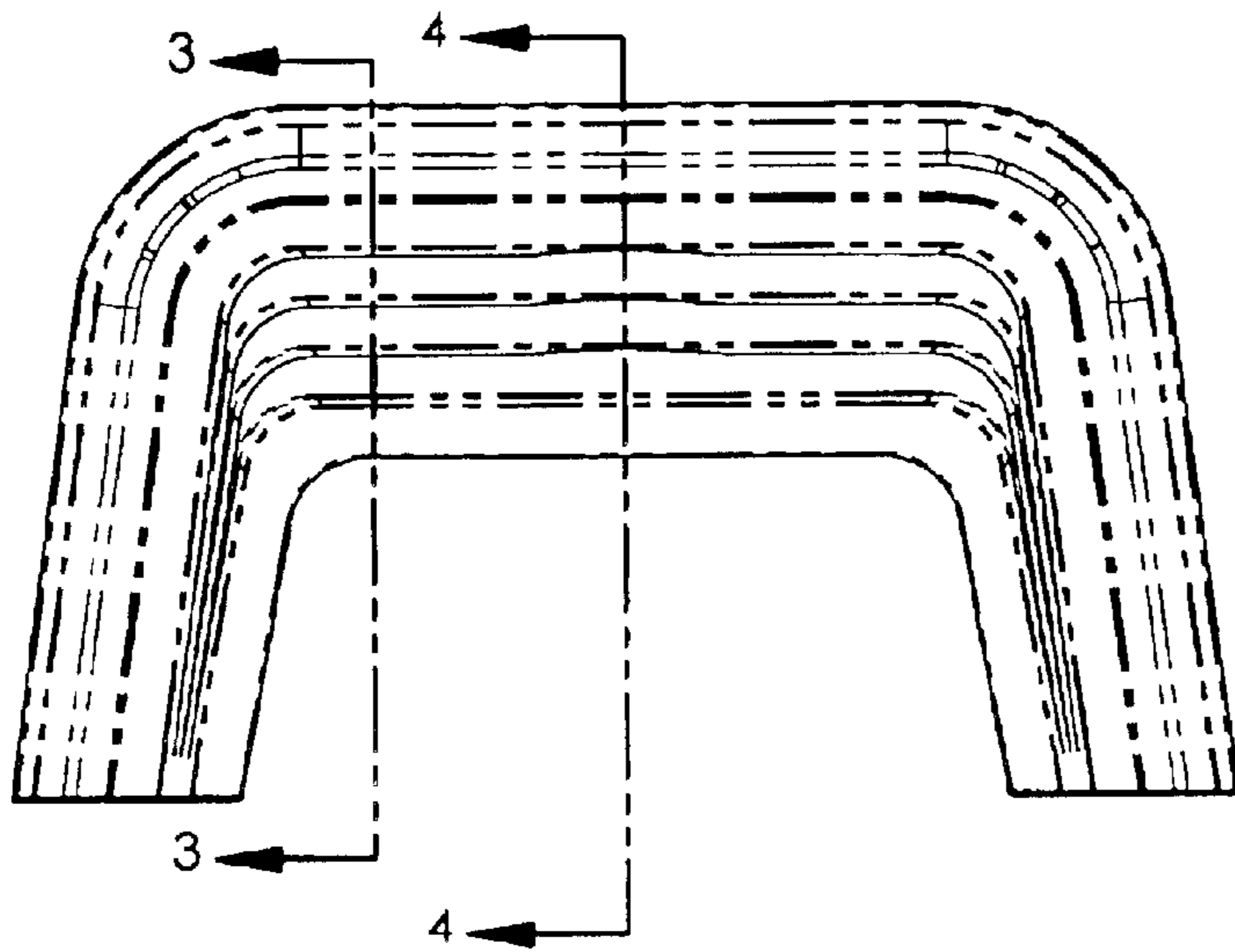


FIG. 2

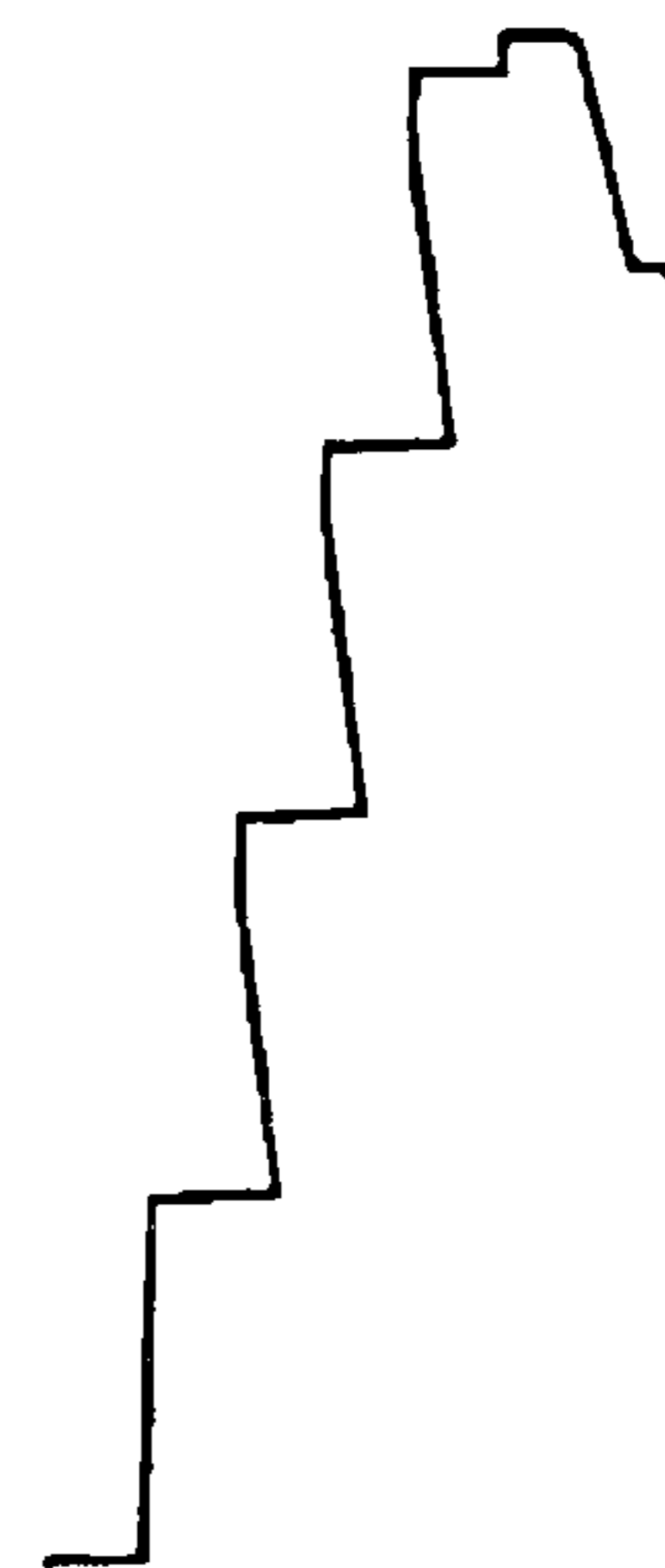


FIG. 4