

US00D498847S

(12) **United States Design Patent**
Castellini

(10) **Patent No.:** **US D498,847 S**

(45) **Date of Patent:** **** Nov. 23, 2004**

(54) **DENTAL UNIT**

(75) **Inventor:** **Franco Castellini**, Bologna (IT)

(73) **Assignee:** **Castellini, S.p.A.**, Bologna (IT)

(**) **Term:** **14 Years**

(21) **Appl. No.:** **29/191,177**

(22) **Filed:** **Oct. 2, 2003**

(51) **LOC (7) Cl.** **24-02**

(52) **U.S. Cl.** **D24/177**

(58) **Field of Search** D24/177; 433/25-30,
433/49-67, 75-150; 251/5, 331, 289

(56) **References Cited**

U.S. PATENT DOCUMENTS

- D378,416 S * 3/1997 LaPlante et al. D24/177
- 5,788,217 A * 8/1998 Austin et al. 251/289
- 6,322,358 B1 * 11/2001 Senn et al. 433/29
- D458,379 S * 6/2002 Brockway et al. D24/177

- 6,419,485 B1 * 7/2002 Pond 433/80
- 6,464,499 B1 * 10/2002 Lu 433/92
- 2003/0073053 A1 * 4/2003 Brockway et al. 433/77

* cited by examiner

Primary Examiner—Antoine D. Davis

(74) *Attorney, Agent, or Firm*—Fay, Sharpe, Fagan,
Minnich & McKee, LLP

(57) **CLAIM**

The ornamental design for dental unit, as shown and described.

DESCRIPTION

FIG. 1 is a perspective view,
FIG. 2 is a front face view,
FIG. 3 is a rear face view,
FIG. 4 is a right-hand side view,
FIG. 5 is a left-hand side view,
FIG. 6 is a top plan view; and,
FIG. 7 is a bottom plan view.

1 Claim, 4 Drawing Sheets

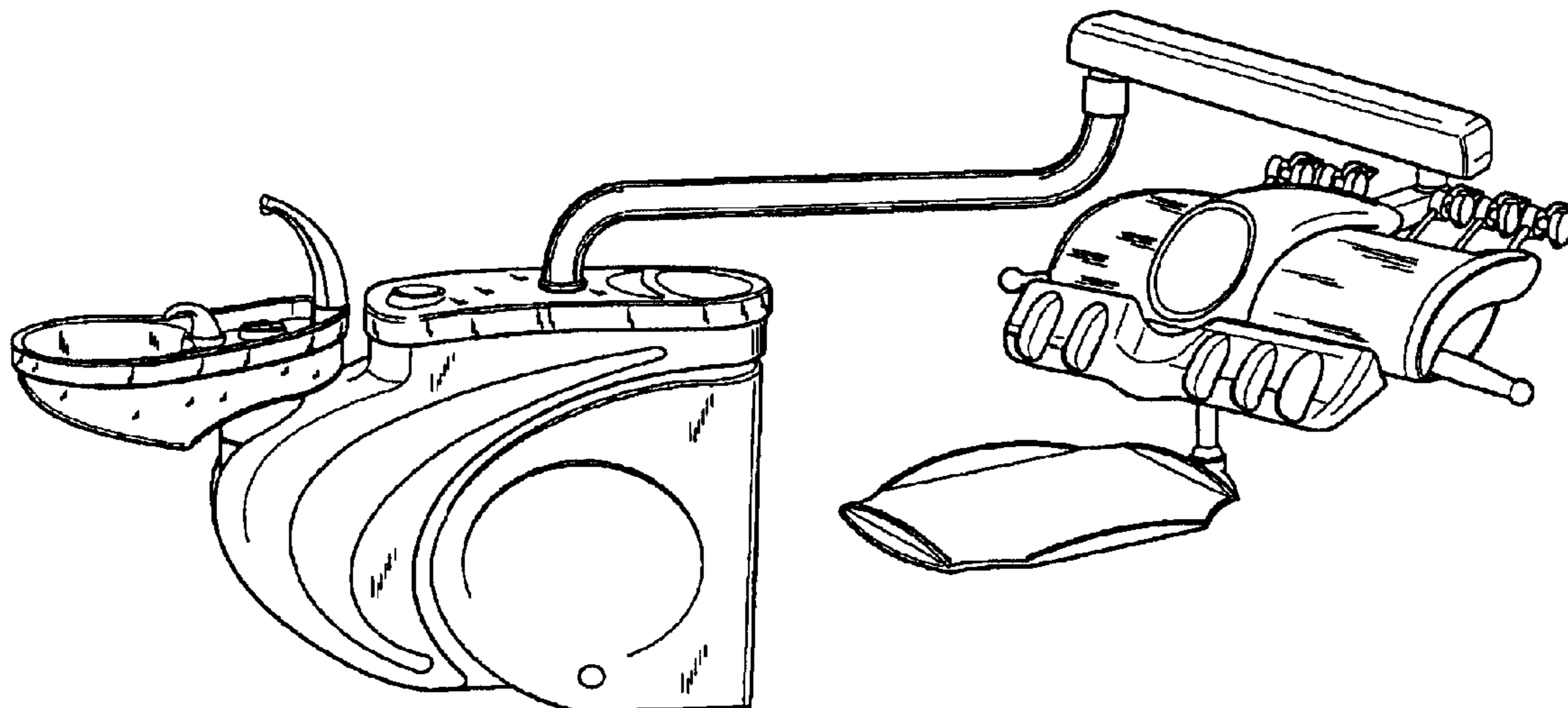


FIG. 1

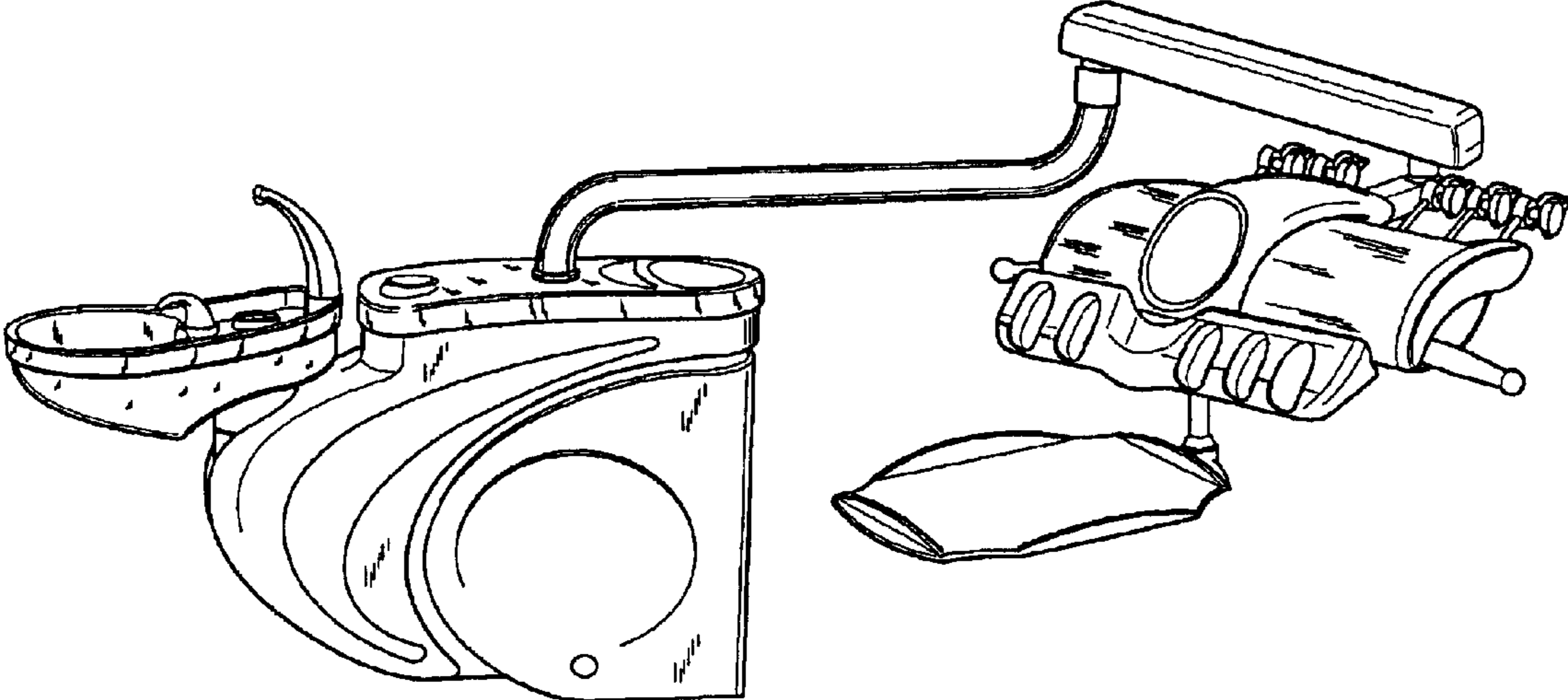


FIG. 2

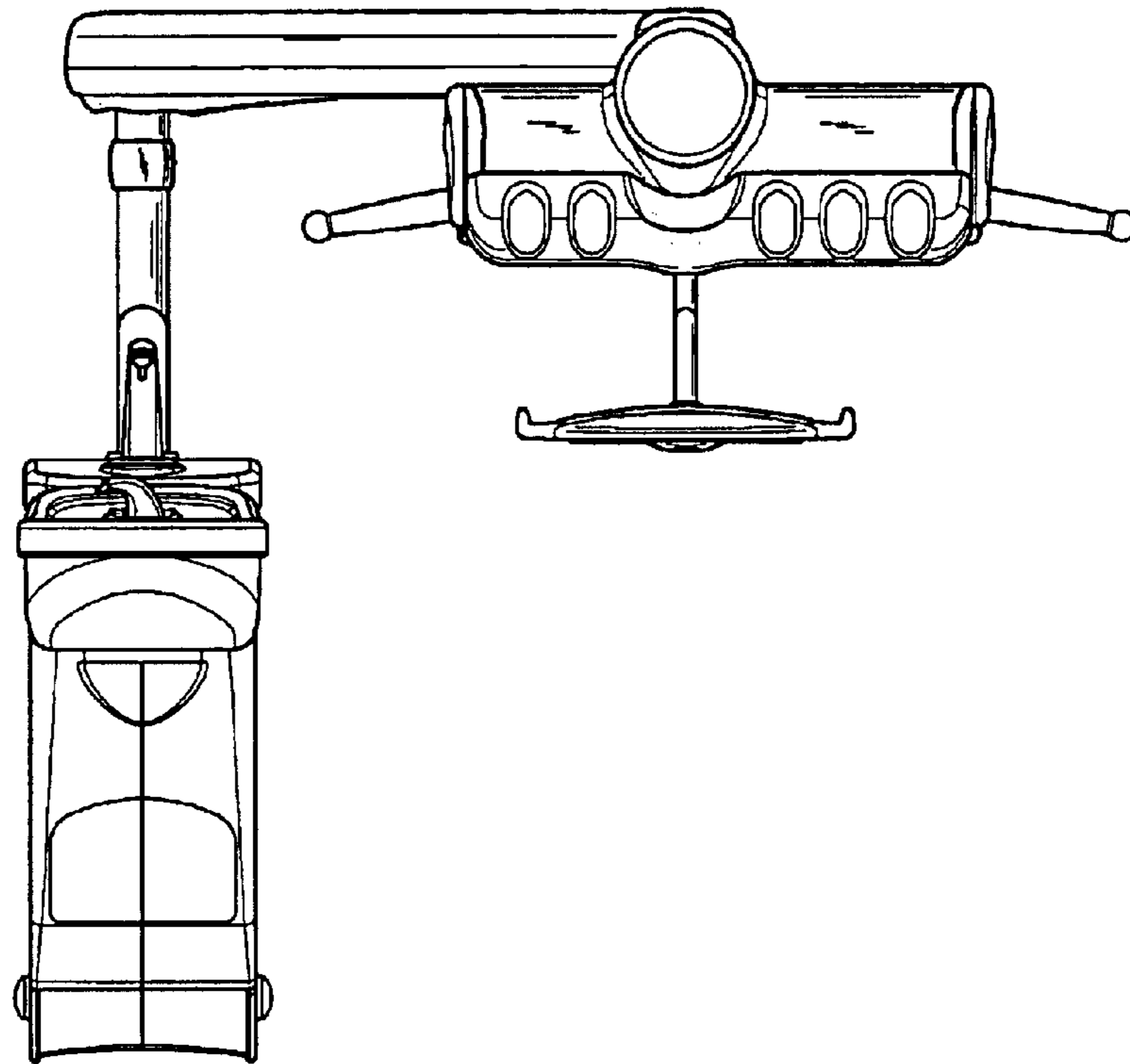


FIG. 3

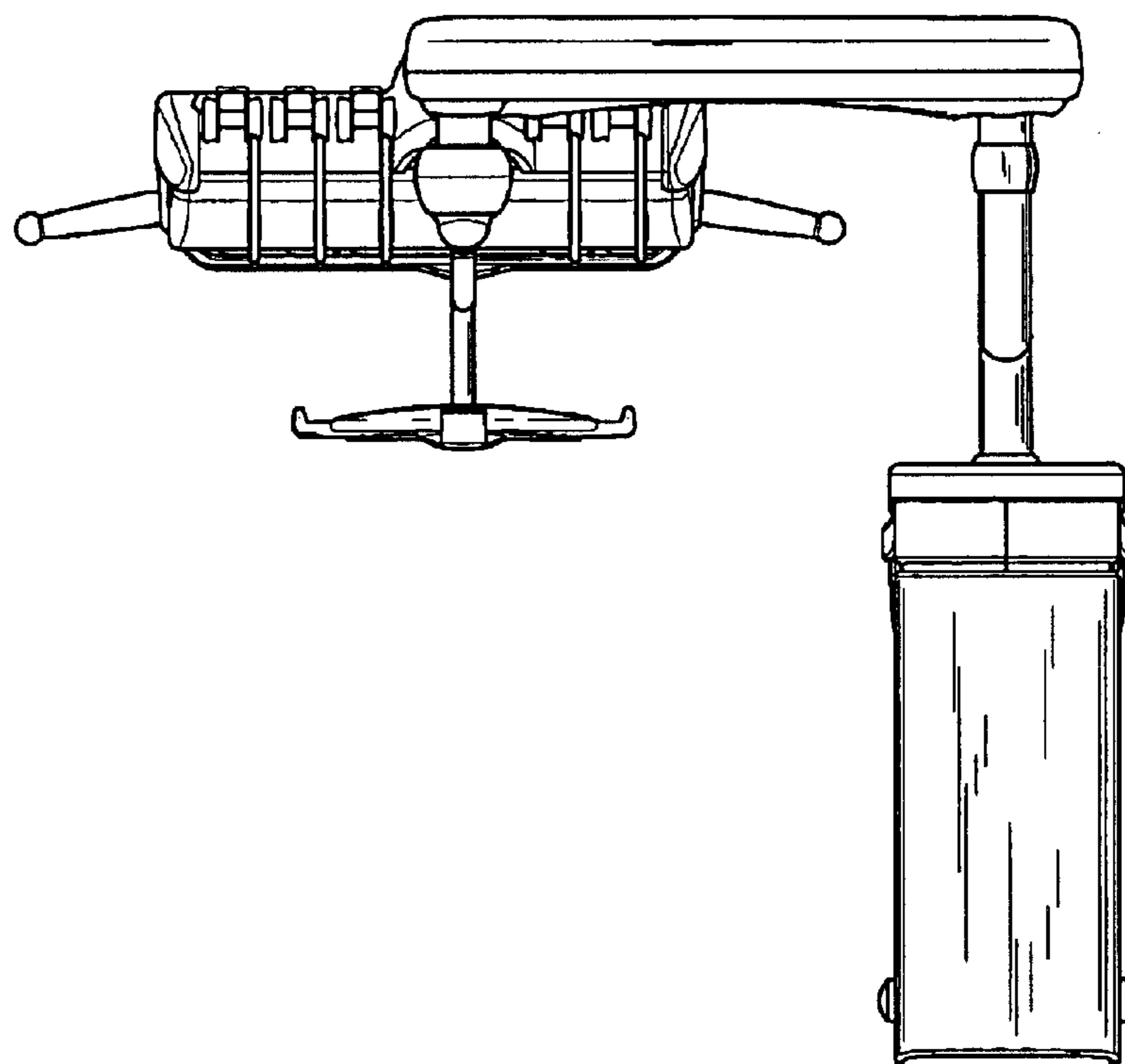


FIG. 4

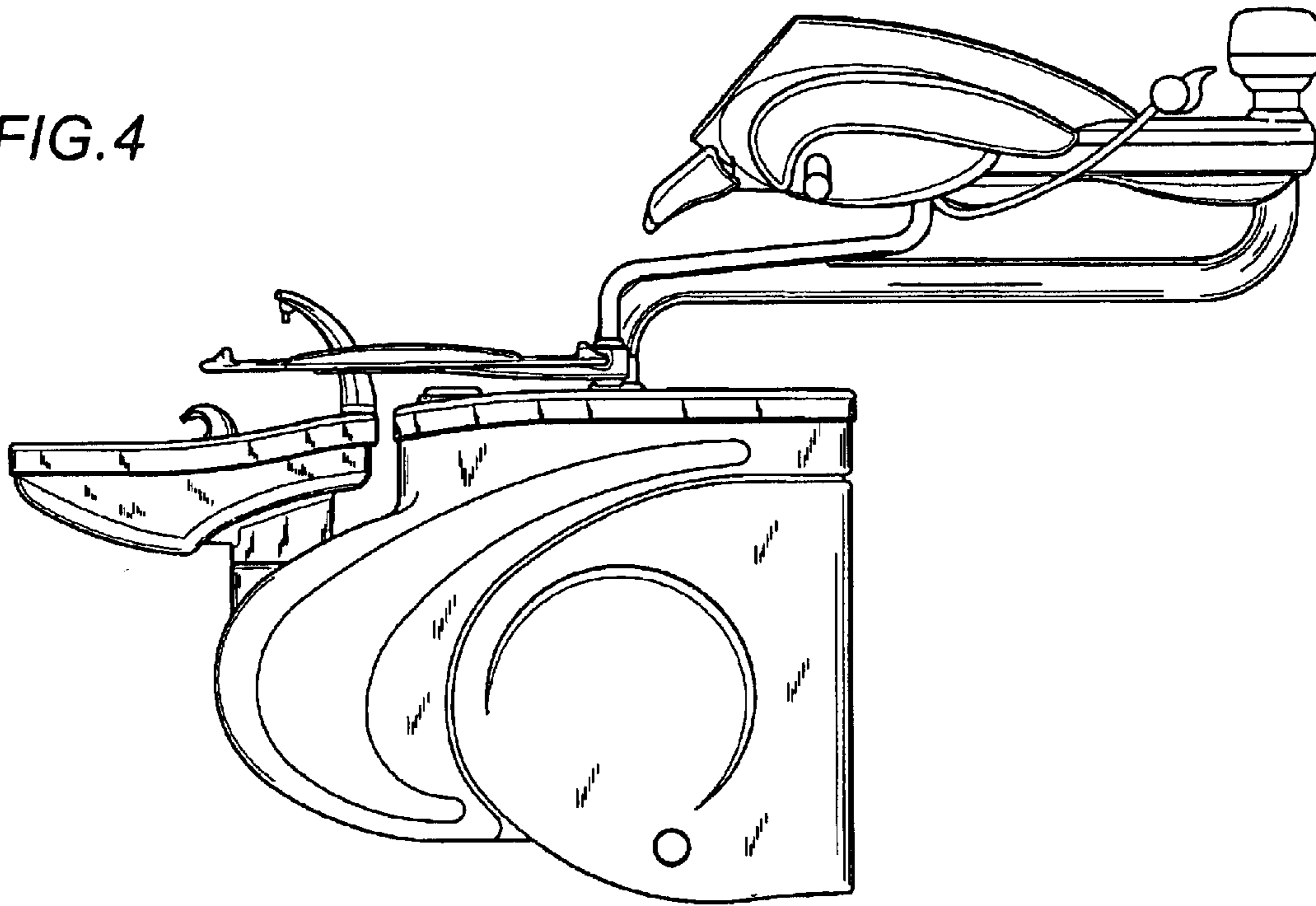


FIG. 5

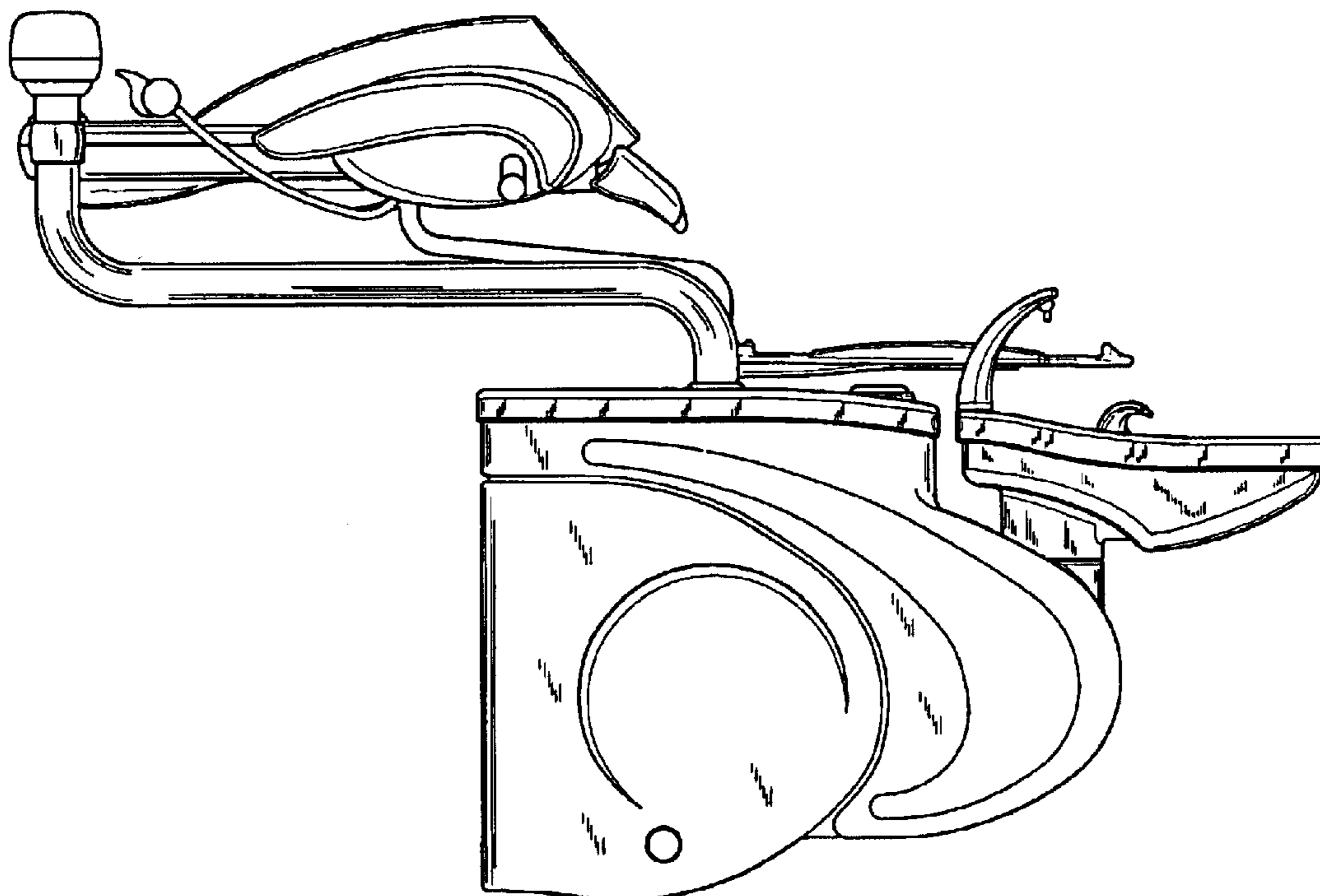


FIG. 6

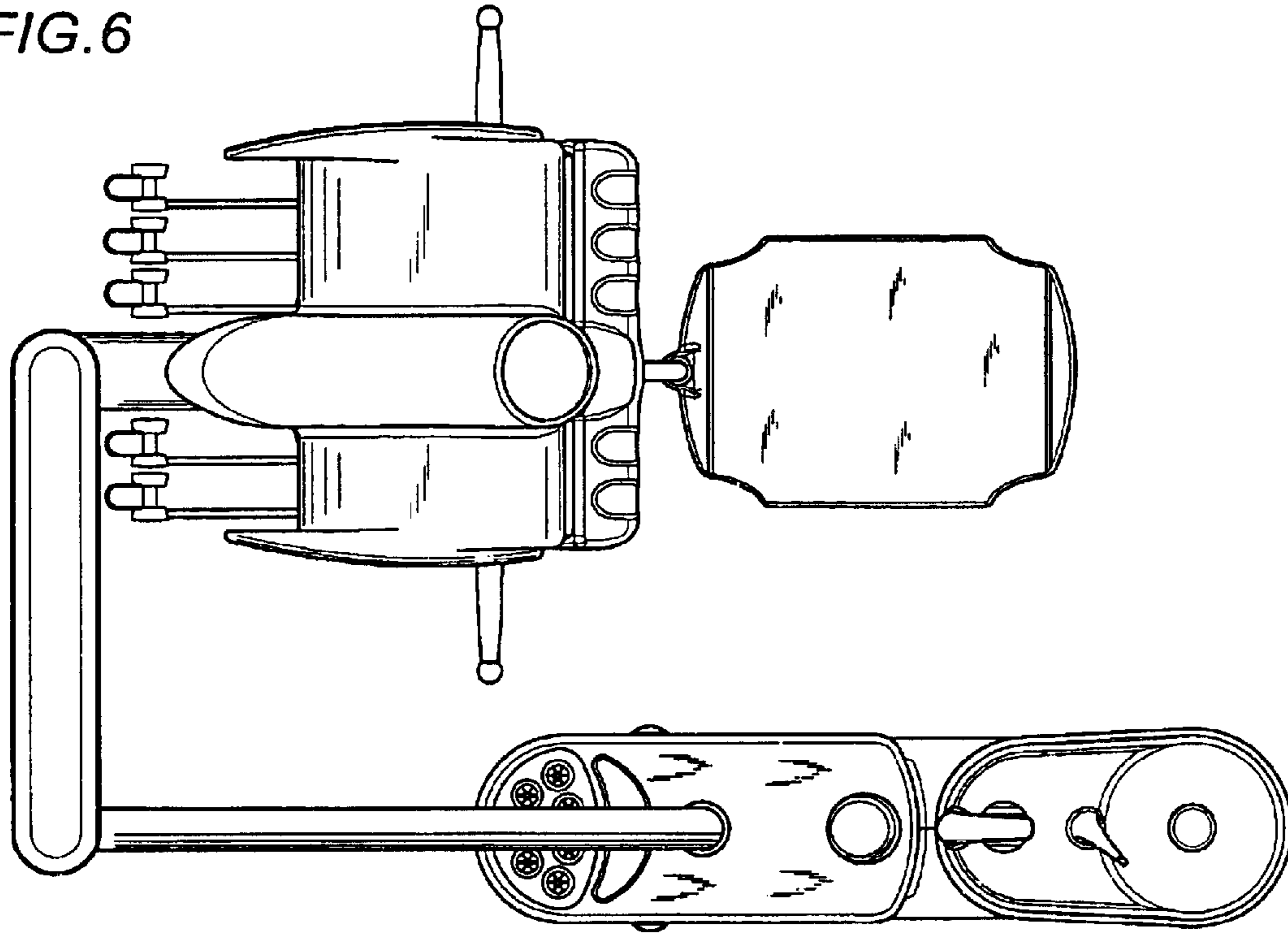


FIG. 7

