



US00D498831S

(12) **United States Design Patent** (10) **Patent No.:** **US D498,831 S**
Bayer et al. (45) **Date of Patent:** **** Nov. 23, 2004**

(54) **SINK**

(75) Inventors: **Michelle E. Bayer**, Plymouth, WI (US); **Christopher M. De Cleene**, Sheboygan, WI (US)

(73) Assignee: **Kohler Co.**, Kohler, WI (US)

(**) Term: **14 Years**

(21) Appl. No.: **29/174,551**

(22) Filed: **Jan. 20, 2003**

(51) **LOC (7) Cl.** **23-02**

(52) **U.S. Cl.** **D23/290**

(58) **Field of Search** D23/270–271,
D23/273, 284–285, 290–292, 293.1, 303,
308; 4/664–665, 619, 522, 623–624, 639–642,
650–651, 660–661

(56) **References Cited**

U.S. PATENT DOCUMENTS

D447,546 S	9/2001	McKeone	D23/293.1
D473,292 S	4/2003	Paredes	D23/290
D478,970 S	8/2003	Ziemann et al.	D23/290

OTHER PUBLICATIONS

2000 Kohler catalog ad, p. 16.47, showing a “Marcato” sink.
2000 Kohler catalog ad, p. 16.59, showing a “Ravinia” sink.
Undated Acriform catalog ad showing an “Advantage 2000” sink, admitted prior art.

Primary Examiner—Robert A. Delehanty
(74) *Attorney, Agent, or Firm*—Quarles & Brady LLP

(57) **CLAIM**

The ornamental design for a sink, as shown and described.

DESCRIPTION

In a preferred embodiment, the nature of this product is as a plumbing fixture primarily useful for washing various objects.

FIG. 1 is a left, top, front perspective view of a sink embodying our new design;

FIG. 2 is a top plan view thereof;

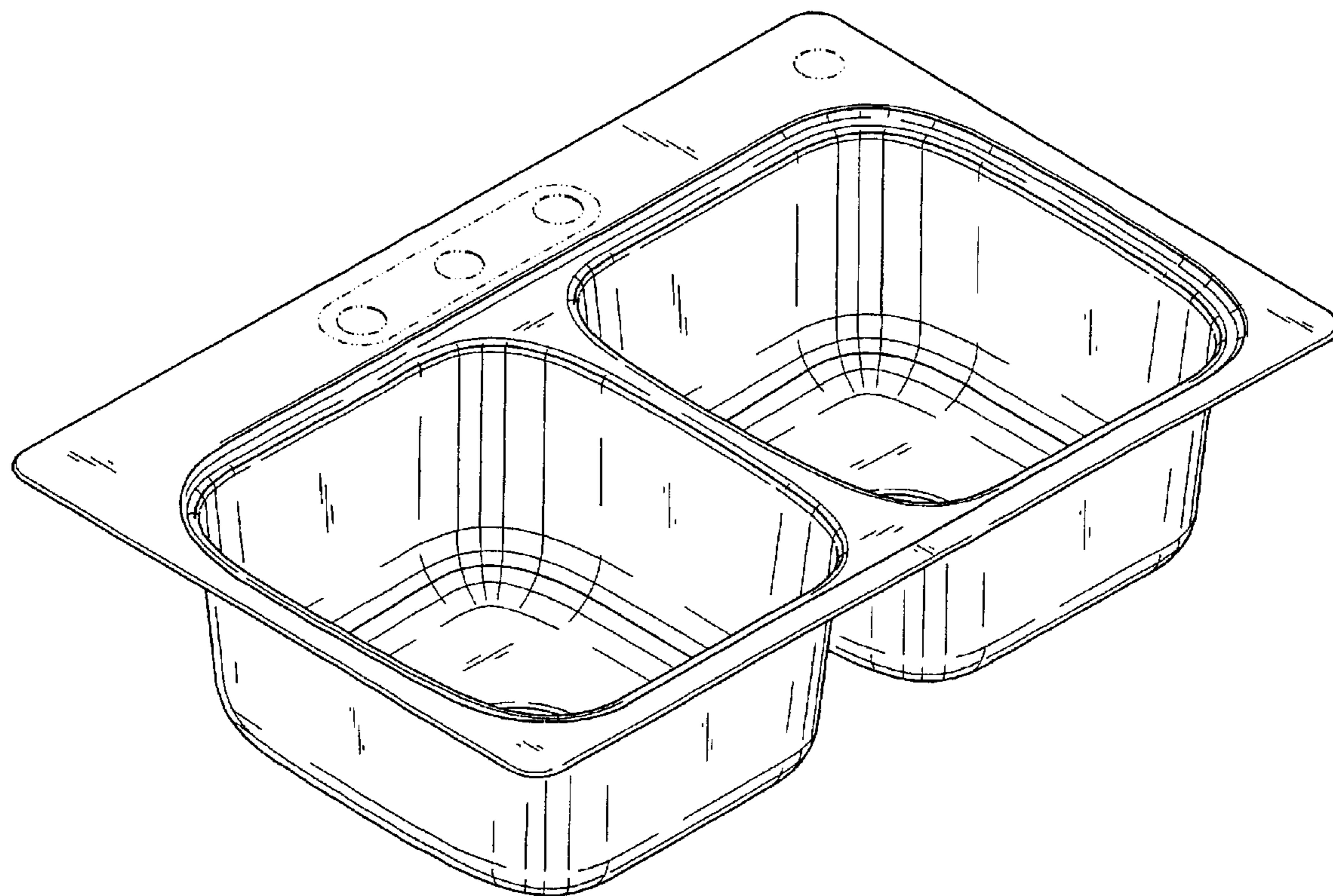
FIG. 3 is a front elevational view thereof, the rear elevational view being identical to the front elevational view shown;

FIG. 4 is a left side elevational view thereof, the right side elevational view being a mirror image of the left side shown; and,

FIG. 5 is a bottom plan view thereof.

The broken line representations of holes in FIGS. 1, 2, and 5 are for the purpose of illustration only, and form no part of the claimed design.

1 Claim, 3 Drawing Sheets



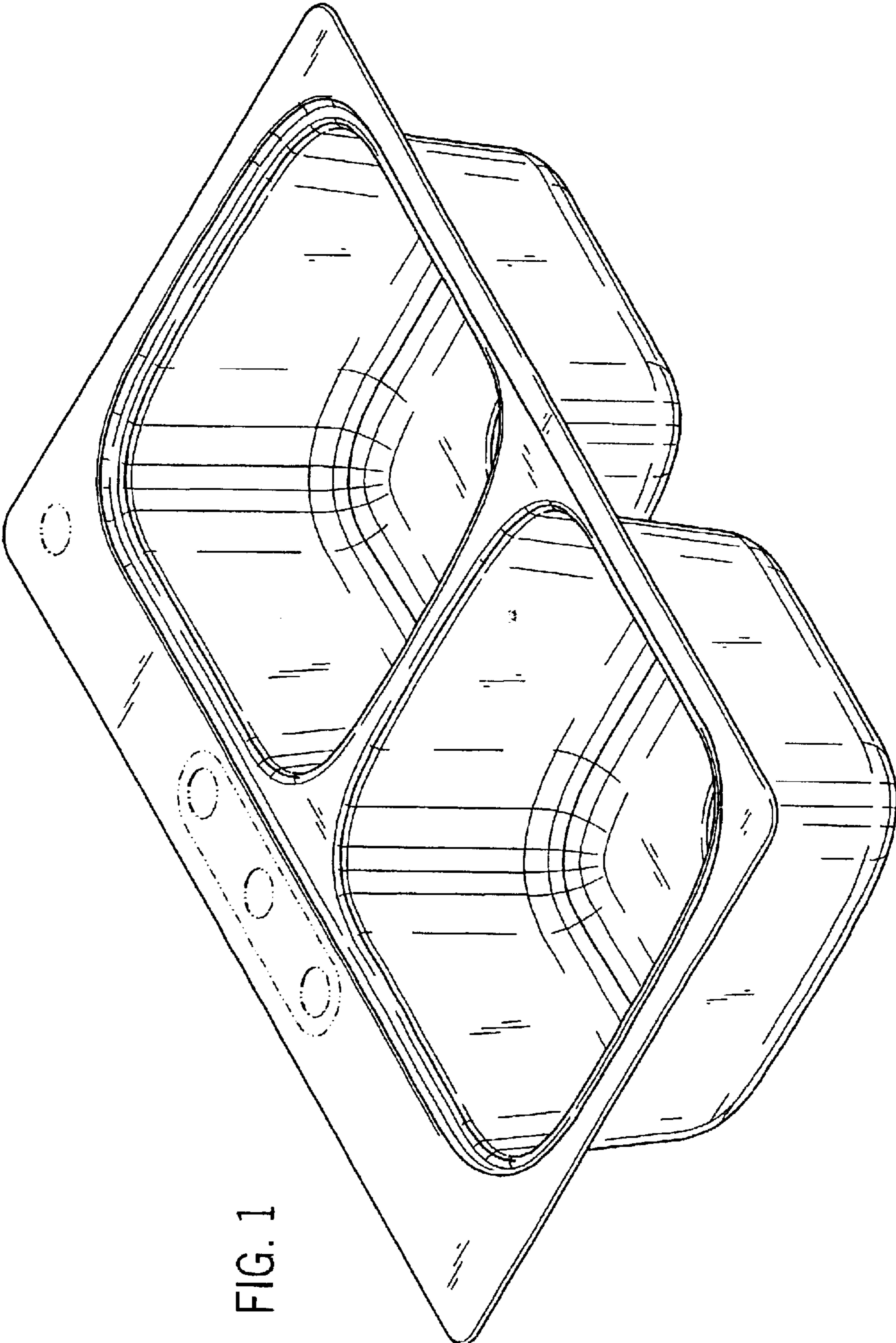


FIG. 1

FIG. 2

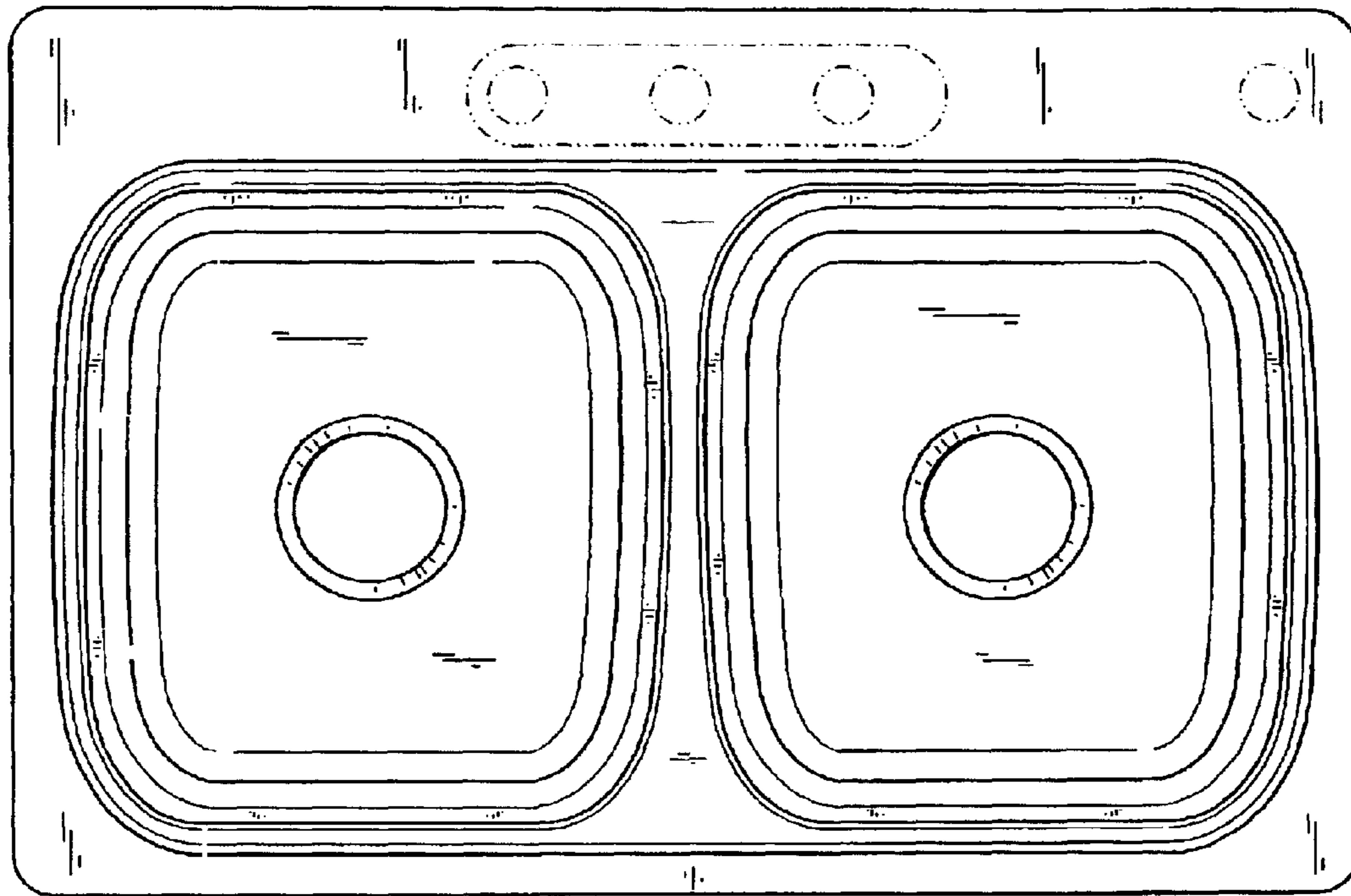


FIG. 3

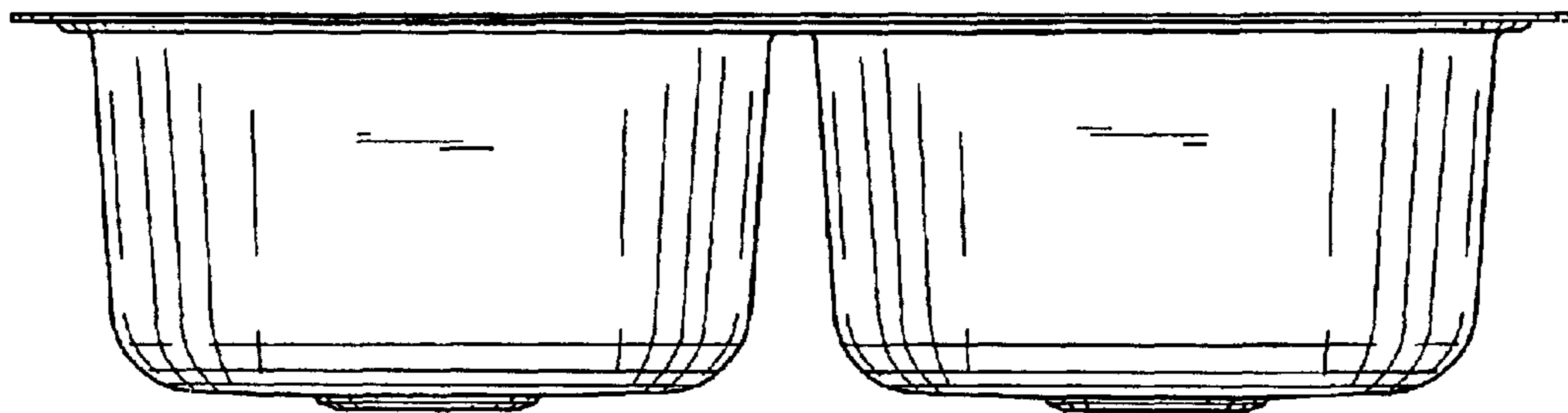


FIG. 4

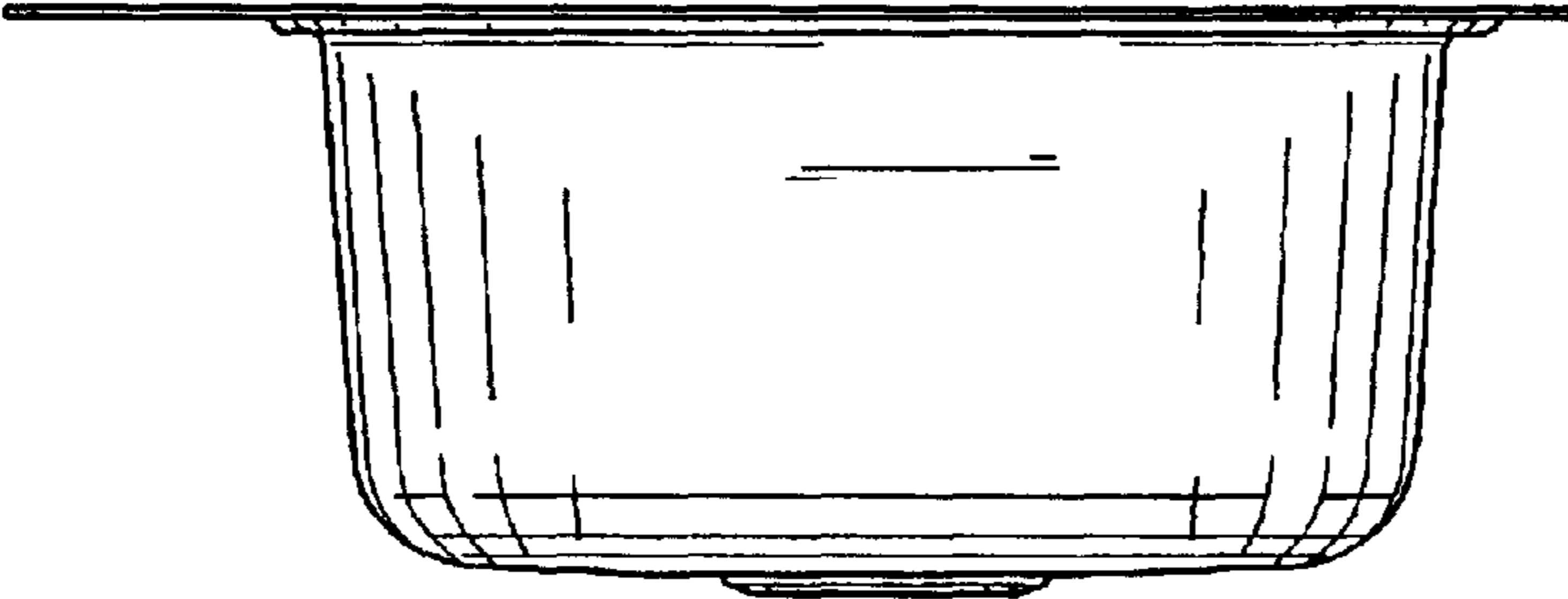


FIG. 5

