



US00D498824S

(12) **United States Design Patent**
Lin

(10) **Patent No.:** **US D498,824 S**

(45) **Date of Patent:** **** Nov. 23, 2004**

(54) **FAUCET HANDLE**

(75) **Inventor:** **Shih Hung Lin**, Taichung (TW)

(73) **Assignee:** **Globe Union Industrial Corp.**,
Taichung Export Processing Zone (TW)

(**) **Term:** **14 Years**

(21) **Appl. No.:** **29/185,166**

(22) **Filed:** **Jun. 25, 2003**

(51) **LOC (7) Cl.** **23-51**

(52) **U.S. Cl.** **D23/252**

(58) **Field of Search** D23/238-243,
D23/245, 250-257; D8/300-322, 350-353,
DIG. 3; 16/110.1; 4/675-678; 137/801

(56) **References Cited**

U.S. PATENT DOCUMENTS

D292,226 S * 10/1987 Hill et al. D23/252
D458,347 S * 6/2002 Mullenmeister D23/252

D475,767 S * 6/2003 Yegyayan et al. D23/252

* cited by examiner

Primary Examiner—Louis S. Zarfes

Assistant Examiner—Gregory Andoll

(74) *Attorney, Agent, or Firm*—Leong C. Lei

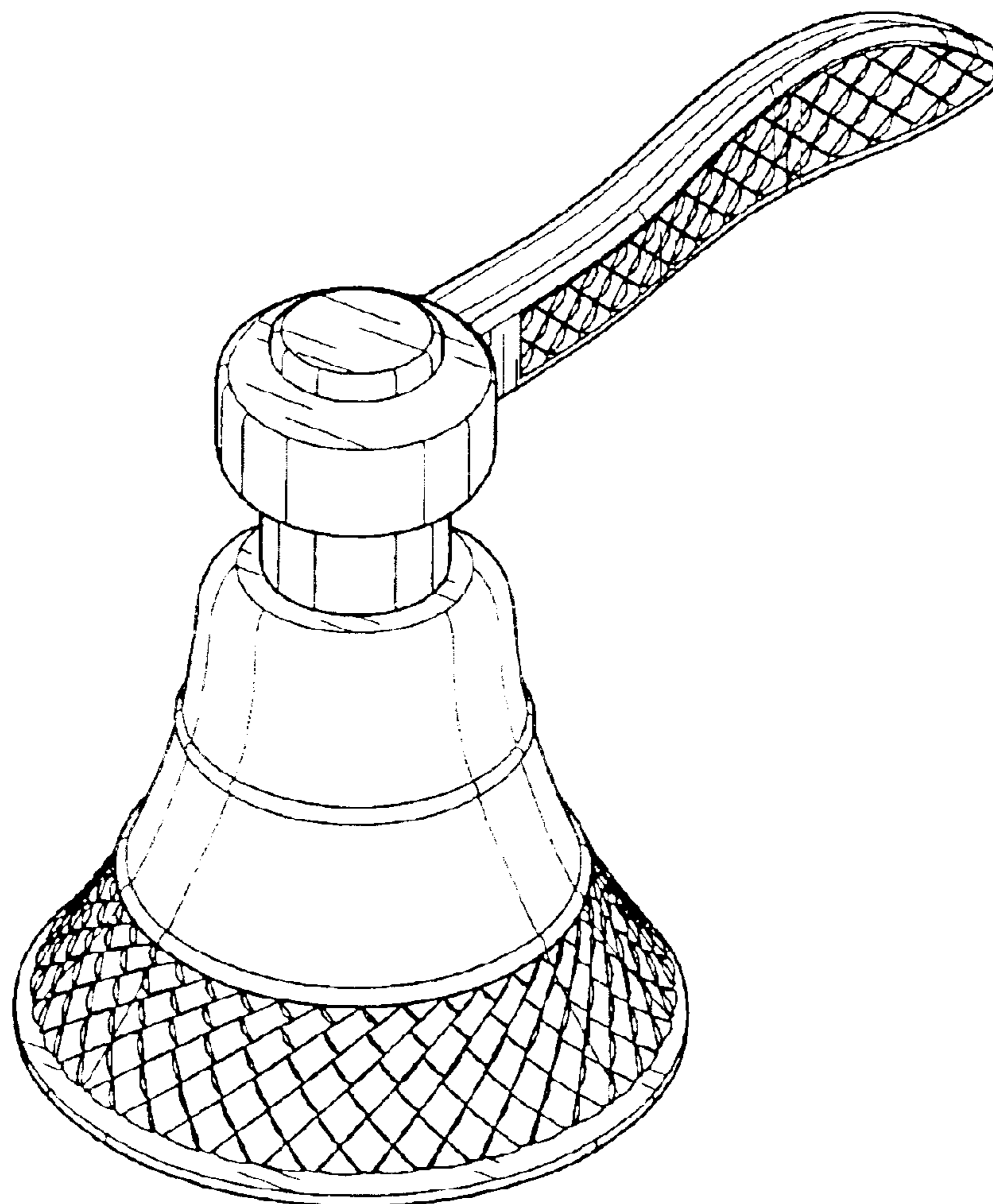
(57) **CLAIM**

The ornamental design for a faucet handle, as shown and described.

DESCRIPTION

FIG. 1 is perspective view of a faucet handle showing my new design;
FIG. 2 is a front side elevation view thereof;
FIG. 3 is a rear side elevation view thereof;
FIG. 4 is a left side elevation view thereof;
FIG. 5 is a right side elevation view thereof;
FIG. 6 is a top plan view thereof; and,
FIG. 7 is a bottom plan view thereof.

1 Claim, 4 Drawing Sheets



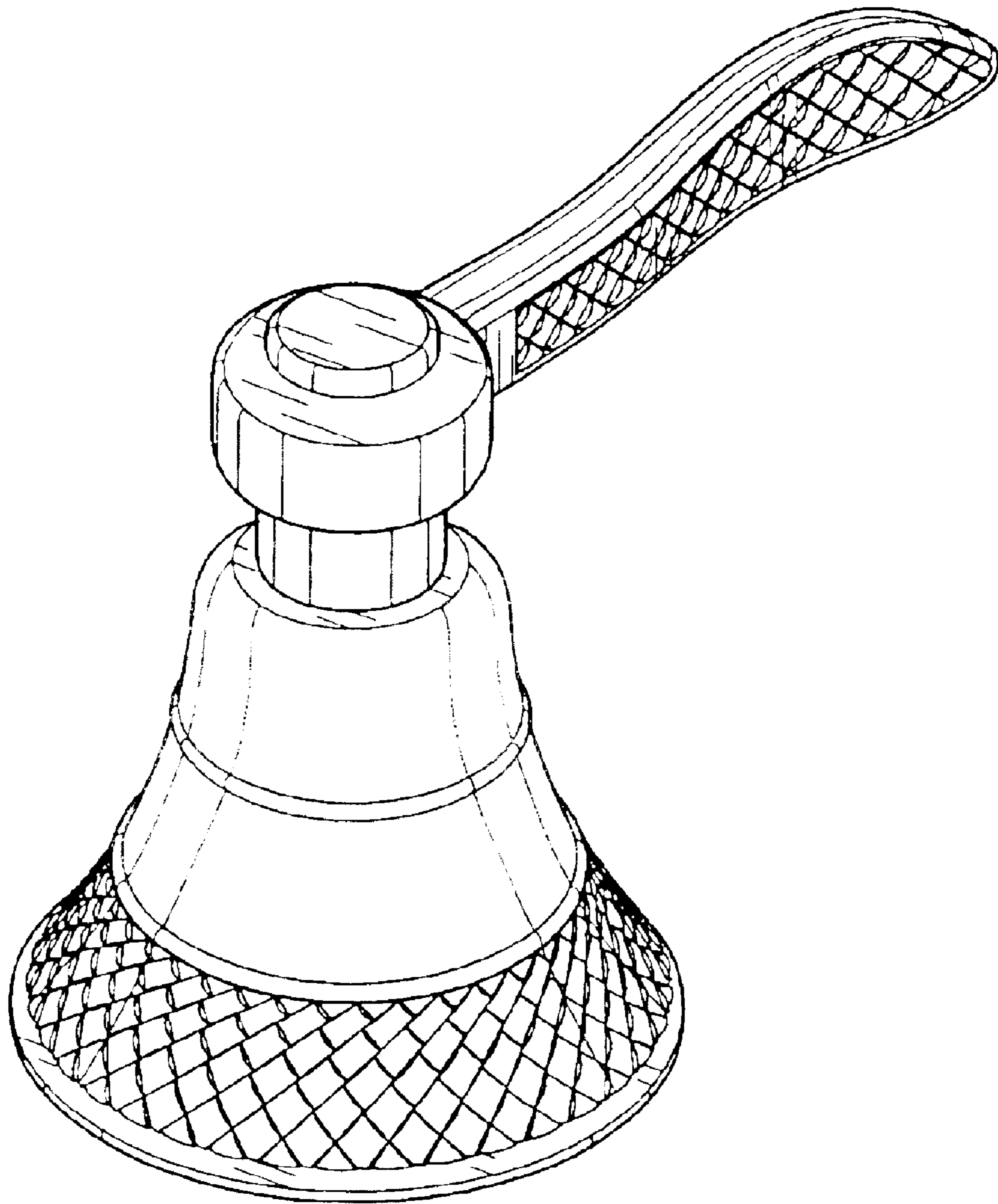


FIG. 1

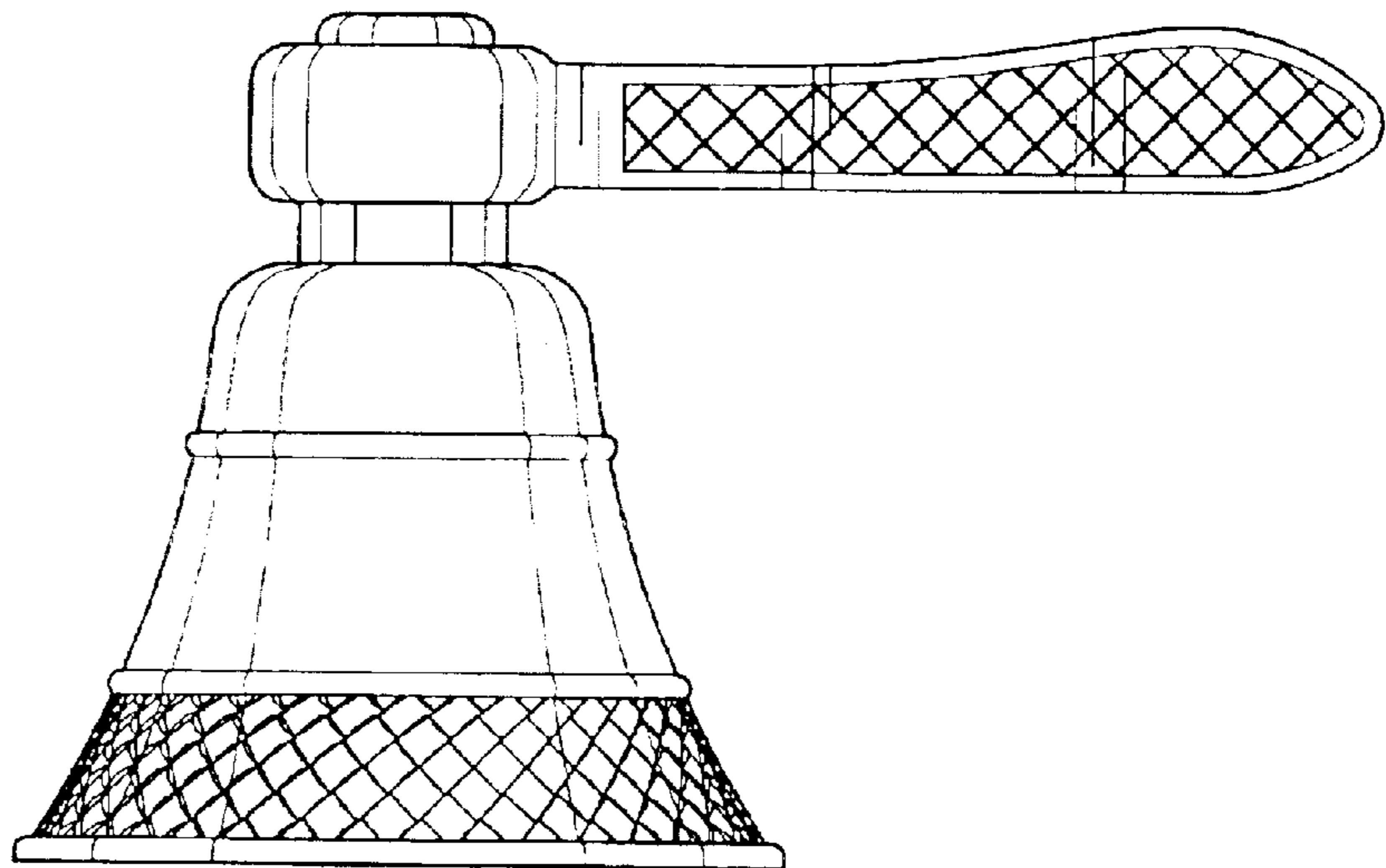


FIG. 2

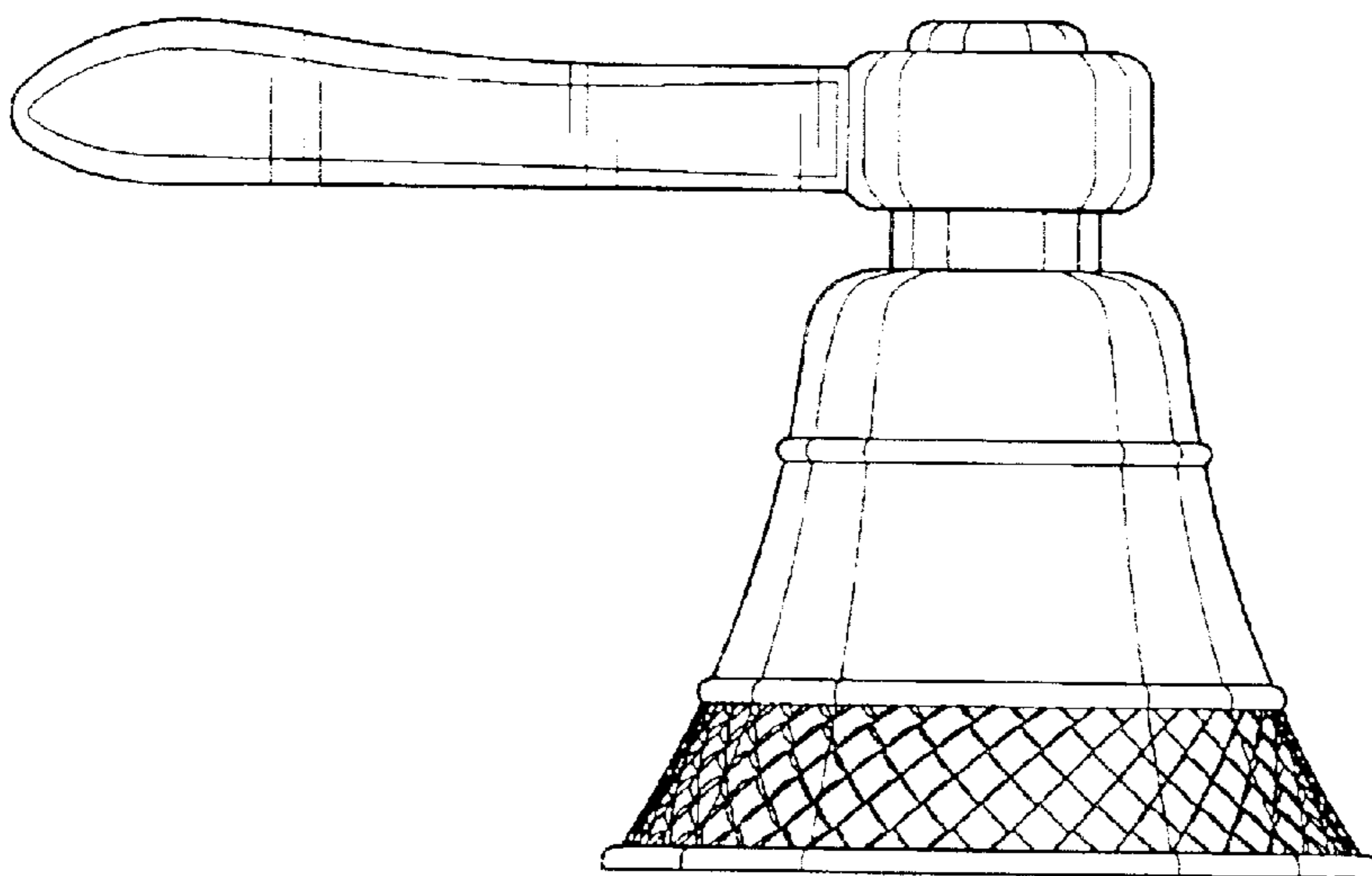


FIG. 3

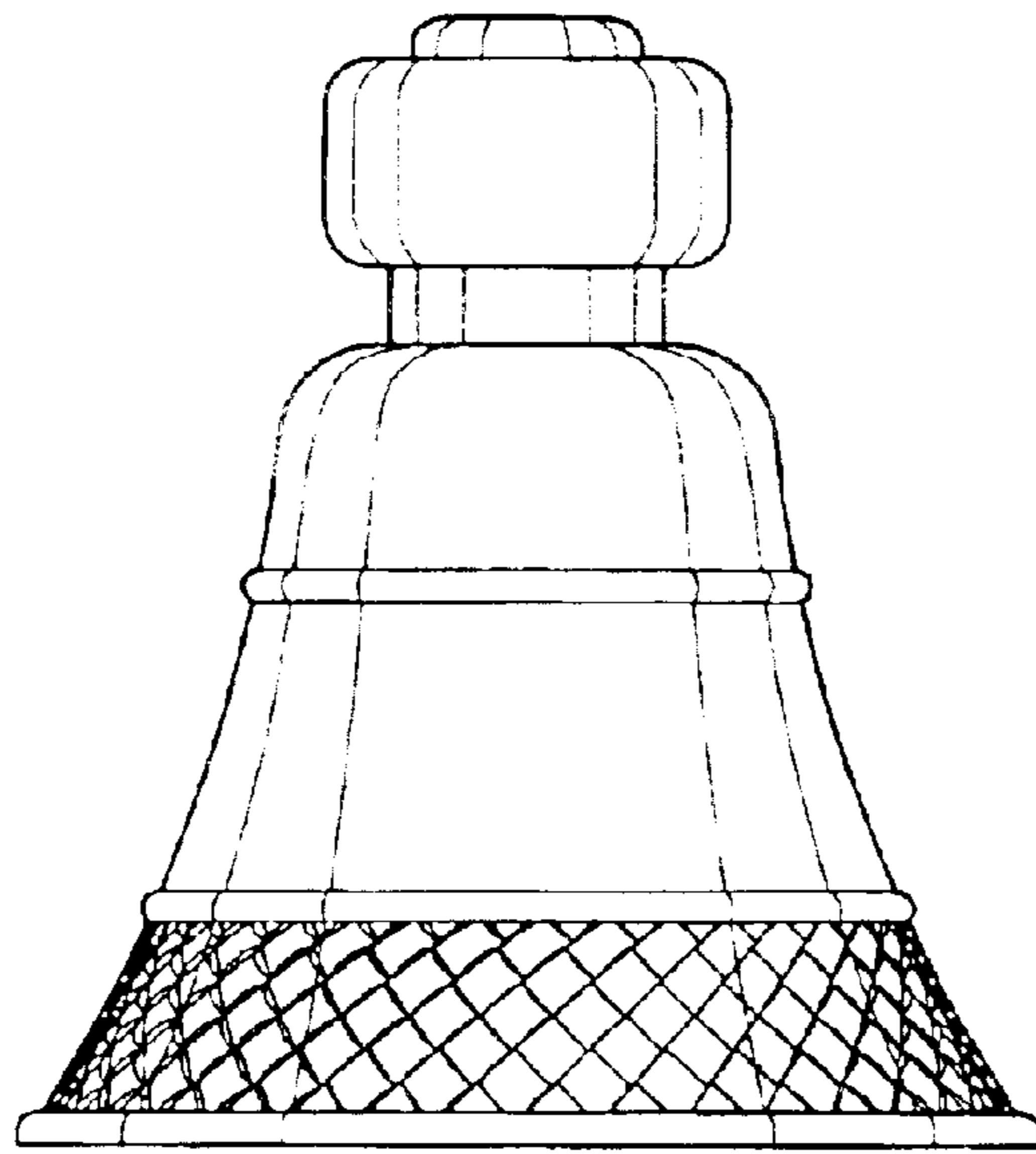


FIG. 4

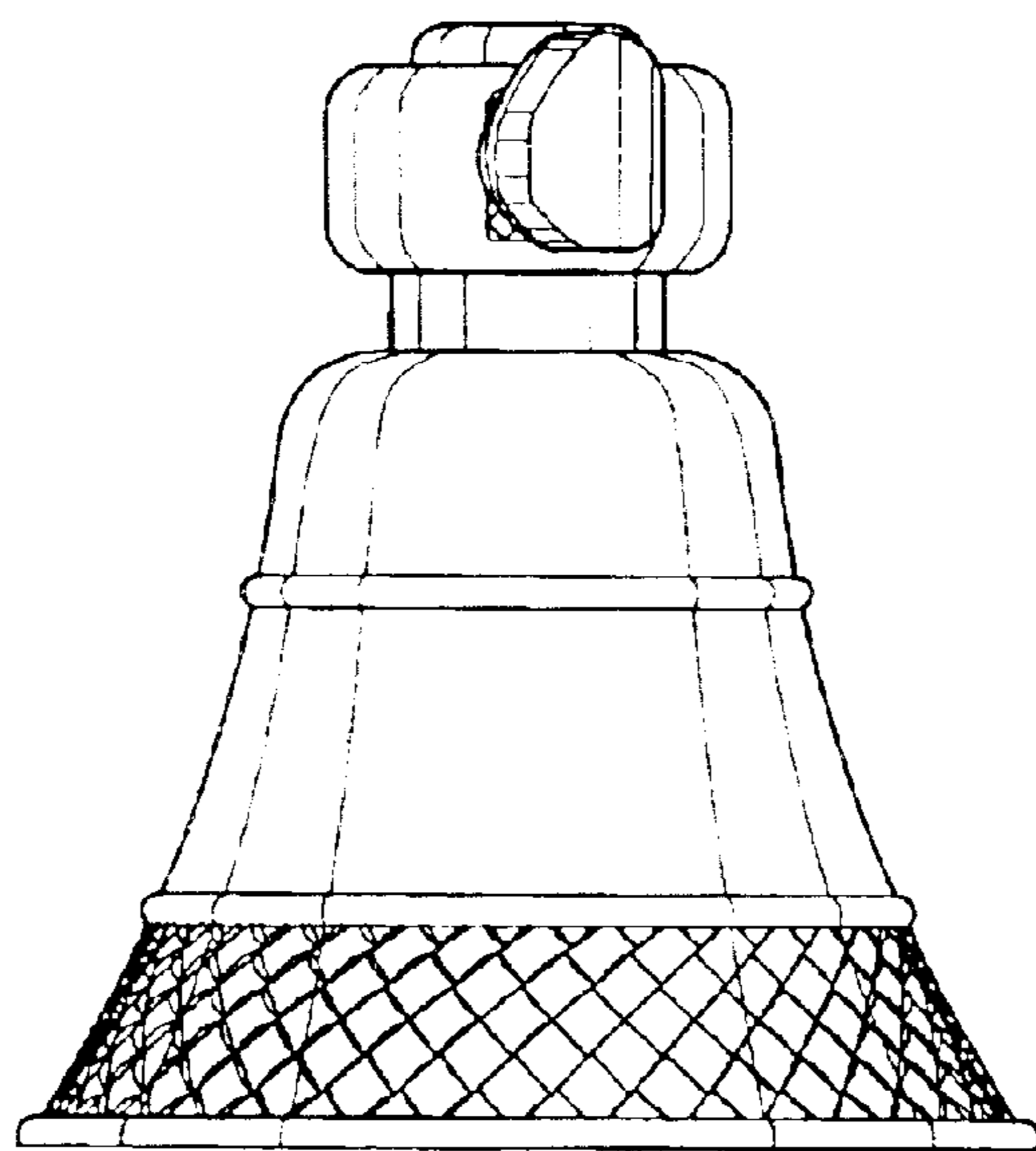


FIG. 5

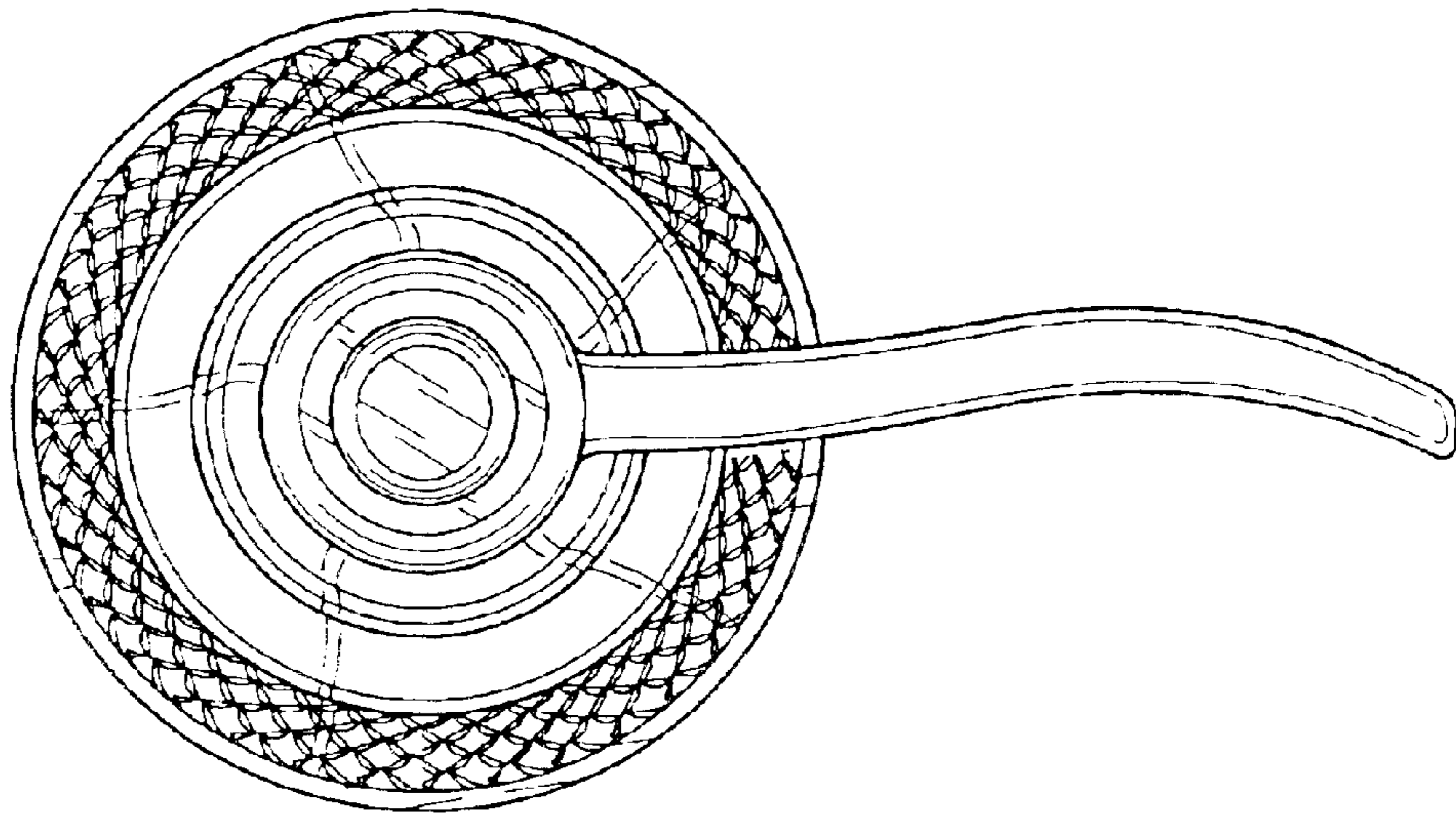


FIG. 6

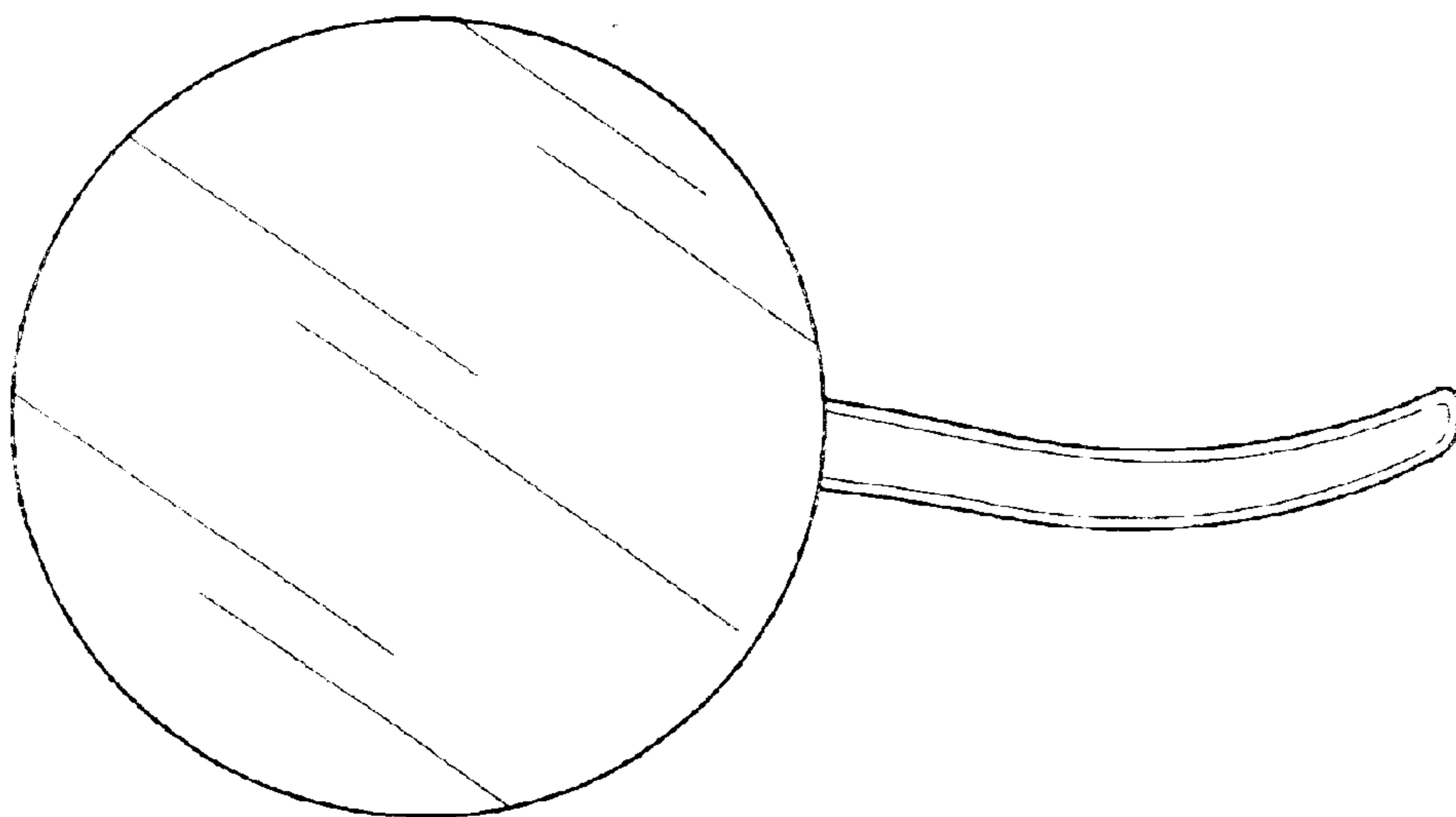


FIG. 7