



US00D498821S

(12) **United States Design Patent**  
Nortier

(10) **Patent No.:** **US D498,821 S**

(45) **Date of Patent:** **\*\* Nov. 23, 2004**

(54) **ACTUATOR HOUSING FOR A FLUSH VALVE**

(75) **Inventor:** **Richard A. Nortier**, Westchester, IL  
(US)

(73) **Assignee:** **Sloan Valve Company**, Franklin Park,  
IL (US)

(\*\*) **Term:** **14 Years**

(21) **Appl. No.:** **29/197,782**

(22) **Filed:** **Jan. 20, 2004**

(51) **LOC (7) Cl.** ..... **23-01**

(52) **U.S. Cl.** ..... **D23/249**

(58) **Field of Search** ..... D23/249, 233-237,  
D23/244-248, 260; D9/454; 138/96, 96 T;  
137/1, 218, 549-550, 554; 251/40, 30.01,  
30.02, 30.03

(56) **References Cited**

**U.S. PATENT DOCUMENTS**

1,570,830	A	*	1/1926	Hagey et al.	.....	137/624.14
2,928,645	A	*	3/1960	Loveland	.....	251/58
3,180,352	A	*	4/1965	Kersten et al.	.....	137/218
4,260,128	A	*	4/1981	Tito	.....	251/58
D286,907	S	*	11/1986	Hilpert et al.	.....	D23/249
D287,268	S	*	12/1986	Hilpert et al.	.....	D23/249

5,288,052	A	*	2/1994	Black et al.	.....	251/30.01
5,551,473	A	*	9/1996	Lin et al.	.....	137/218
D470,222	S	*	2/2003	Nortier	.....	D23/233
6,547,211	B2	*	4/2003	Roman	.....	251/30.01
D480,450	S	*	10/2003	Saadi et al.	.....	D23/249

\* cited by examiner

*Primary Examiner*—Nelson C. Holtje

(74) *Attorney, Agent, or Firm*—Cook, Alex, McFarron,  
Manzo, Cummings & Mehler, Ltd.

(57) **CLAIM**

The ornamental design for a actuator housing for a flush valve, as shown and described.

**DESCRIPTION**

FIG. 1 is a perspective view of my new design for an actuator housing for a flush valve;  
FIG. 2 is a left end elevation view thereof, the right end being a mirror image of the left end;  
FIG. 3 is a front elevation view thereof;  
FIG. 4 is a rear elevation view thereof; and,  
FIG. 5 is a top plan view thereof, the bottom view being a mirror image of the top view.

The broken line showing of the flushometer housing in FIG. 1 is for illustrative purposes only and forms no part of the claimed design.

**1 Claim, 1 Drawing Sheet**

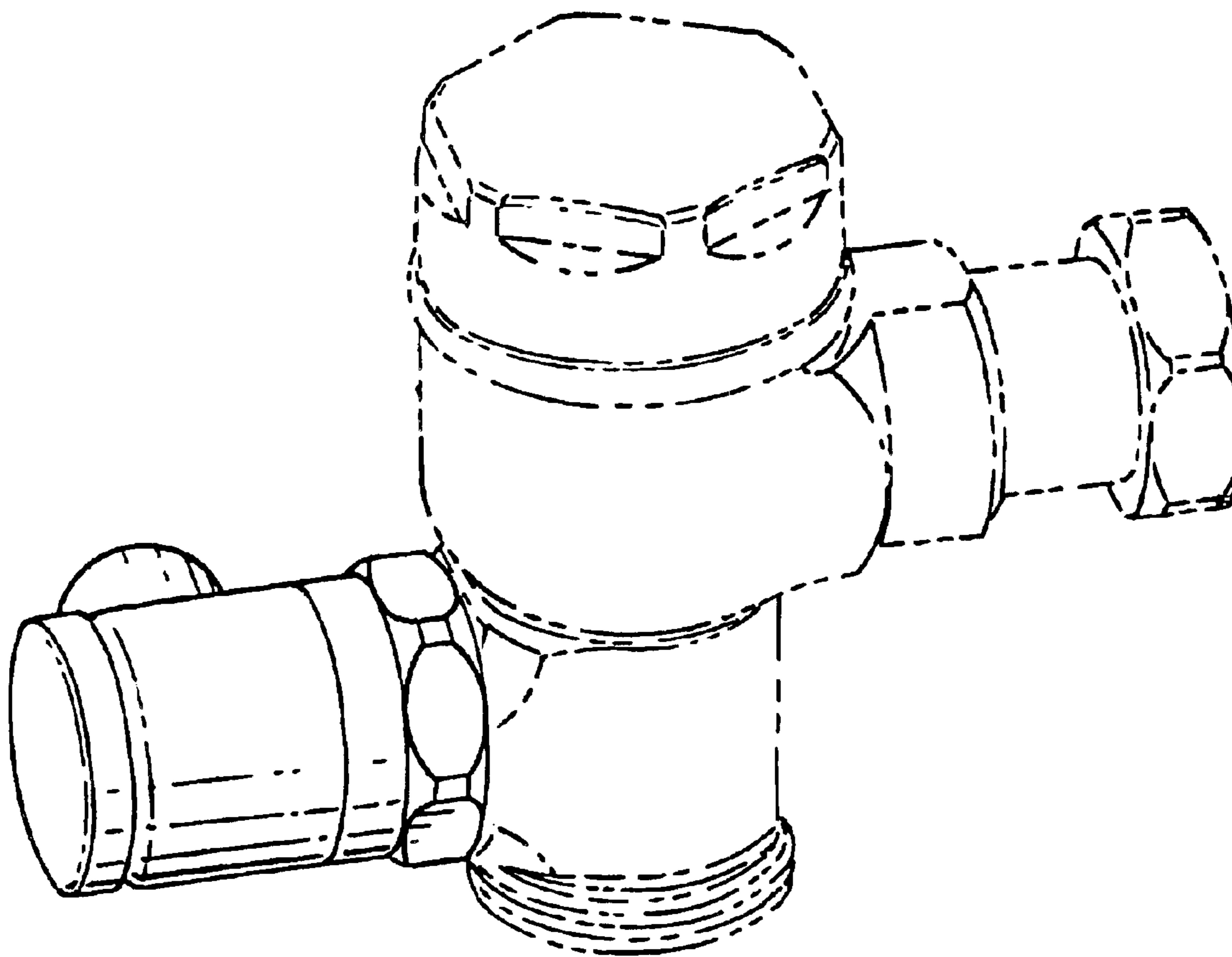


Fig. 1.

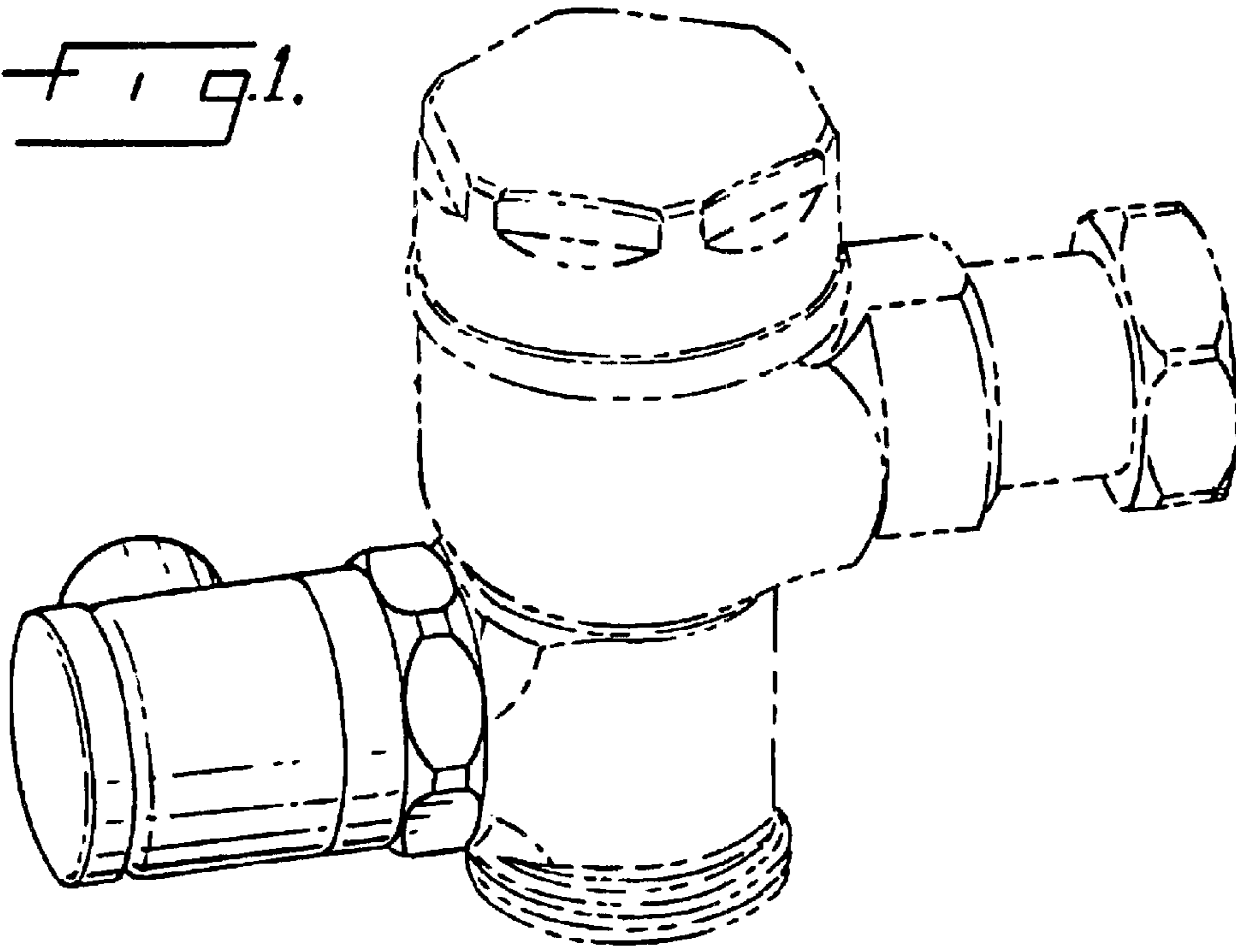


Fig. 2.

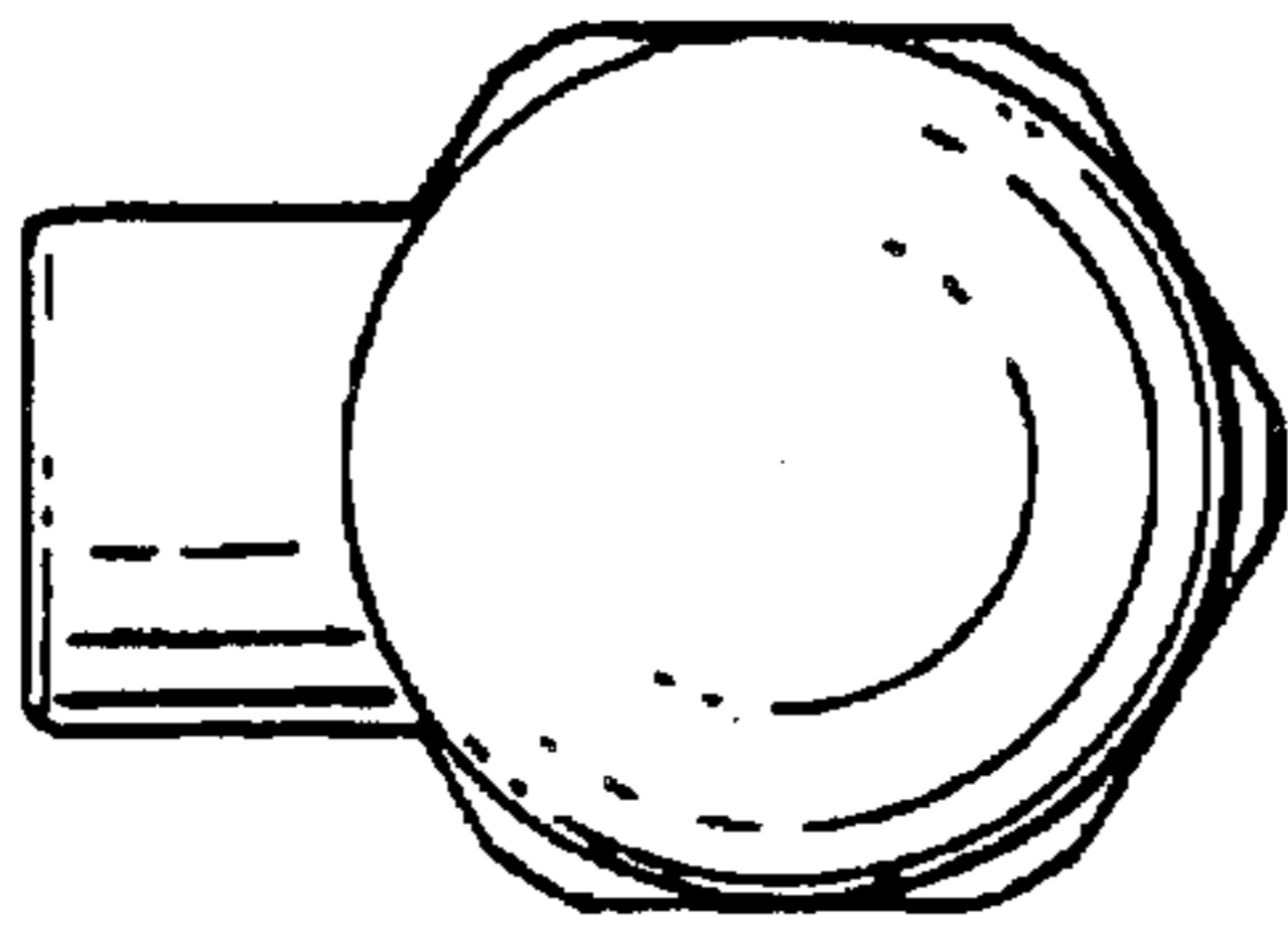


Fig. 3.

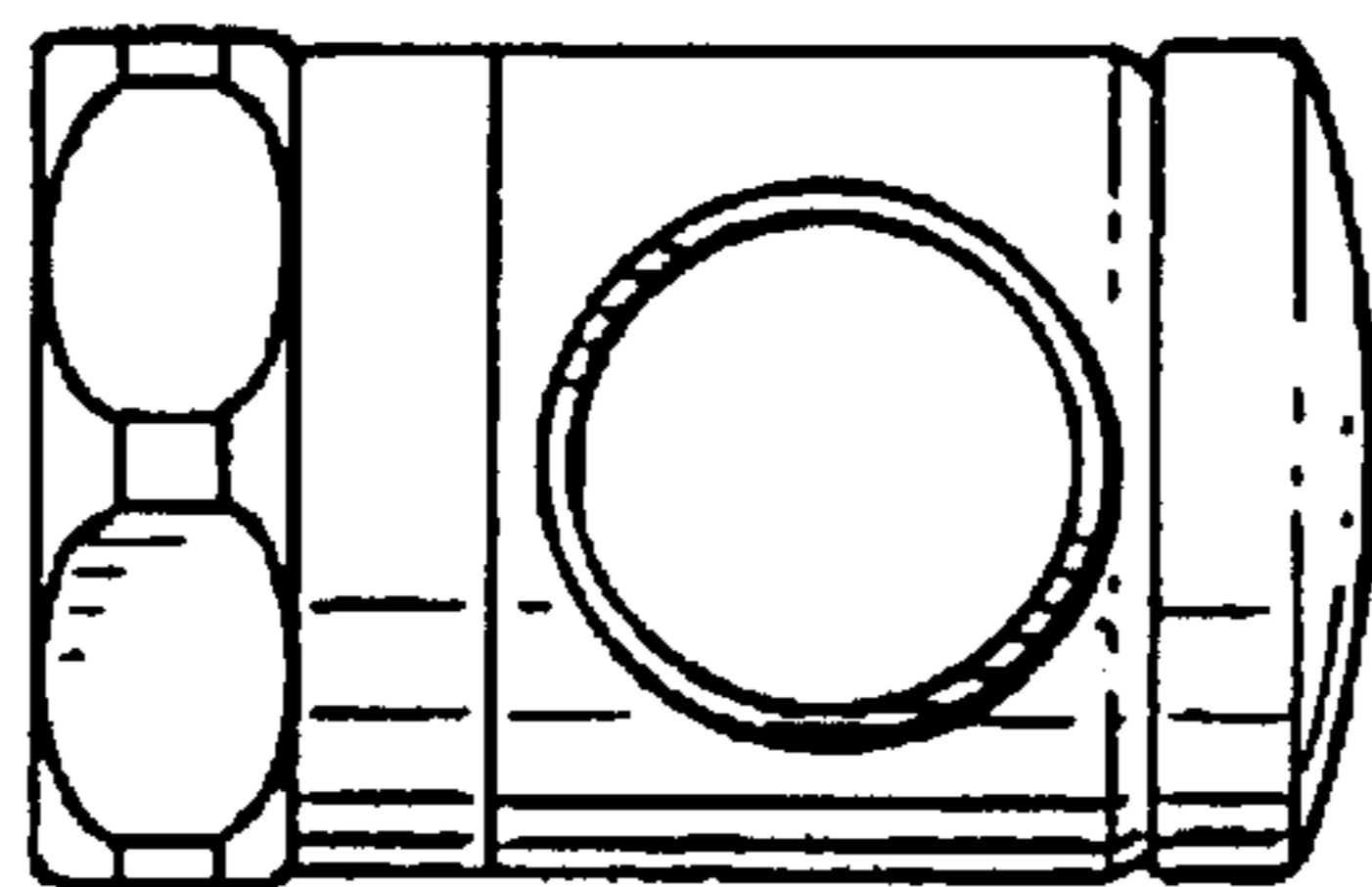
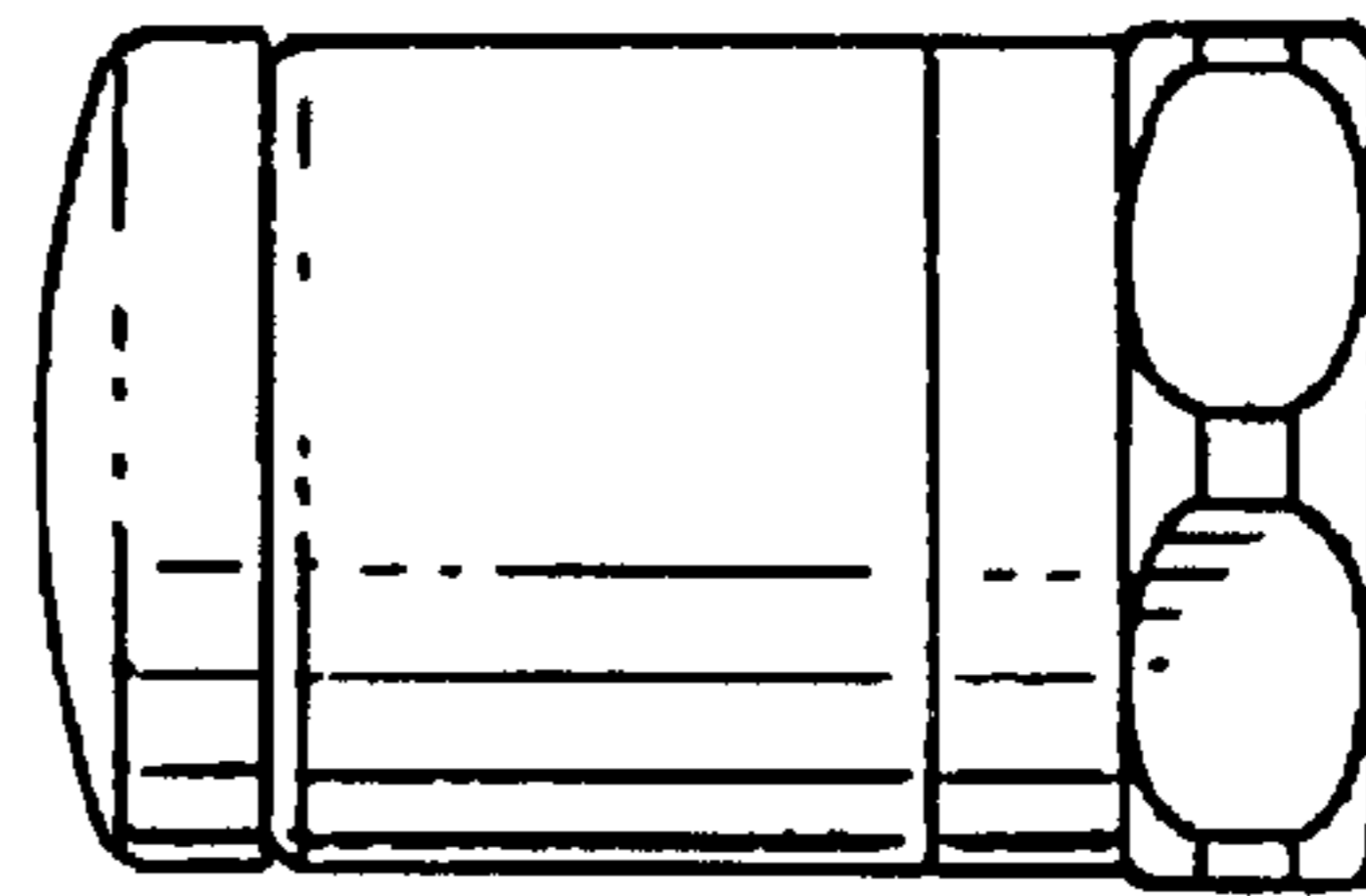


Fig. 4.

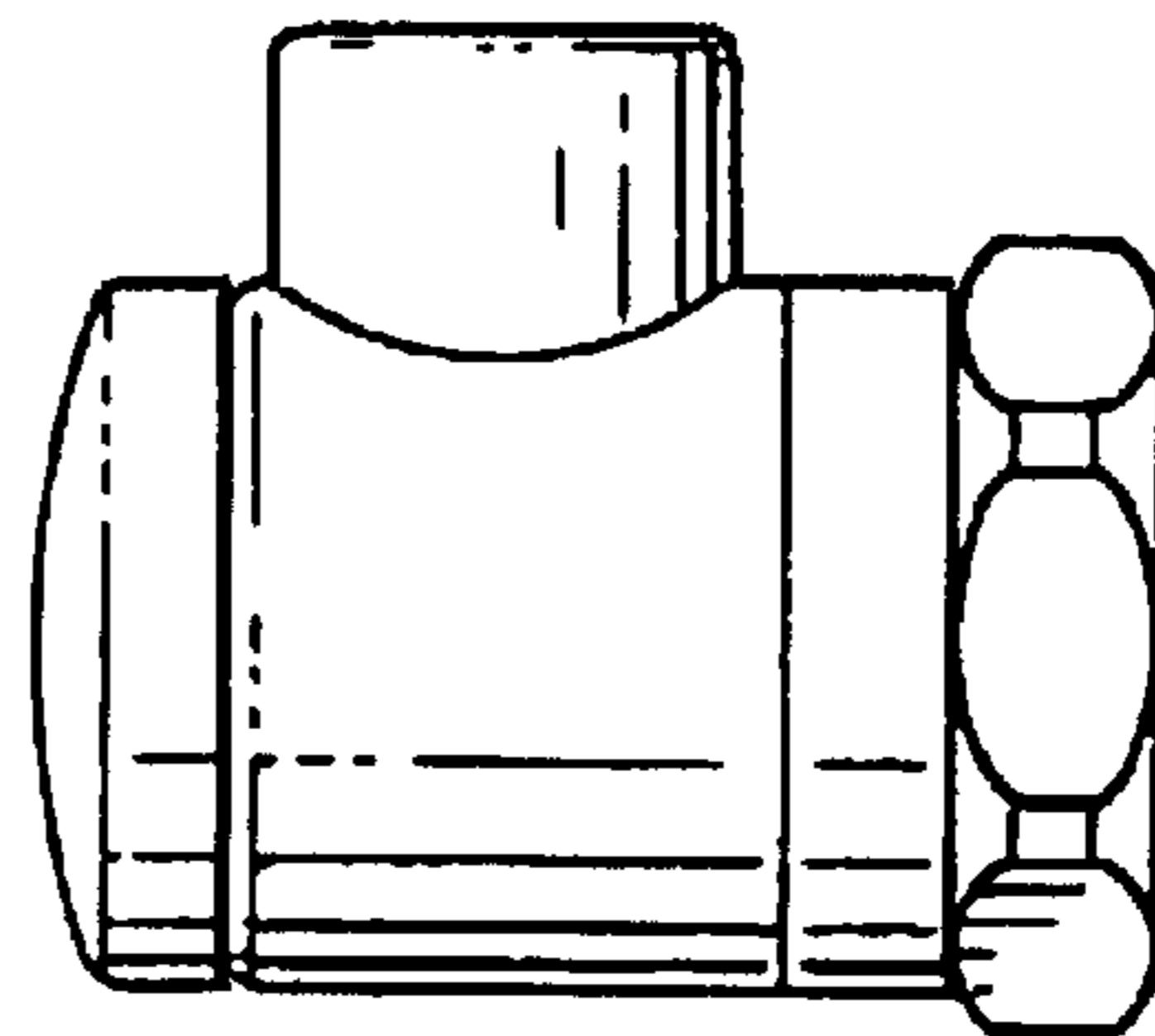


Fig. 5.