



US00D498820S

(12) **United States Design Patent**
Fukai

(10) **Patent No.:** **US D498,820 S**

(45) **Date of Patent:** **** Nov. 23, 2004**

(54) **VALVE BODY**

(75) **Inventor:** **Toshitada Fukai, Tokyo (JP)**

(73) **Assignees:** **Kitz Corporation, Chiba (JP); Nippon Daiya Valve Co., Ltd., Tokyo (JP)**

(**) **Term:** **14 Years**

(21) **Appl. No.:** **29/186,600**

(22) **Filed:** **Jul. 21, 2003**

(51) **LOC (7) Cl.** **23-01**

(52) **U.S. Cl.** **D23/249**

(58) **Field of Search** **D23/233-237,**
D23/244-249; 251/61.1, 331

(56) **References Cited**

U.S. PATENT DOCUMENTS

D113,438 S	*	2/1939	Ray	D23/248
2,302,930 A	*	11/1942	Anderson	251/331
D152,809 S	*	2/1949	McCauley	D23/235
2,579,982 A	*	12/1951	Lewis	251/256
3,374,522 A	*	3/1968	Boteler	29/890.129
D213,104 S	*	1/1969	Towsend	D23/233

3,802,462 A	*	4/1974	Trosch	137/556
4,284,098 A	*	8/1981	Kruschik	137/219
D335,331 S	*	5/1993	Weingarten	D23/248
D351,897 S	*	10/1994	Keeslar	D23/233
D394,700 S	*	5/1998	Emmins	D23/248

* cited by examiner

Primary Examiner—Nelson C. Holtje

(74) *Attorney, Agent, or Firm*—Birch, Stewart, Kolasch & Birch, LLP

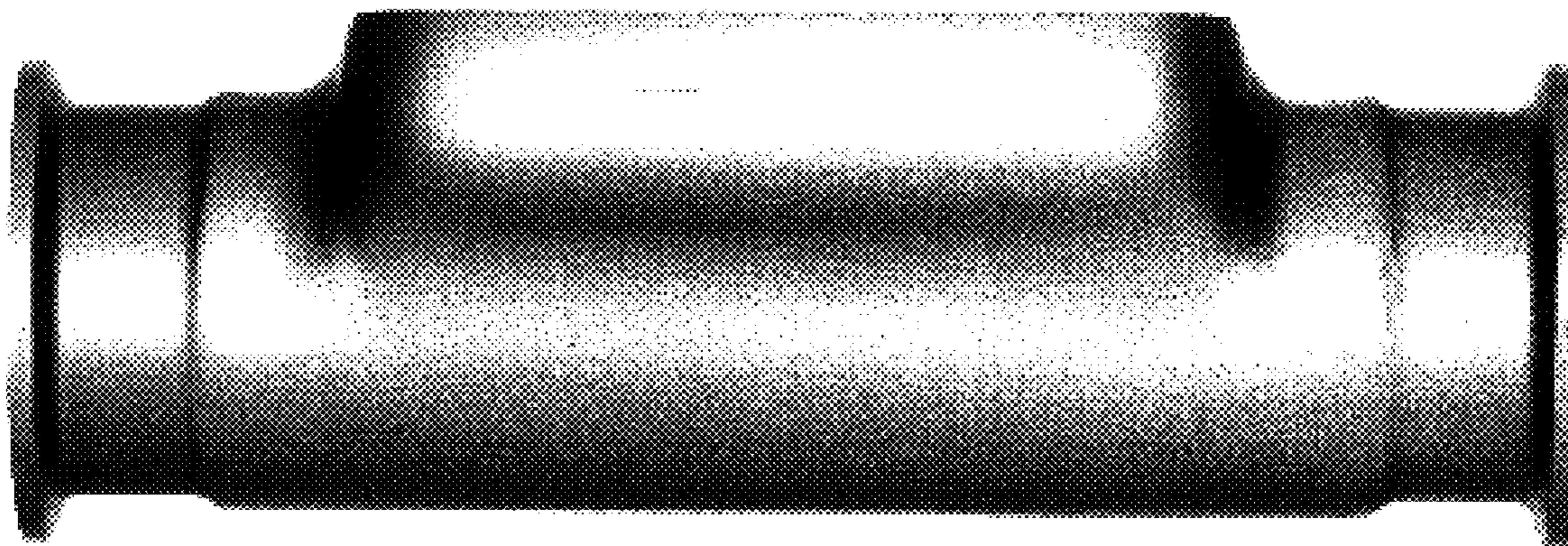
(57) **CLAIM**

The ornamental design for a valve body, as shown.

DESCRIPTION

No. **1** is a front view of the valve body;
 No. **2** is a rear view of the valve body;
 No. **3** is a right side view of the valve body;
 No. **4** is a left side view of the valve body;
 No. **5** is a plan view of the valve body;
 No. **6** is an underneath view of the valve body;
 No. **7** is a perspective view, from front, of the valve body;
 and,
 No. **8** is a perspective view, from rear, of the valve body.

1 Claim, 4 Drawing Sheets



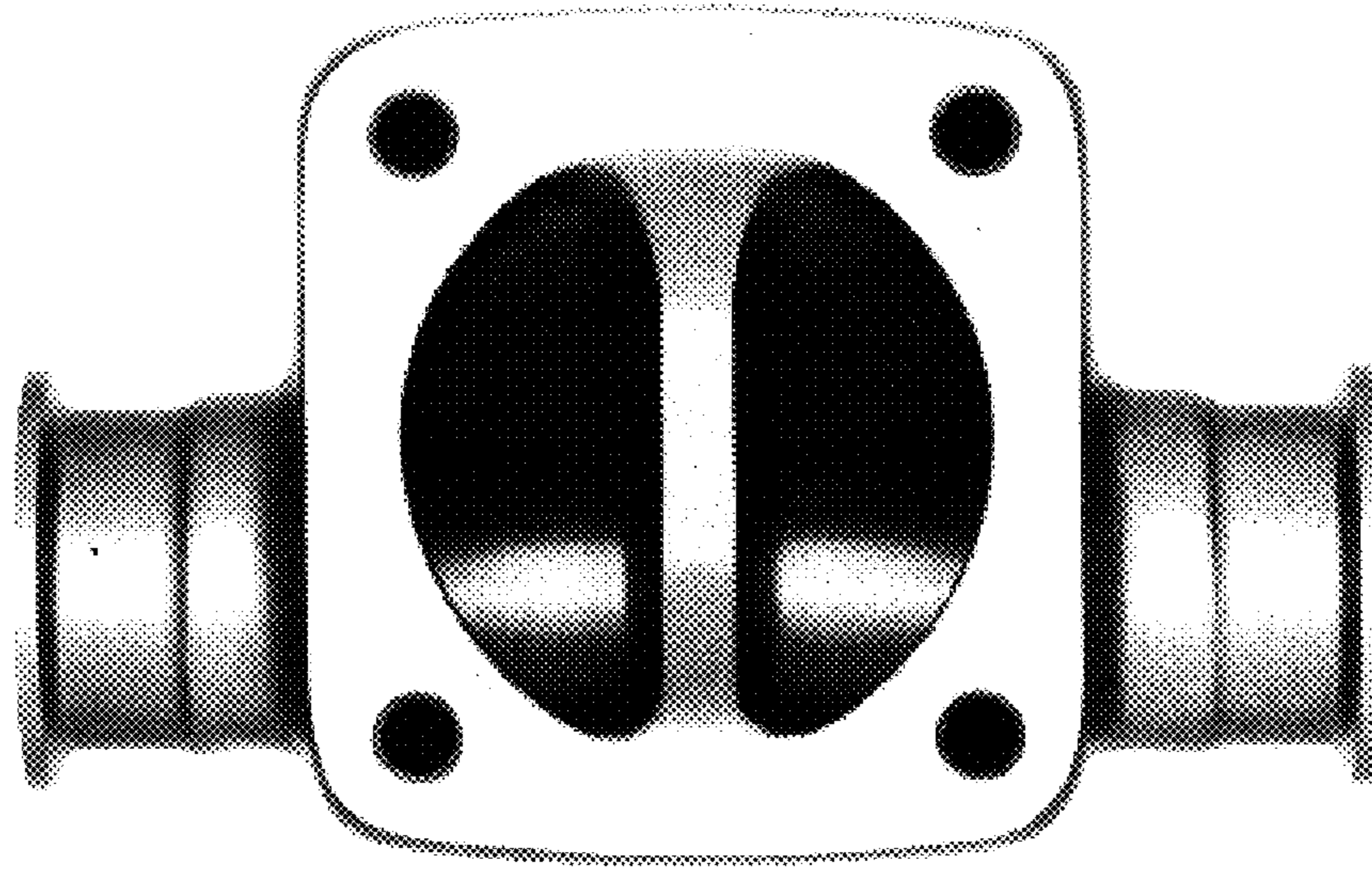


FIG.1

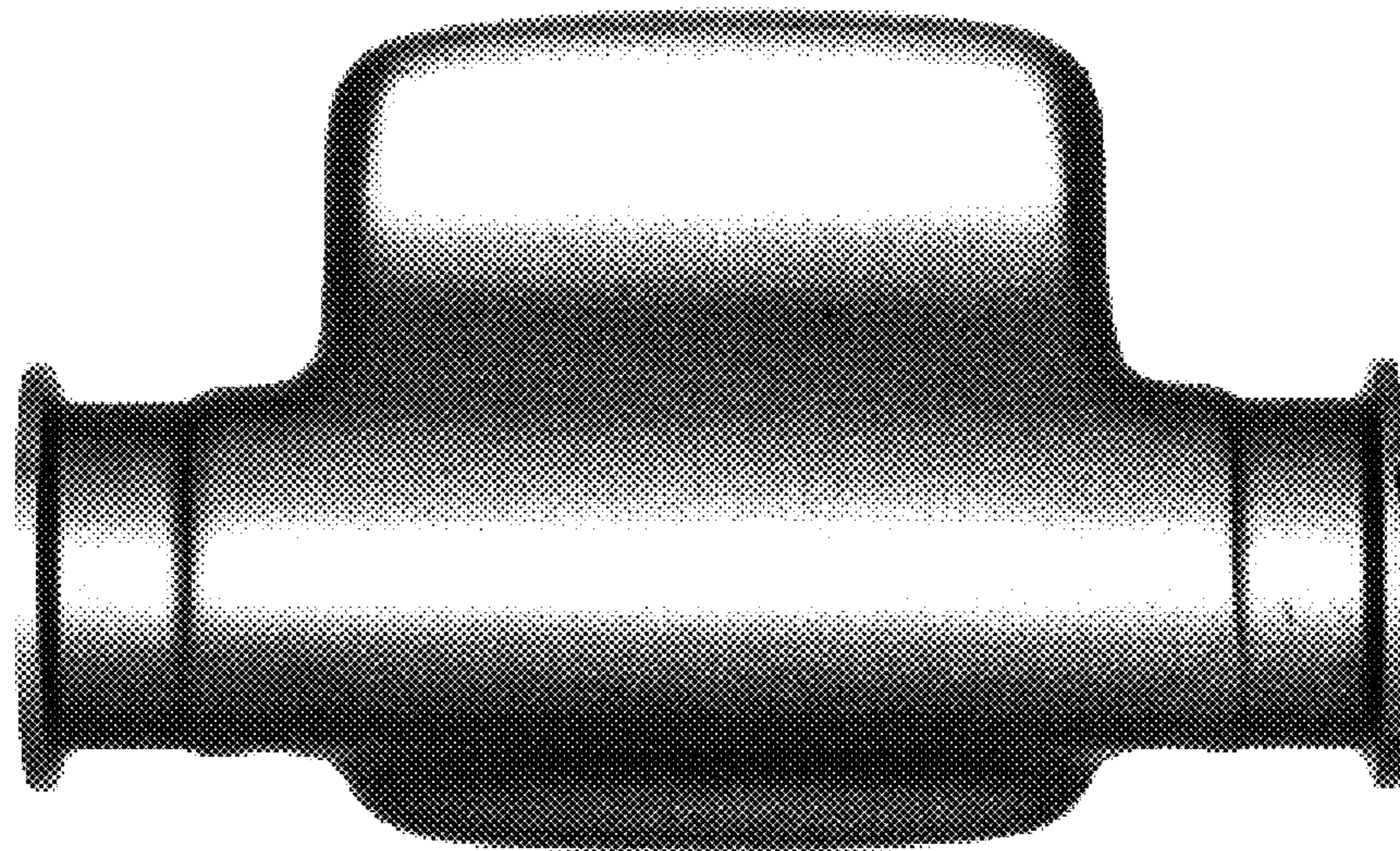


FIG.2

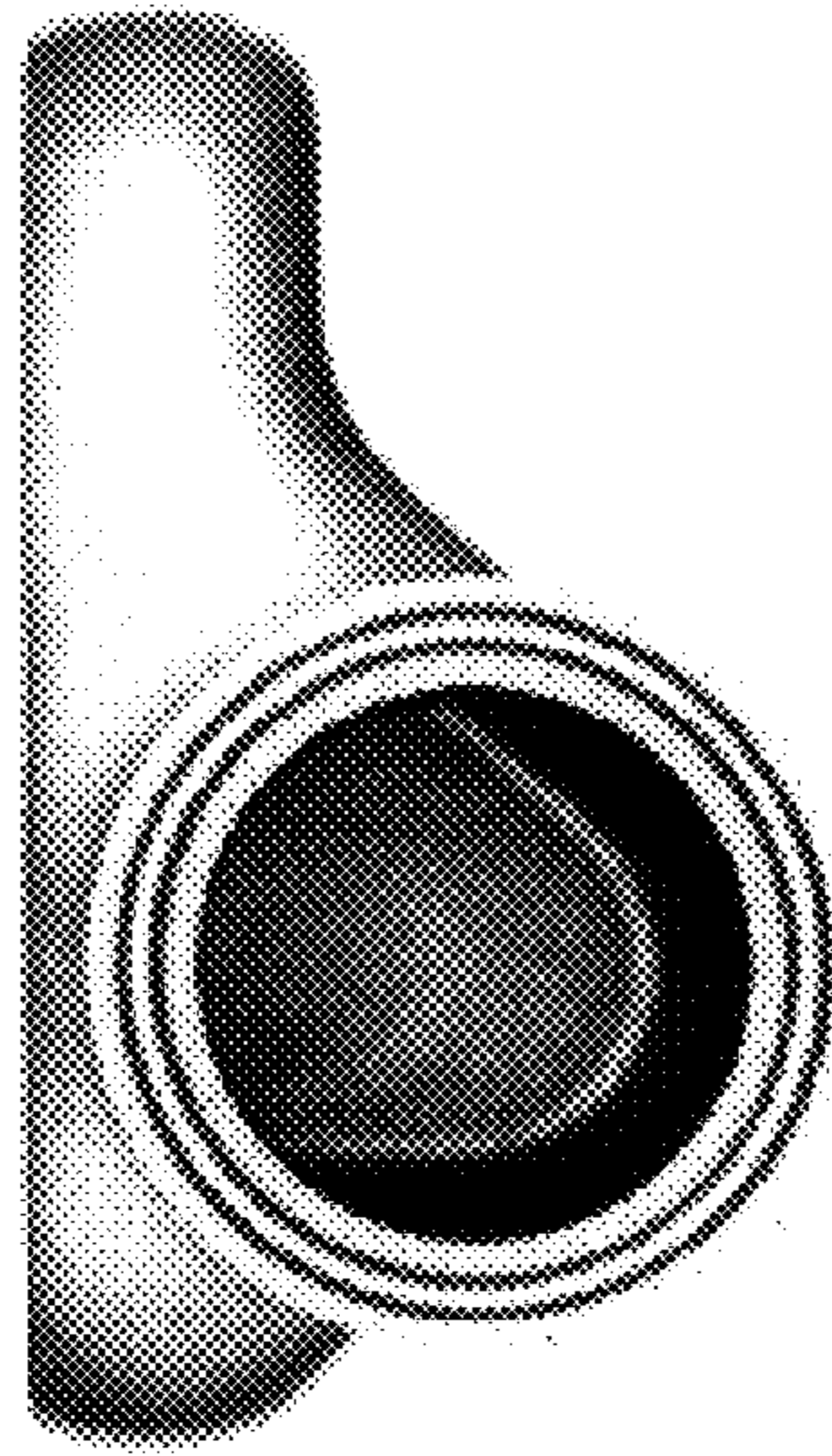


FIG.3

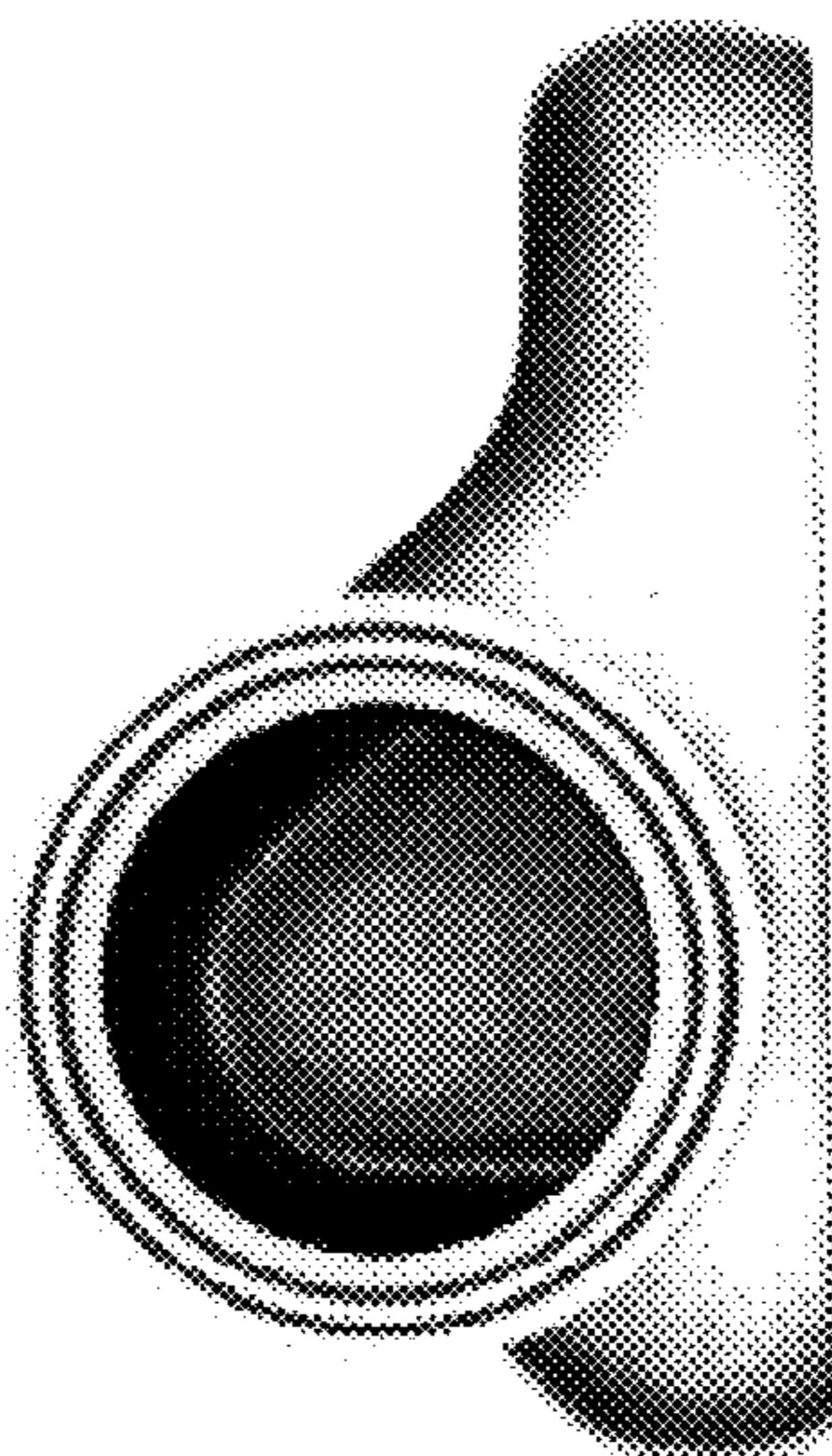


FIG.4

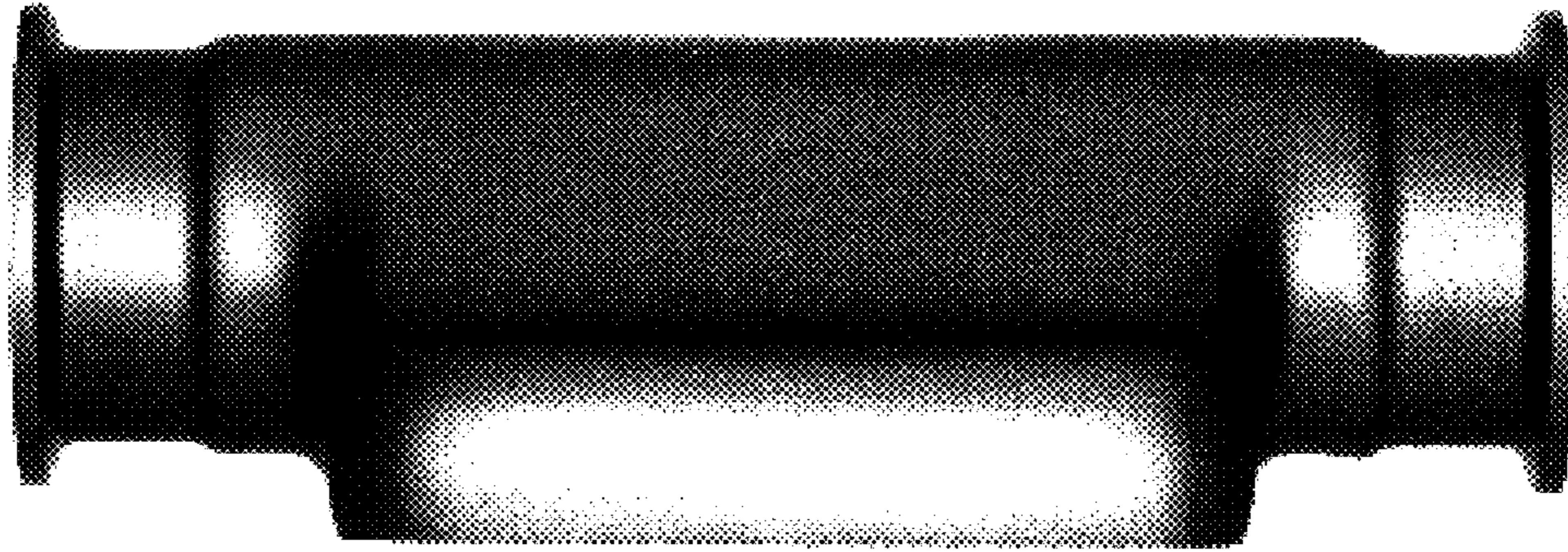


FIG. 5

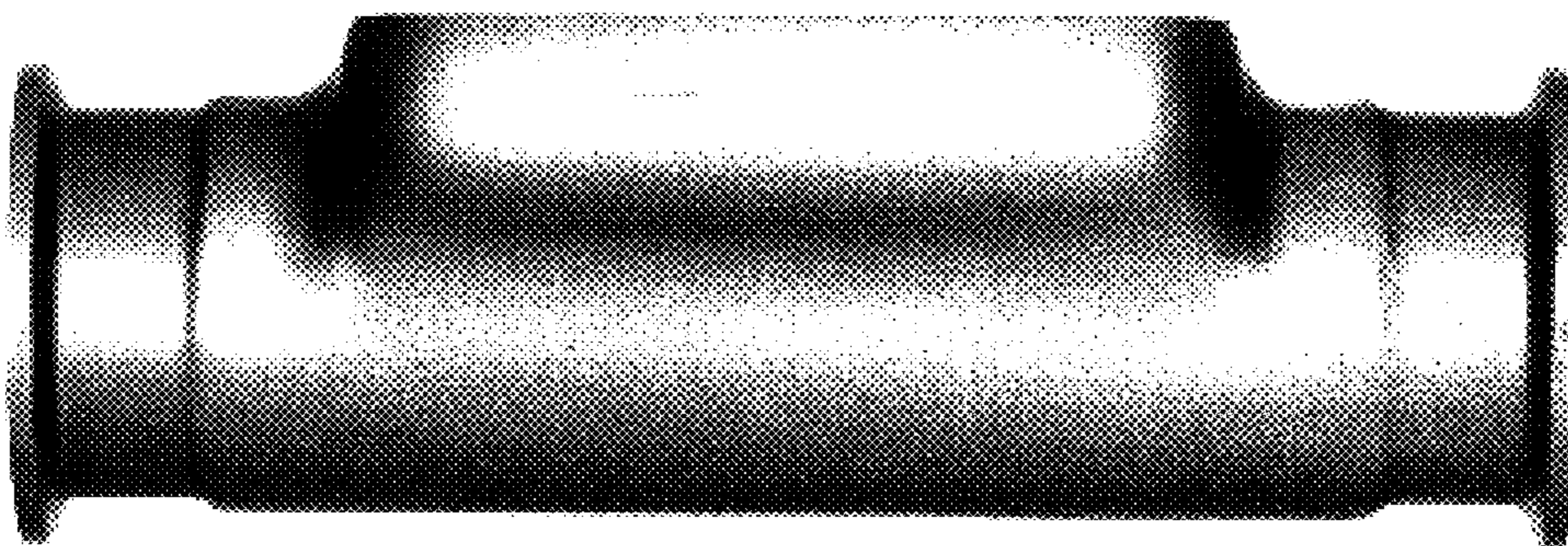


FIG. 6

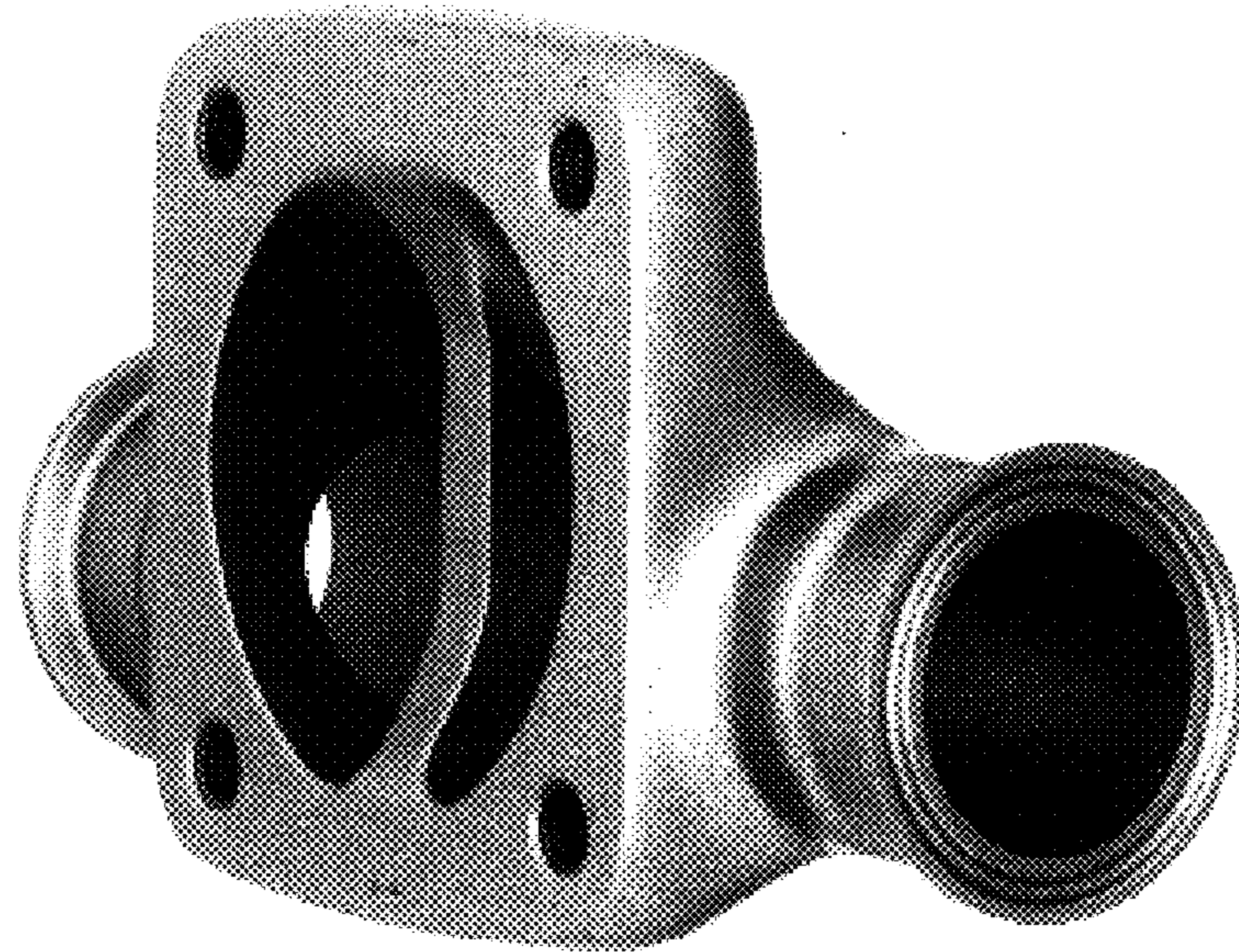


FIG. 7

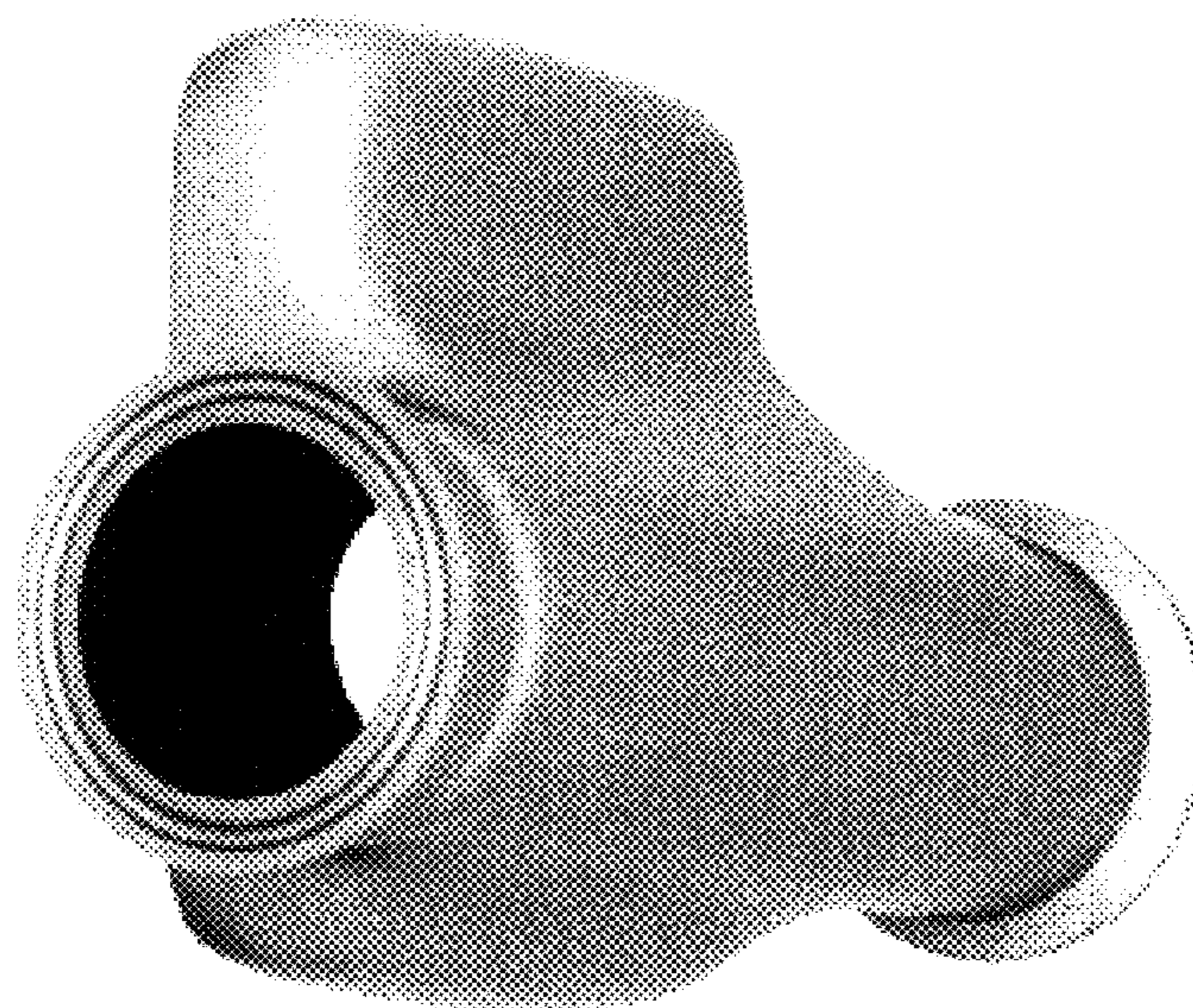


FIG. 8