

US00D498819S

(12) **United States Design Patent**  
**Goetz et al.**

(10) **Patent No.:** **US D498,819 S**

(45) **Date of Patent:** **\*\* Nov. 23, 2004**

(54) **Y-SHAPED SHUT-OFF VALVE ACCESSORY FOR WATER HOSE**

D288,229 S \* 2/1987 Beal et al. .... D23/262  
6,321,782 B1 \* 11/2001 Hollister ..... 137/557  
6,463,955 B2 \* 10/2002 Hasak et al. .... 137/553

(75) Inventors: **Michael Goetz**, Somerset, PA (US);  
**Douglas Shaulis**, Somerset, PA (US)

\* cited by examiner

(73) Assignee: **Gilmour, Inc.**, Newark, DE (US)

*Primary Examiner*—Nelson C. Holtje

(74) *Attorney, Agent, or Firm*—Victor A. Henzi

(\*\*) Term: **14 Years**

(57) **CLAIM**

(21) Appl. No.: **29/199,990**

The ornamental design for a Y-shaped shut-off valve accessory for water hose, as shown and described.

(22) Filed: **Feb. 23, 2004**

**DESCRIPTION**

(51) **LOC (7) Cl.** ..... **23-01**

(52) **U.S. Cl.** ..... **D23/245; D23/248**

(58) **Field of Search** ..... D23/233, 245,  
D23/247–250; 251/309–310, 315, 315.14,  
335.5; 137/170–174, 219, 625.22

FIG. 1 is a front top left perspective view of the present new design for a Y-shaped shut-off valve accessory for water hose;

FIG. 2 is a front elevational view thereof;

FIG. 3 is a rear elevational view thereof;

FIG. 4 is a right elevational view thereof;

FIG. 5 is a left elevational view thereof;

FIG. 6 is top plan view thereof; and,

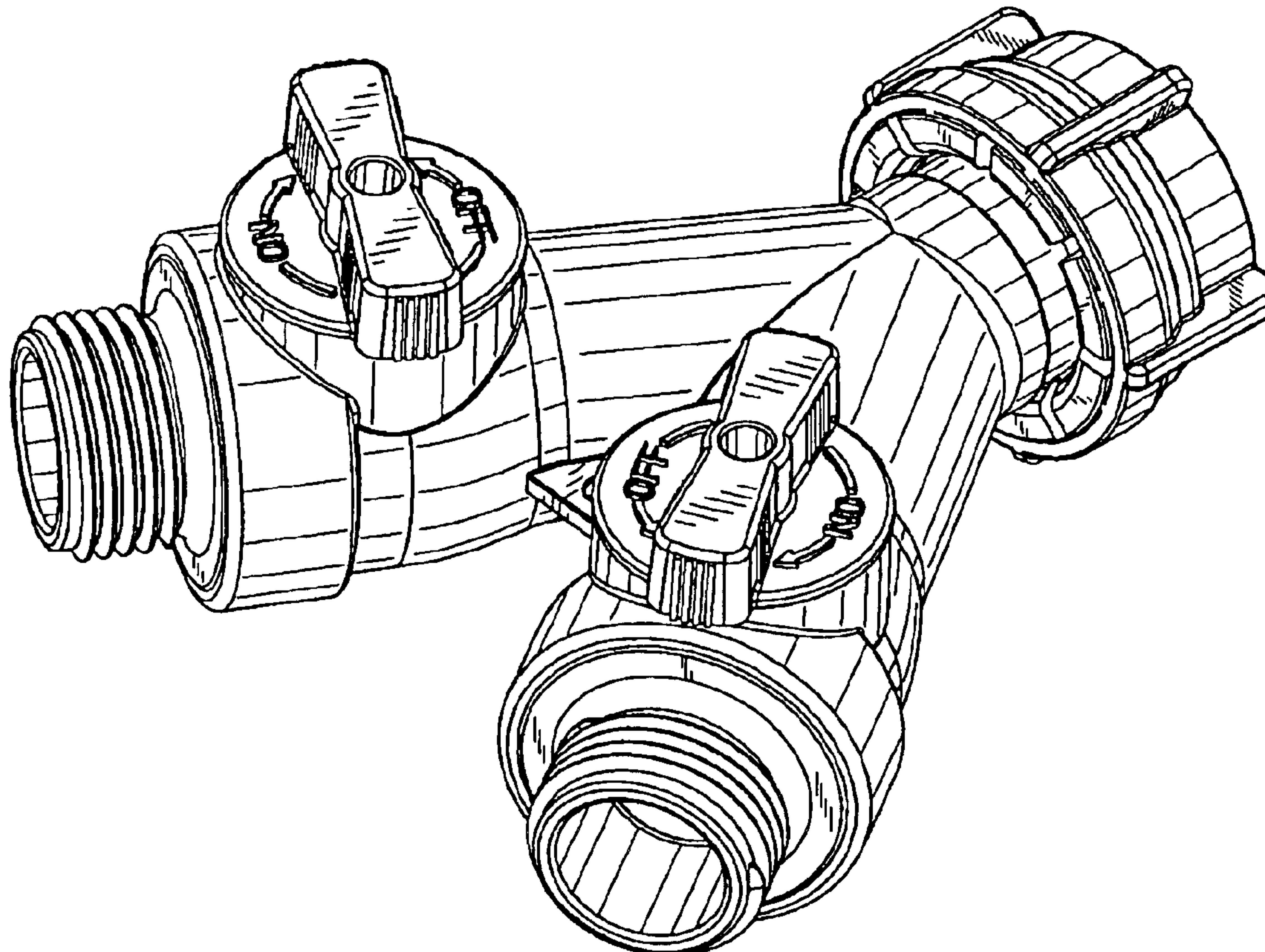
FIG. 7 is a bottom plan view thereof.

(56) **References Cited**

**U.S. PATENT DOCUMENTS**

1,099,713 A \* 6/1914 Morris ..... 137/883  
2,287,633 A \* 6/1942 Newcum ..... 137/343  
2,599,274 A \* 6/1952 Murnin, Jr. .... 251/309

**1 Claim, 6 Drawing Sheets**



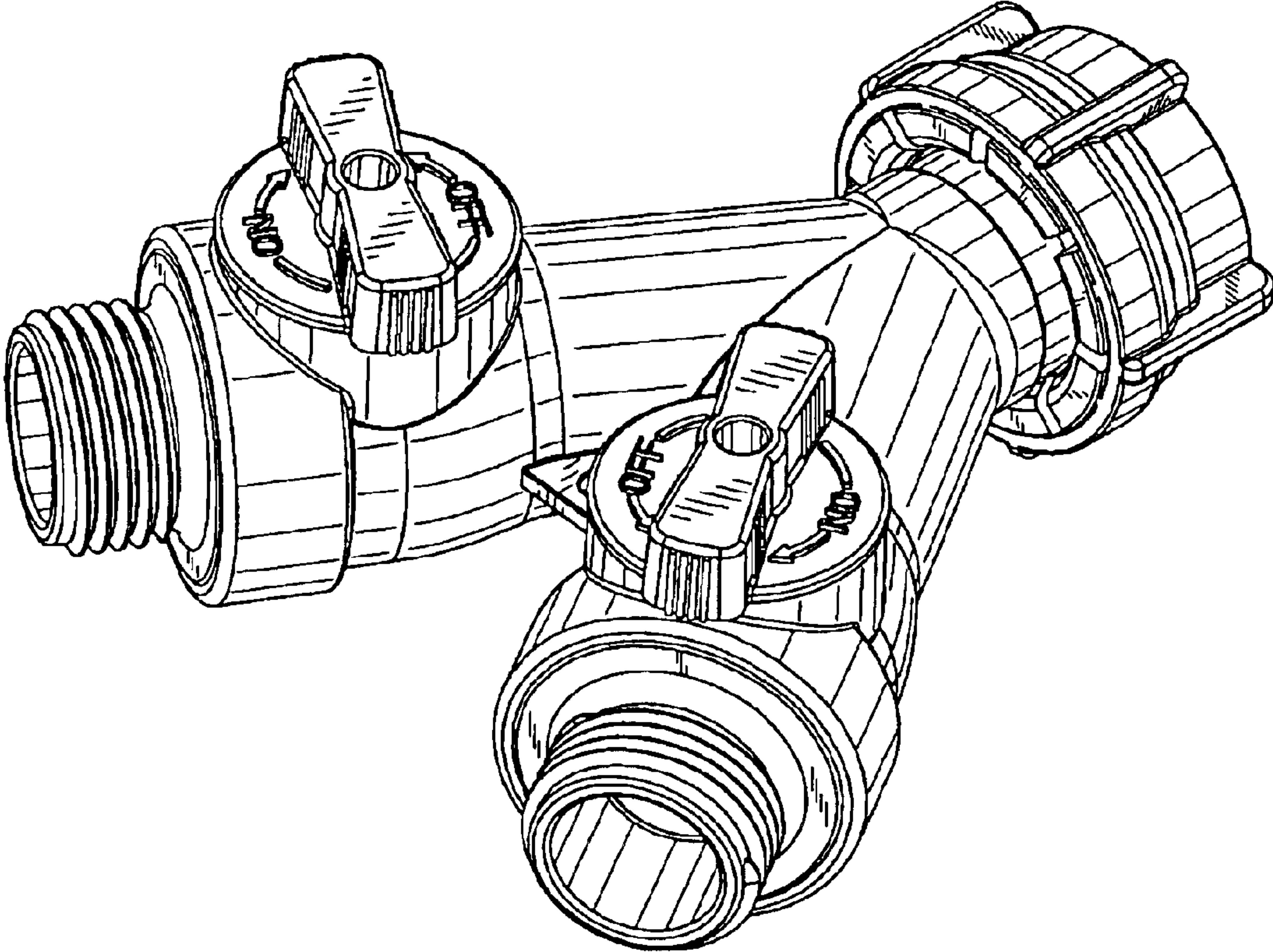


FIG. 1

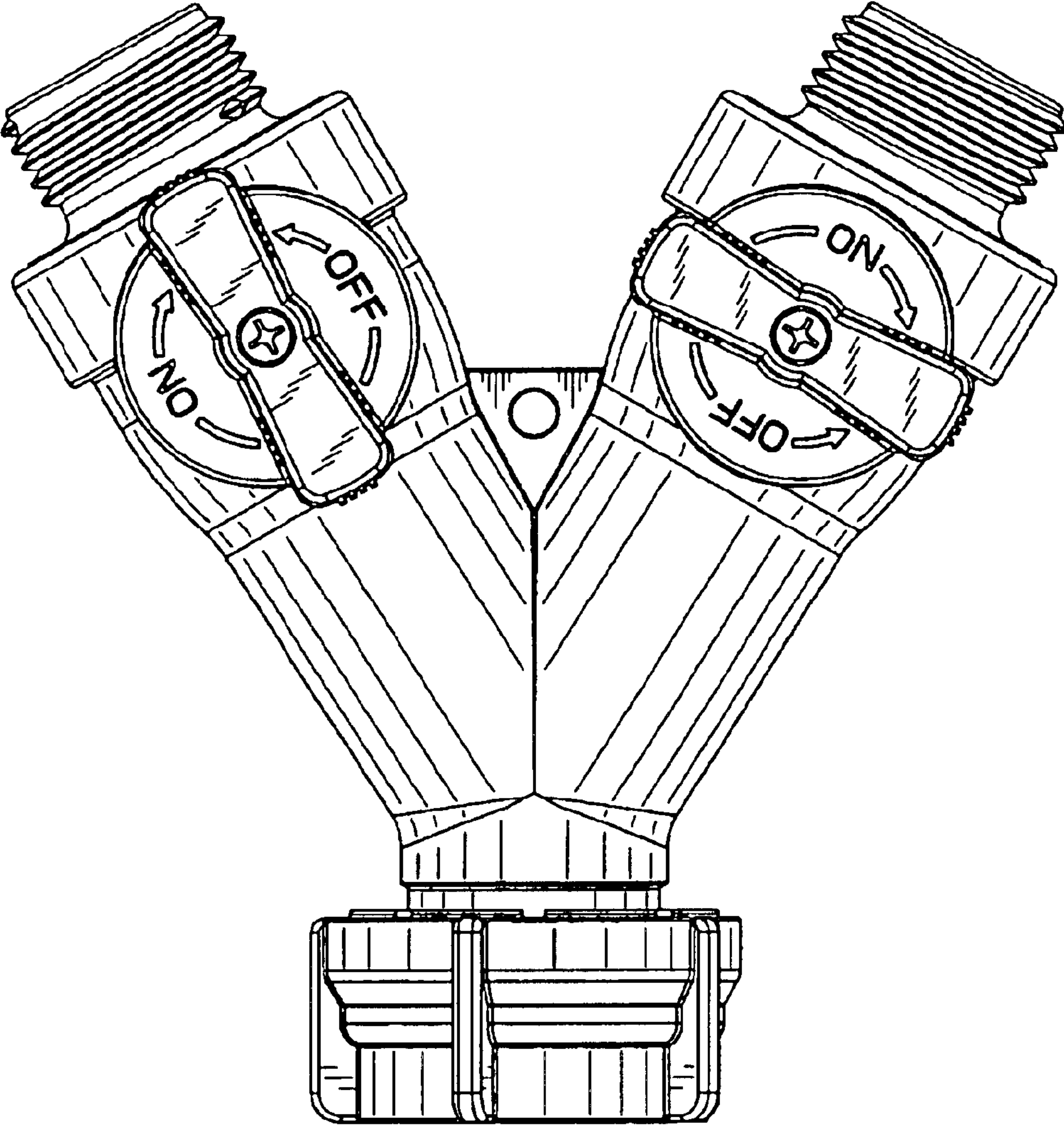


FIG. 2



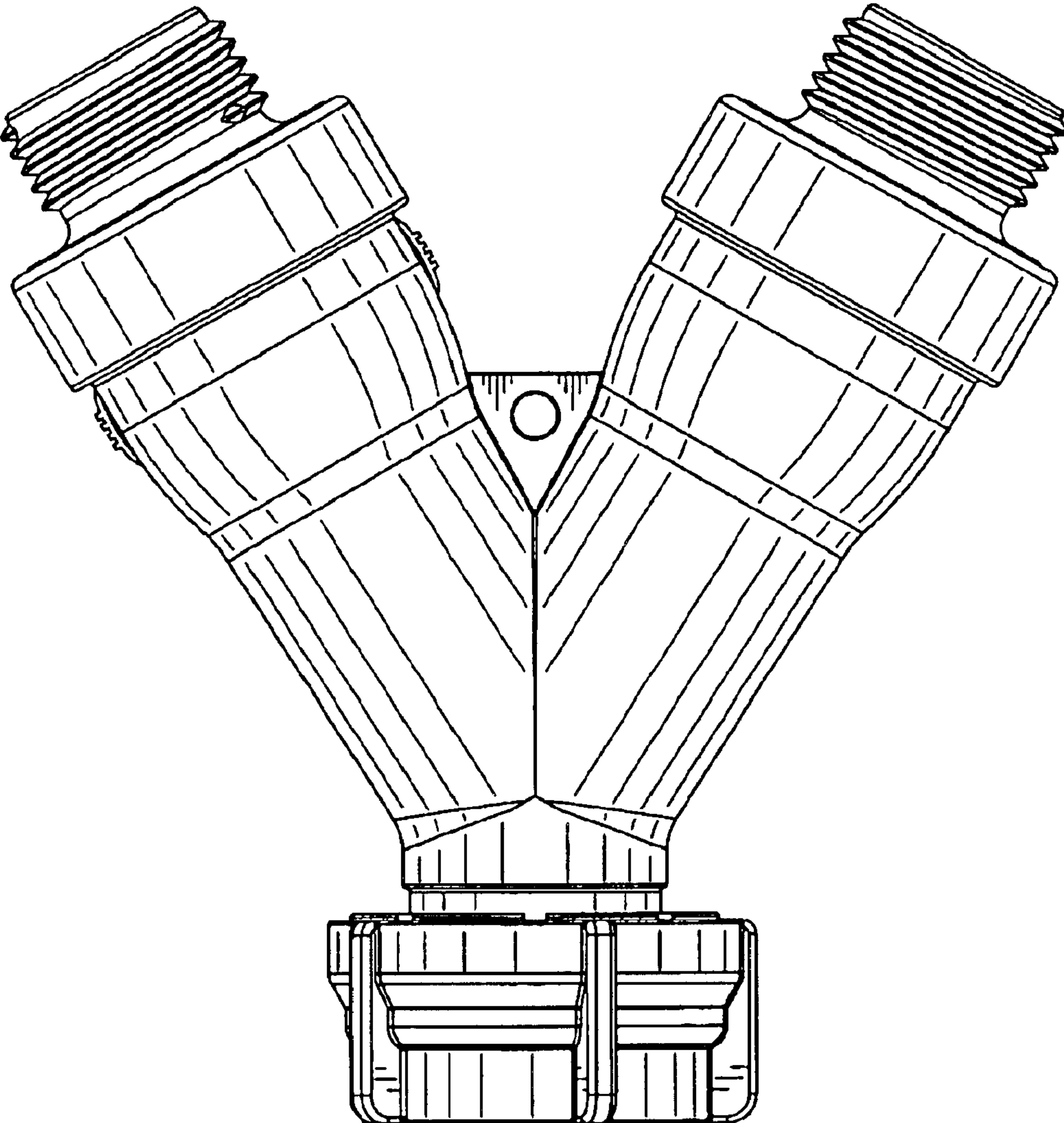


FIG. 3

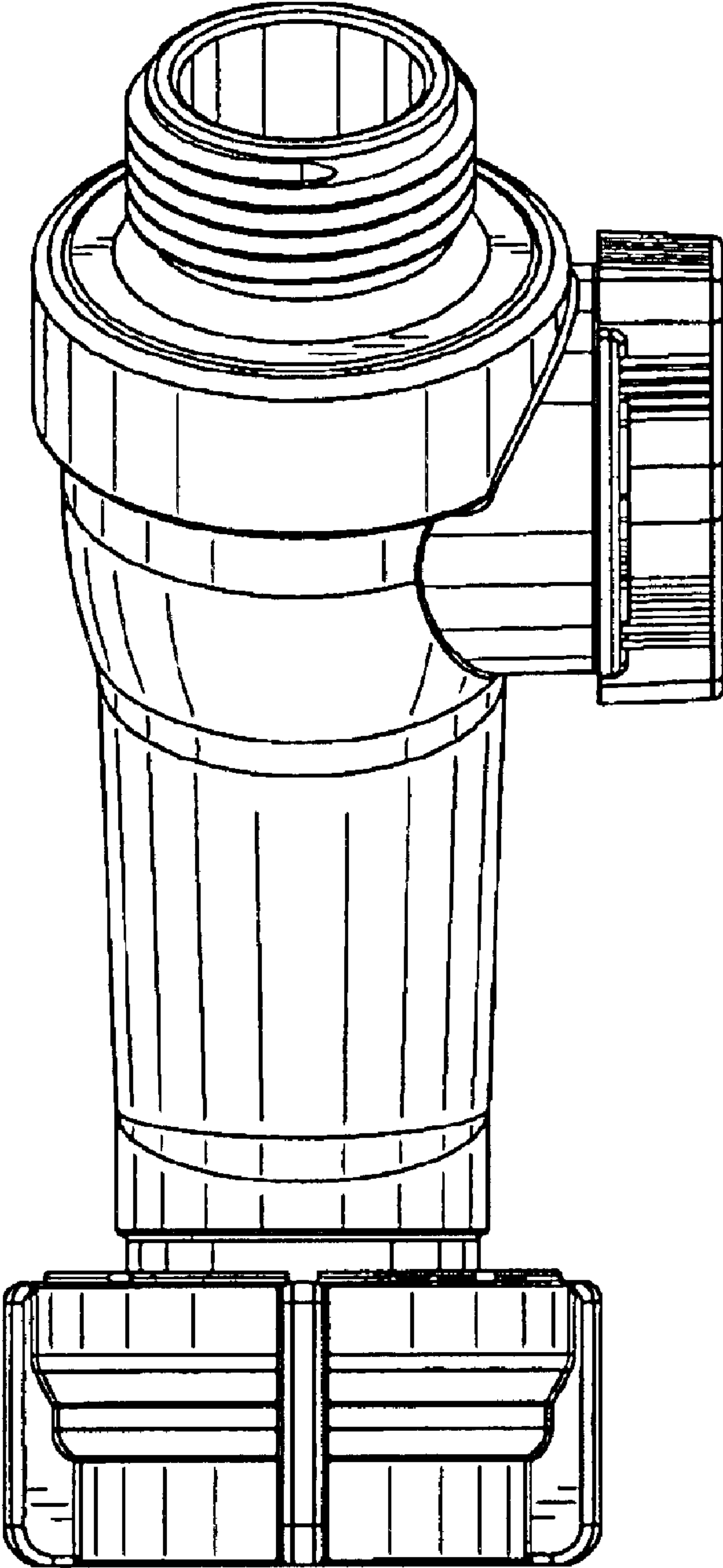
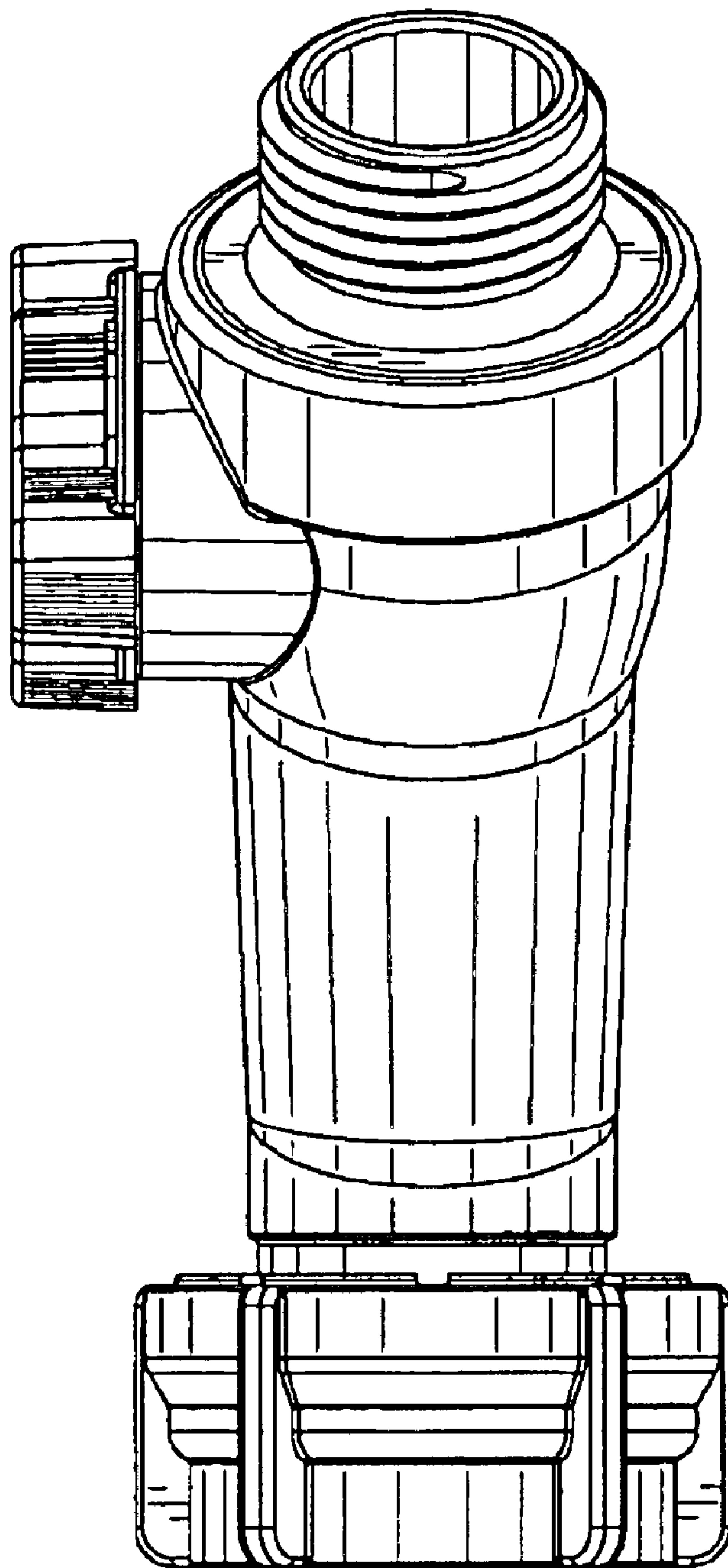


FIG. 4



**FIG. 5**

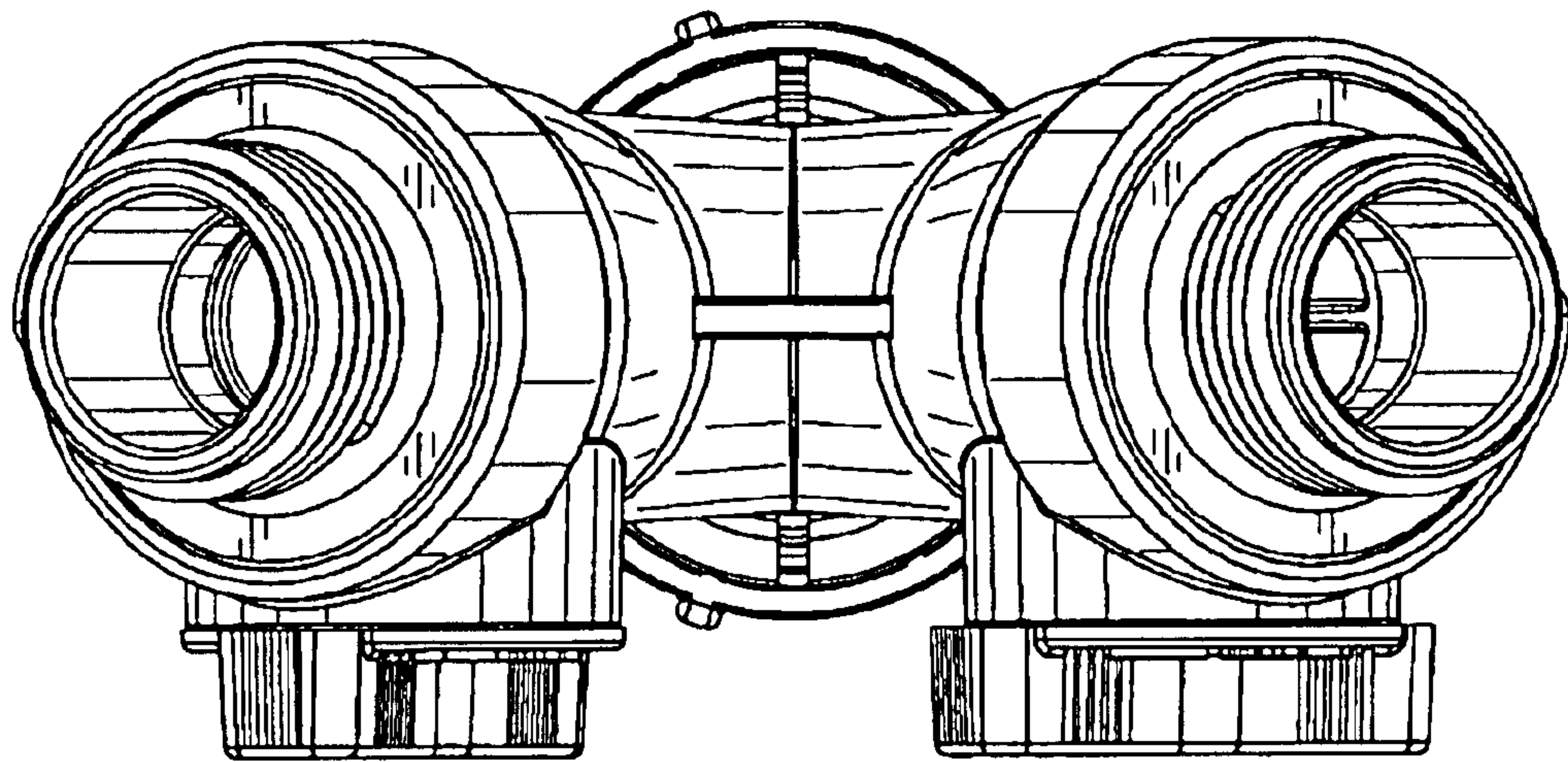


FIG. 6

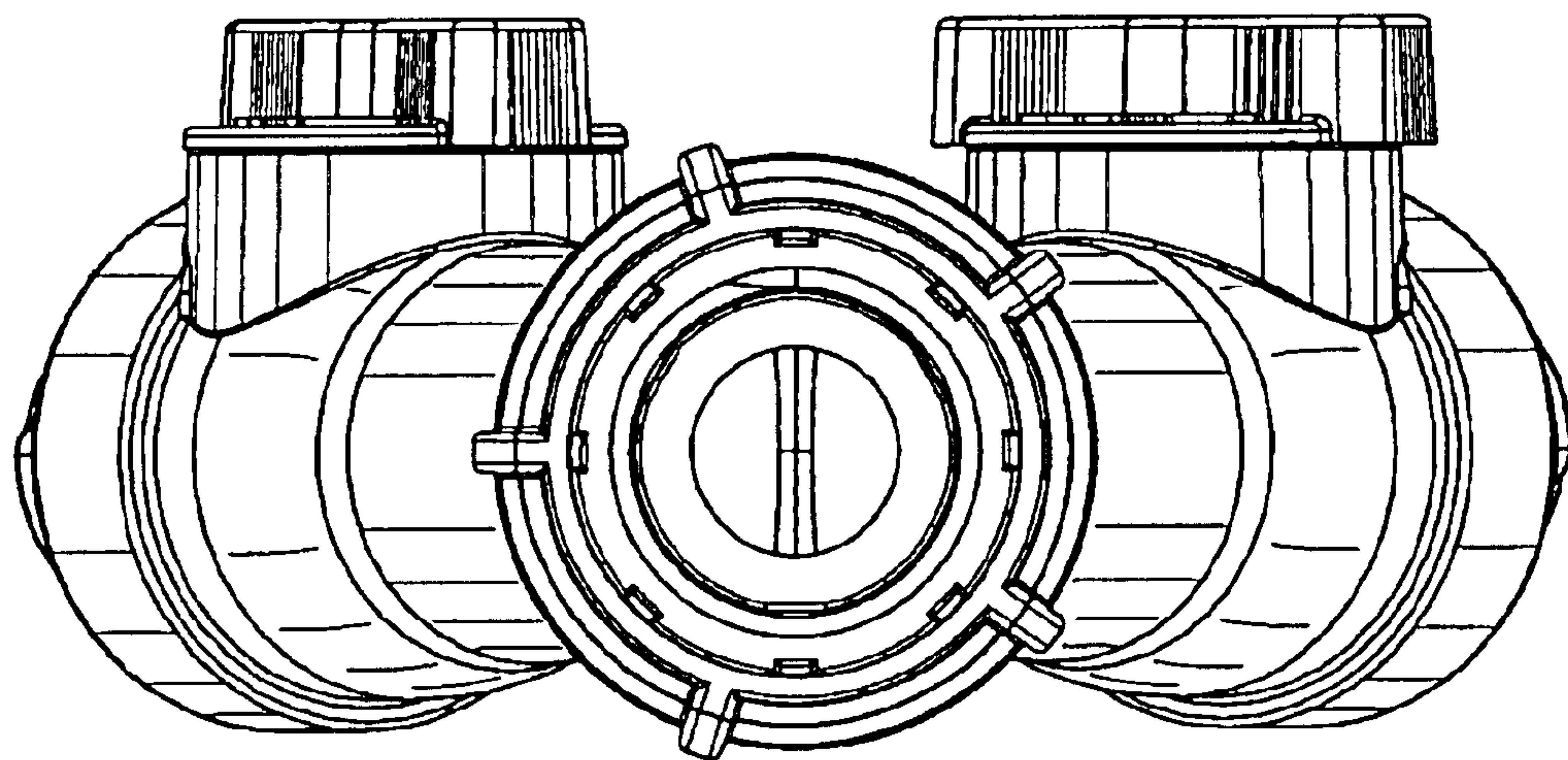


FIG. 7