



US00D498815S

(12) **United States Design Patent** (10) **Patent No.:** **US D498,815 S**  
**Greer** (45) **Date of Patent:** **\*\* Nov. 23, 2004**

(54) **STORAGE TANK**

(75) **Inventor:** **David M. Greer**, Fairbanks, AK (US)

(73) **Assignee:** **Greer Tank, Inc.**, Fairbanks, AK (US)

(\*\*) **Term:** **14 Years**

(21) **Appl. No.:** **29/189,906**

(22) **Filed:** **Sep. 12, 2003**

(51) **LOC (7) Cl.** ..... **23-01**

(52) **U.S. Cl.** ..... **D23/203**

(58) **Field of Search** ..... **D23/202, 203;**  
**220/565, 567.1; 210/532.2**

(56) **References Cited**

**U.S. PATENT DOCUMENTS**

- D226,192 S \* 1/1973 Boyd ..... D23/203
- D234,461 S \* 3/1975 Piotrowski ..... D23/203
- 4,325,823 A \* 4/1982 Graham ..... 210/86
- 4,359,167 A 11/1982 Fouss et al.
- D357,530 S 4/1995 Grenier et al.
- 6,280,614 B1 \* 8/2001 Berg et al. .... 210/170

**OTHER PUBLICATIONS**

“The Best Around Underground”, A.K. Industries, Inc., 2001.

\* cited by examiner

*Primary Examiner*—Robin V. Taylor

(74) *Attorney, Agent, or Firm*—Morgan & Finnegan LLP

(57) **CLAIM**

The ornamental design for a storage tank, as shown and described.

**DESCRIPTION**

FIG. 1. is a perspective view of a storage tank illustrating my new design.

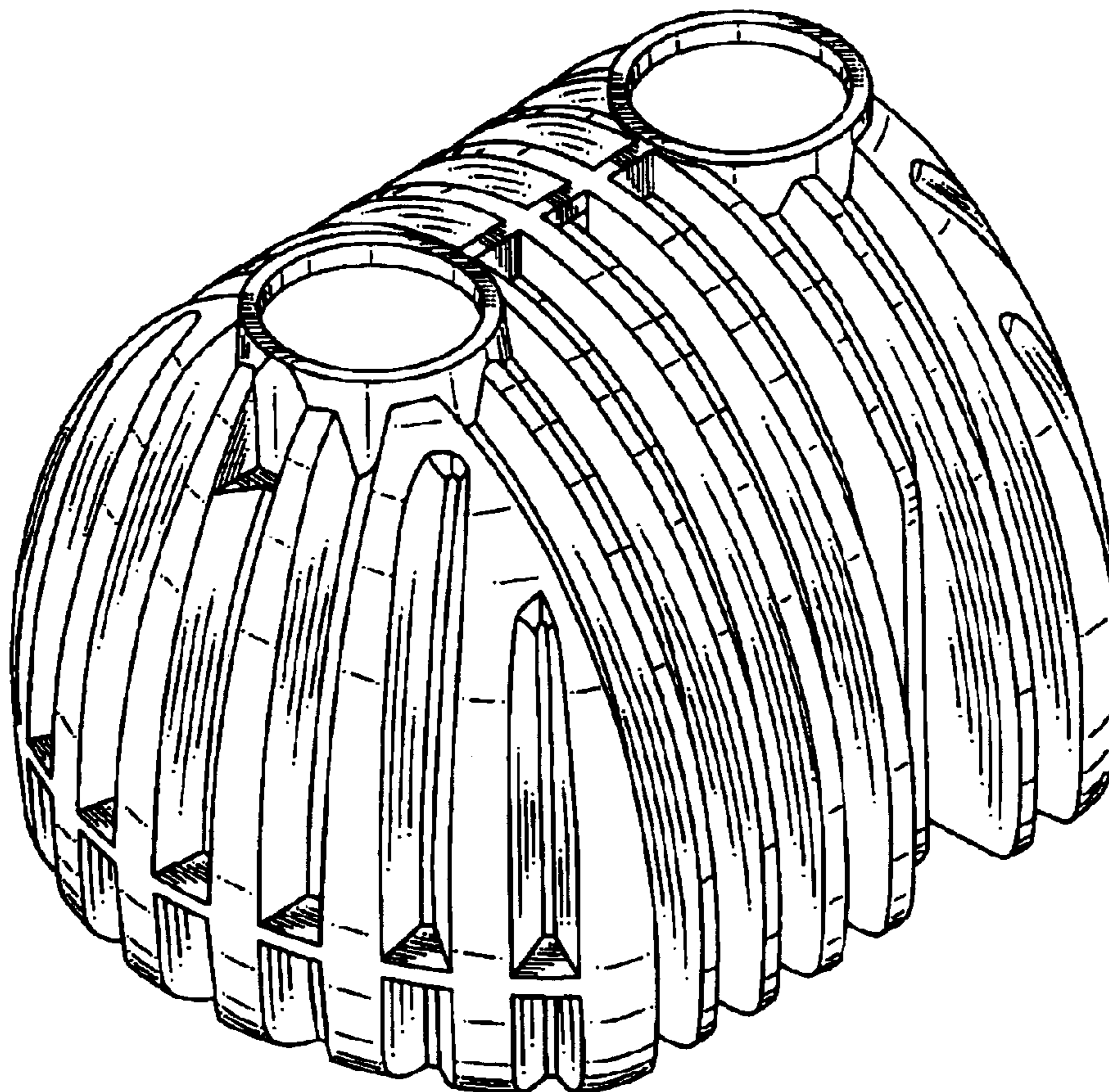
FIG. 2. is a top view thereof.

FIG. 3 is a front view thereof, the rear view of the storage tank a mirror image.

FIG. 4. is a bottom view thereof; and,

FIG. 5. is a left side view thereof, the right side of the storage tank a mirror image.

**1 Claim, 3 Drawing Sheets**



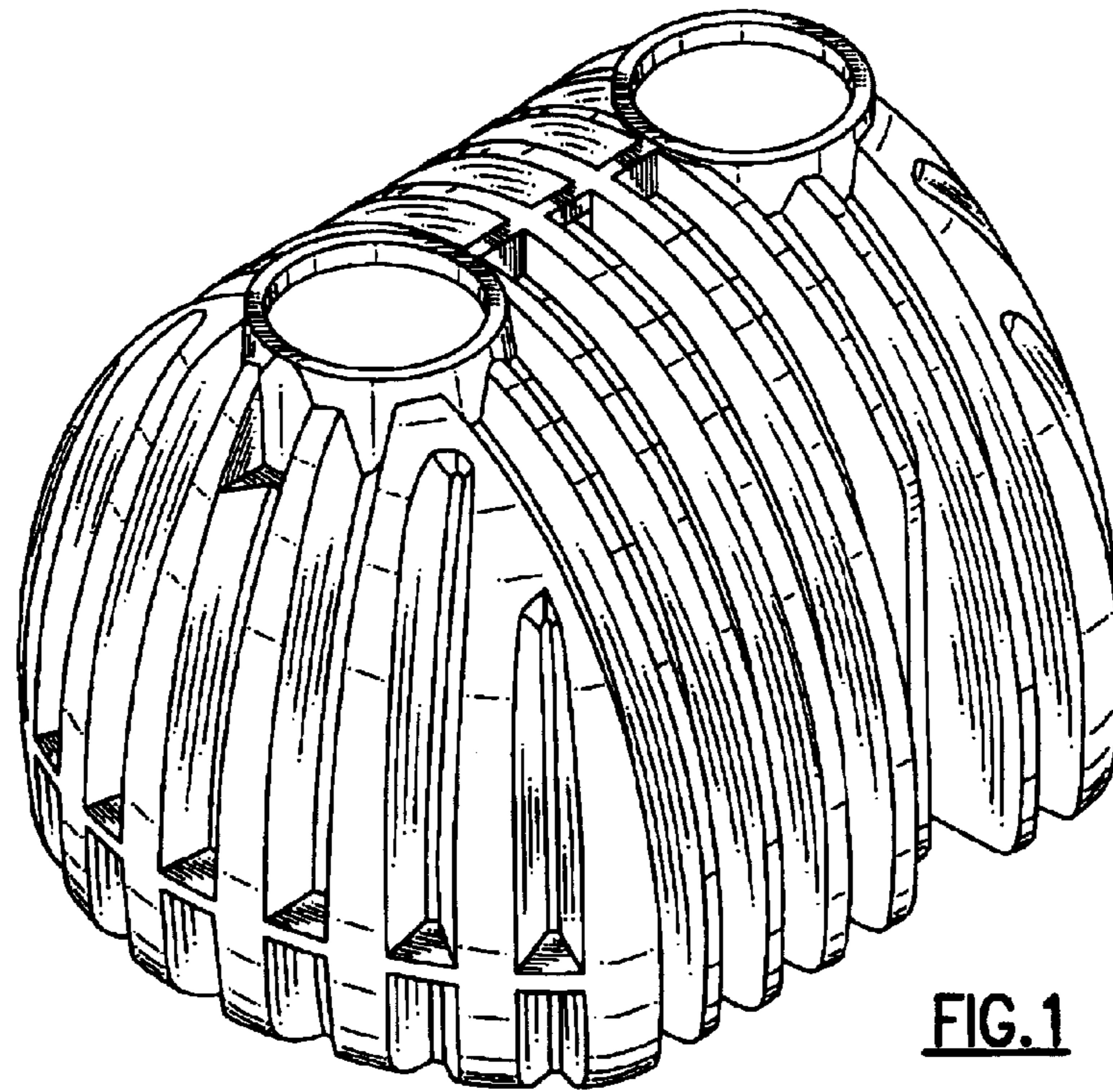


FIG. 1

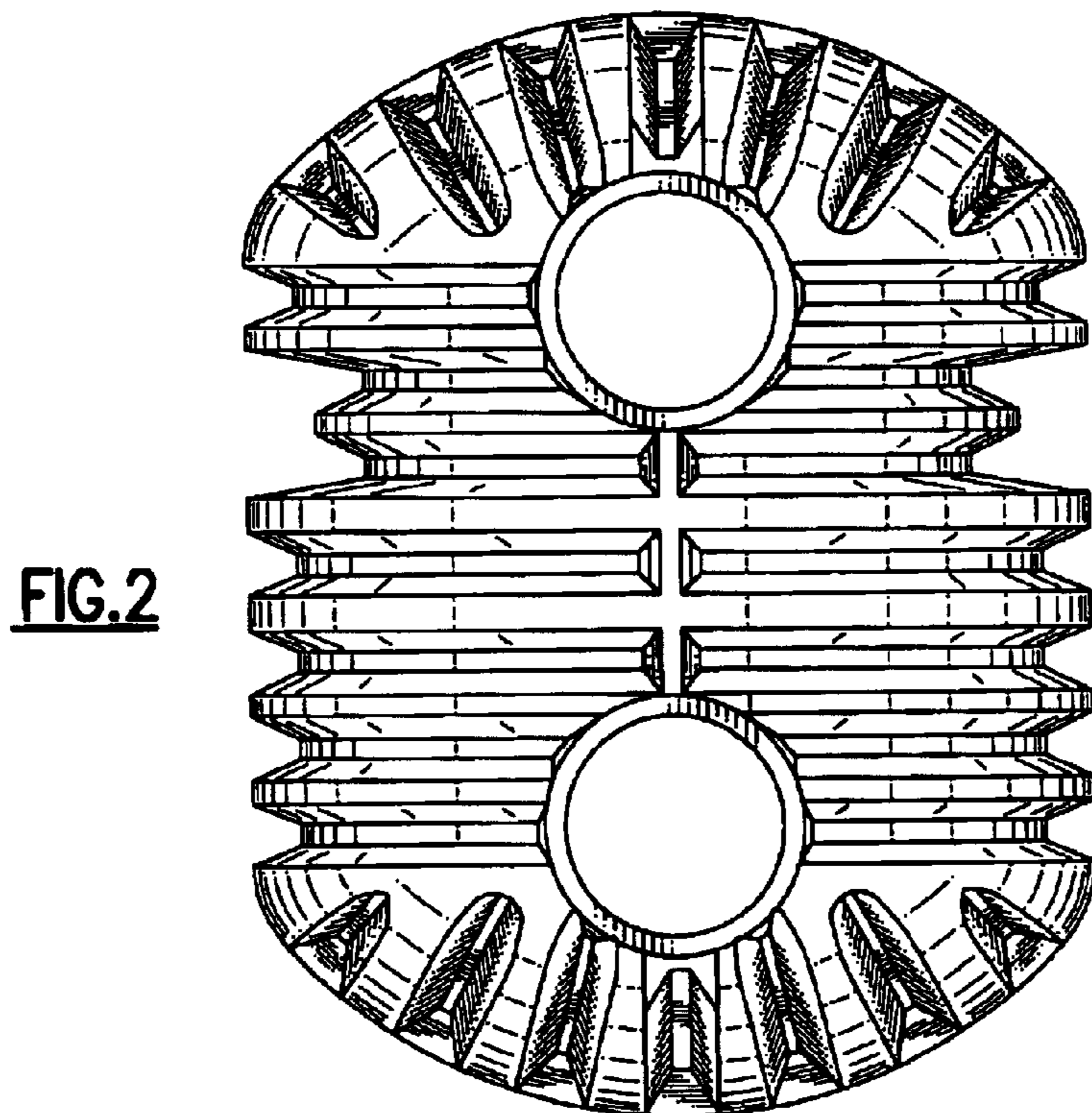


FIG. 2

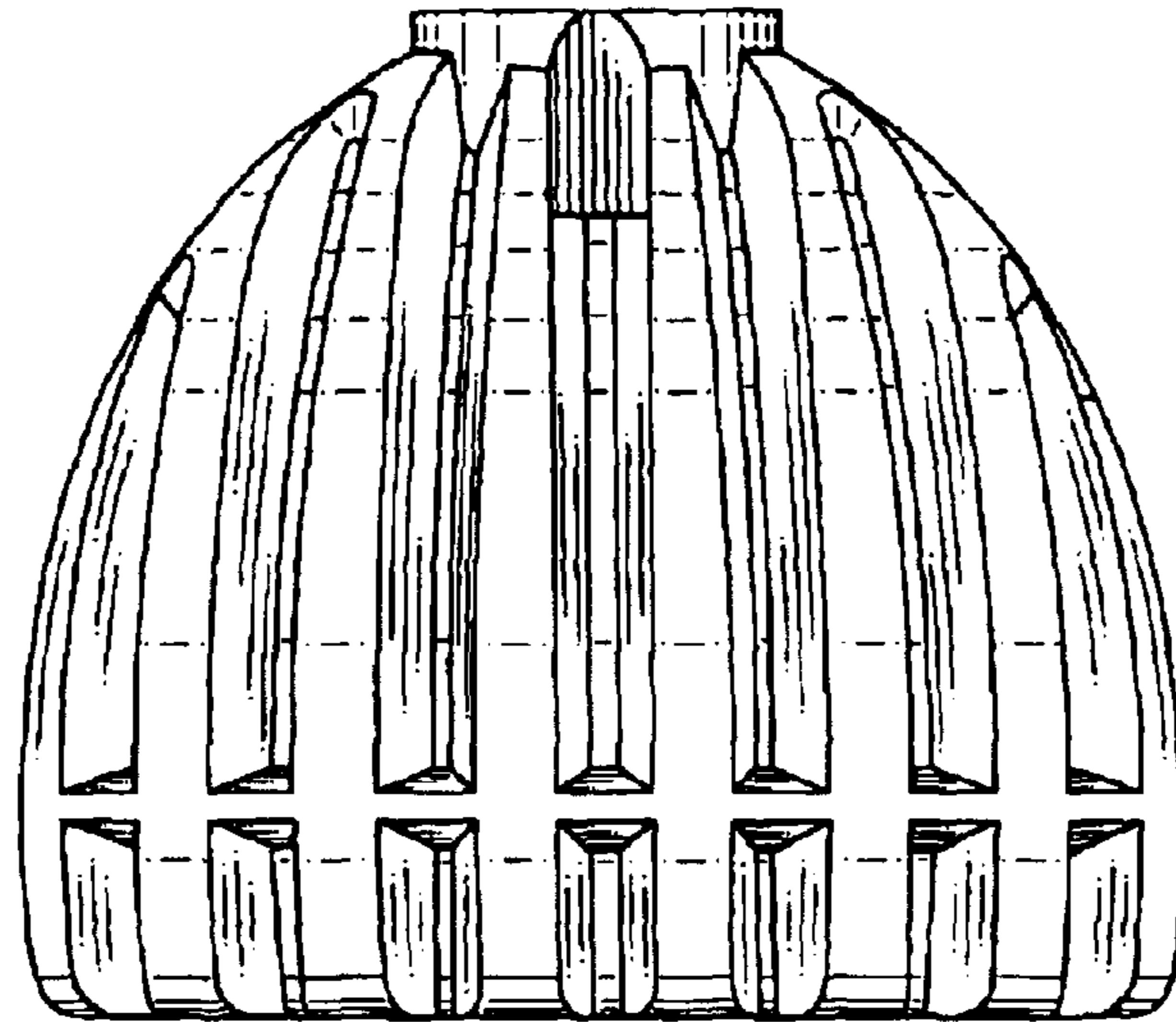


FIG. 3

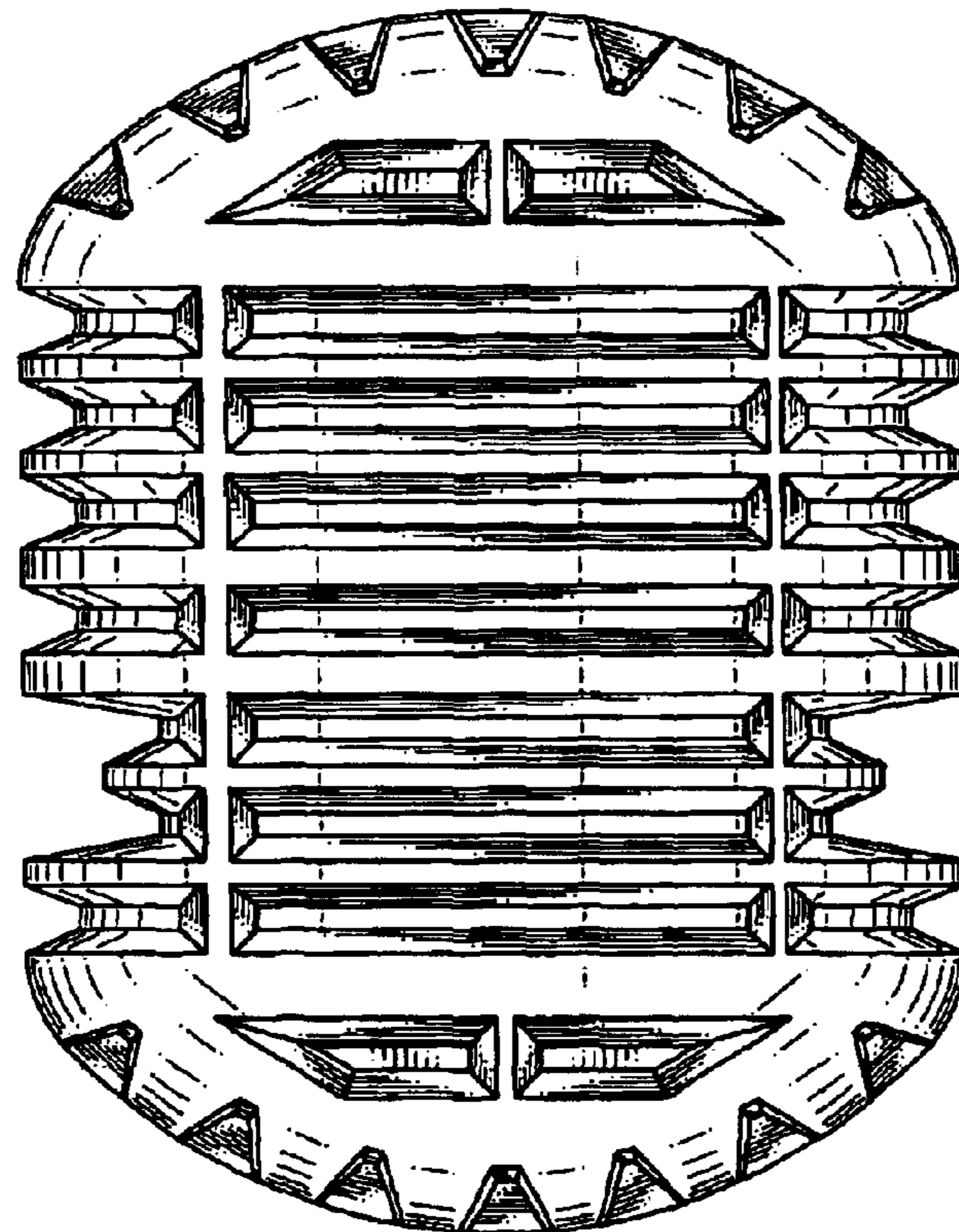


FIG. 4

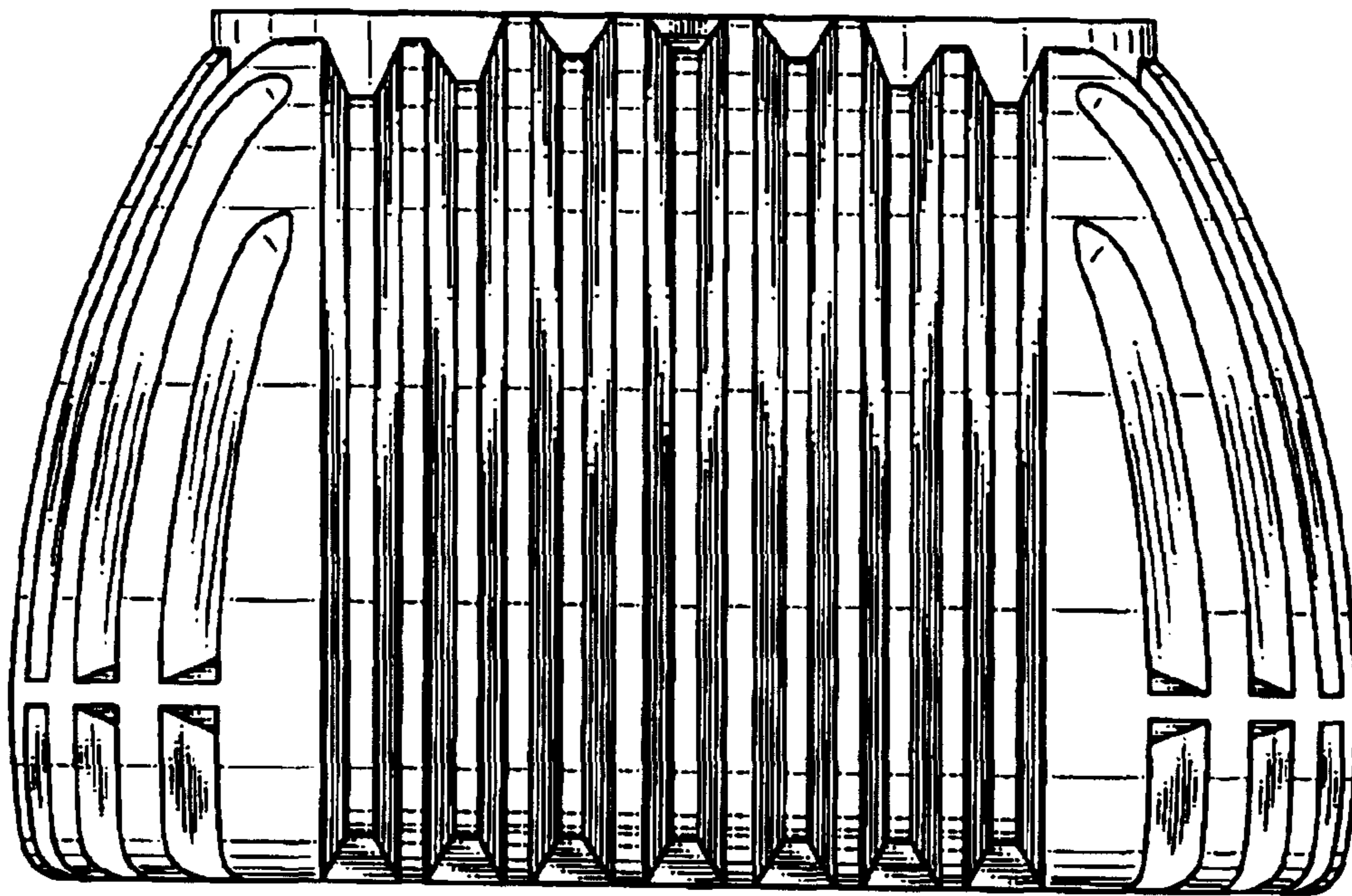


FIG.5