

US00D498800S

(12) **United States Design Patent** (10) **Patent No.:** **US D498,800 S**
Nye et al. (45) **Date of Patent:** **** Nov. 23, 2004**

(54) **BASKETBALL BACKBOARD**
 (75) Inventors: **Curtis Nye**, Clinton, UT (US); **Robert A. Astle**, Farmington, UT (US); **Christopher Anthony Parada**, Roy, UT (US); **Kevin Bingham**, deceased, late of Farmington, UT (US); by **Kathleen W. Bingham**, legal representative, Farmington, UT (US)

5,154,414 A 10/1992 Auer et al.
 5,211,393 A * 5/1993 Rolffs et al. 473/484
 D338,934 S * 8/1993 Vander Weide D21/702
 5,377,976 A 1/1995 Matherne et al.
 5,388,821 A 2/1995 Blackburn
 5,464,207 A 11/1995 Boitano
 5,480,139 A 1/1996 Owen, Jr. et al.
 6,004,231 A 12/1999 Schickert et al.
 6,077,177 A 6/2000 Winter et al.
 D431,620 S * 10/2000 Hill D21/704
 6,142,891 A 11/2000 Winter et al.
 6,155,938 A 12/2000 Mower
 D438,920 S * 3/2001 Matteucci et al. D21/701
 6,296,583 B1 10/2001 Tatar, Sr.

(73) Assignee: **Lifetime Products, Inc.**, Clearfield, UT (US)

(**) Term: **14 Years**

FOREIGN PATENT DOCUMENTS

(21) Appl. No.: **29/172,684**

WO DM/063148 * 9/2002

(22) Filed: **Dec. 16, 2002**

* cited by examiner

(51) **LOC (7) Cl.** **21-02**

Primary Examiner—Philip S. Hyder

(52) **U.S. Cl.** **D21/701; D21/703; D21/704**

Assistant Examiner—C Tuttle

(58) **Field of Search** **D21/701–705, D21/698, 699, 302, 303, 305; 473/433, 447–449, 472, 476, 479–489**

(74) *Attorney, Agent, or Firm*—Workman Nydegger

(57) **CLAIM**

The ornamental design for a basketball backboard, as shown and described.

(56) **References Cited**

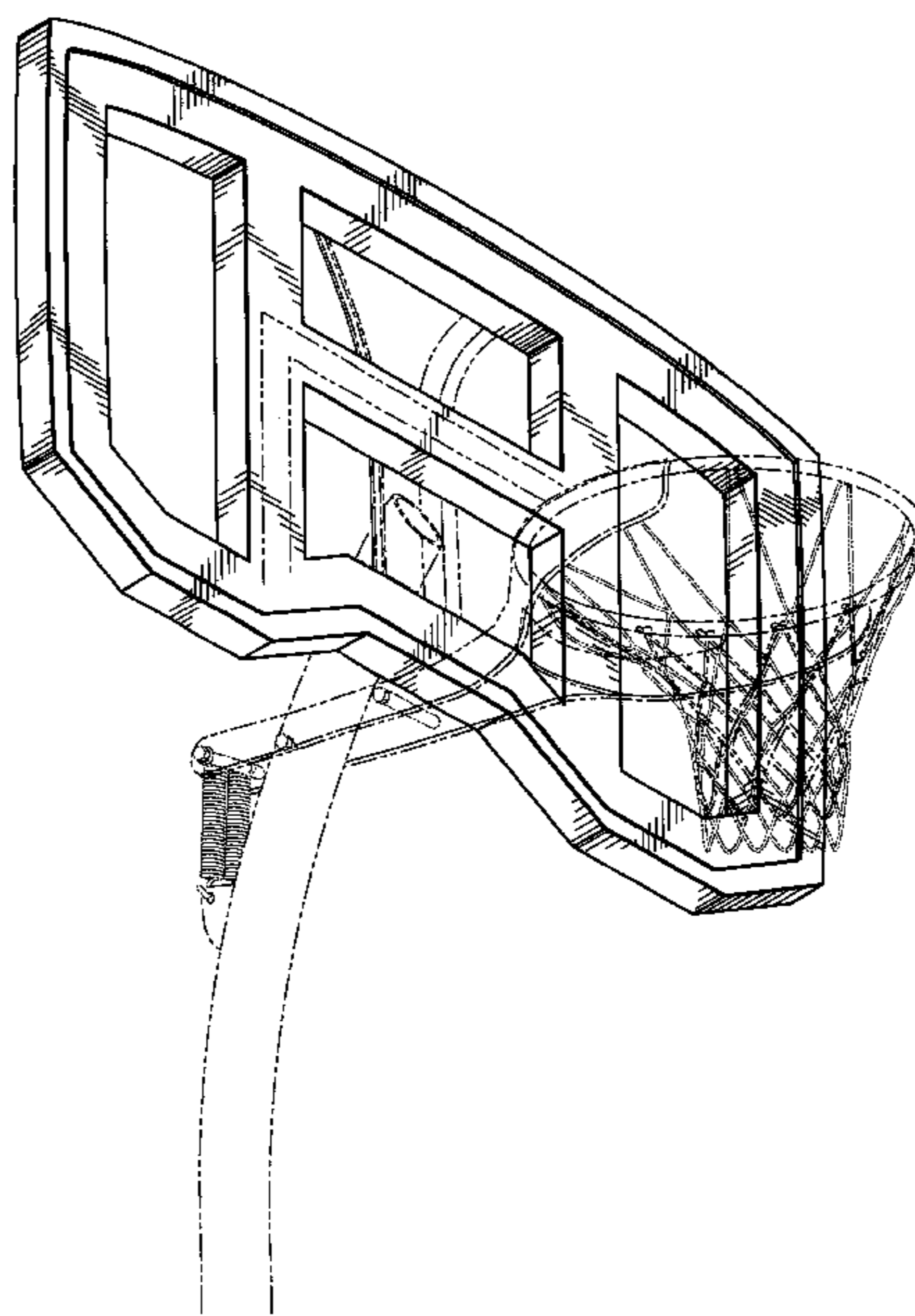
U.S. PATENT DOCUMENTS

D139,311 S * 10/1944 Gibson D21/702
 3,362,709 A 1/1968 Rossini
 3,462,143 A 8/1969 Bidelman et al.
 4,285,518 A 8/1981 Pearo
 4,465,277 A 8/1984 Dittrich
 4,534,556 A 8/1985 Estlund et al.
 4,575,079 A 3/1986 De Faveri
 4,676,503 A 6/1987 Mahoney et al.
 4,723,777 A 2/1988 Jolly
 4,793,611 A * 12/1988 Thornell 473/483
 4,846,469 A 7/1989 Nye
 4,895,365 A * 1/1990 Schroeder 473/481
 5,066,007 A 11/1991 Niver

DESCRIPTION

FIG. 1 is a perspective view of a basketball backboard; FIG. 2 is a front view of the basketball backboard; FIG. 3 is a back view of the basketball backboard; FIG. 4 is a top view of the basketball backboard; FIG. 5 is a left side view of the basketball backboard; FIG. 6 is a right side view of the basketball backboard; and, FIG. 7 is a bottom view of the basketball backboard. The broken lines shown in FIGS. 1, 2 and 3 are for illustrative purposes only and form no part of the claimed design.

1 Claim, 3 Drawing Sheets



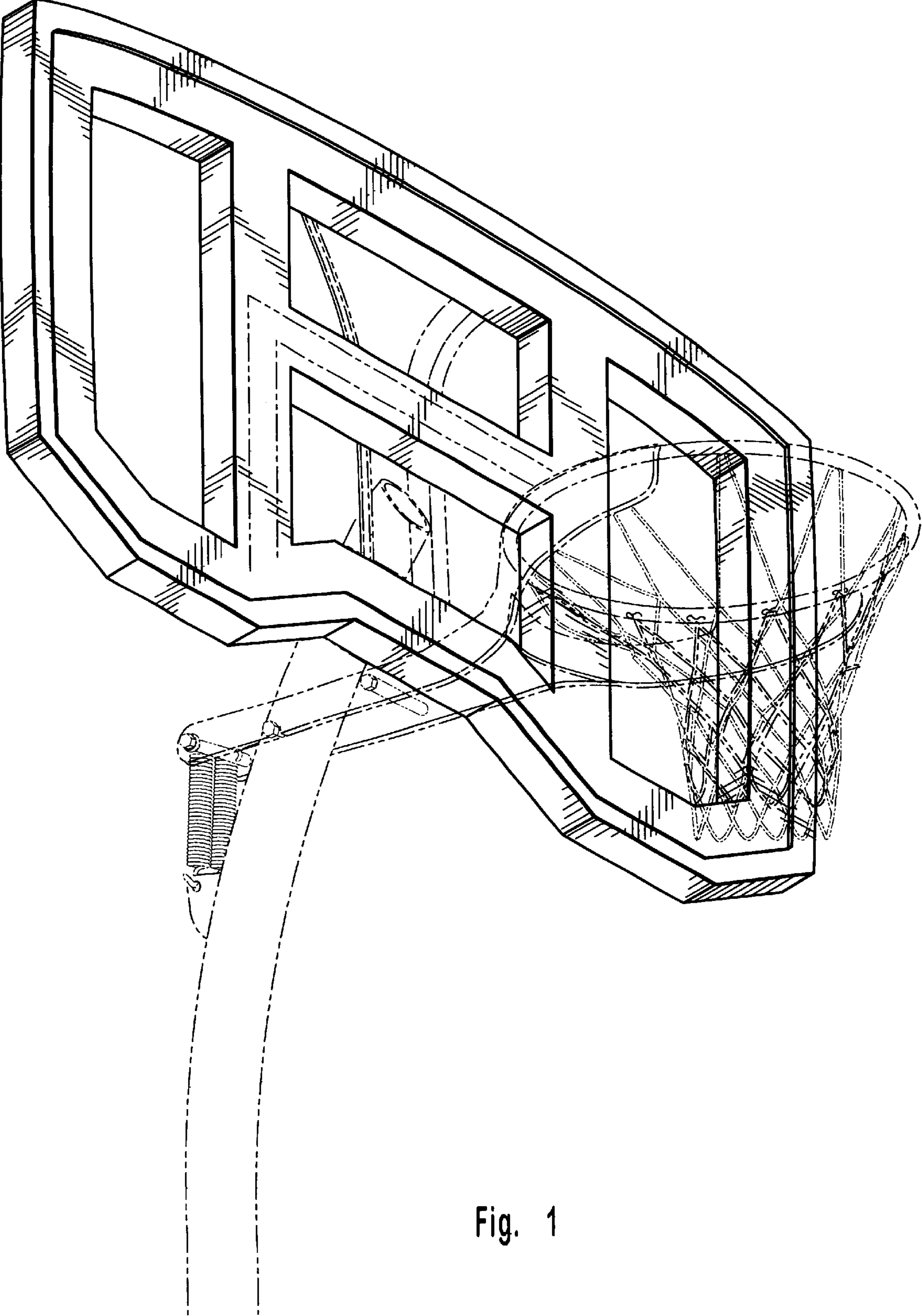


Fig. 1

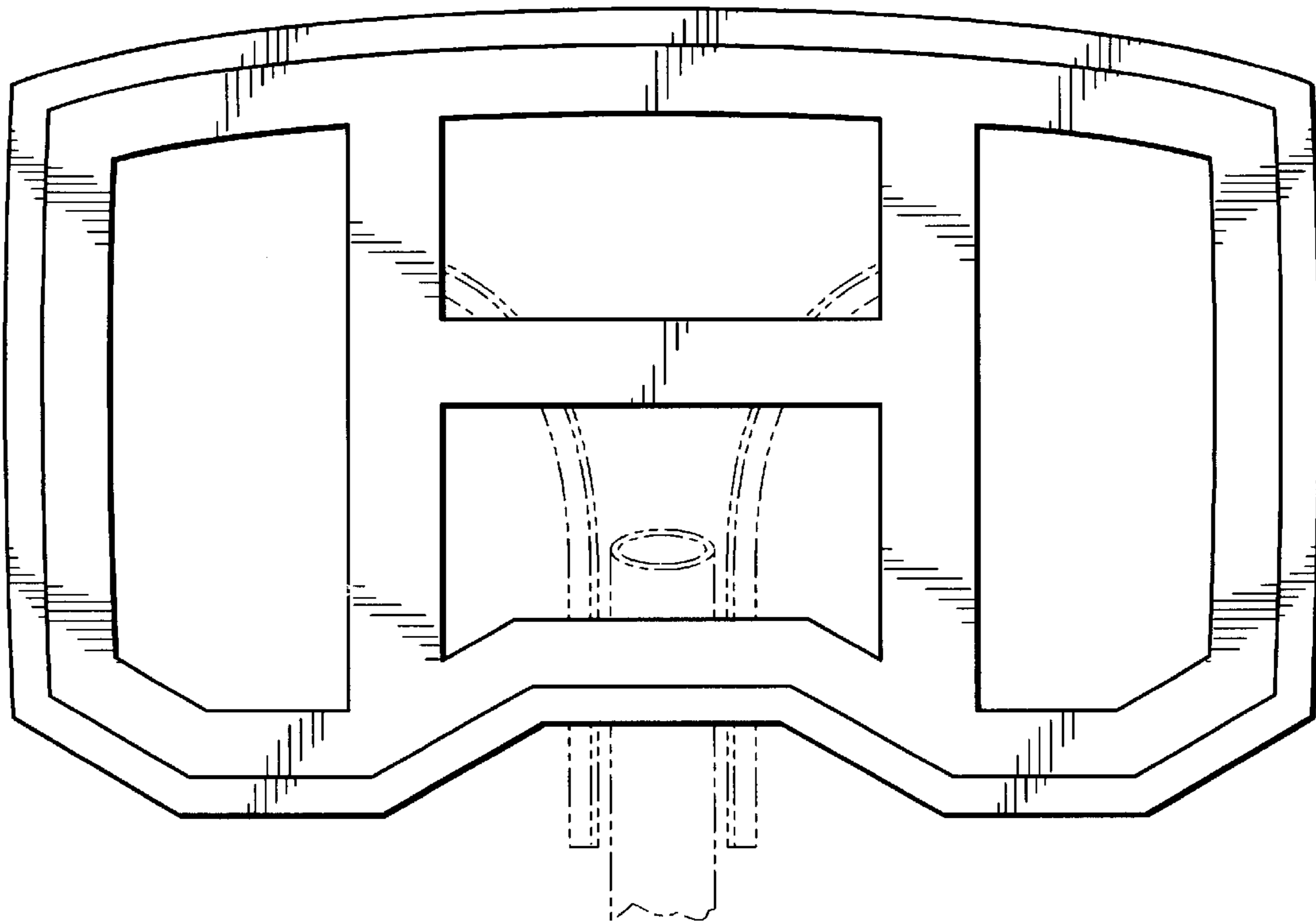


Fig. 2

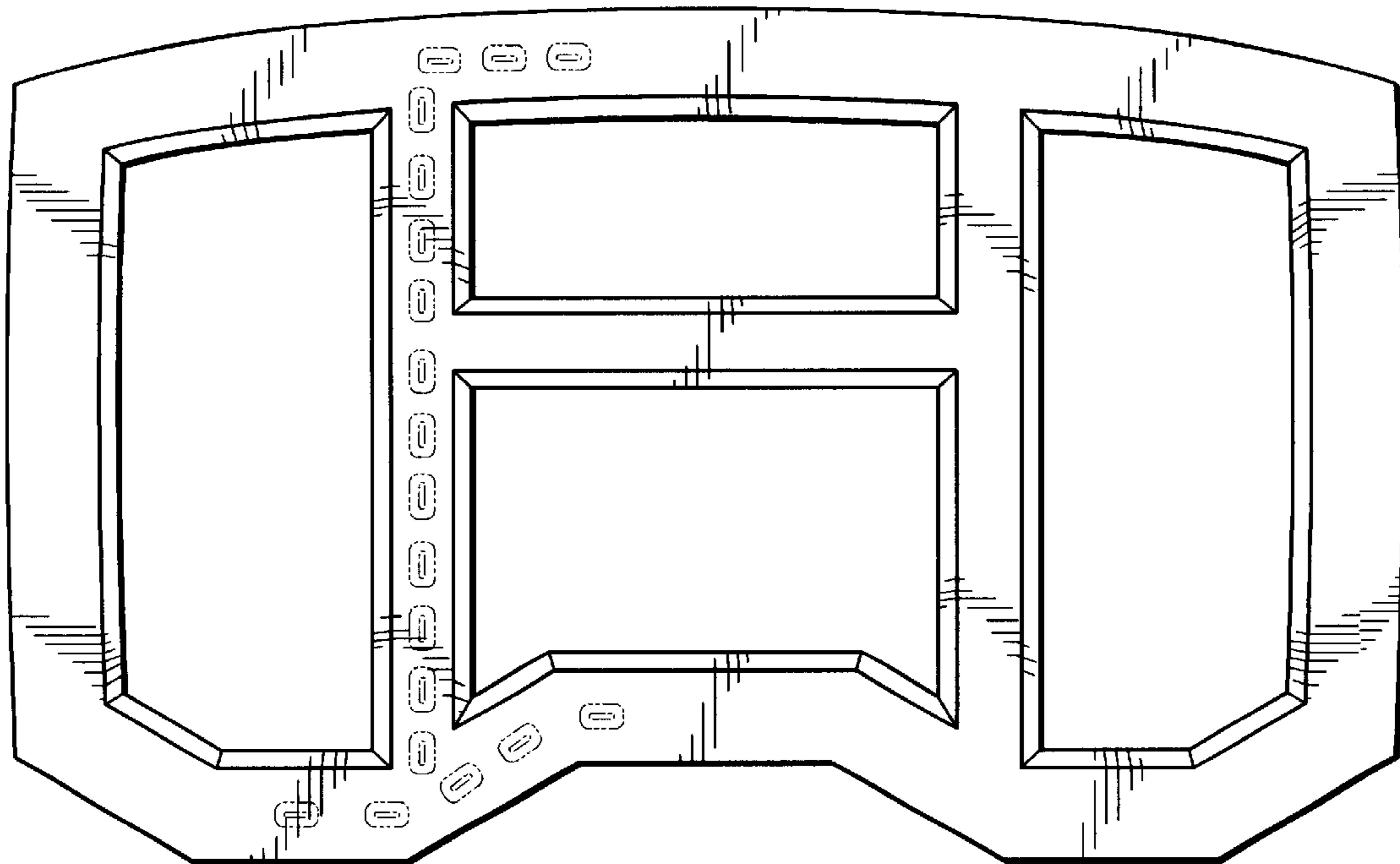


Fig. 3



Fig. 4

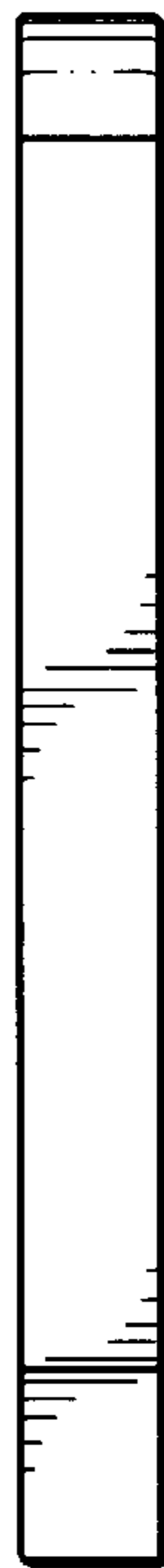


Fig. 5

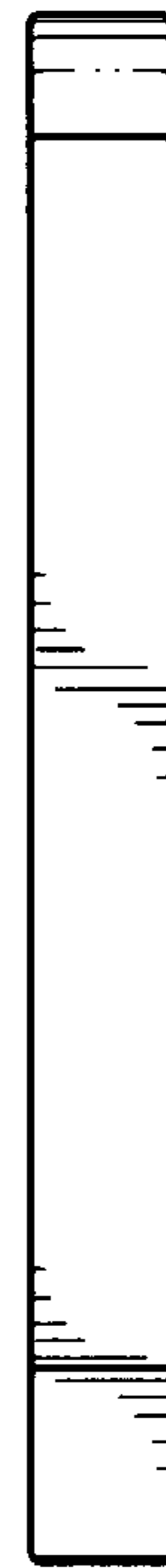


Fig. 6



Fig. 7