

US00D498798S

(12) **United States Design Patent**
Wei

(10) **Patent No.:** **US D498,798 S**
(45) **Date of Patent:** **** Nov. 23, 2004**

(54) **REMOTE CONTROL TOY CAR**

(75) **Inventor:** **Lim Ming Wei, Prai Penang (MY)**
(73) **Assignee:** **Nikko Electronics Bhd., Malaysia (JP)**
(**) **Term:** **14 Years**

(21) **Appl. No.:** **29/194,985**
(22) **Filed:** **Dec. 3, 2003**

(51) **LOC (7) Cl.** **21-01**
(52) **U.S. Cl.** **D21/550**
(58) **Field of Search** **D21/433-434,**
D21/533, 549-550, 552, 556, 559, 576-582,
584; 446/93, 95, 465, 469-471, 441, 444,
449, 451, 454-457; D12/93, 96-98, 87

(56) **References Cited**

U.S. PATENT DOCUMENTS

5,102,367	A	*	4/1992	Mullaney et al.	446/465
5,334,075	A	*	8/1994	Kakizaki et al.	446/456
D368,746	S	*	4/1996	Chilton et al.	D21/584
D425,141	S	*	5/2000	Park	D21/550
D454,602	S	*	3/2002	Tse	D21/552
D469,828	S	*	2/2003	Tsai	D21/581

OTHER PUBLICATIONS

Tower Hobbies, p. 74, Jun. 1991.*

* cited by examiner

Primary Examiner—Raphael Barkai

(74) *Attorney, Agent, or Firm*—Young Lawfirm, P.C.

(57) **CLAIM**

The ornamental design for a remote control toy car, as shown.

DESCRIPTION

FIG. 1 is a front view of a remote control toy car according to the present invention.

FIG. 2 is a perspective view of the remote control toy car of FIG. 1.

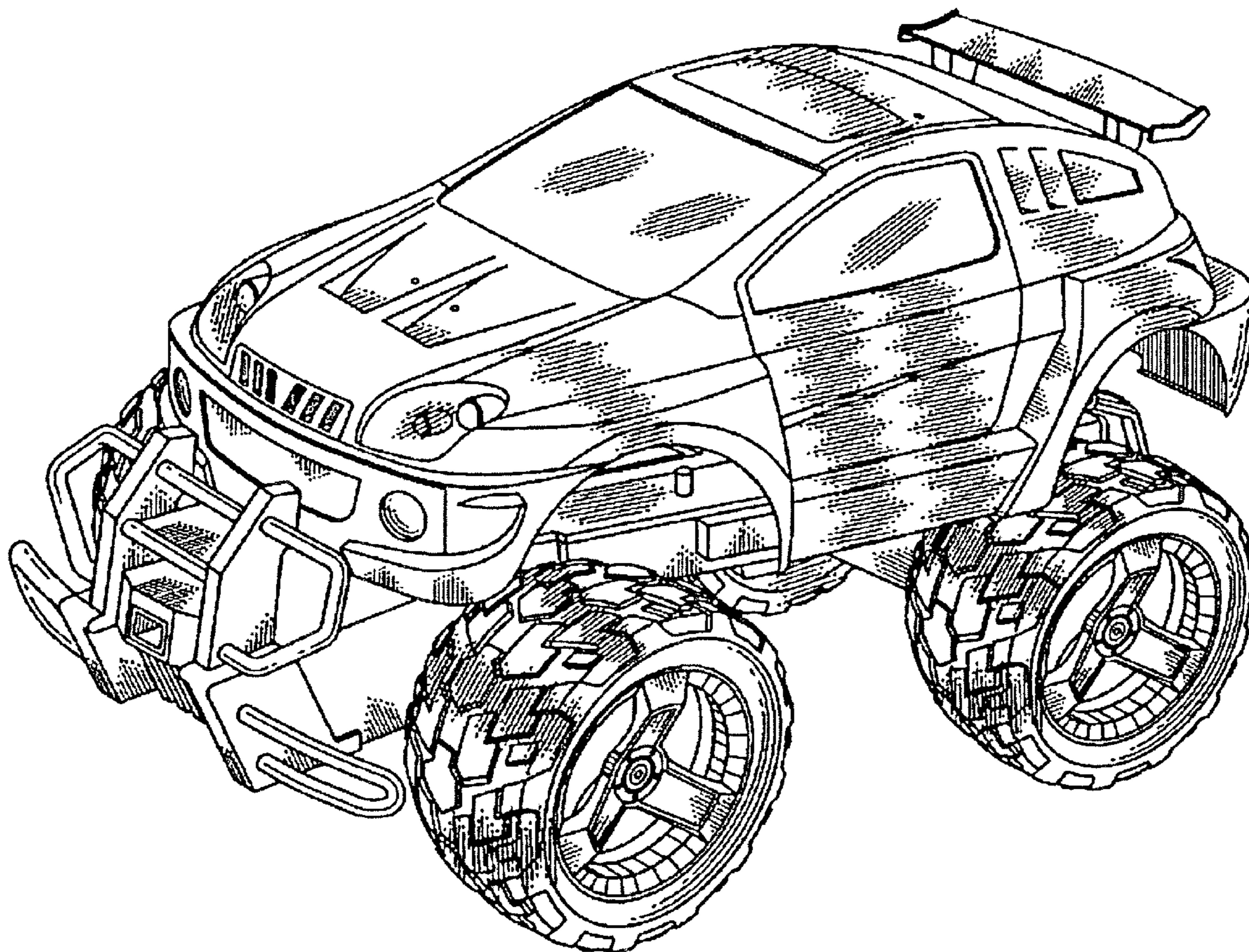
FIG. 3 is a rear view of the remote control toy car of FIG. 1.

FIG. 4 is a top view of the remote control toy car of FIG. 1.

FIG. 5 is a bottom view of the remote control toy car of FIG. 1.

FIG. 6 is a left side view of the remote control toy car of FIG. 1; and,
FIG. 7 is a right side view of the remote control toy car of FIG. 1.

1 Claim, 7 Drawing Sheets



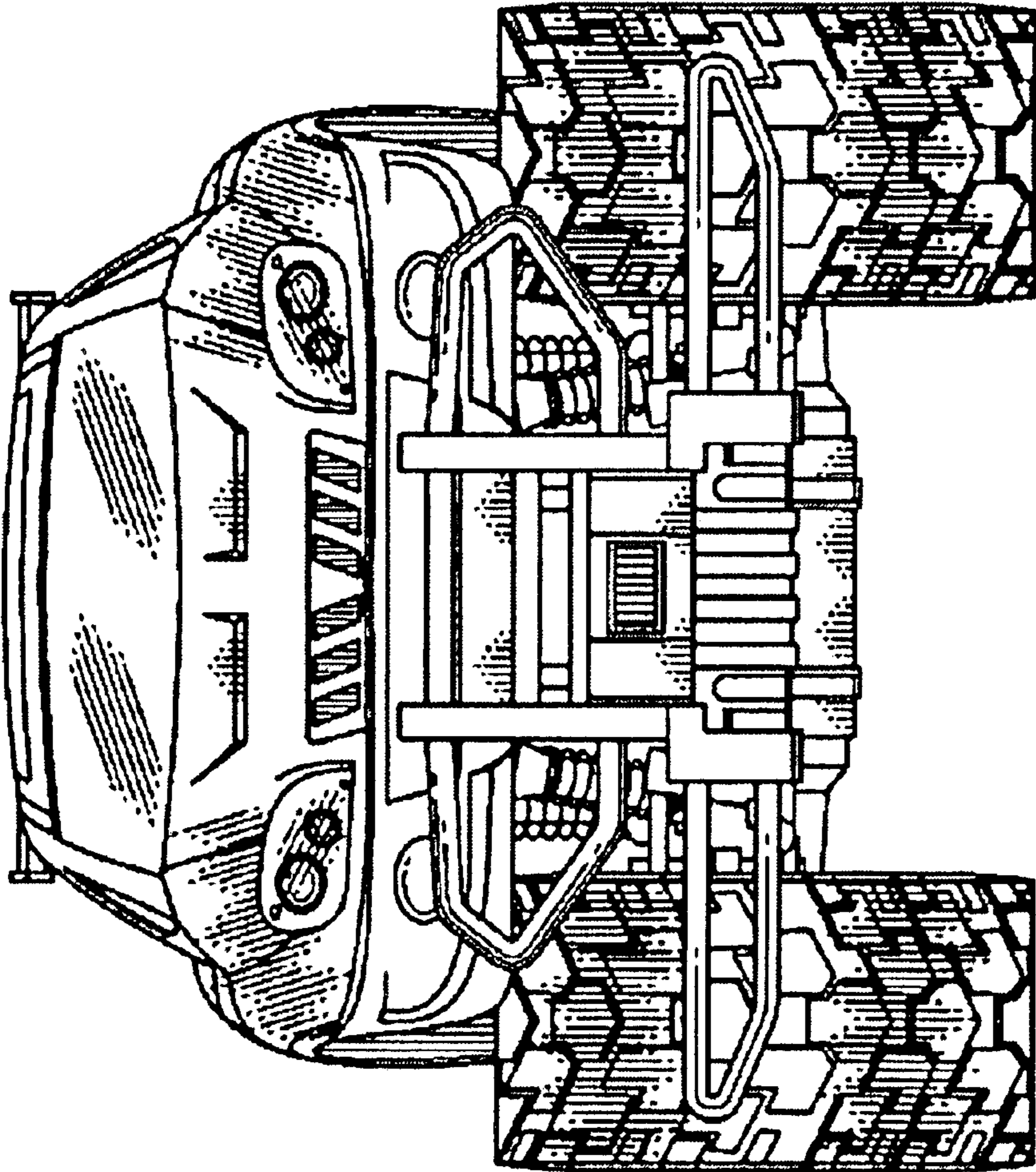


FIG. 1

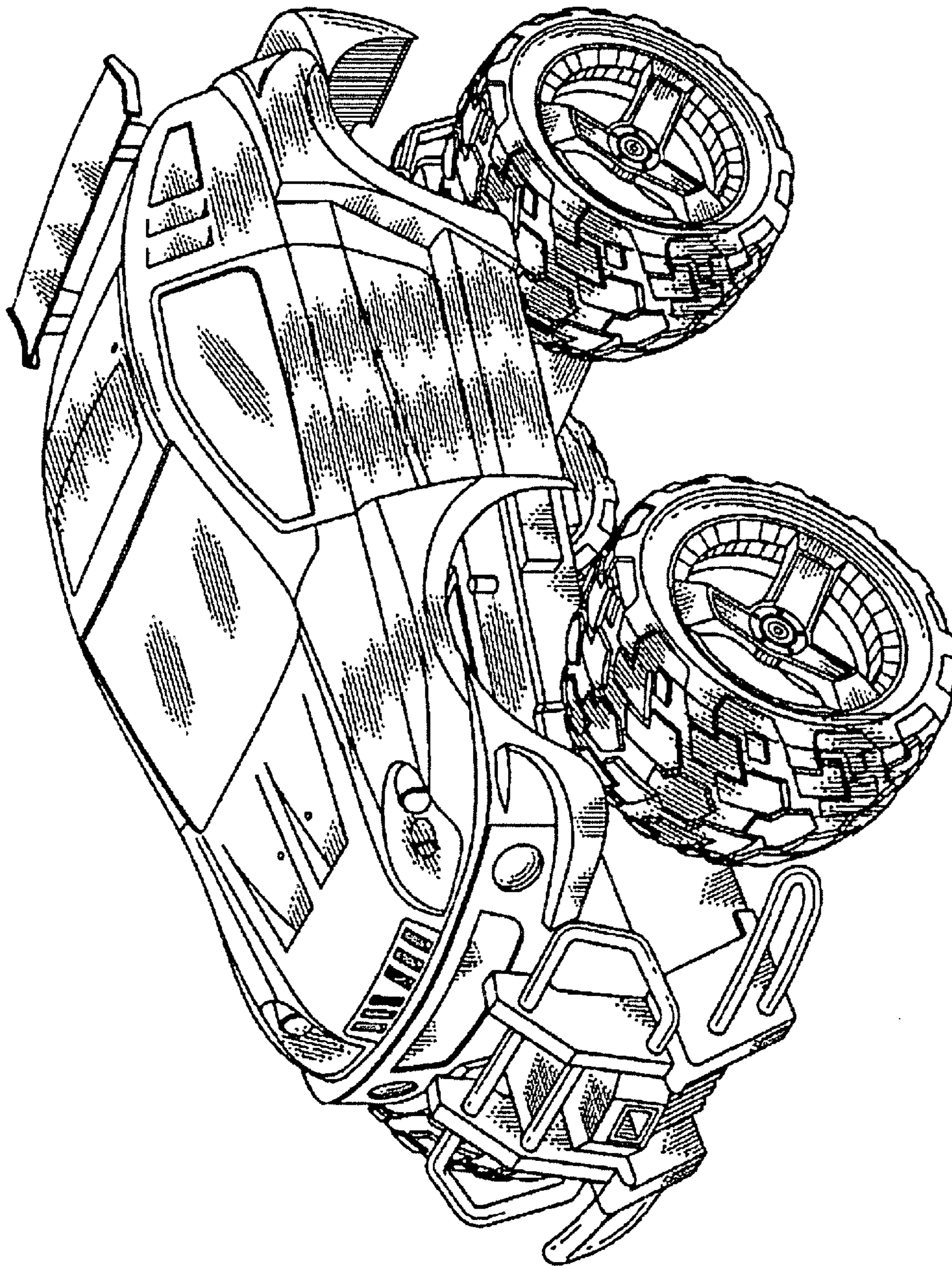


FIG. 2

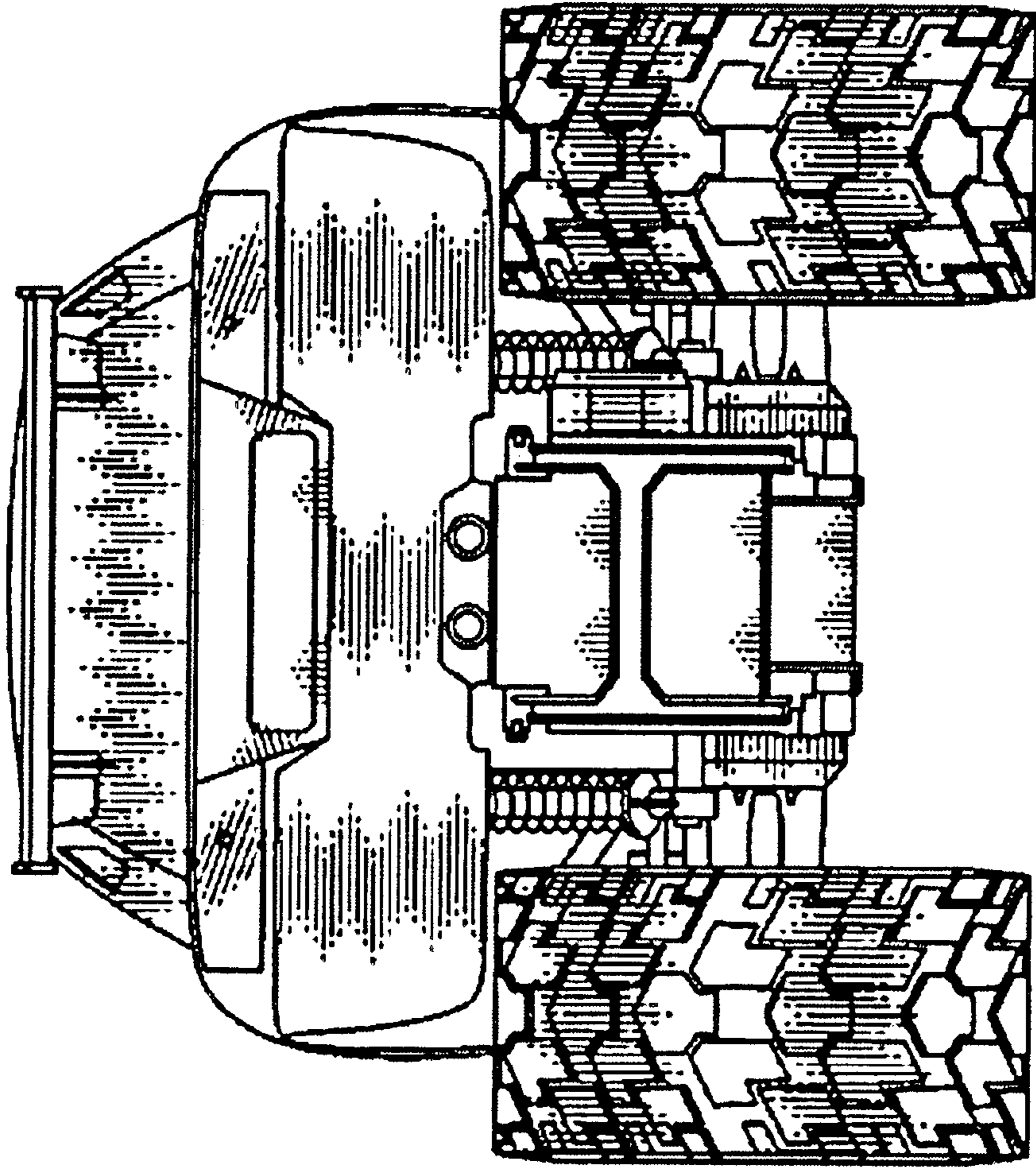


FIG. 3

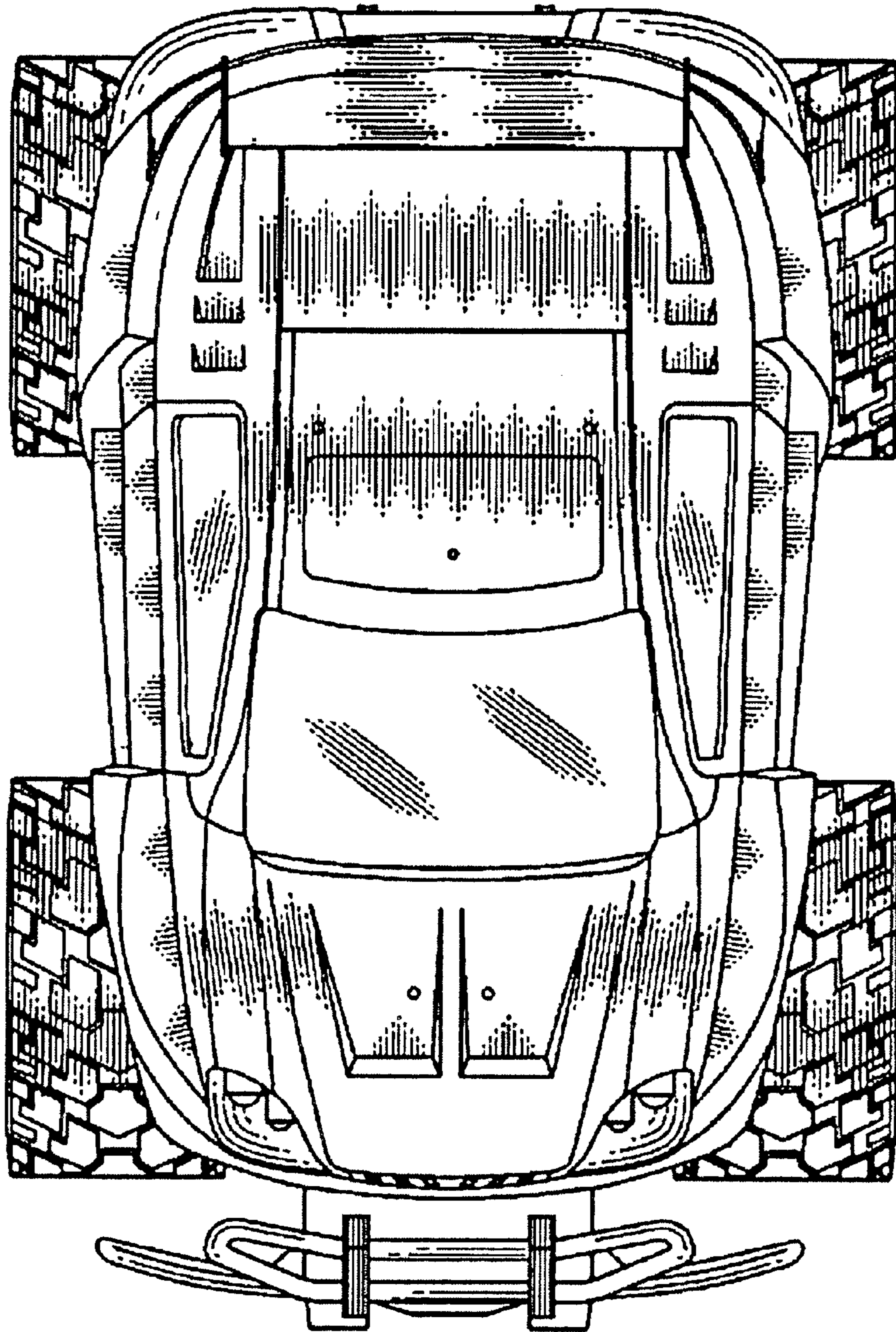


FIG. 4

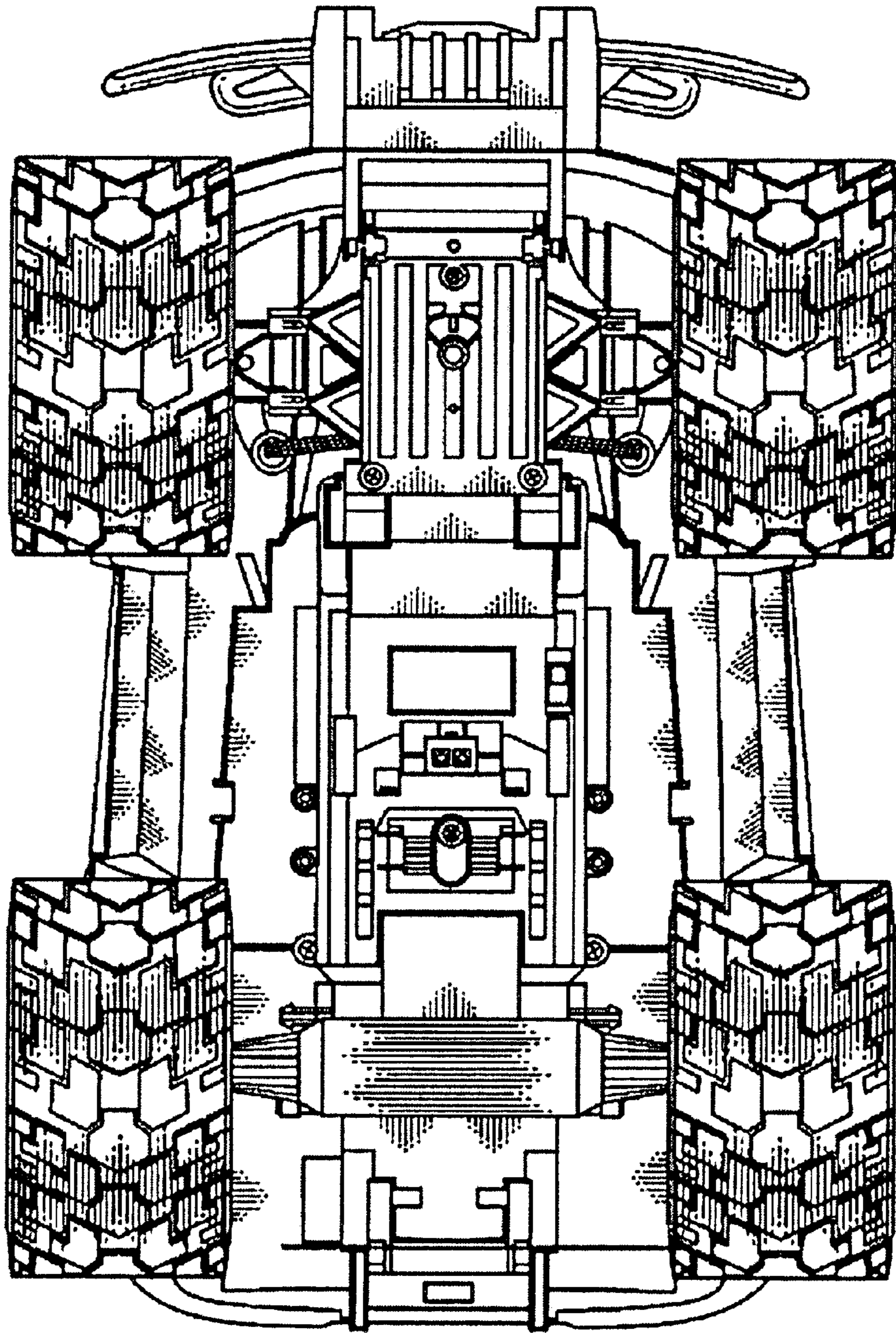


FIG. 5

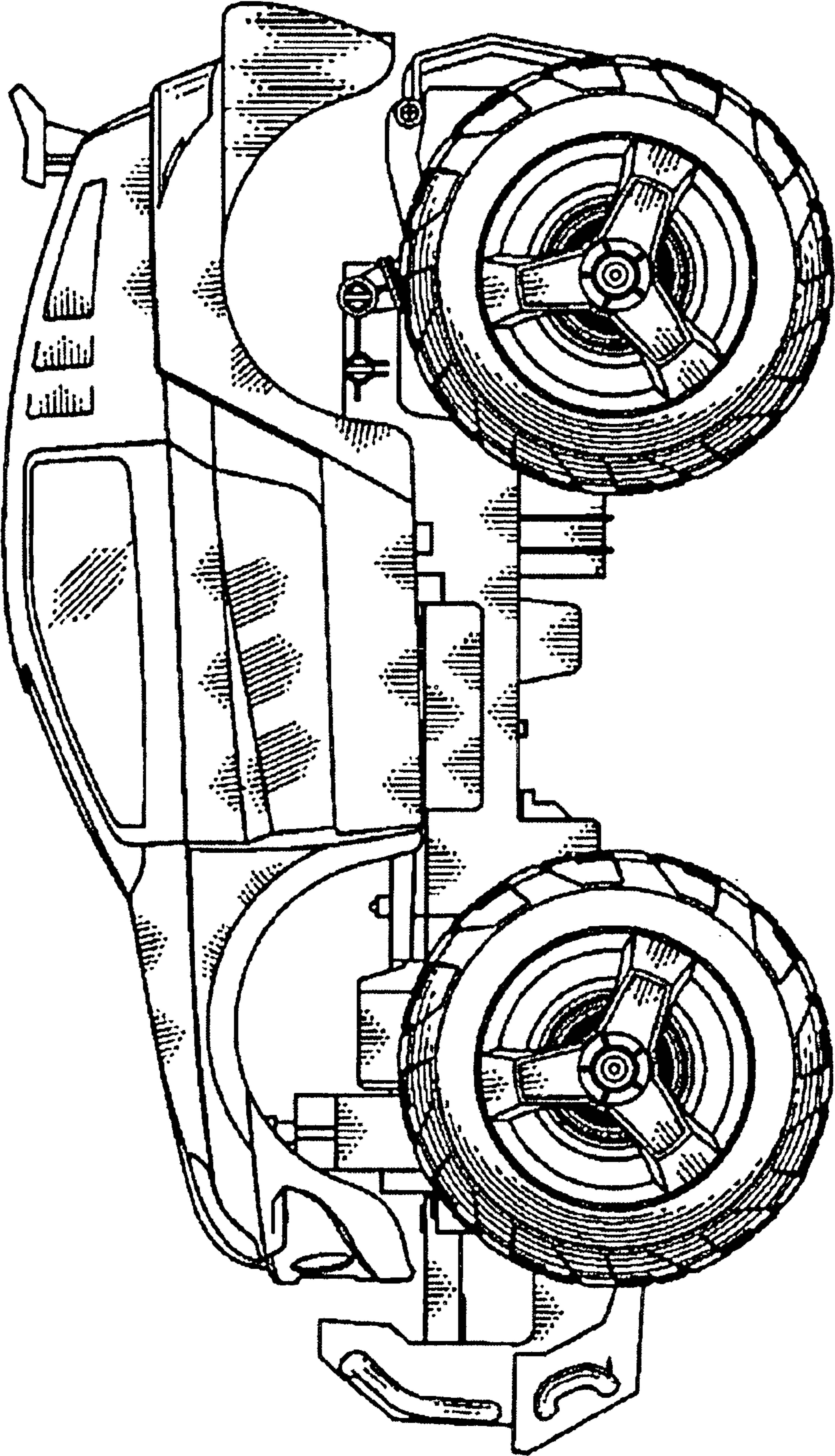


FIG. 6

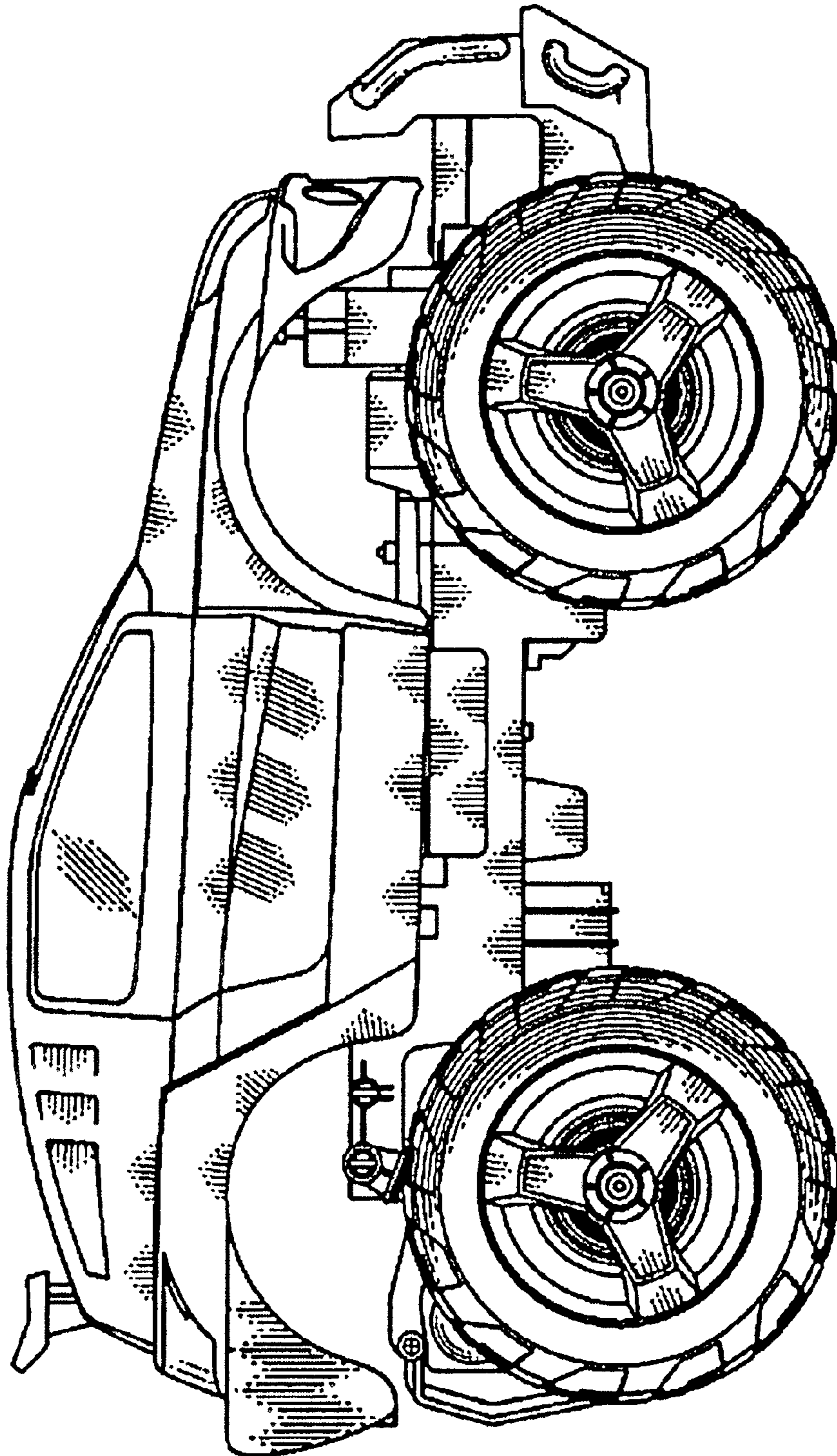


FIG. 7