

US00D498795S

(12) **United States Design Patent** (10) **Patent No.:** **US D498,795 S**
Nunn (45) **Date of Patent:** **** Nov. 23, 2004**

(54) **FRONT BEZEL OF A DOCUMENT VALIDATOR**

Primary Examiner—Robert M. Spear
(74) *Attorney, Agent, or Firm*—Fish & Richardson P.C.

(75) **Inventor:** **Michael D. Nunn**, West Chester, PA (US)

(57) **CLAIM**

The ornamental design for a front bezel of a document validator, as shown and described.

(73) **Assignee:** **Mars, Incorporated**, McLean, VA (US)

(**) **Term:** **14 Years**

DESCRIPTION

(21) **Appl. No.:** **29/192,843**

FIG. 1 is an isometric view of a front bezel of a document validator according to a first embodiment of my design.

(22) **Filed:** **Oct. 30, 2003**

FIG. 2 is a front view thereof.

(51) **LOC (7) Cl.** **20-01**

FIG. 3 is a right side view thereof.

(52) **U.S. Cl.** **D20/8**

FIG. 4 is a left side view thereof.

(58) **Field of Search** D20/1-9, 99; 194/206-7, 194/239, 320, 336, 342, 345, 350; 221/128, 155, 191, 194, 284; D18/3.2-3.3, 47, 56; D99/28

FIG. 5 is a top view thereof.

FIG. 6 is a bottom view thereof.

(56) **References Cited**

FIGS. 7 through 12 are, respectively, isometric, front, right side, left side, top and bottom views according to a second embodiment of my design which shows all of the alternative features; and,

U.S. PATENT DOCUMENTS

FIGS. 13 through 18 are, respectively, isometric, front, right side, left side, top and bottom views according to a third embodiment of my design which shows all of the alternative features.

D152,587 S * 2/1949 Brundage D20/8

D359,765 S * 6/1995 Izawa D20/9

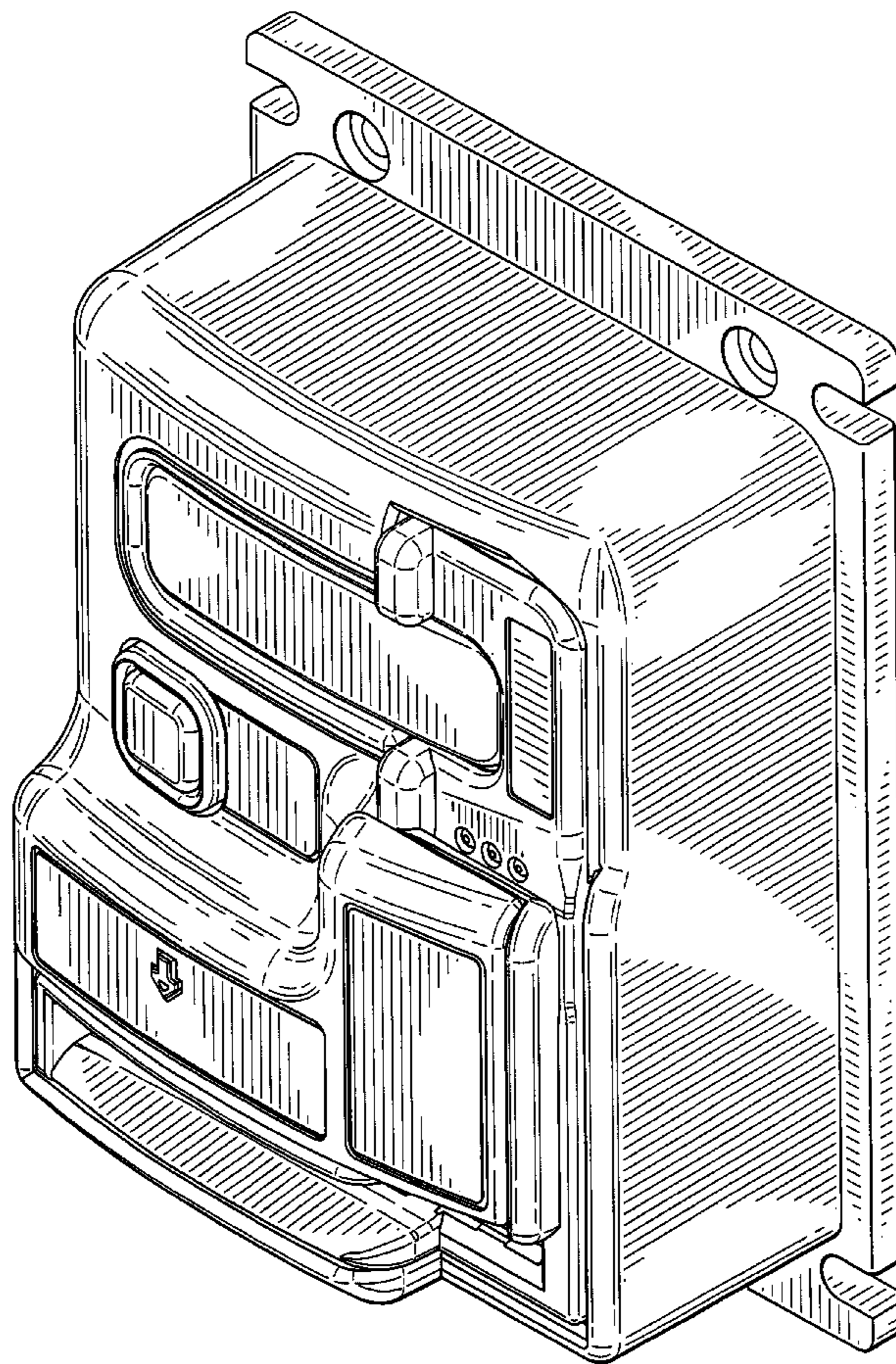
D400,929 S * 11/1998 Tanaka D20/9

D432,286 S * 10/2000 Irie D99/34

D477,030 S * 7/2003 Kolls et al. D20/8

* cited by examiner

1 Claim, 15 Drawing Sheets



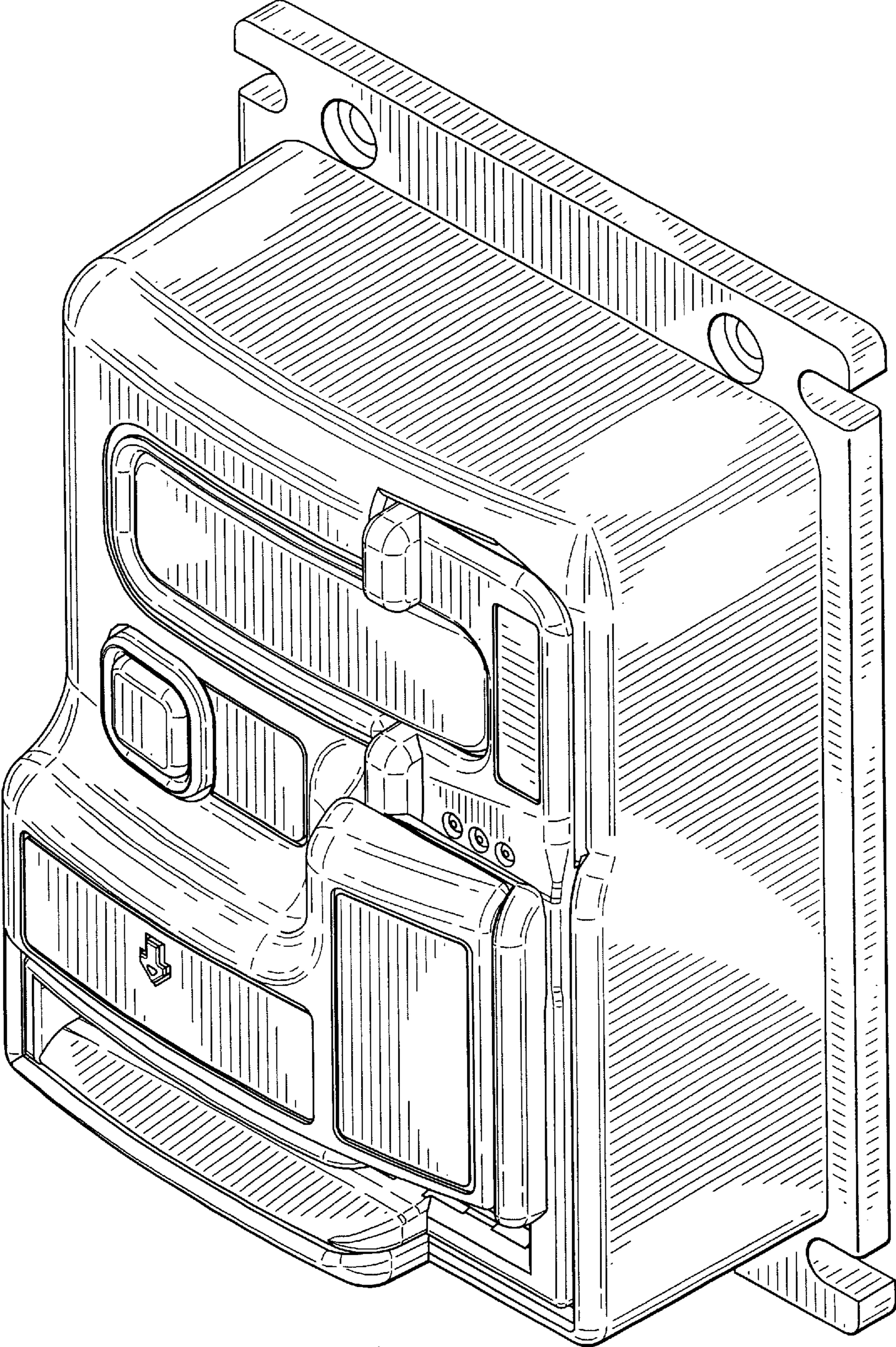


FIG. 1

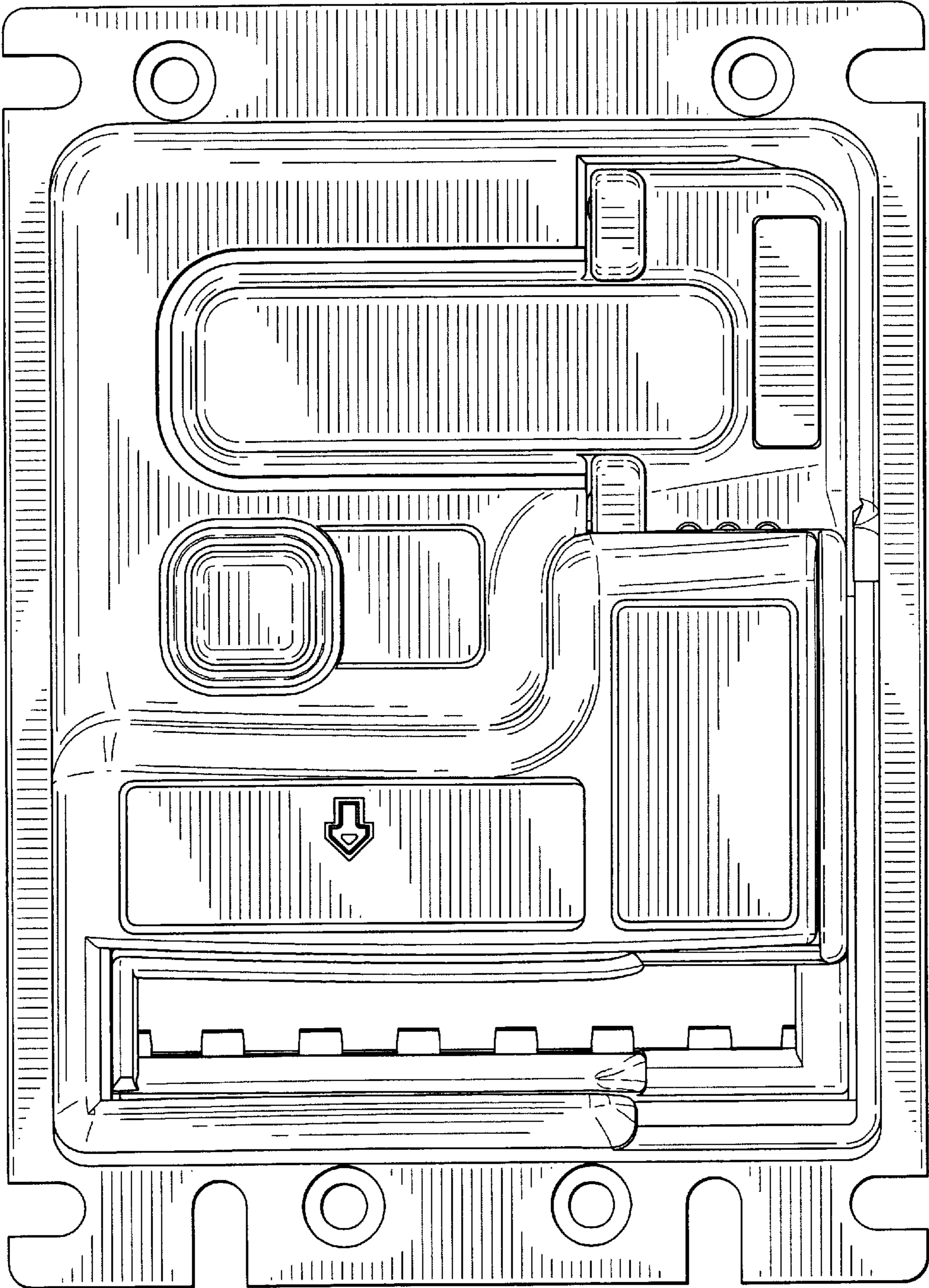


FIG. 2

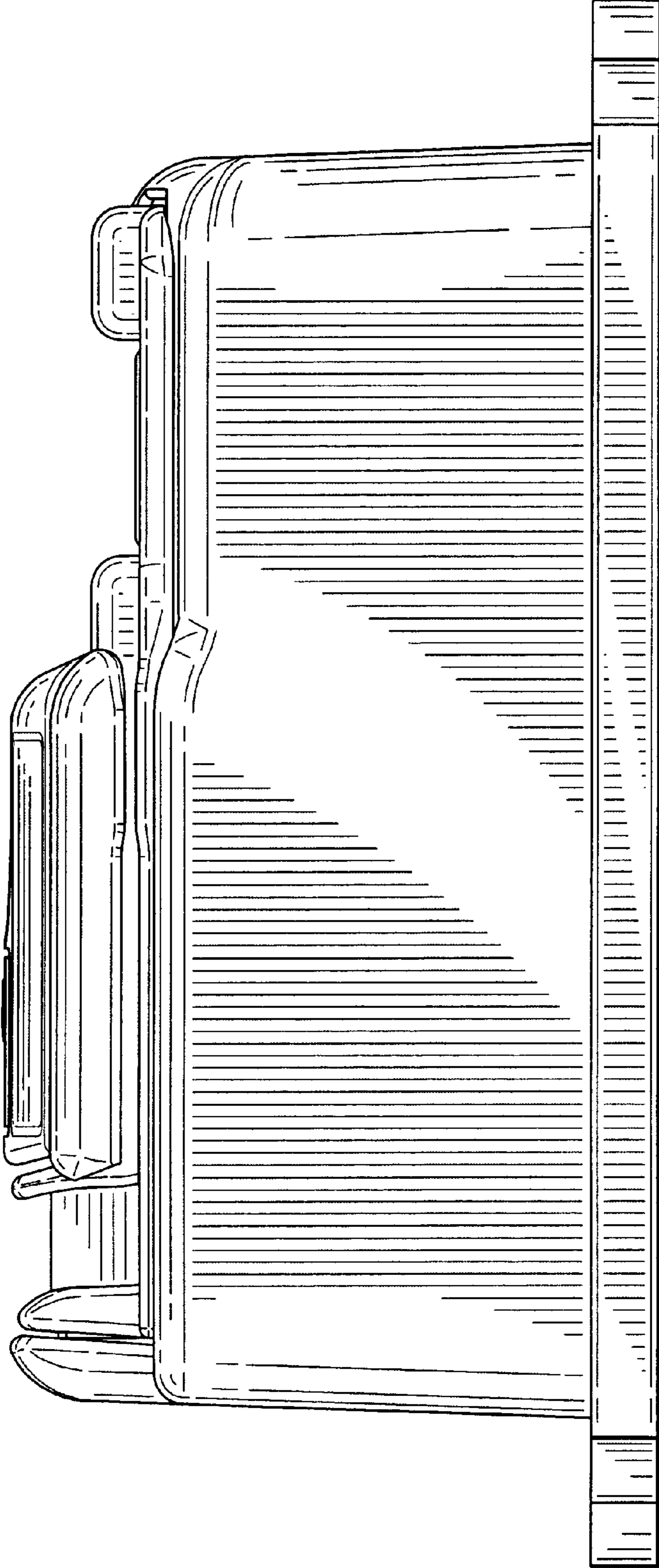


FIG. 3

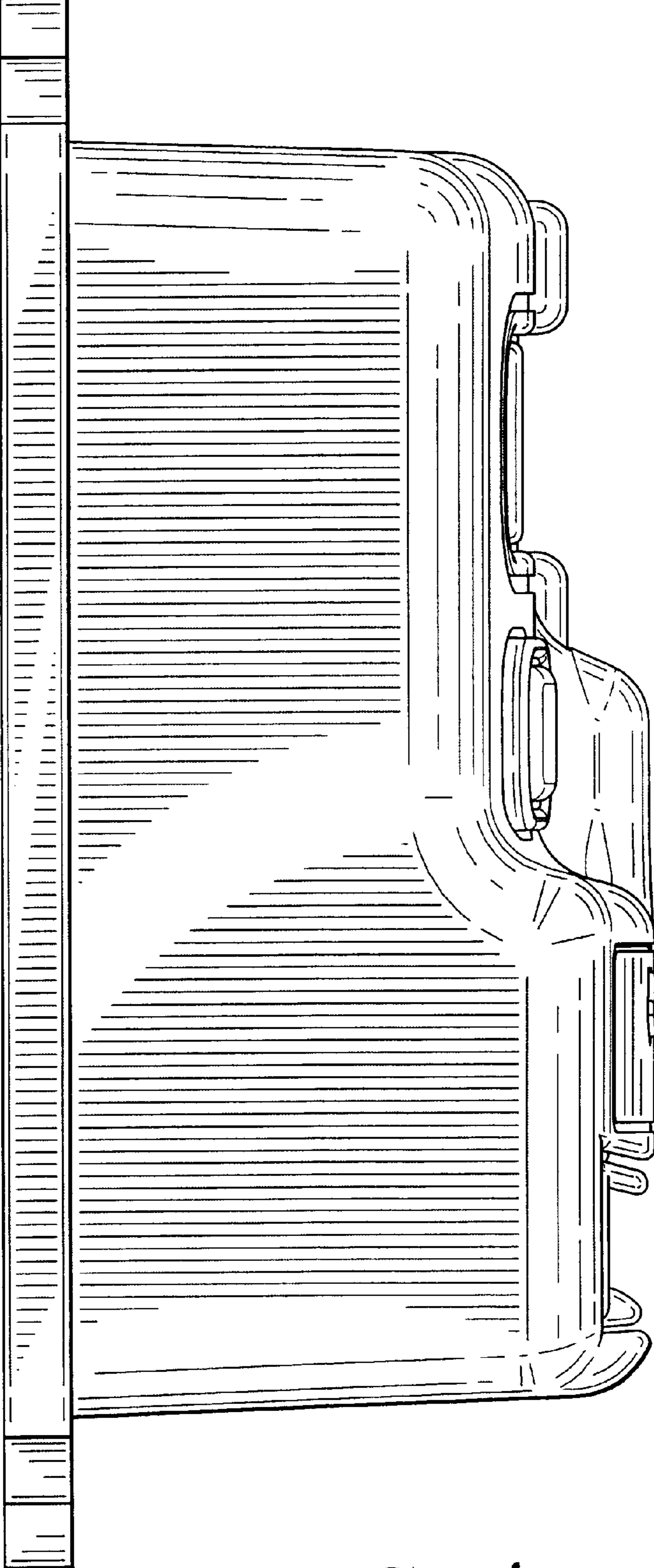


FIG. 4

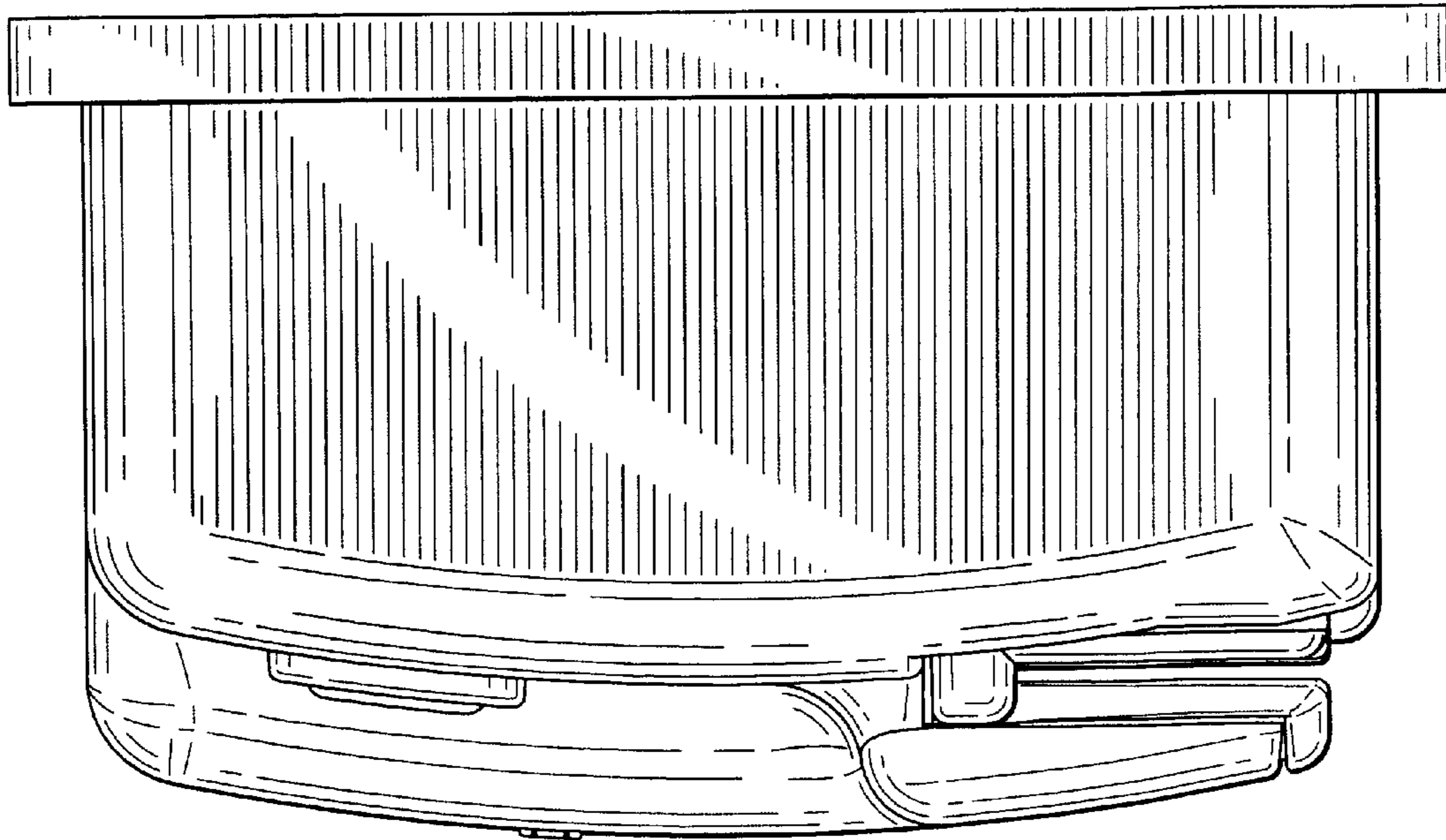


FIG. 5

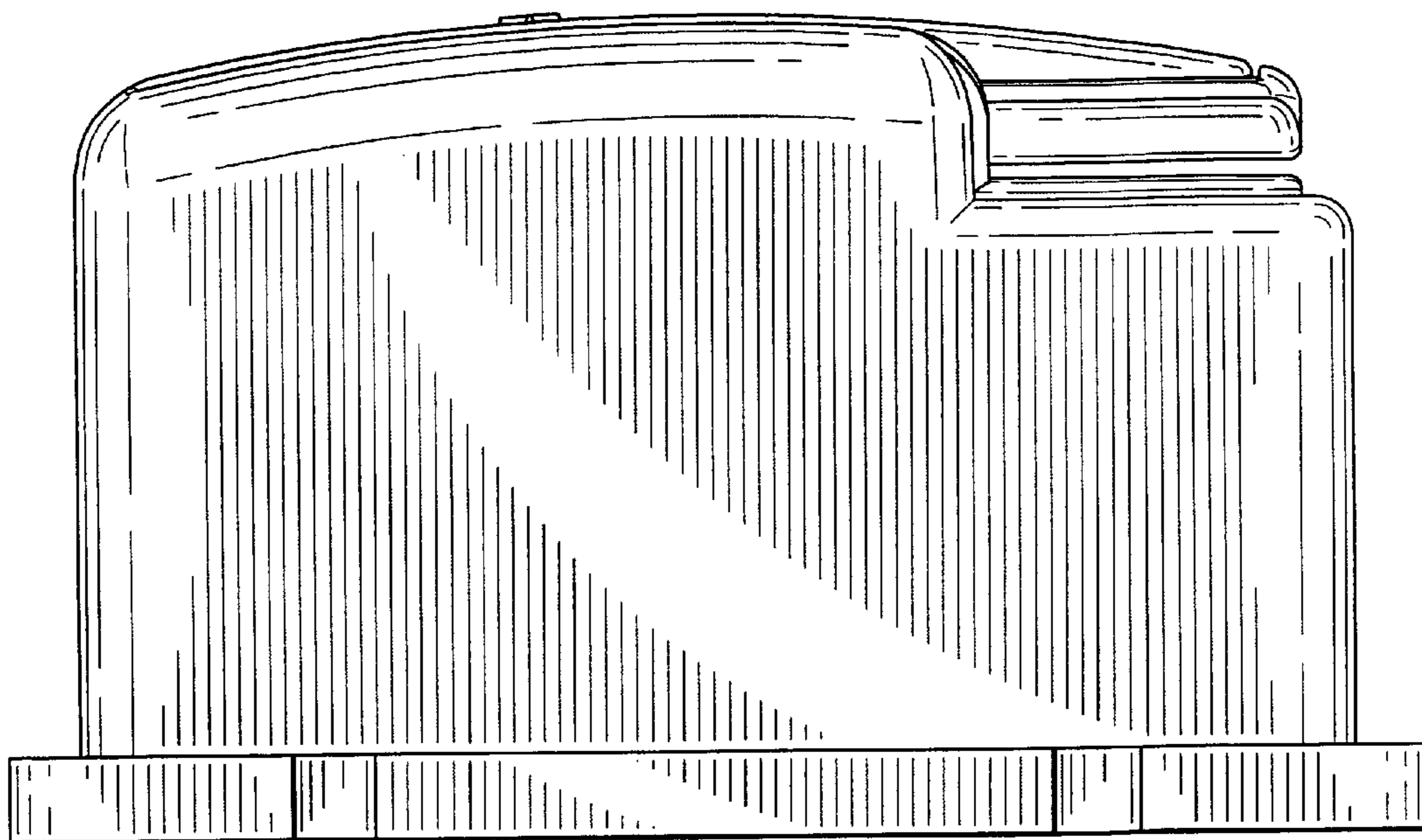


FIG. 6

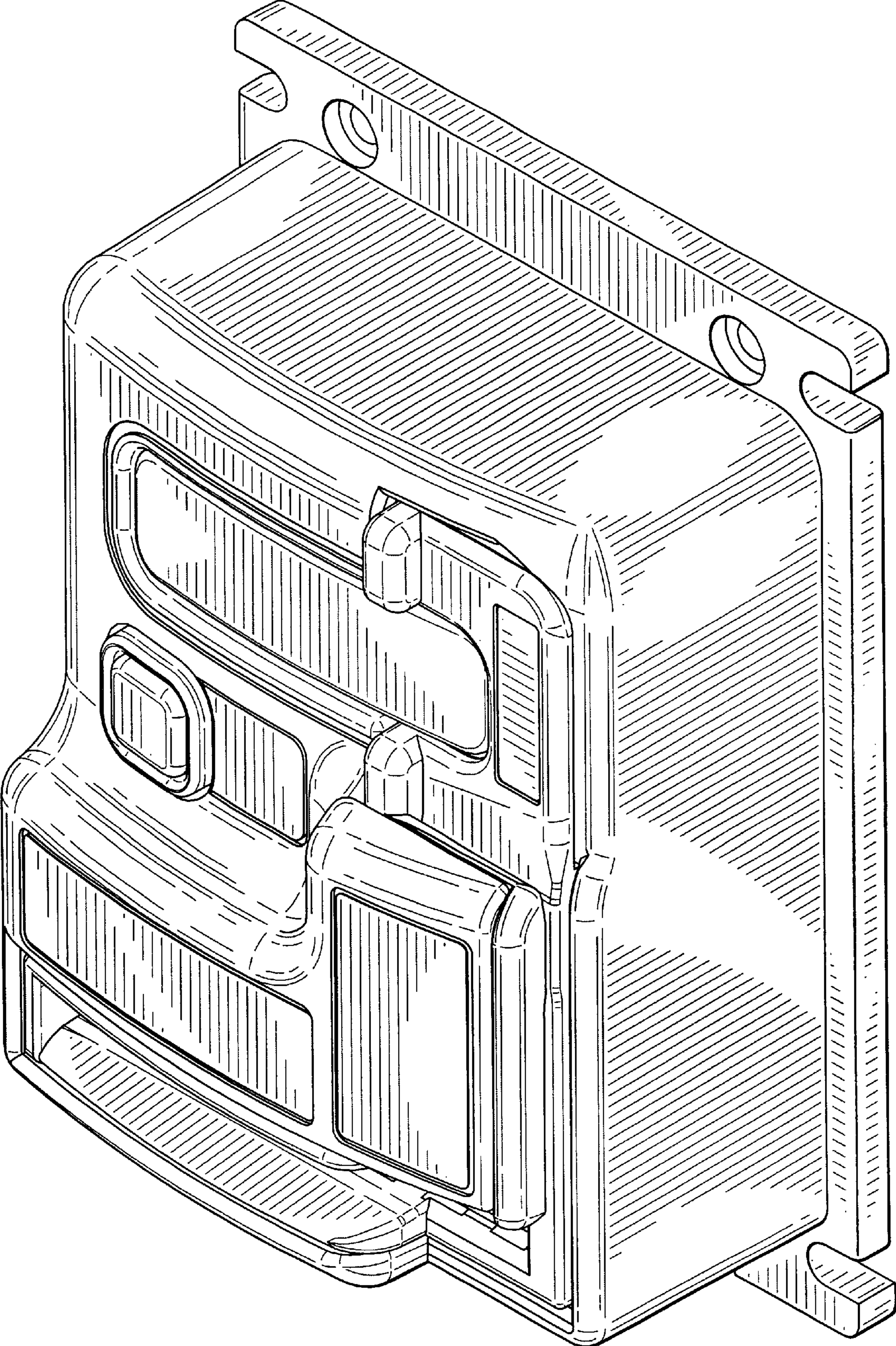


FIG. 7

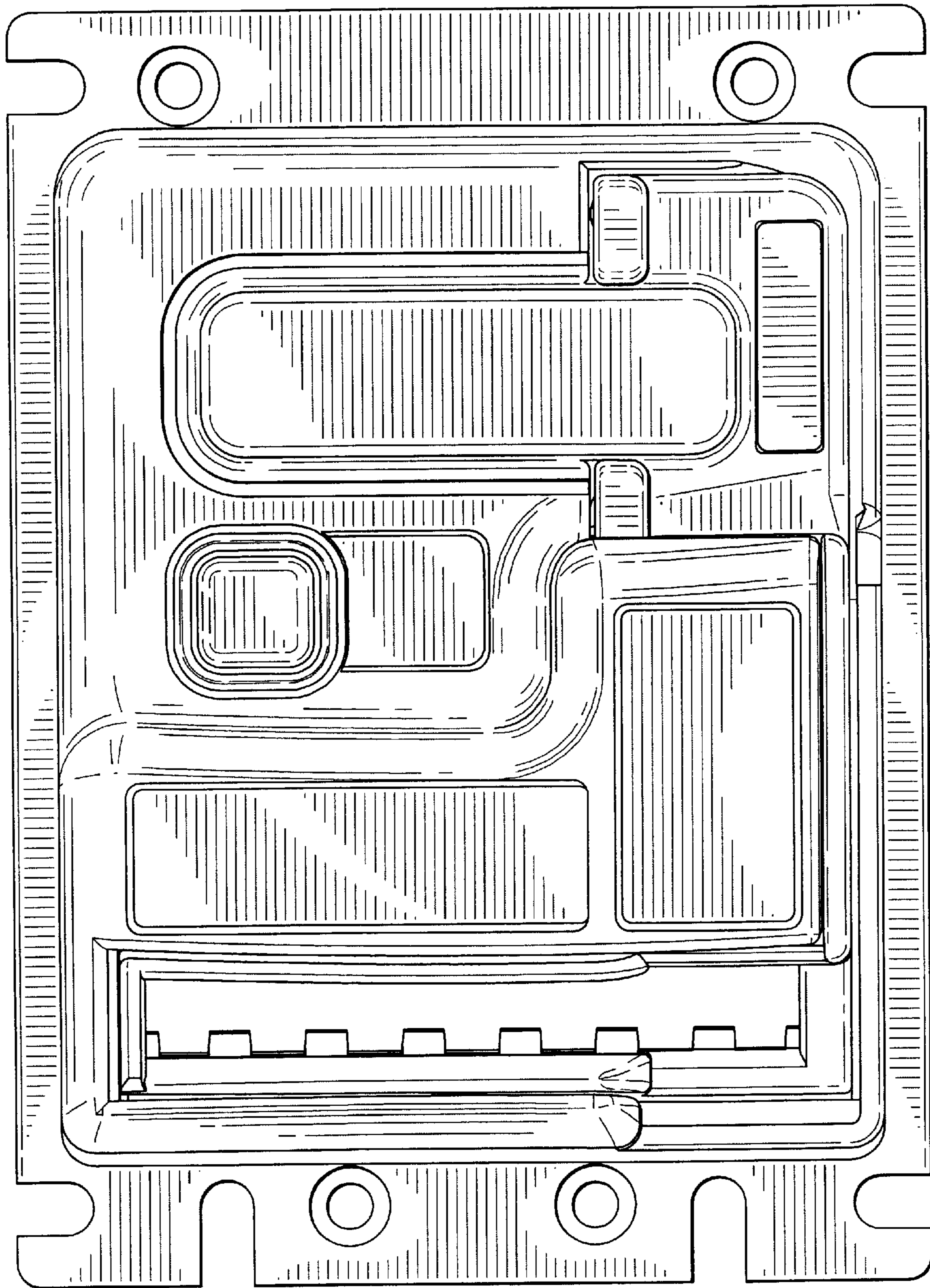


FIG. 8

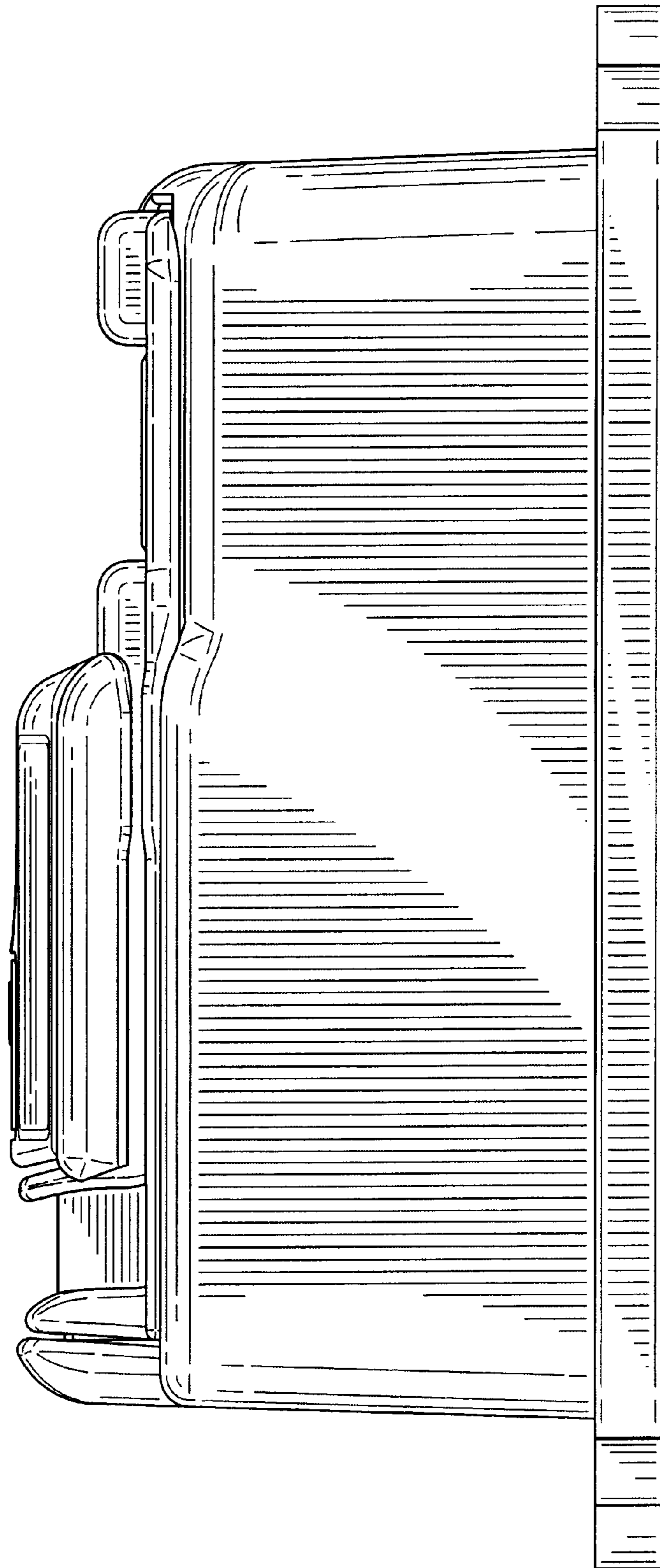


FIG. 9

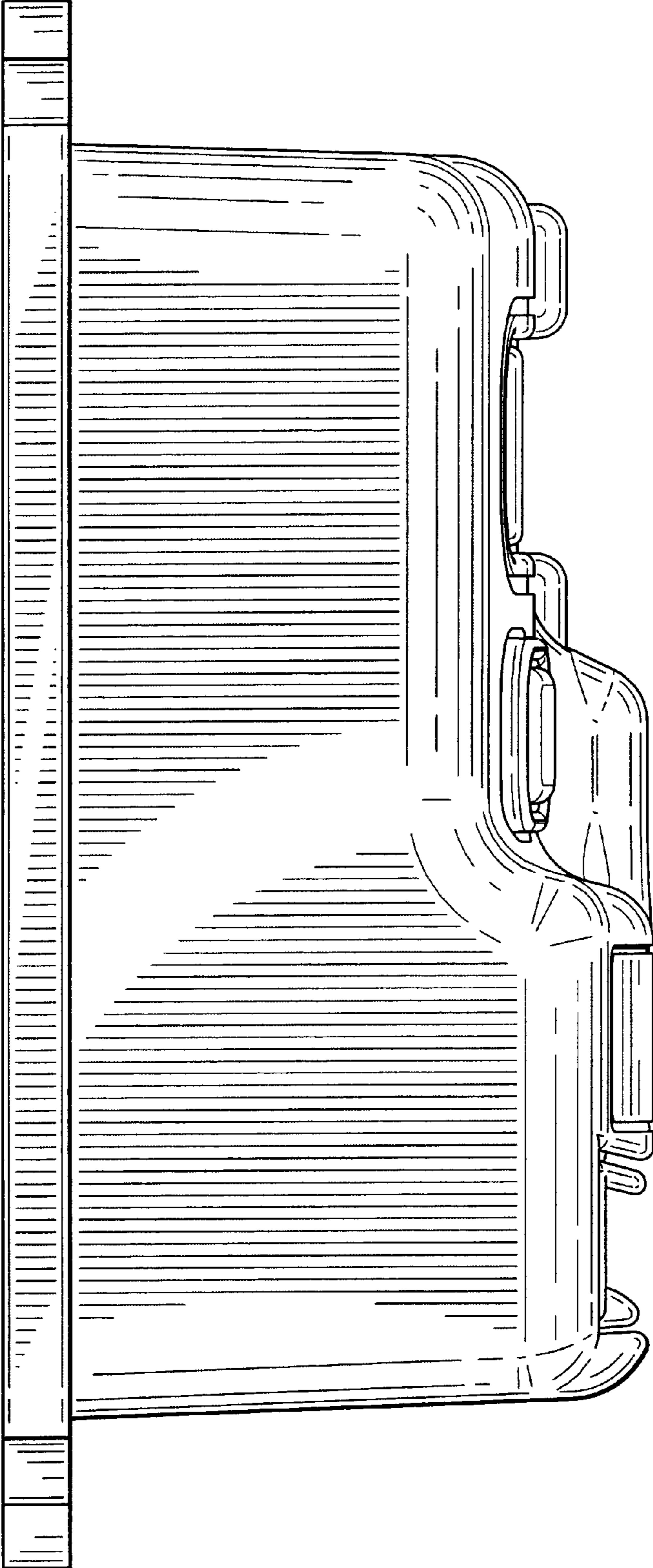


FIG. 10

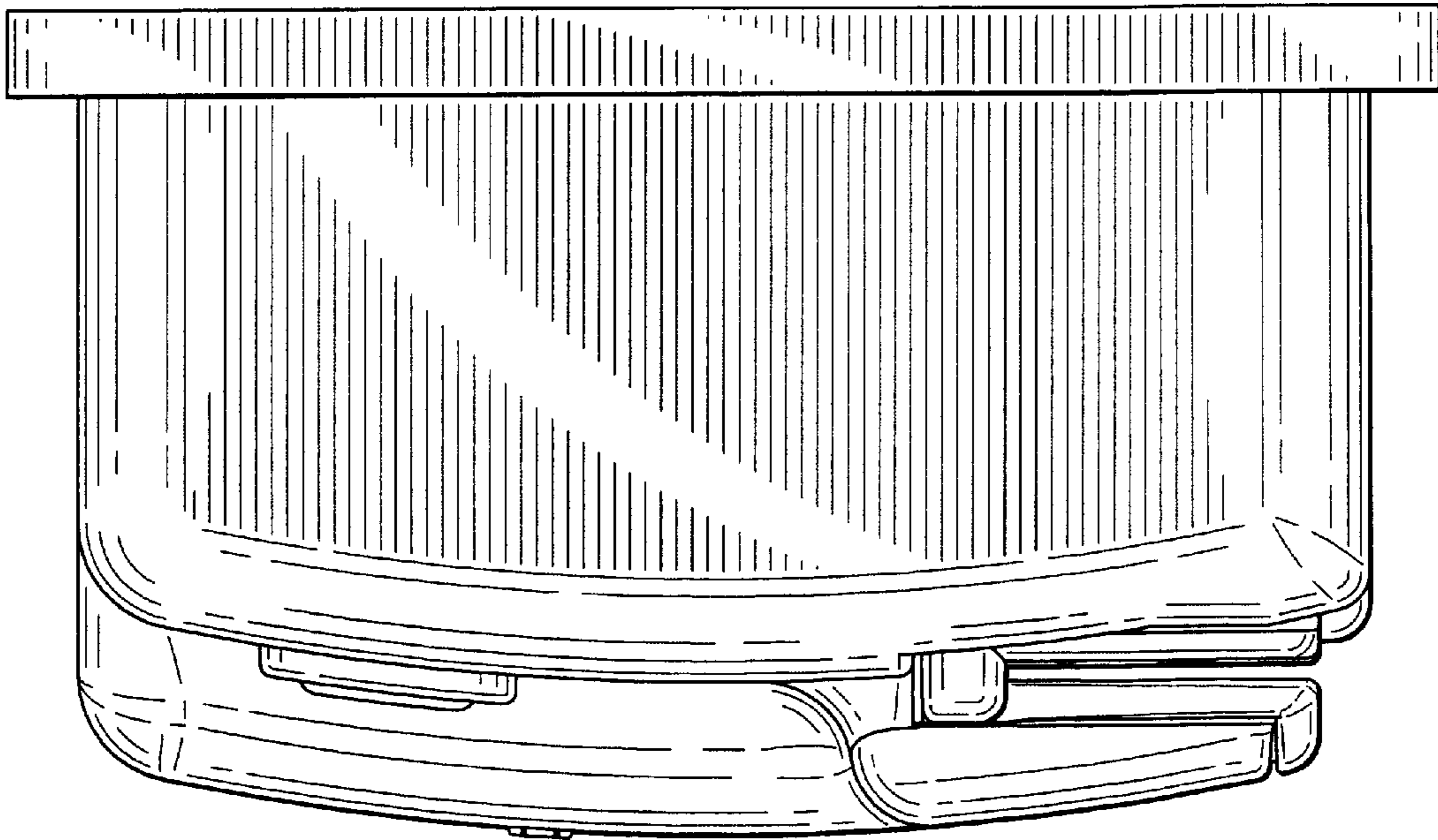


FIG. 11

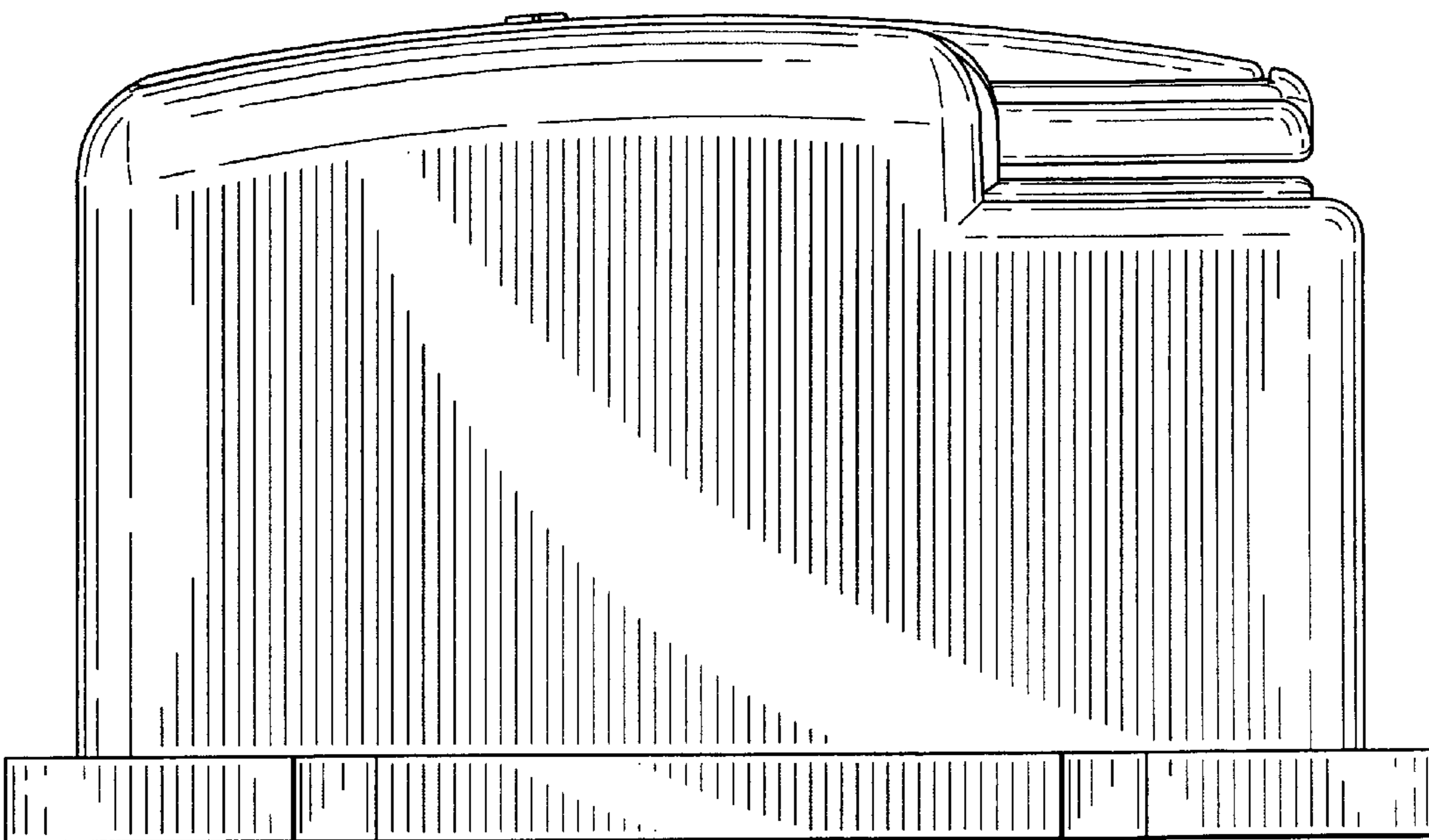


FIG. 12

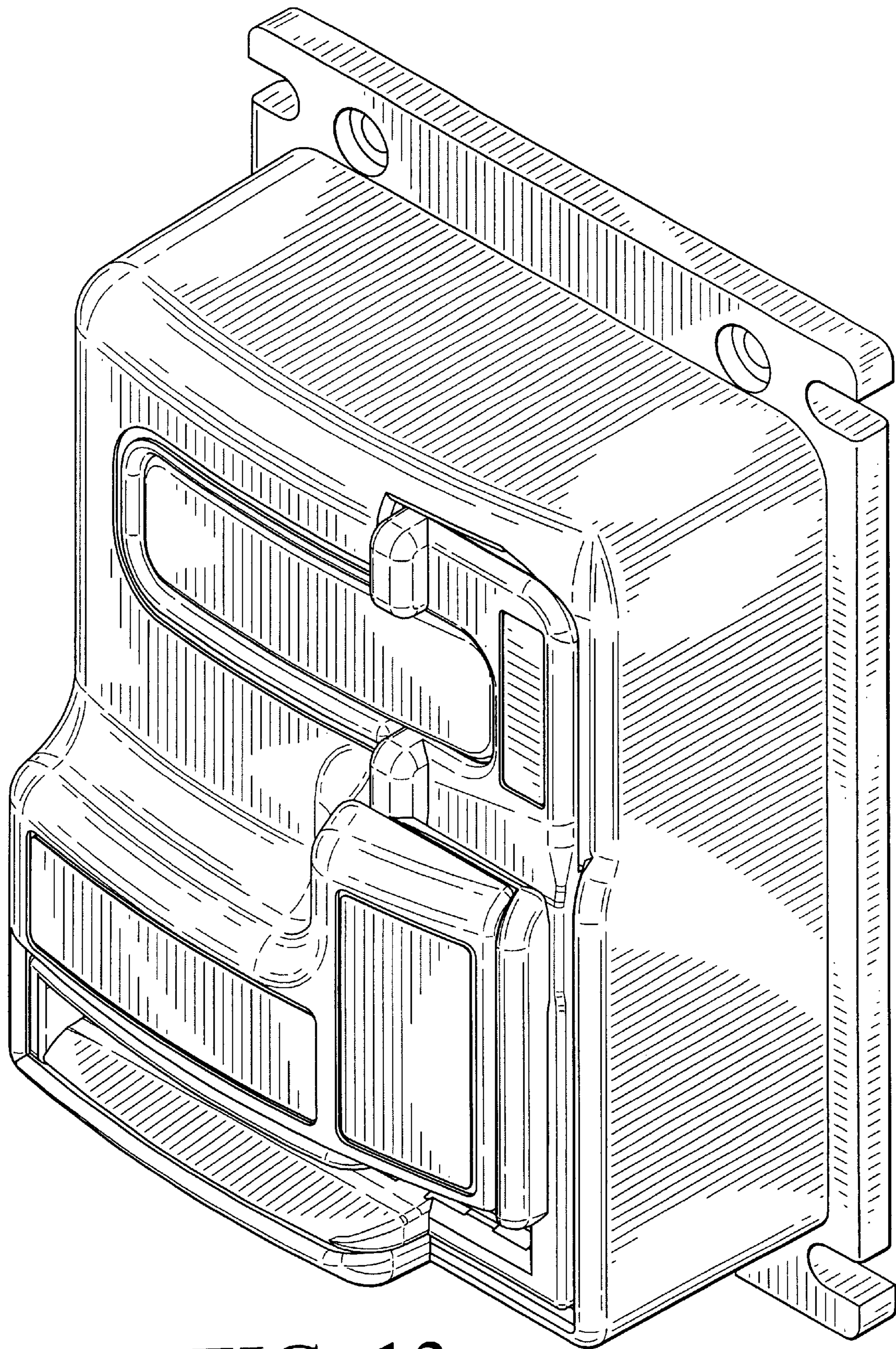


FIG. 13

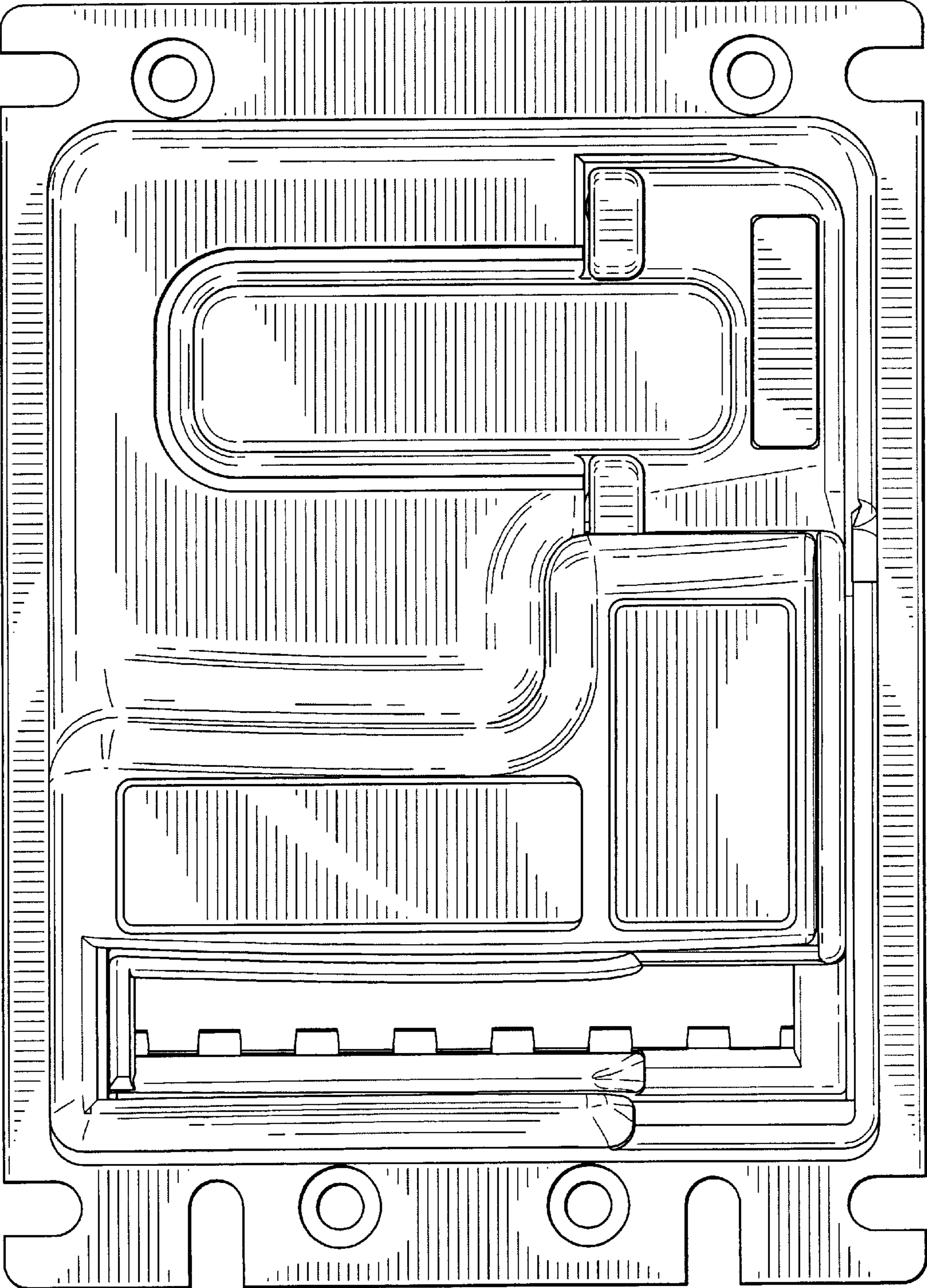


FIG. 14

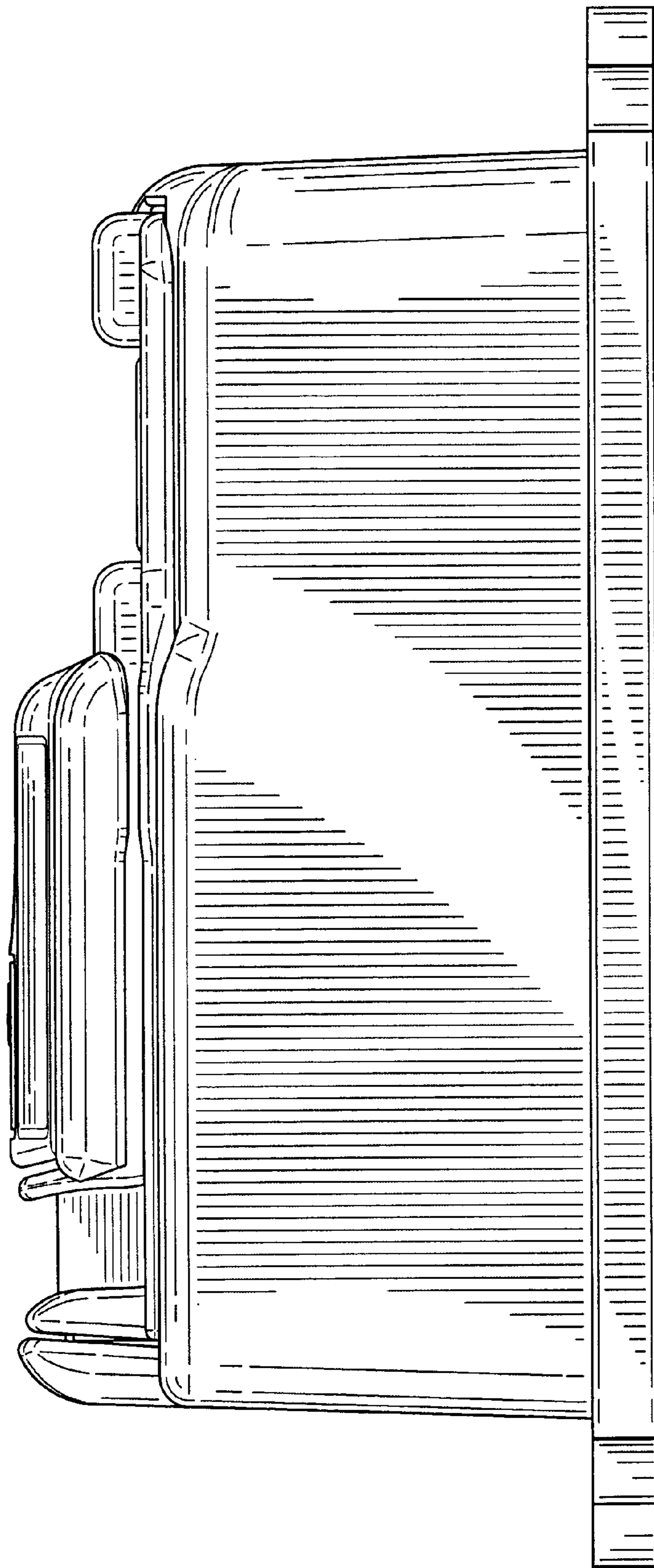


FIG. 15

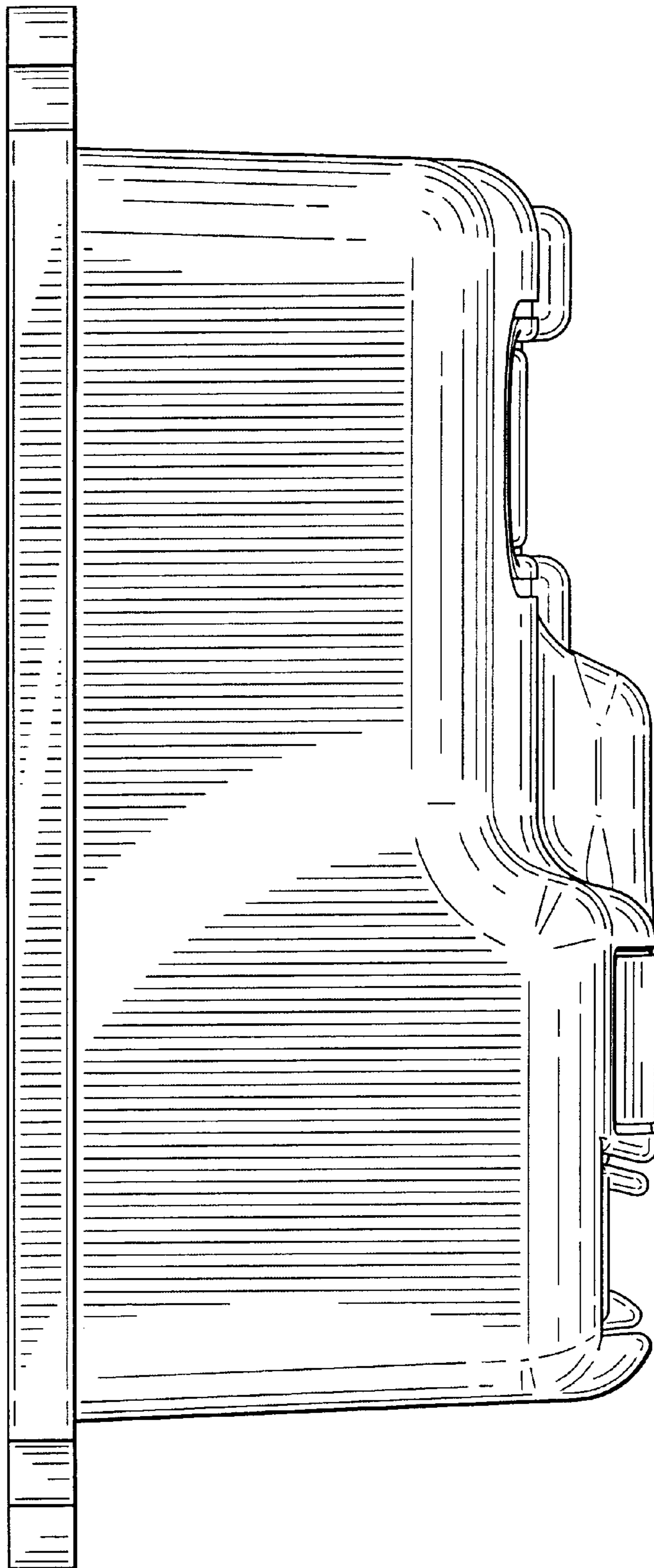


FIG. 16

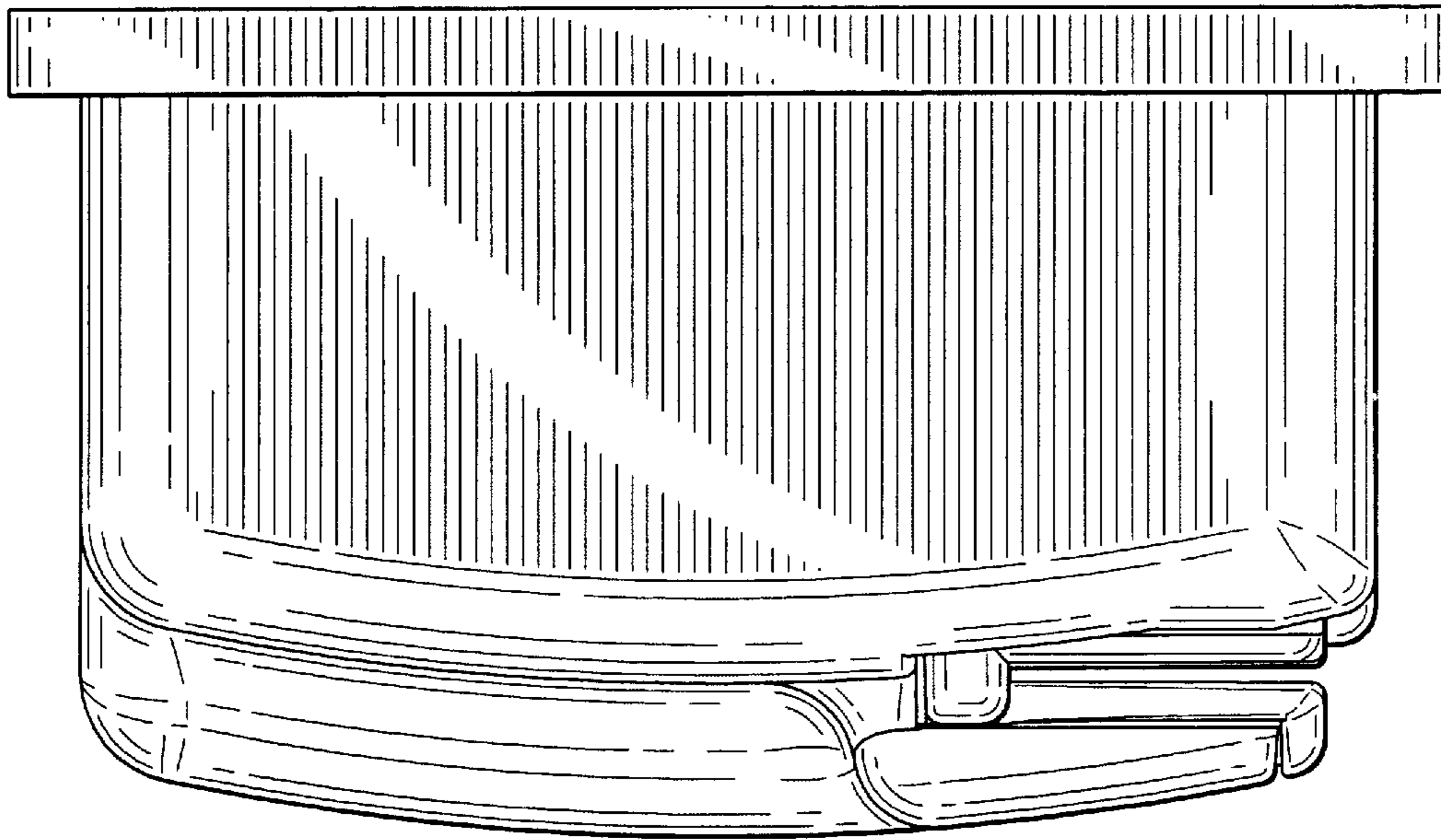


FIG. 17

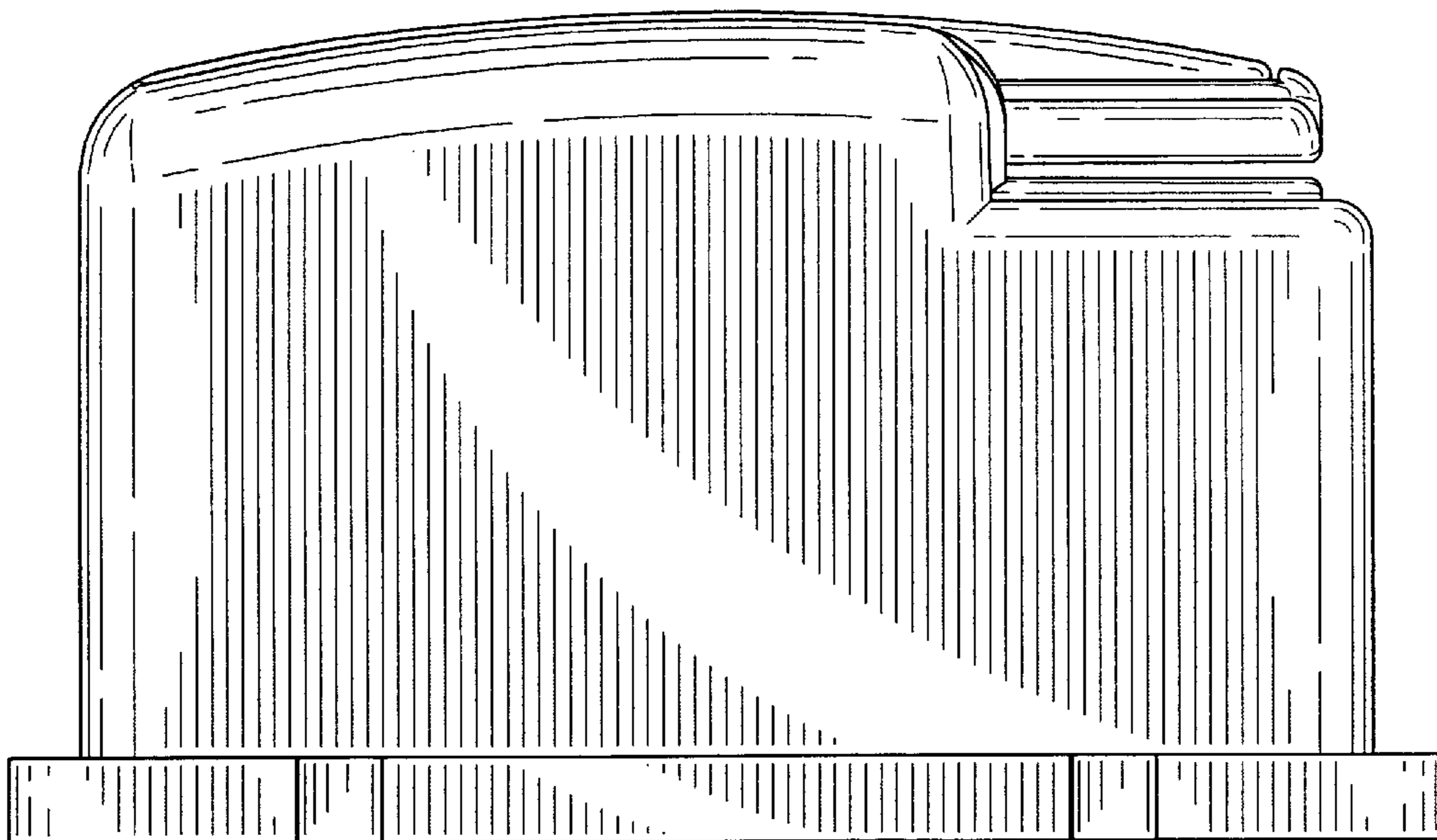


FIG. 18