

US00D498794S

(12) **United States Design Patent**
Bhavnani

(10) **Patent No.:** **US D498,794 S**

(45) **Date of Patent:** **** Nov. 23, 2004**

(54) **PEN AND PENCIL HOLDER**

(75) Inventor: **Dilip Bhavnani**, Beverly Hills, CA
(US)

(73) Assignee: **Sun Coast Merchandise Corp.**,
Commerce, CA (US)

(**) Term: **14 Years**

(21) Appl. No.: **29/203,161**

(22) Filed: **Apr. 9, 2004**

(51) **LOC (7) Cl.** **19-06**

(52) **U.S. Cl.** **D19/85; D19/77; D19/95**

(58) **Field of Search** **D10/2, 57; D19/35,**
D19/36, 65, 75, 77, 78, 81-85, 95, 99,
100; 206/214, 224, 371; 368/10; 211/69.1-69.9;
D5/53; D6/582; 428/179, 178

(56) **References Cited**

U.S. PATENT DOCUMENTS

- 331,469 A * 12/1885 Baker 428/179
- D112,183 S * 11/1938 Silvers D19/85 X
- D182,270 S * 3/1958 Brown D19/77 X
- 4,628,549 A * 12/1986 Lazar 428/178 X
- D334,948 S * 4/1993 Kirchner D19/85

- D387,093 S * 12/1997 Liang D19/85
- D449,075 S * 10/2001 Saturno et al. D19/77
- D478,761 S * 8/2003 Robbins, III D6/582
- D480,427 S * 10/2003 Chen D19/85

* cited by examiner

Primary Examiner—Martie K. Holtje

(74) *Attorney, Agent, or Firm*—Brian Carpenter

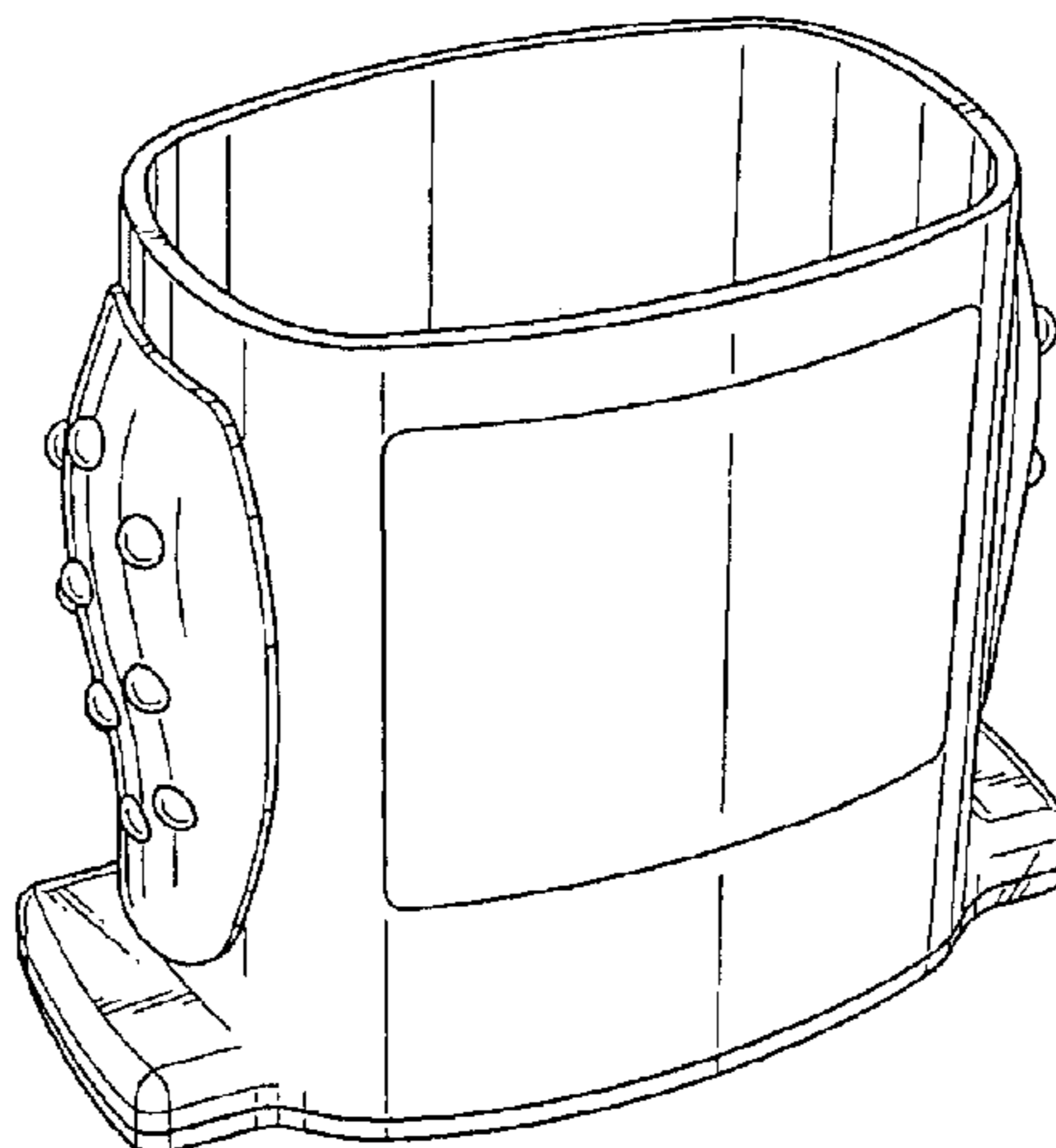
(57) **CLAIM**

The ornamental design for a pen and pencil holder, as shown and described.

DESCRIPTION

FIG. 1 is a perspective view of a pen and pencil holder; FIG. 2 is a left side elevational view of the pen and pencil holder of FIG. 1, the right side elevational view being a mirror image of the left side elevational view; FIG. 3 is a front side elevational view of the pen and pencil holder of FIG. 1, the rear side elevational view being a mirror image of the front side elevational view; FIG. 4 is a top plan view of the pen and pencil holder of FIG. 1; and, FIG. 5 is a bottom plan view of the pen and pencil holder of FIG. 1.

1 Claim, 2 Drawing Sheets



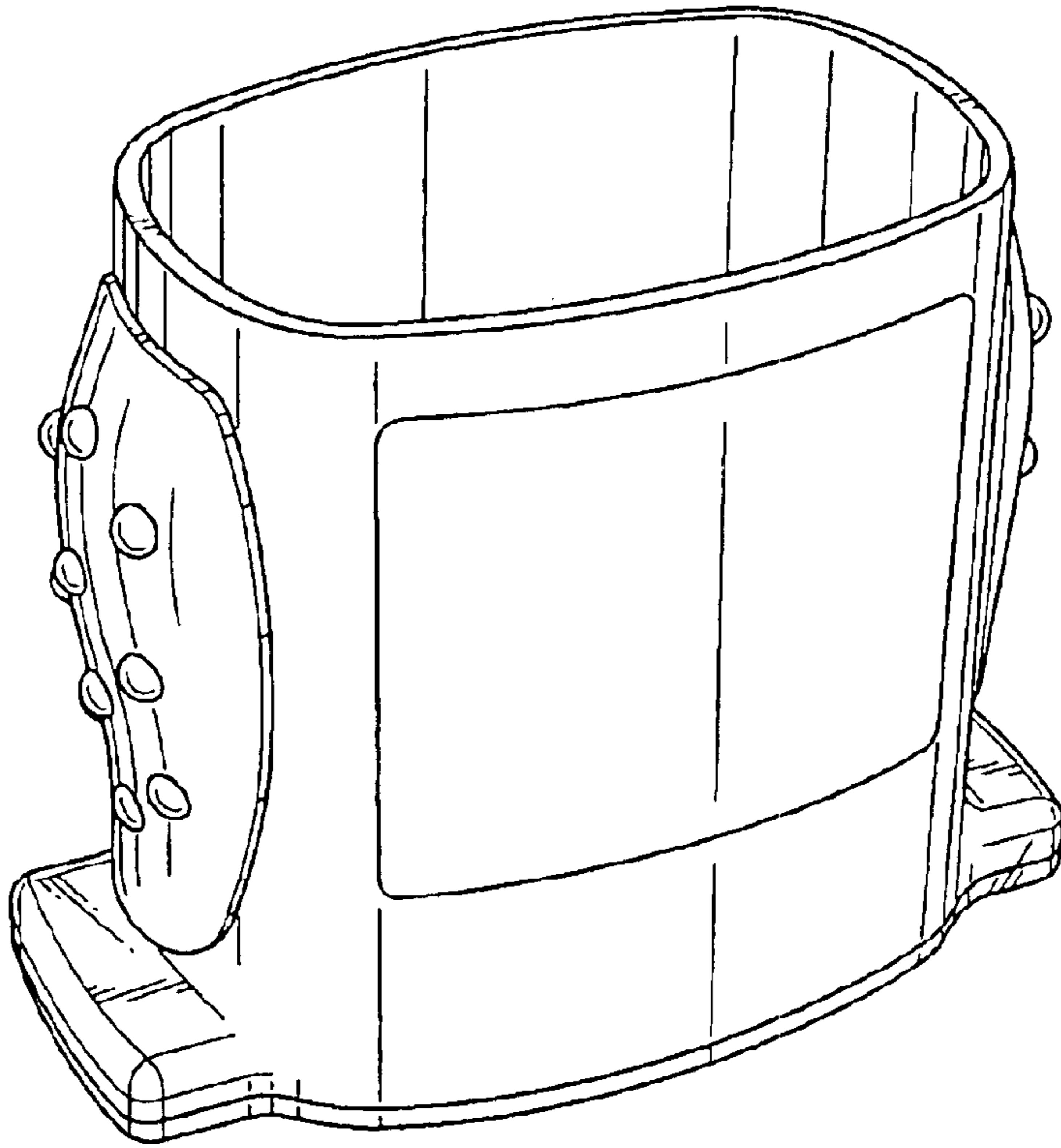


FIG. 1

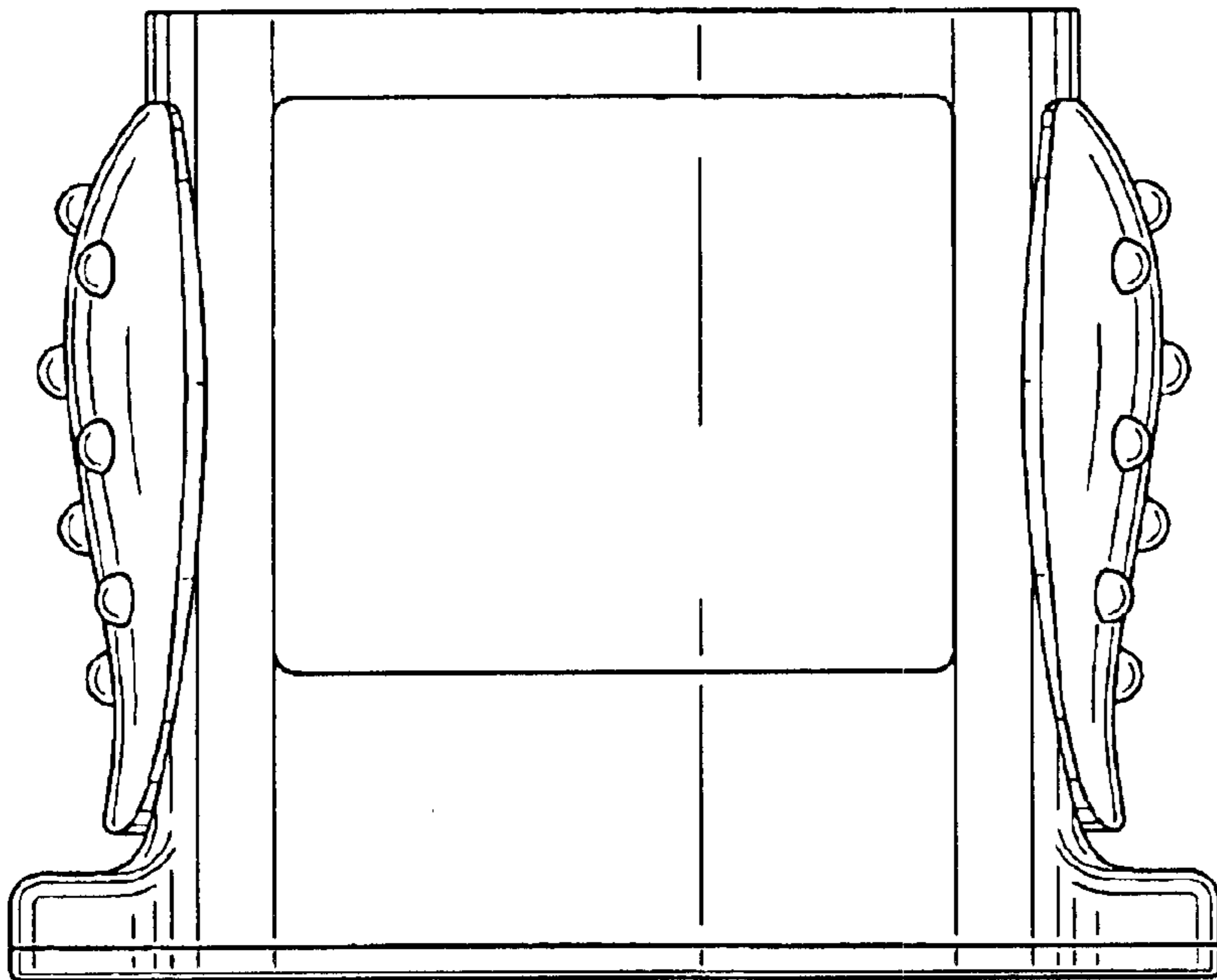


FIG. 2

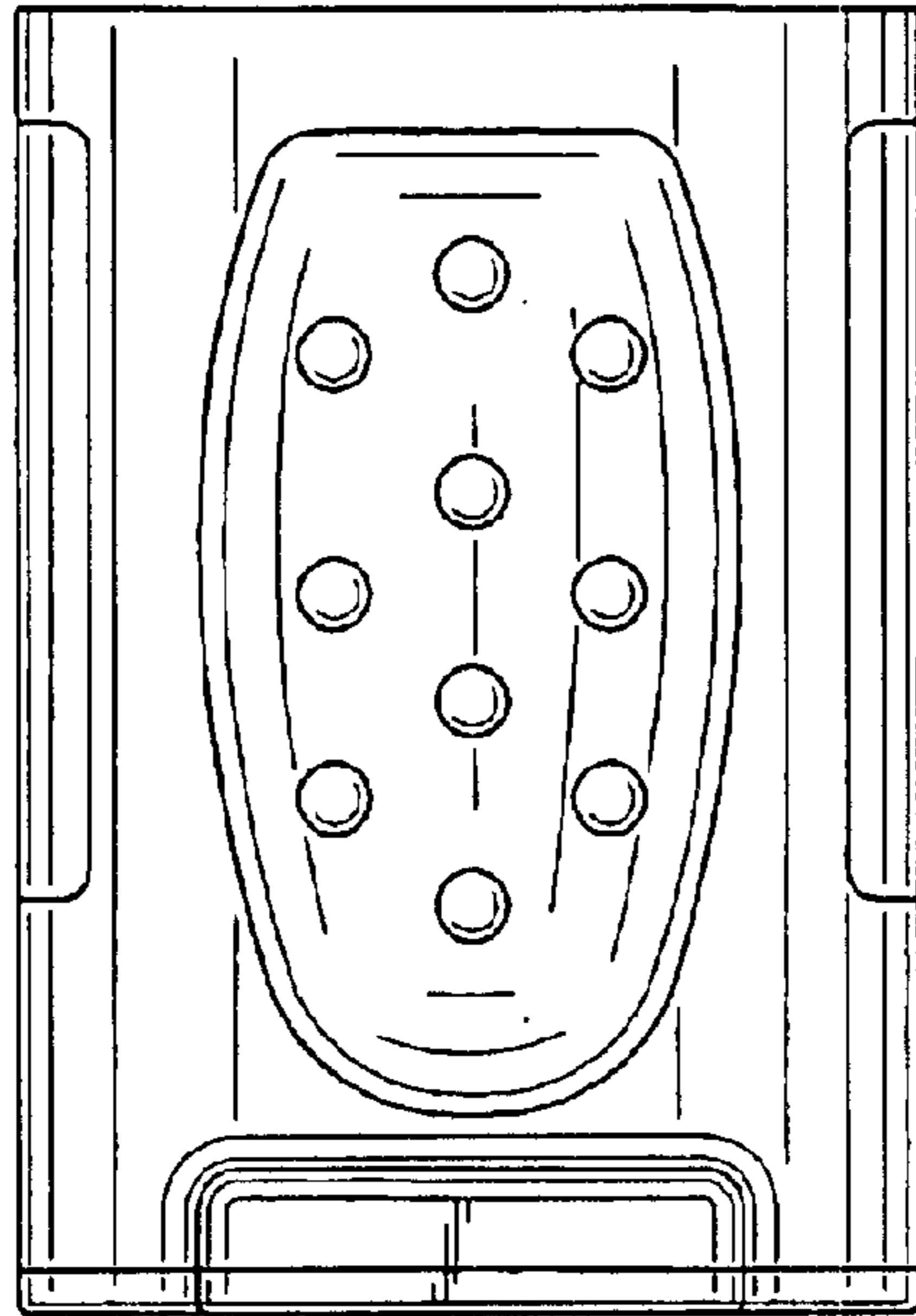


FIG. 3

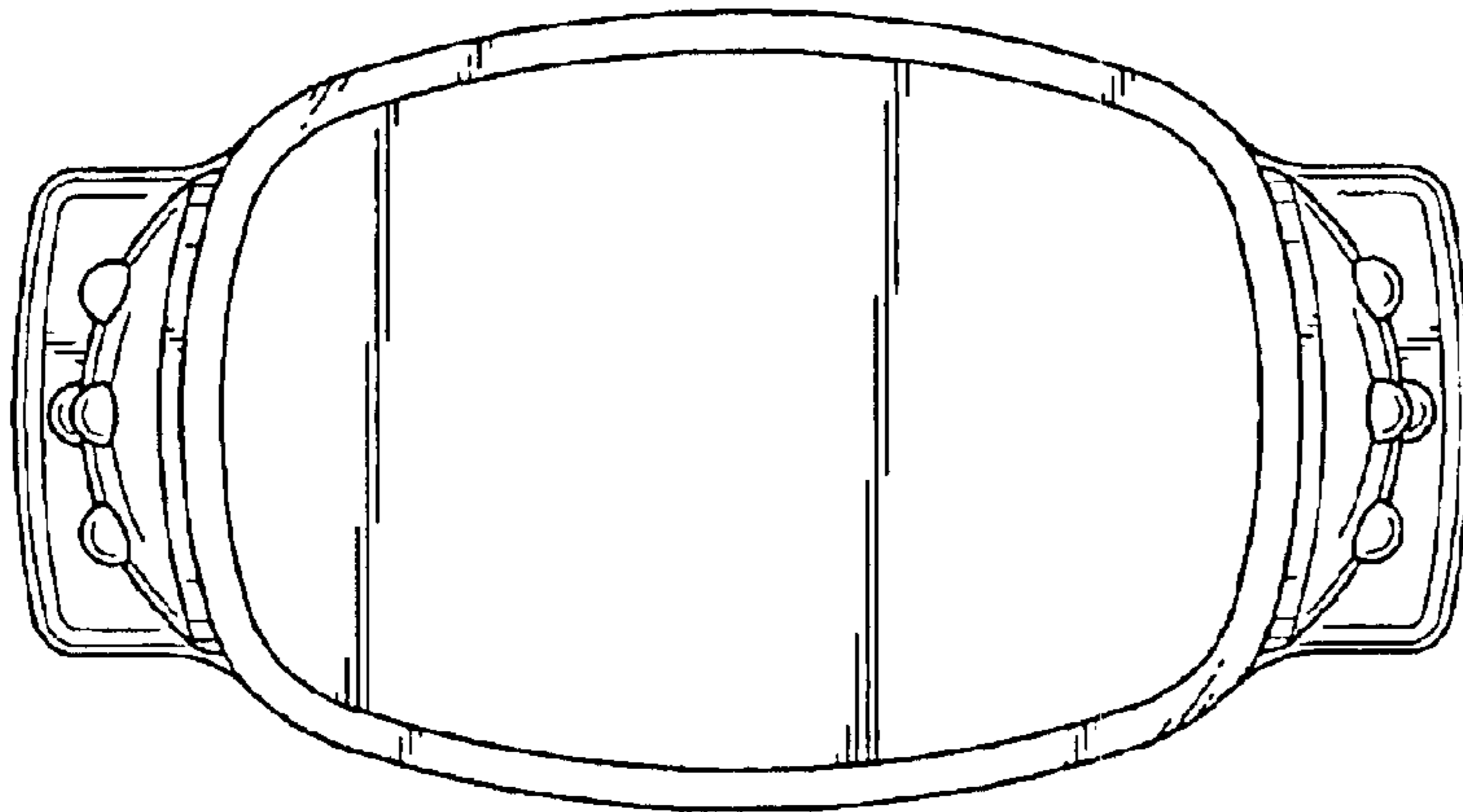


FIG. 4

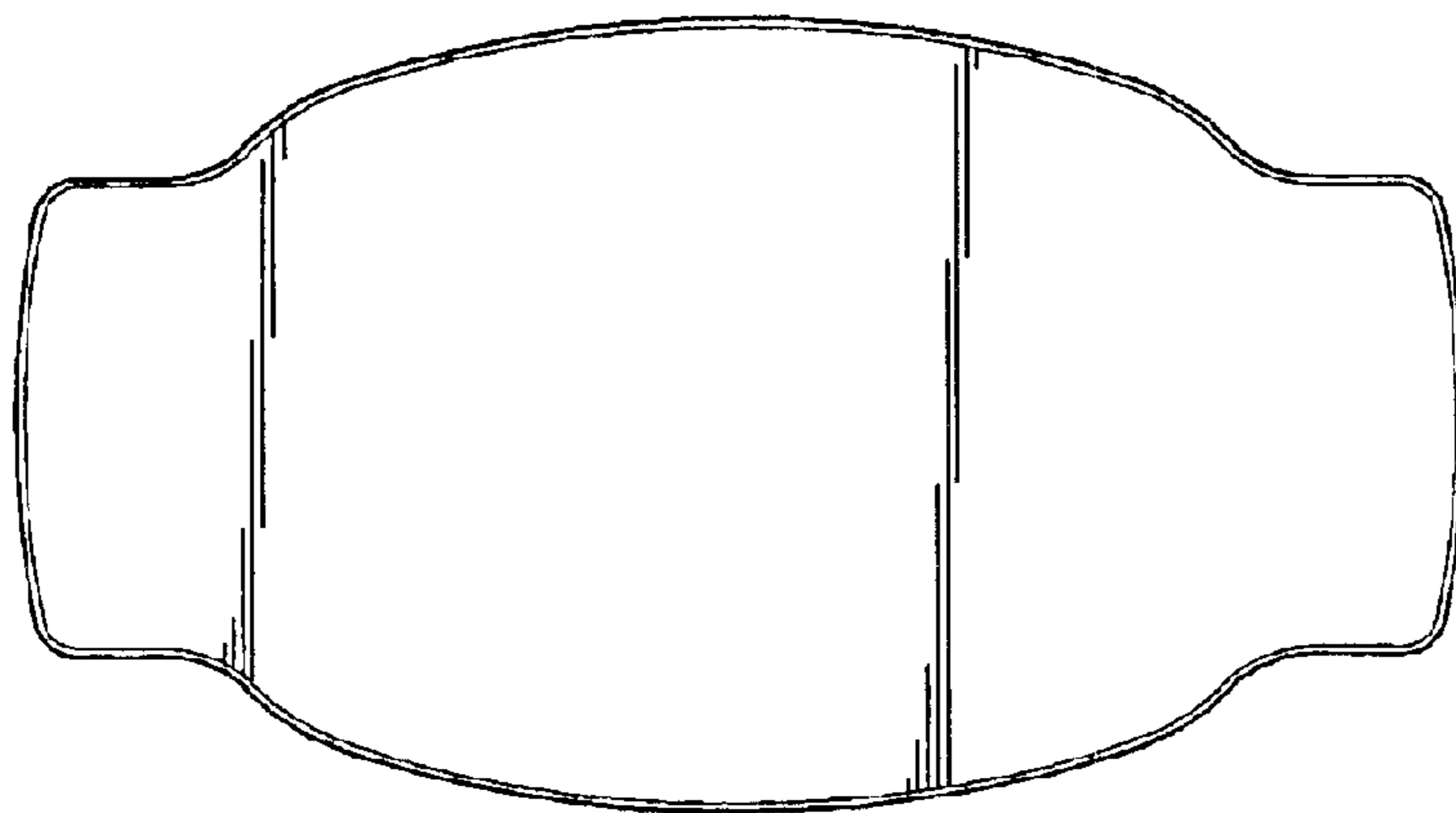


FIG. 5