

US00D498793S

(12) **United States Design Patent**
Stoddard et al.

(10) **Patent No.: US D498,793 S**

(45) **Date of Patent: ** Nov. 23, 2004**

(54) **WRITING INSTRUMENT CONTAINER**

(75) Inventors: **John Philip Stoddard**, Ben Lomond, CA (US); **Michael John Nuttall**, Portola Valley, CA (US); **Jennifer Ellen Davis-Wilson**, Redwood City, CA (US)

(73) Assignee: **Thomas Direct Sales, Inc.**, Clifton, NJ (US)

(**) Term: **14 Years**

(21) Appl. No.: **29/200,478**

(22) Filed: **Feb. 26, 2004**

(51) **LOC (7) Cl.** **19-06**

(52) **U.S. Cl.** **D19/85; D19/77; D19/95**

(58) **Field of Search** D19/35, 36, 65, D19/75, 77, 81-85, 95, 99, 100; 206/214, 224, 371; 211/69, 69.1-69.9, 70; 312/31

(56) **References Cited**

U.S. PATENT DOCUMENTS

D187,897 S * 5/1960 Kibb D19/85
3,428,380 A * 2/1969 Danjczek 206/371
D259,141 S * 5/1981 Oliver D19/85 X

D279,385 S * 6/1985 Lieberman D19/77
4,785,947 A * 11/1988 Avery 211/69.5
D325,934 S * 5/1992 Ramjak D19/85
D356,338 S * 3/1995 Magnusson D19/77

* cited by examiner

Primary Examiner—Martie K. Holtje

(74) *Attorney, Agent, or Firm*—Carr & Ferrell LLP

(57) **CLAIM**

The ornamental design for a writing instrument container, as shown and described.

DESCRIPTION

FIG. 1 is a perspective view of the writing instrument container showing top, front, and right sides of our new design;

FIG. 2 is a top view of the writing instrument container of FIG. 1;

FIG. 3 is a front view of the writing instrument container of FIG. 1, the rear, right, and left sides being mirror images of the front view; and,

FIG. 4 is a bottom view of the writing instrument container of FIG. 1.

1 Claim, 1 Drawing Sheet

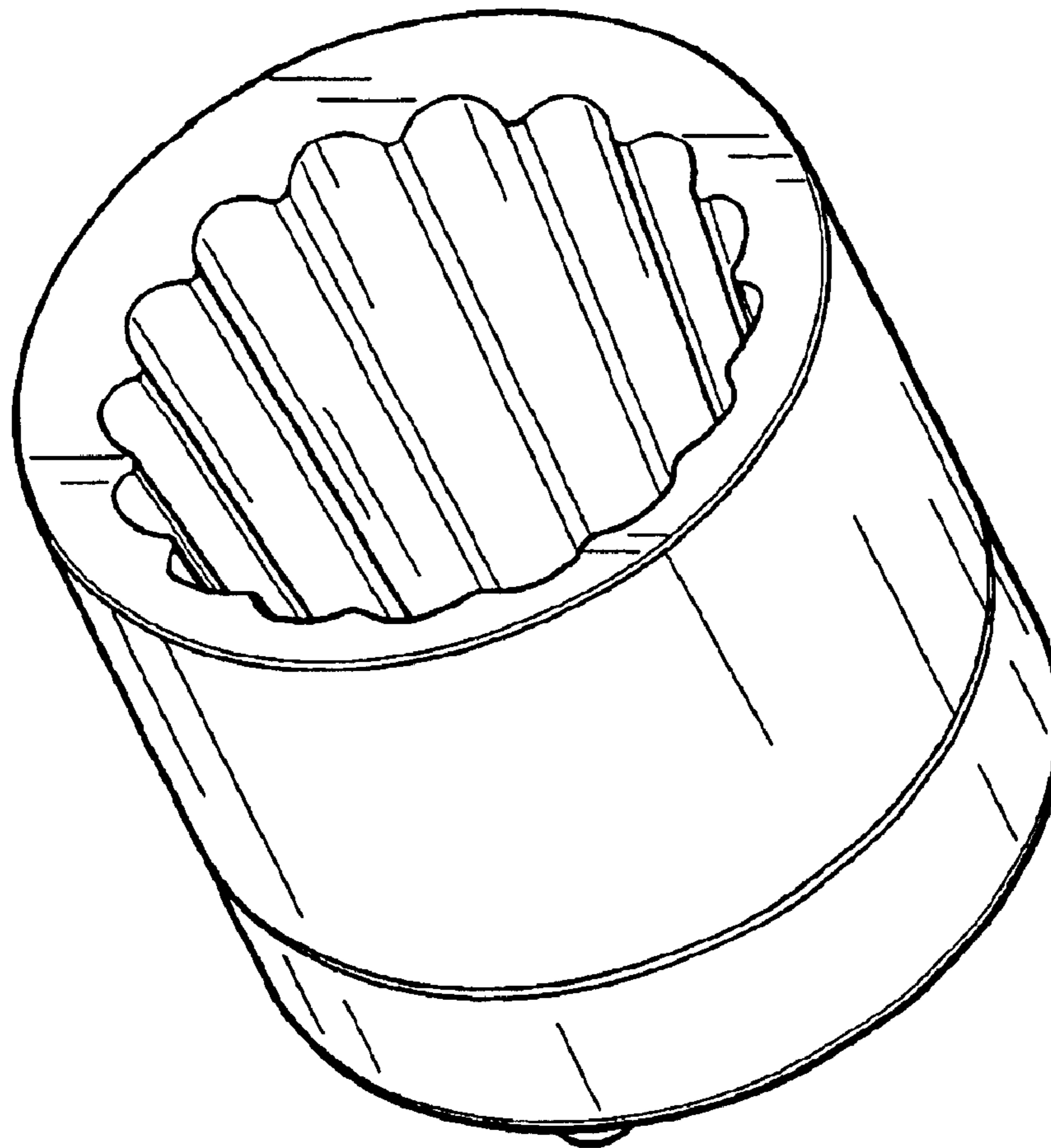


FIG. 1

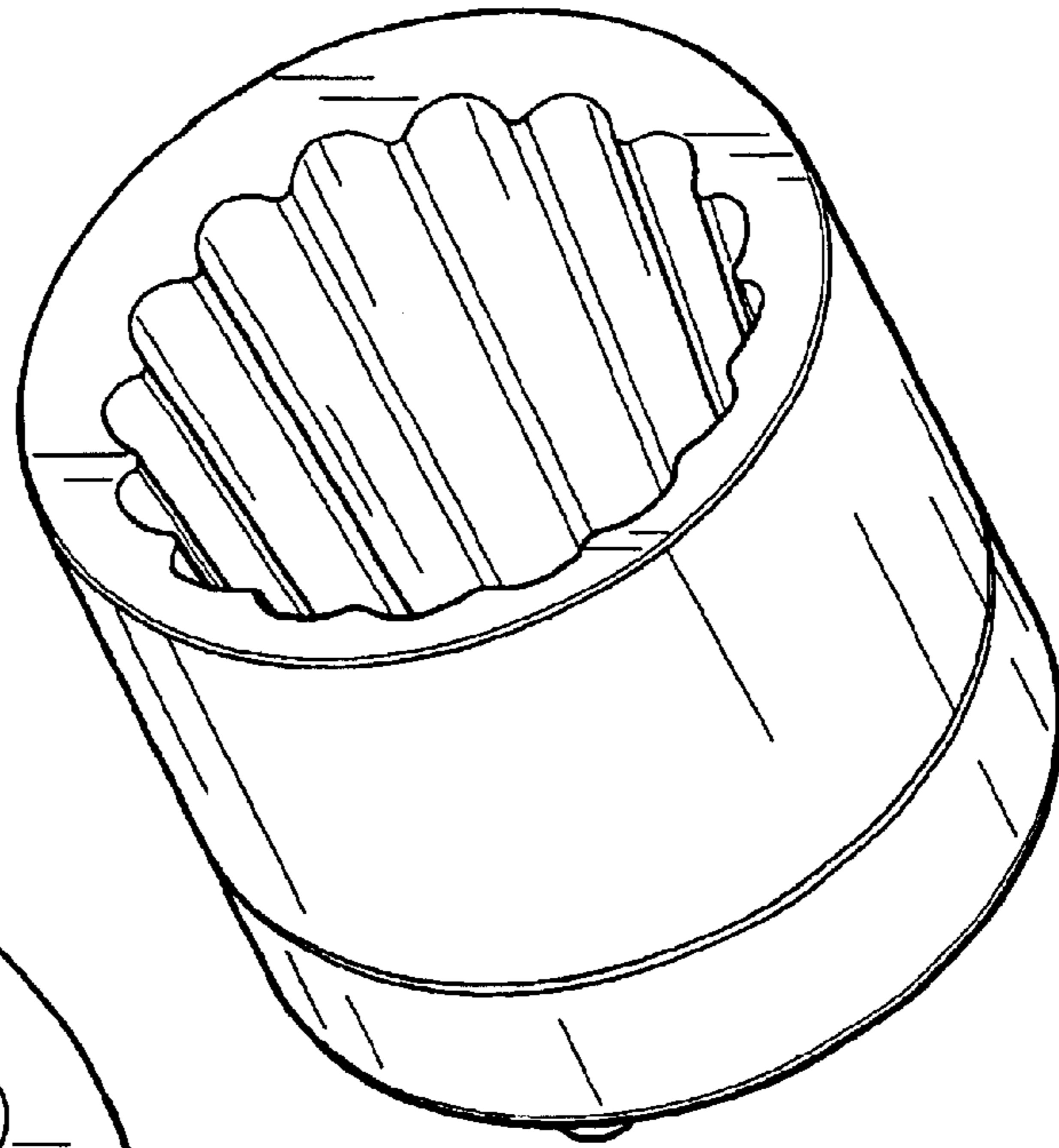


FIG. 2

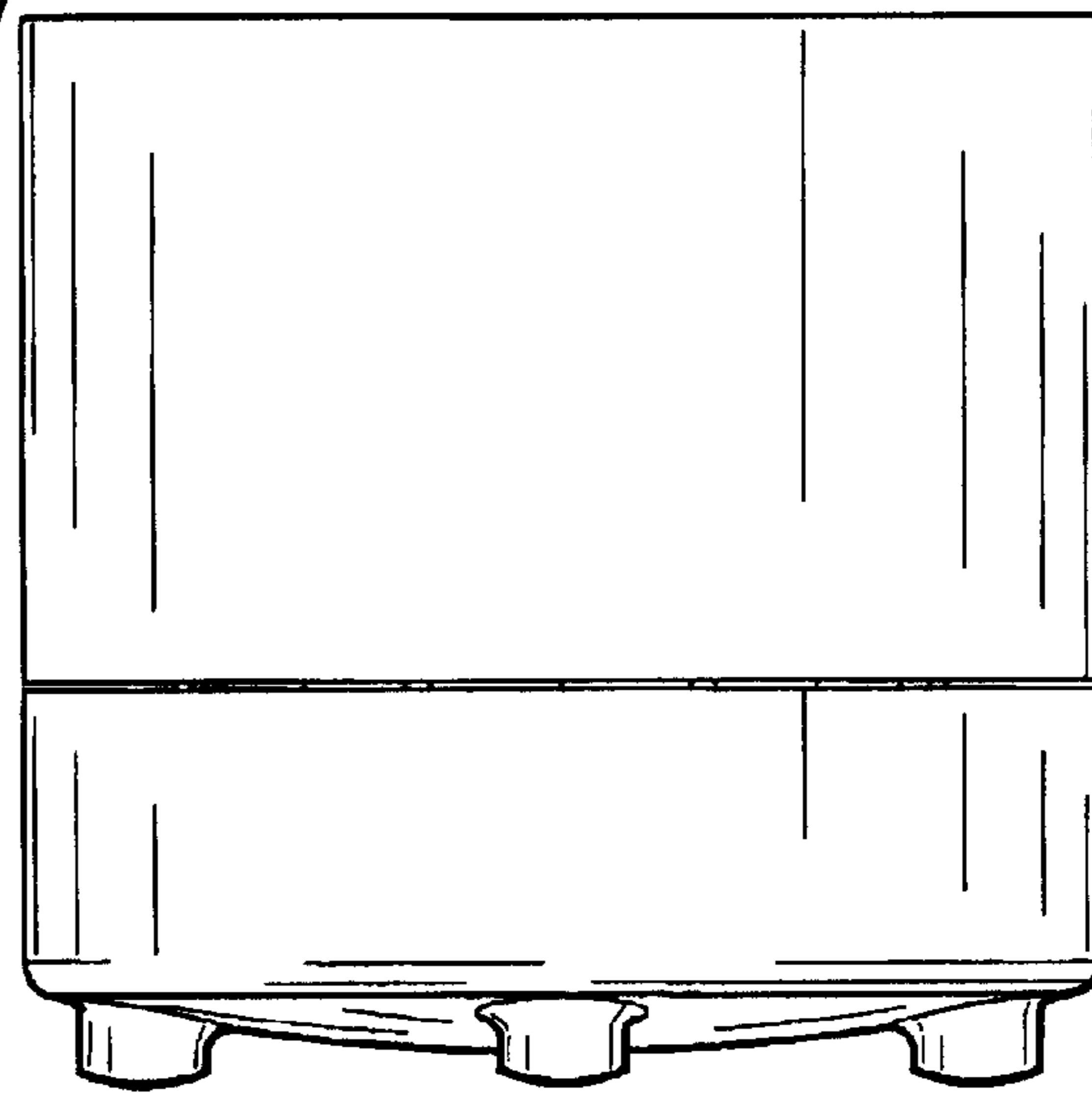
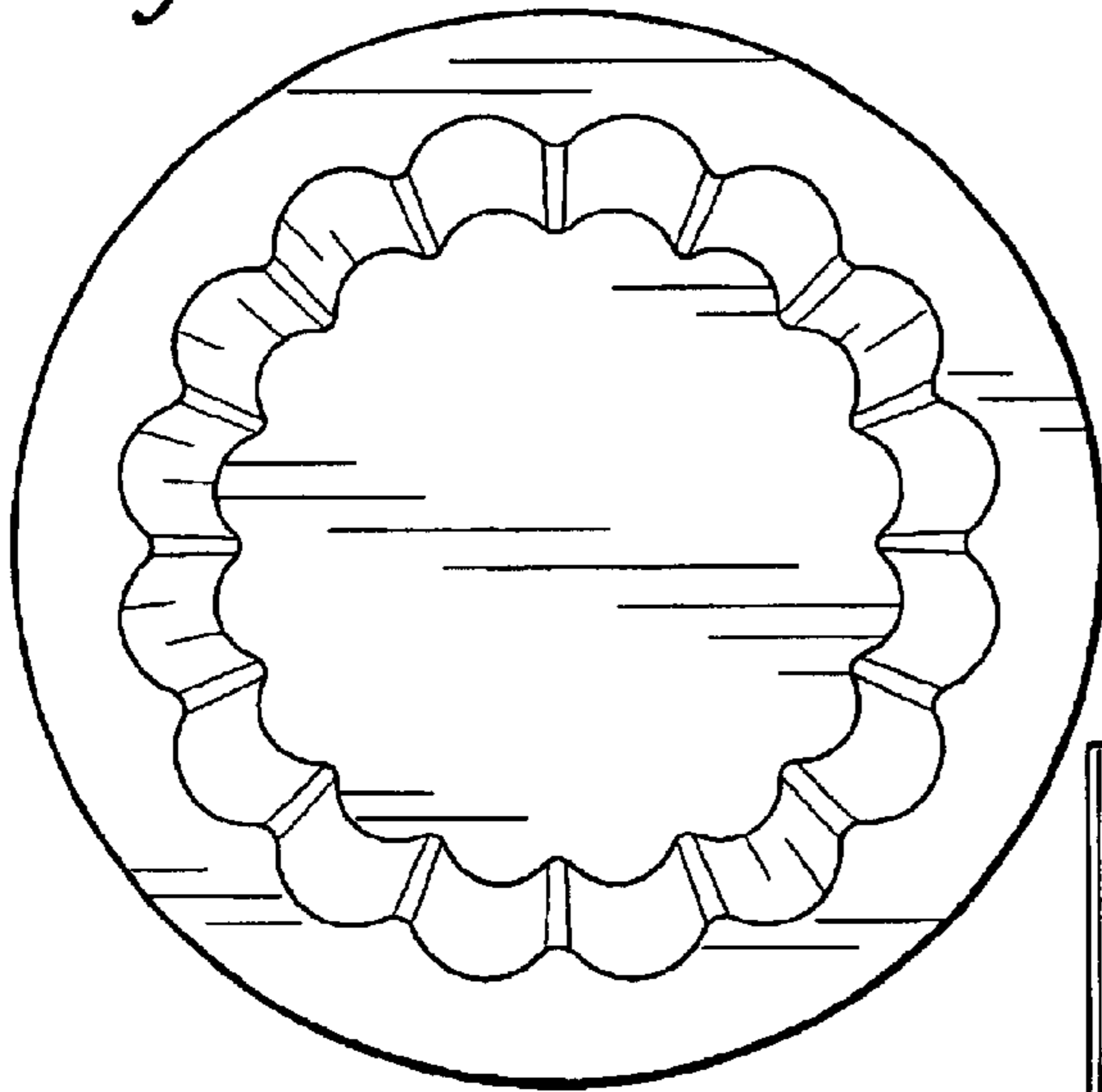


FIG. 3

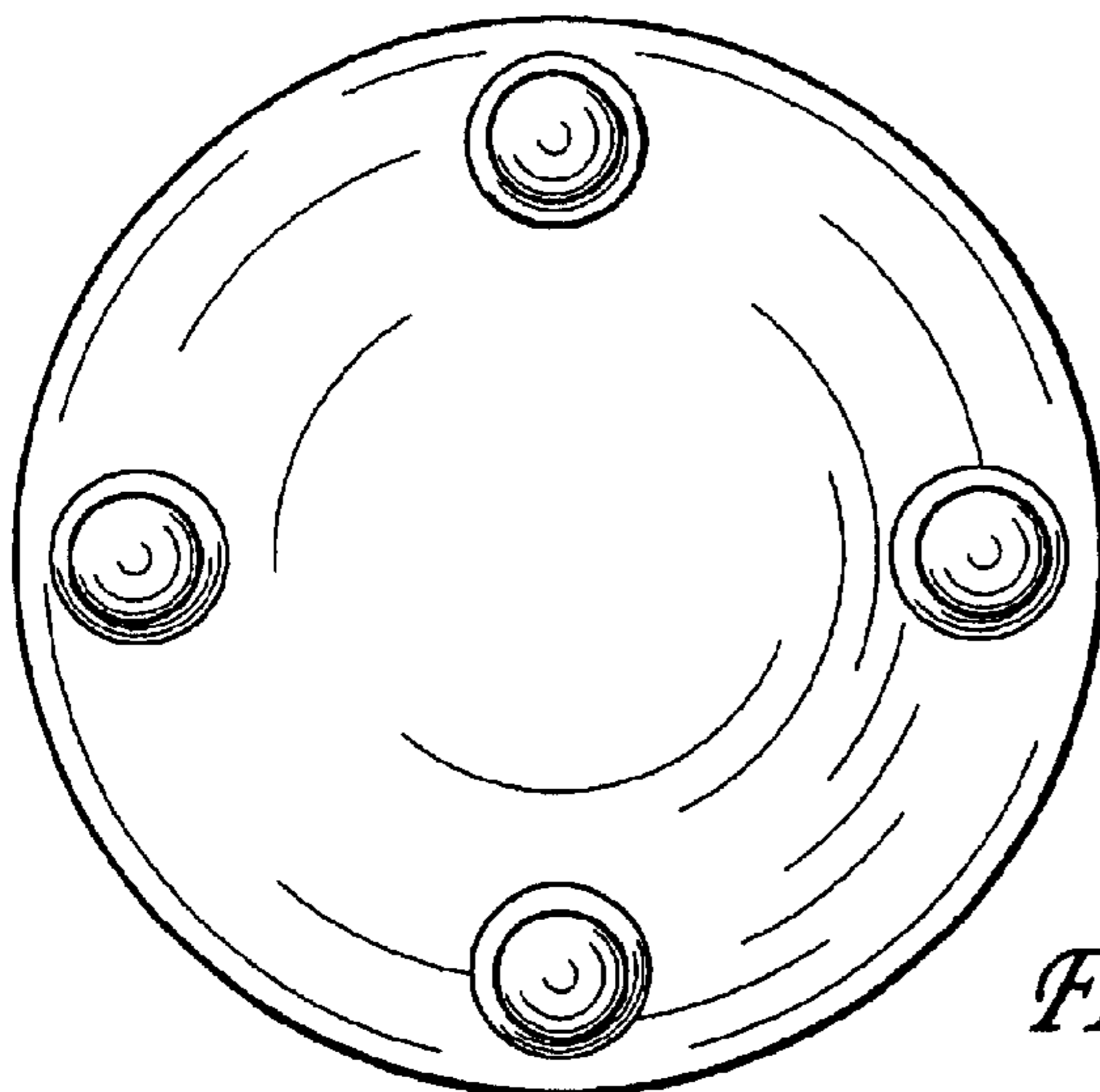


FIG. 4