



US00D498789S

(12) **United States Design Patent**
Lawson

(10) **Patent No.:** **US D498,789 S**
(45) **Date of Patent:** **** Nov. 23, 2004**

(54) **DESK CALENDAR**

(76) **Inventor:** **Larry D. Lawson**, 1701 N. Delaware,
Indianapolis, IN (US) 46202

(**) **Term:** **14 Years**

(21) **Appl. No.:** **29/188,207**

(22) **Filed:** **Aug. 15, 2003**

(51) **LOC (7) Cl.** **19-03**

(52) **U.S. Cl.** **D19/25**

(58) **Field of Search** D20/43; D19/20,
D19/21, 22, 23, 24, 25; 40/107, 109, 110,
111, 118, 119, 120, 121, 122; 283/2, 3,
4; 434/304

(56) **References Cited**

U.S. PATENT DOCUMENTS

254,015	A	*	2/1882	Hovenden	40/112
822,690	A	*	6/1906	Parker	40/119
868,878	A	*	10/1907	Marshman	40/119
959,479	A		5/1910	Doolittle	
1,236,974	A		8/1917	Orth	
1,406,120	A	*	2/1922	Waters	40/118
1,469,062	A		9/1923	Welcker	
1,501,803	A		7/1924	Orth	
1,632,393	A	*	6/1927	Esau	40/112
1,801,714	A	*	4/1931	Bevilacqua	40/114
D101,143	S		9/1936	Shank	
2,343,969	A	*	3/1944	Forbes	40/111
D149,335	S	*	4/1948	Beatty	D19/23
D163,586	S	*	6/1951	Dingeldein	D19/21

2,561,790	A	*	7/1951	Elms	40/112
2,698,493	A		1/1955	Nichols	
D223,415	S		4/1972	Finkel	
3,670,436	A		6/1972	Weissman	
3,683,532	A	*	8/1972	Ankrum	40/358
4,058,911	A		11/1977	Story	
4,136,473	A		1/1979	Coe	
4,137,659	A		2/1979	Eddy	
D268,273	S	*	3/1983	George	D20/44
D274,535	S		7/1984	Hicks	
4,791,739	A	*	12/1988	Hetzer	40/5

* cited by examiner

Primary Examiner—Joel Sincavage
Assistant Examiner—Elizabeth Albert
(74) *Attorney, Agent, or Firm*—Terry M Gernstein

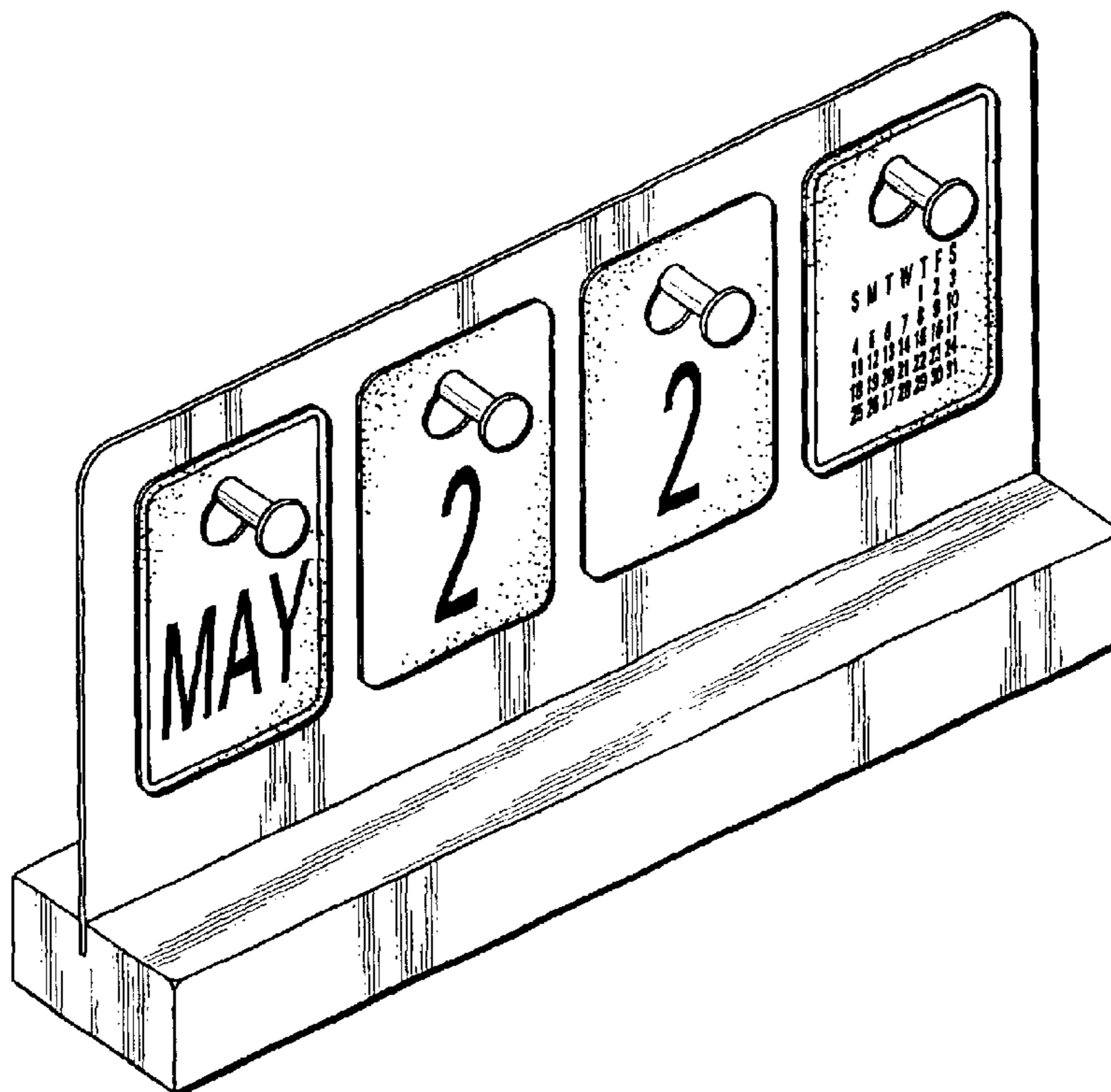
(57) **CLAIM**

I claim the ornamental design for a desk calendar, as shown and described.

DESCRIPTION

FIG. 1 is a front, top and side perspective view of the desk calendar embodying the design of the present invention. FIG. 2 is a front elevational view thereof. FIG. 3 is a top plan view thereof. FIG. 4 is a side elevational view thereof, the side opposite to the side shown in FIG. 4 being a mirror image of the side shown in FIG. 4. FIG. 5 is a rear elevational view thereof; and, FIG. 6 is a bottom plan view thereof.

1 Claim, 2 Drawing Sheets



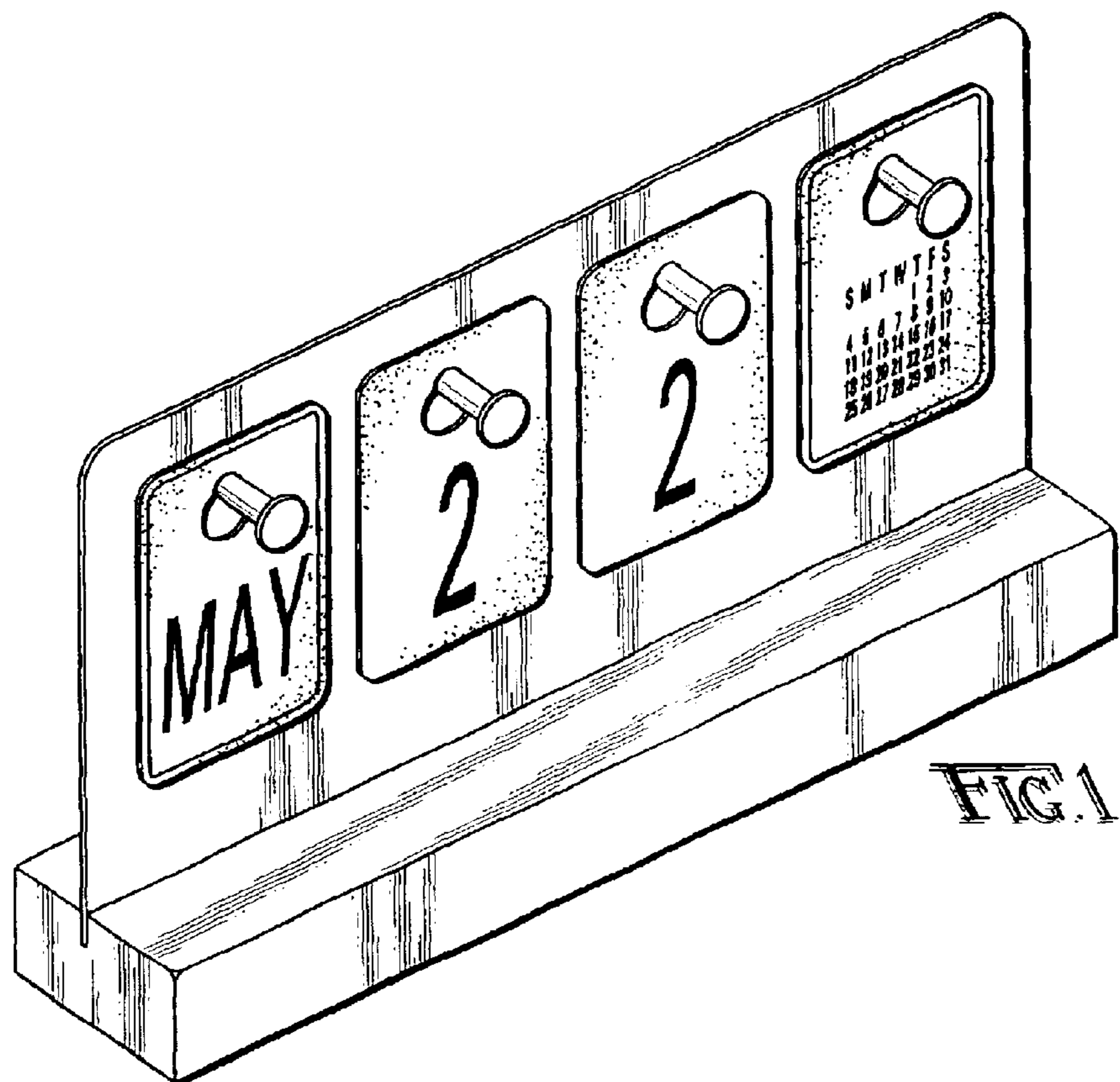


FIG. 1

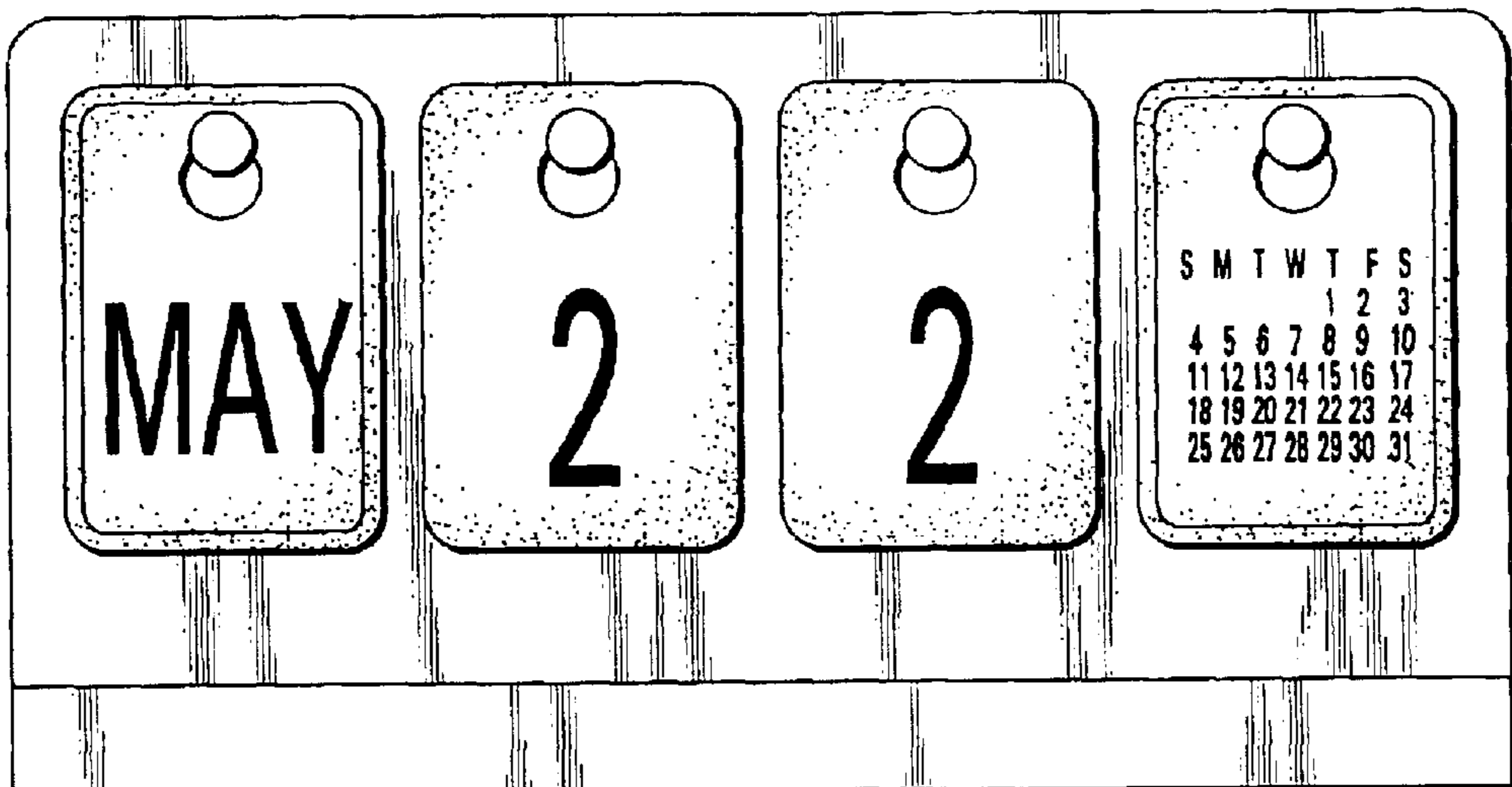


FIG. 2

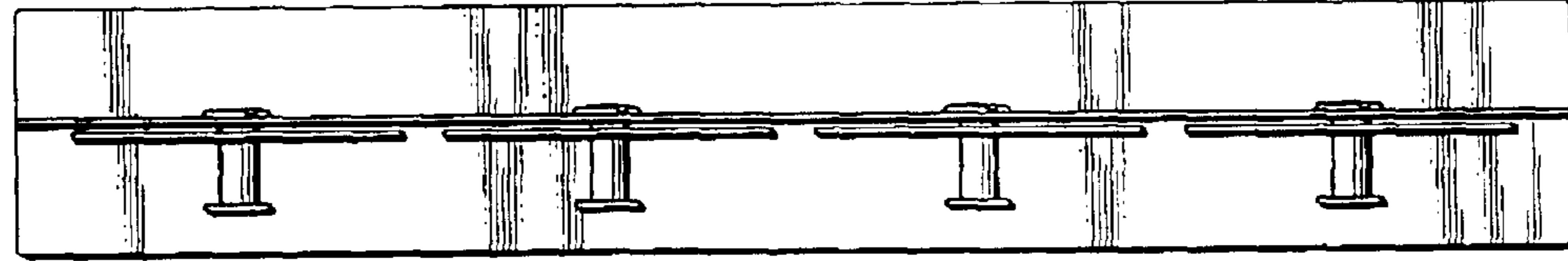


FIG. 3

