

US00D498787S

(12) **United States Design Patent** (10) **Patent No.:** **US D498,787 S**  
**Nelms et al.** (45) **Date of Patent:** **\*\* Nov. 23, 2004**

(54) **CREDIT CARD WITH CASE**  
(75) Inventors: **David W. Nelms**, Lake Forest, IL (US);  
**Betty M. Schick**, Lake Villa, IL (US);  
**Kimberly S. Wilson**, Highland Park, IL (US)

(73) Assignee: **Discover Financial Services, Inc.**,  
Riverwoods, IL (US)

(\*\*) Term: **14 Years**

(21) Appl. No.: **29/193,976**

(22) Filed: **Nov. 17, 2003**

**Related U.S. Application Data**

(62) Division of application No. 29/163,840, filed on Jul. 9, 2002,  
now Pat. No. Des. 487,480.

(51) **LOC (7) Cl.** ..... **19-08**

(52) **U.S. Cl.** ..... **D19/9**

(58) **Field of Search** ..... D3/207, 208, 212,  
D3/247, 249; D14/435, 436, 437, 438;  
D19/9, 10, 11, 12; D20/40; 40/625; 150/131,  
134, 147, 148; 206/38, 38.1, 39, 39.5, 39.6,  
449, 815; 235/380; 283/904; 360/2

(56) **References Cited**

**U.S. PATENT DOCUMENTS**

1,730,246 A	10/1929	Salfisberg	
3,242,959 A	3/1966	Glass	150/39
3,606,777 A	9/1971	Watson	70/458
3,650,210 A	3/1972	Archer	101/369
4,100,011 A	7/1978	Foote	156/272
4,739,877 A	4/1988	Olson	206/38.1
4,829,690 A	5/1989	Andros	40/642
D302,074 S	7/1989	Halasz	D3/62

(List continued on next page.)

**FOREIGN PATENT DOCUMENTS**

DE	298 02 638 U1	7/1998
DE	298 12 046 U1	1/1999
EP	0 379 921 A2	1/1990

EP	1 221 518 A2	7/2002
FR	2 794 059 A1	12/2000
JP	2000-113136 A	1/2000
WO	WO 02/067190 A2	8/2002

**OTHER PUBLICATIONS**

Wolfgang Rankl, "Handbuck Der Chipkarten: Aufbau, USW", Handbuch Der Chipkarten, Aufbau-Funktionsweise-Einsatz Von Smart Cards, Muenchen: Carl Hanswer Verlag, DE, 1999, pp. 44-47, 56-61, 68-71.

*Primary Examiner*—Gary D. Watson

*Assistant Examiner*—Elizabeth Albert

(74) *Attorney, Agent, or Firm*—Sidley Austin Brown & Wood LLP

(57) **CLAIM**

The ornamental design for a credit card with case, as shown and described.

**DESCRIPTION**

FIG. 1 is a top view of the credit card and case of the present invention with the card in the fully closed position within the case;

FIG. 2 is an upper side view of the card and case of FIG. 1;

FIG. 3 is a lower side view of the card and case of FIG. 1;

FIG. 4 is a top view of the card and case of FIG. 1 with the card in the partially open position;

FIG. 5 is a top view of the card and case of FIG. 1 with the card in the fully open position;

FIG. 6 is a top view of the card and case of FIG. 1 with the card removed from the case in an exploded condition;

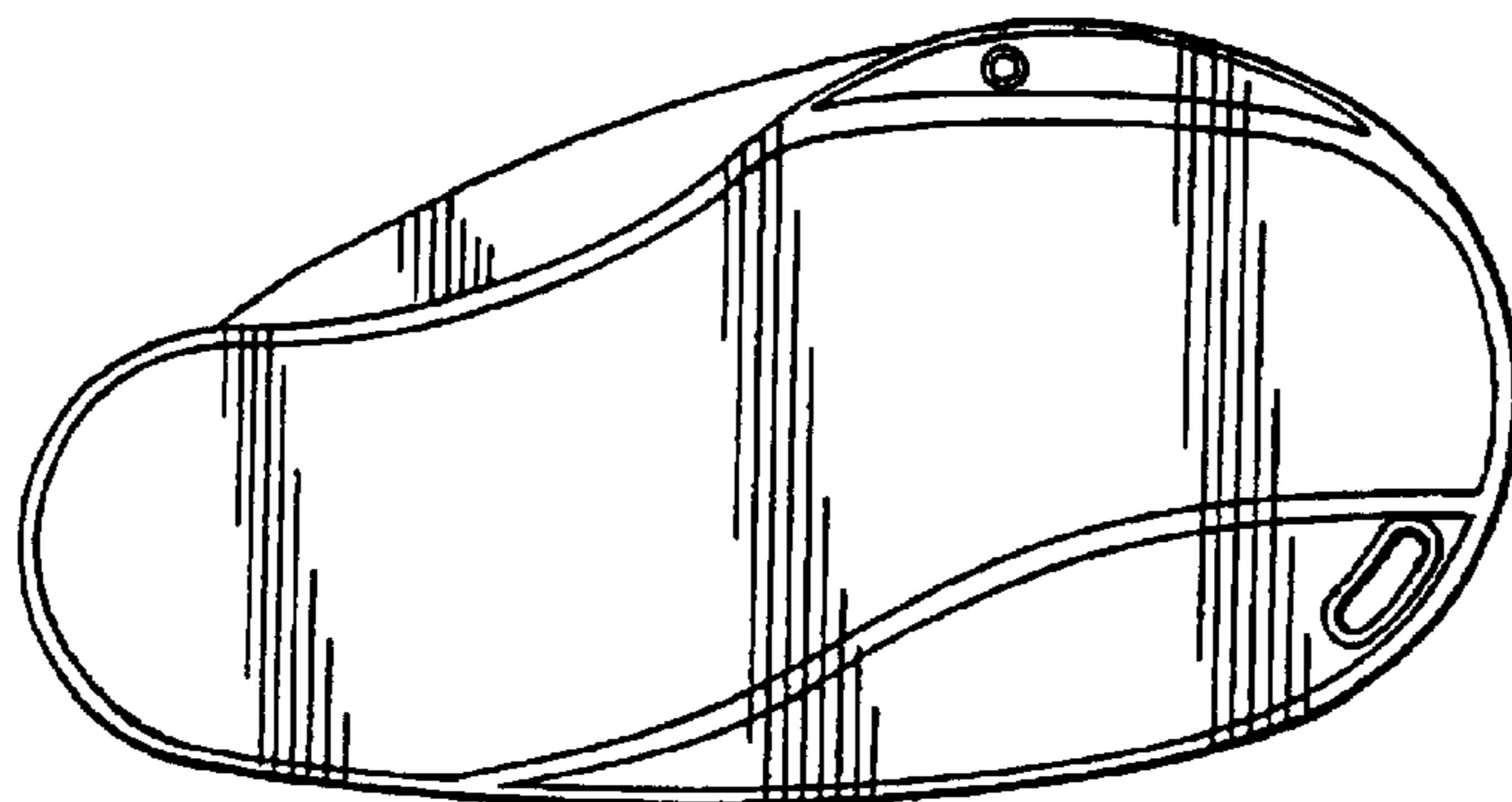
FIG. 7 is a bottom view of the card and case of FIG. 1 with the card in the fully open position;

FIG. 8 is a bottom view of the card and case of FIG. 1 with the card in the fully closed position; and,

FIG. 9 is a perspective bottom view of the card and case of FIG. 1, showing the location of a key ring.

The broken lines showing environment in the drawings are for illustrative purposes only and form no part of the claimed design.

**1 Claim, 3 Drawing Sheets**



# US D498,787 S

Page 2

---

## U.S. PATENT DOCUMENTS

D314,865 S	2/1991	Tuisku .....	D3/56	6,248,199 B1	6/2001	Smulson .....	156/244.12
5,020,255 A	6/1991	Rodel .....	40/654	D453,160 S	1/2002	Pentz et al. ....	D14/436
D324,305 S	3/1992	Prey .....	D3/56	D453,161 S	1/2002	Pentz et al. ....	D14/436
5,217,056 A	6/1993	Ritter .....	150/147	D453,336 S	2/2002	Pentz et al. ....	D14/436
5,520,230 A	5/1996	Sumner, III .....	150/147	D453,337 S	2/2002	Pentz et al. ....	D14/436
D372,358 S	8/1996	Mathison .....	D3/247	D453,338 S	2/2002	Pentz et al. ....	D14/436
D381,499 S	7/1997	Campbell .....	D3/212	D453,339 S	2/2002	Pentz .....	D14/436
5,718,329 A	2/1998	Ippolito et al. ....	206/38	D453,516 S	2/2002	Pentz .....	D14/436
D393,150 S	4/1998	Swanston et al. ....	D3/247	D453,517 S	2/2002	Pentz .....	D14/436
D396,882 S	8/1998	Neal, Jr. ....	D19/10	D456,814 S	5/2002	Pentz .....	D14/436
D411,765 S	7/1999	Holihan .....	D3/247	D460,454 S	7/2002	Pentz .....	D14/436
D419,289 S	1/2000	Edwards .....	D3/208	D460,455 S	7/2002	Pentz .....	D14/436
6,011,677 A	1/2000	Rose .....	360/133	D462,965 S	9/2002	Pentz .....	D14/436
6,155,410 A	12/2000	Davis .....	206/39.5	D462,966 S	9/2002	Pentz et al. ....	D14/436
D436,991 S	1/2001	Morgante .....	D19/9	D470,657 S	2/2003	Kawamura .....	D3/247
				D474,234 S	5/2003	Nelms et al. ....	D19/9
				2002/0092914 A1	7/2002	Pentz et al. ....	235/487

FIG.1

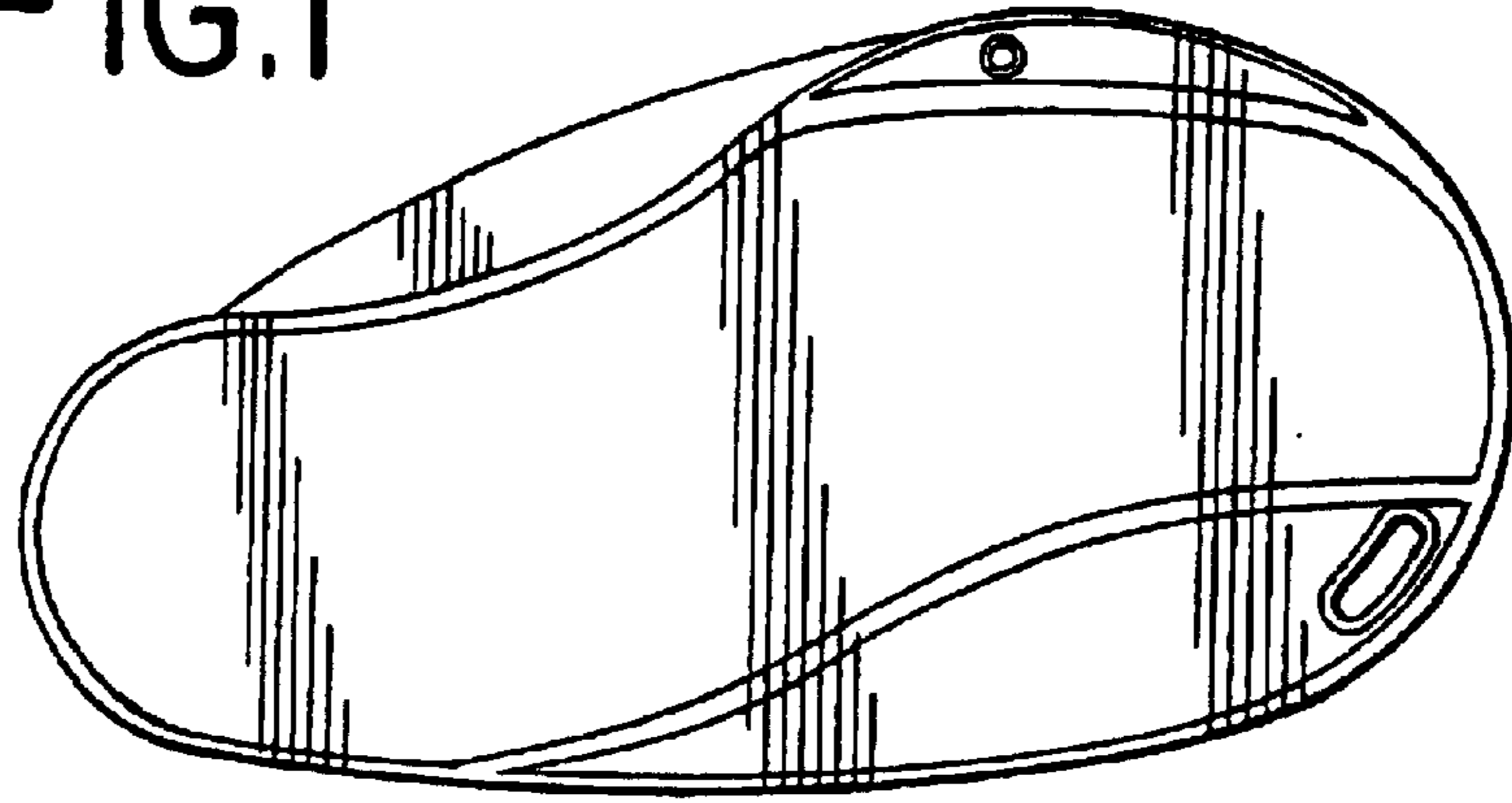


FIG.2

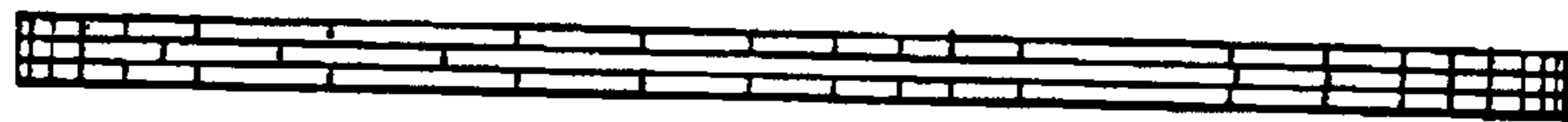


FIG.3

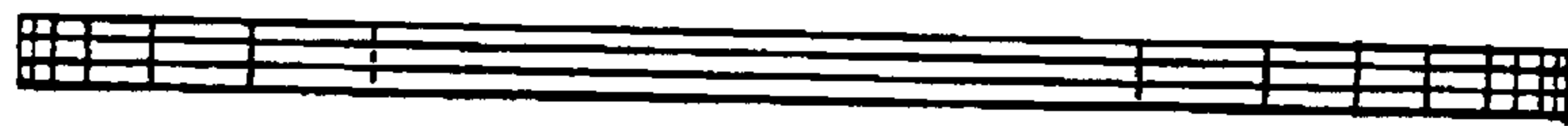


FIG.4

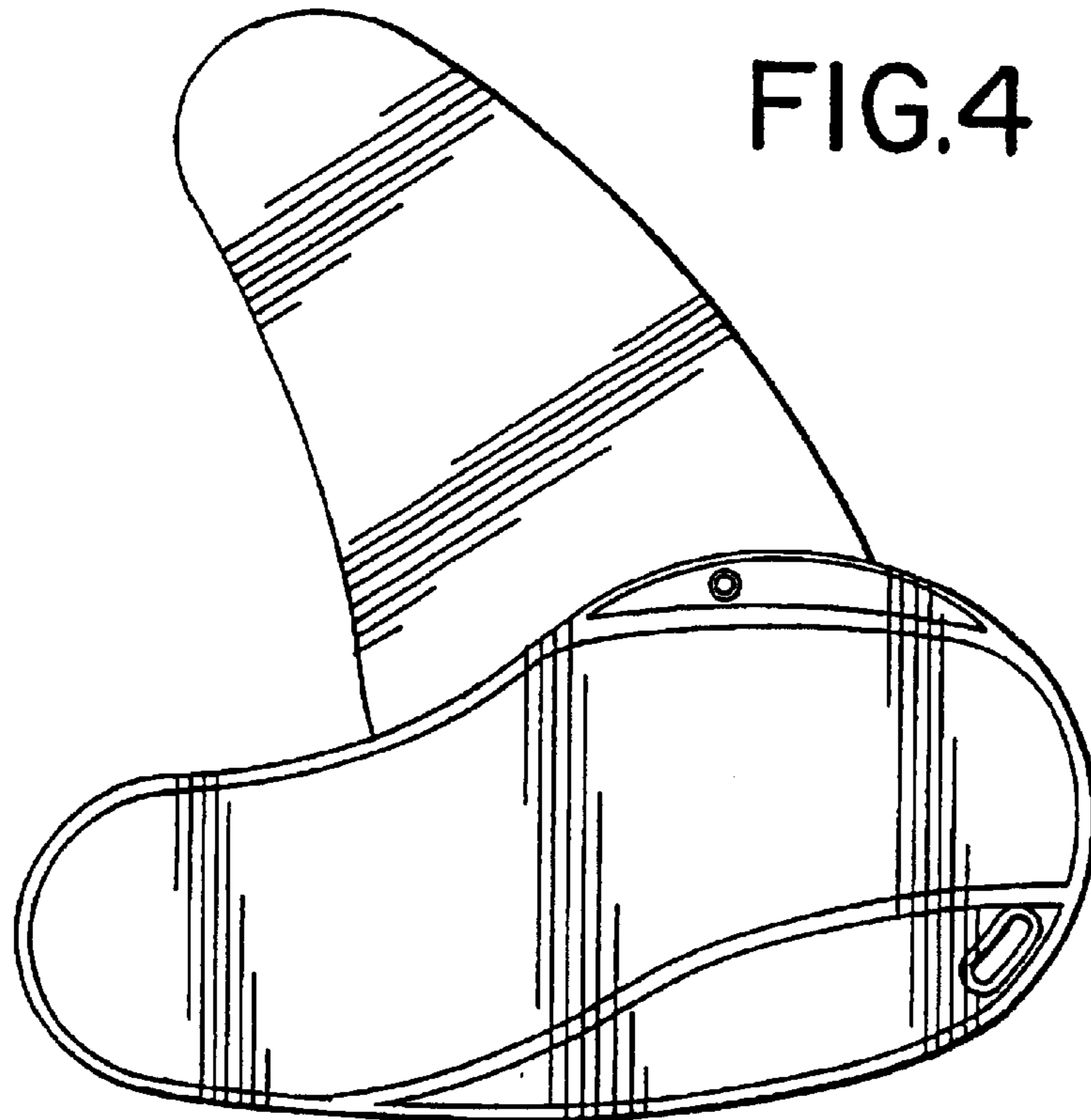


FIG. 5

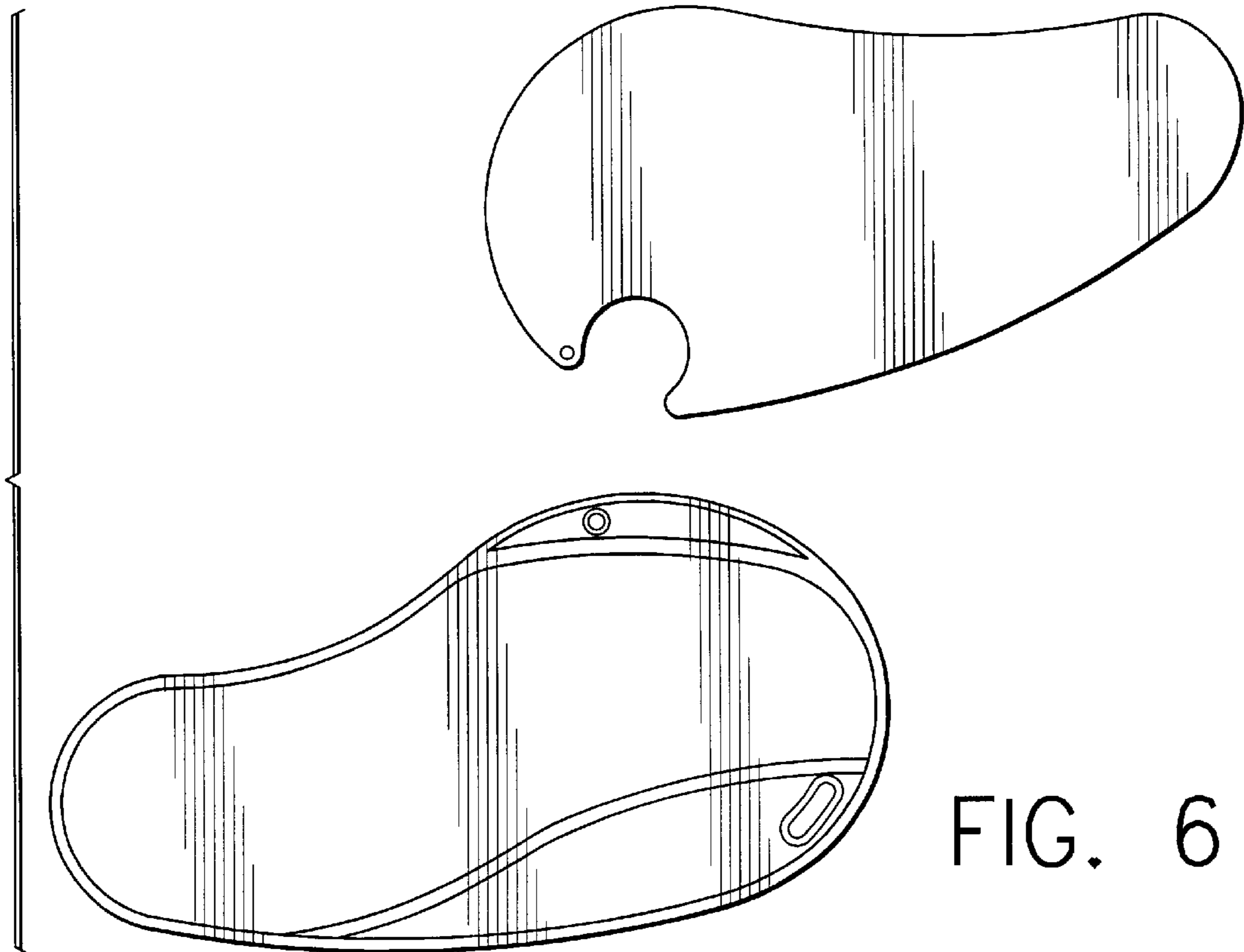
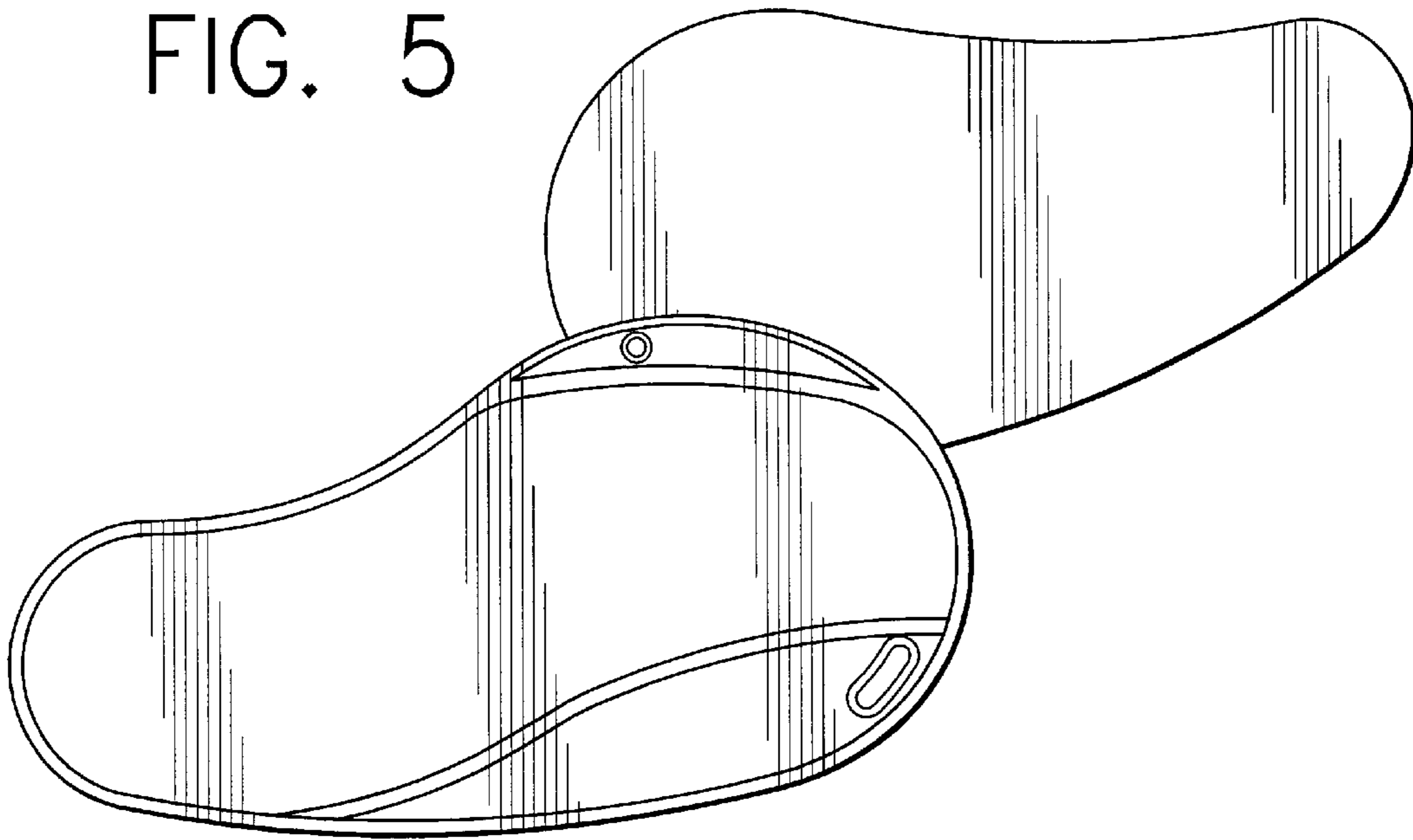


FIG. 6

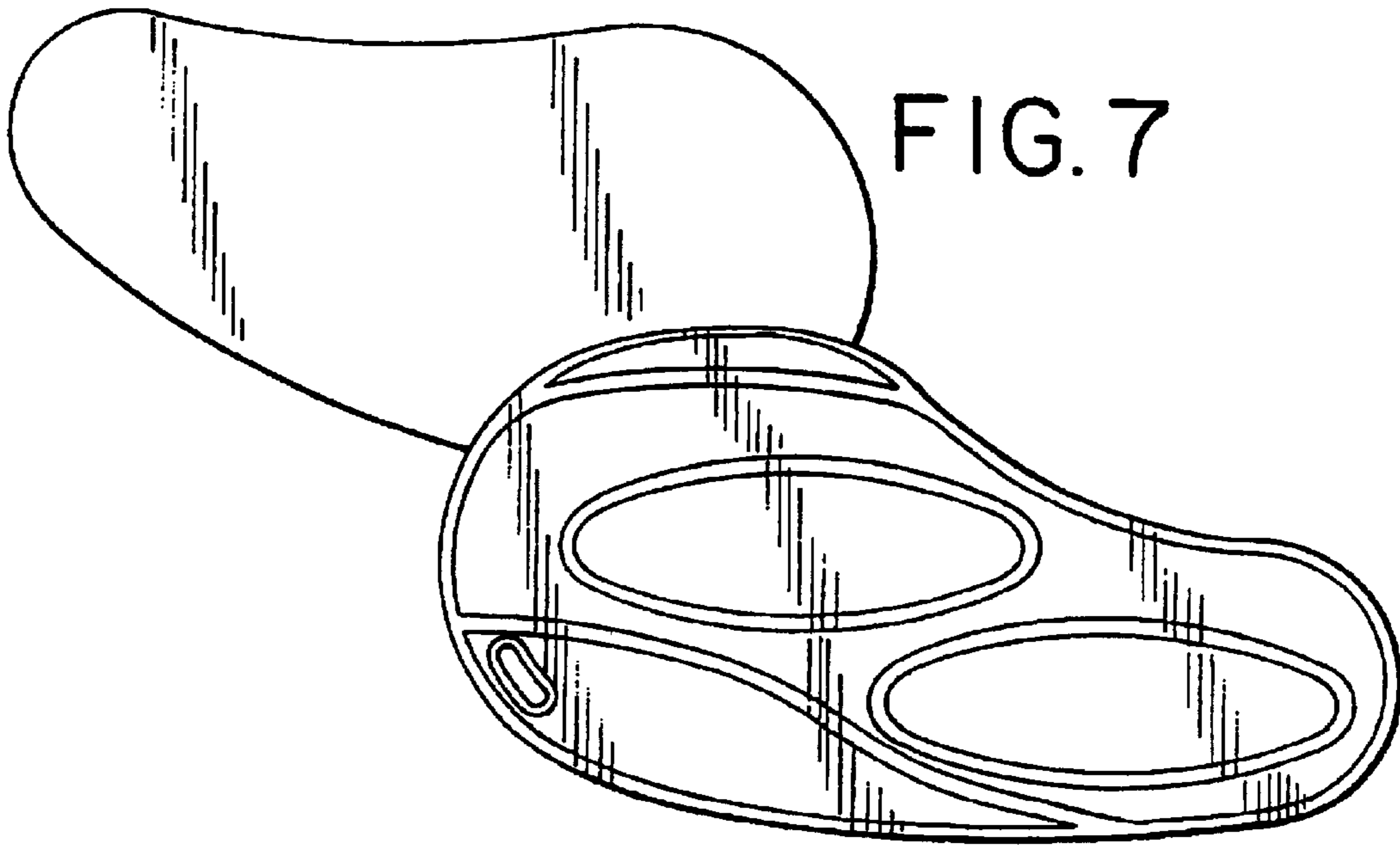


FIG. 7

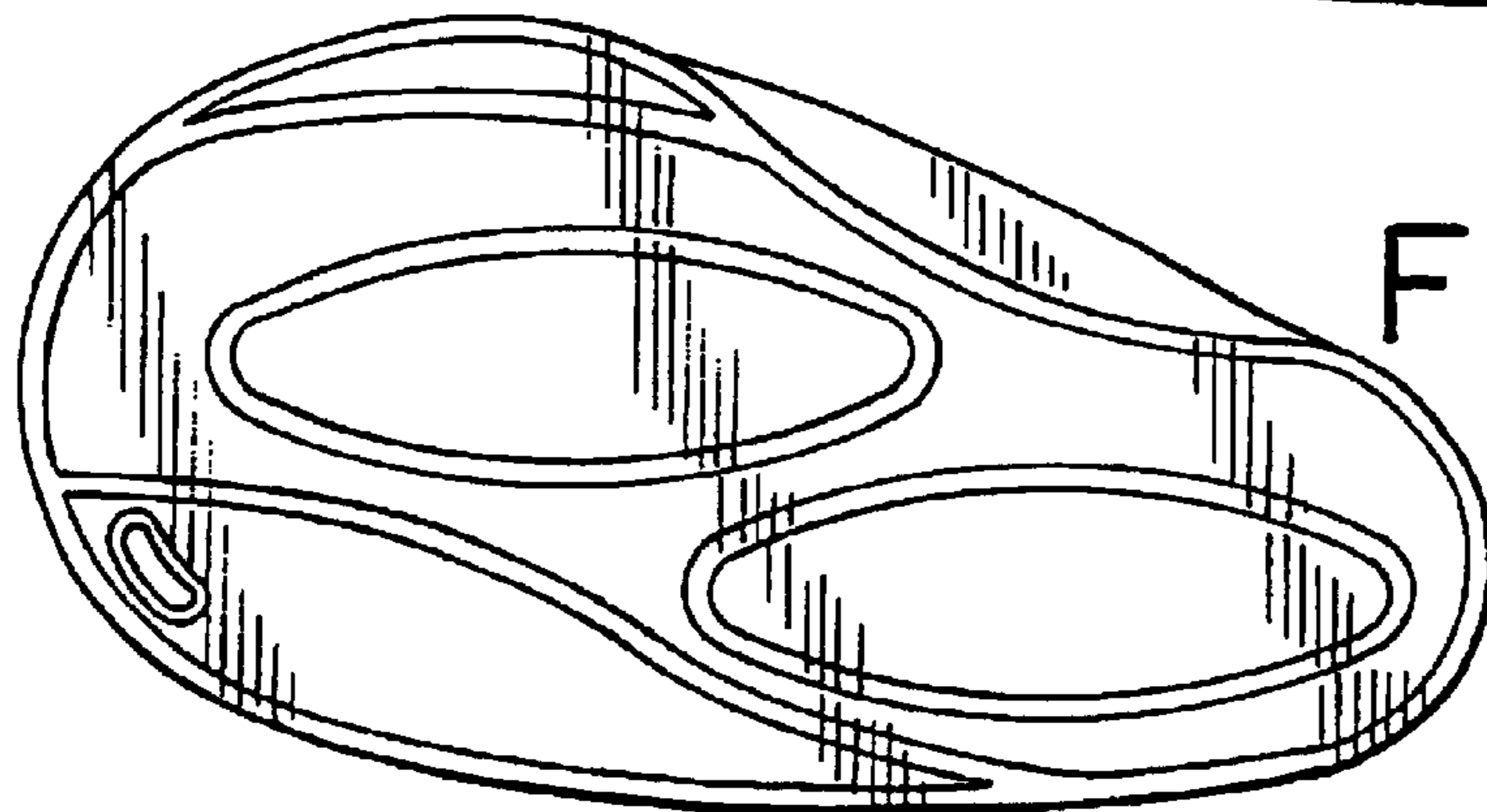


FIG. 8

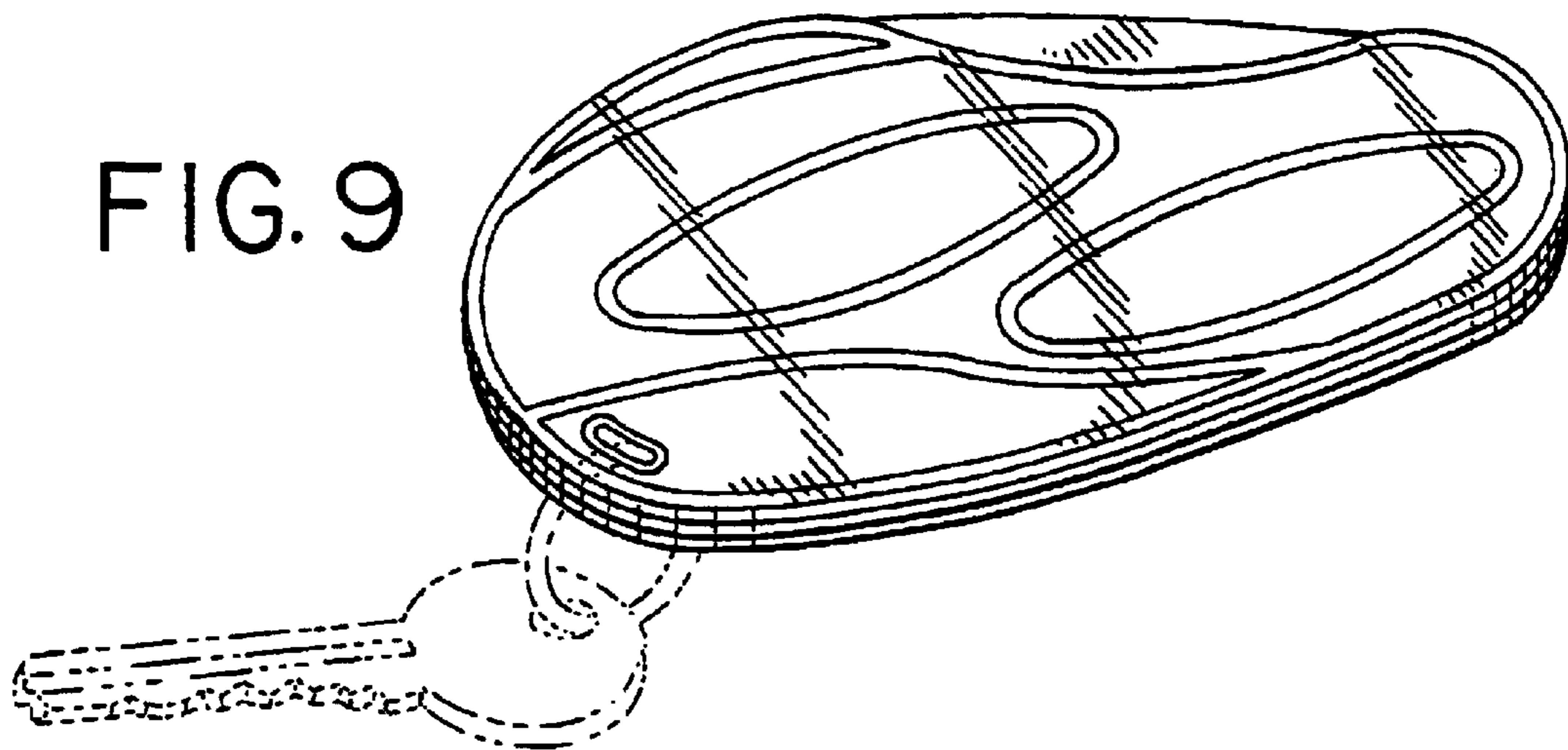


FIG. 9