

US00D498786S

(12) **United States Design Patent**
Suzuki et al.

(10) **Patent No.: US D498,786 S**

(45) **Date of Patent: ** Nov. 23, 2004**

(54) **PRINTER**

D466,922 S * 12/2002 Tashiro D18/54
D479,264 S * 9/2003 Suzuki et al. D18/55

(75) Inventors: **Wataru Suzuki**, Nagano-ken (JP);
Kenji Yanagisawa, Nagano-ken (JP);
Hirokazu Yamano, Nagano-ken (JP);
Daisuke Imai, Nagano-ken (JP); **Toru Nakazawa**, Nagano (JP)

* cited by examiner

Primary Examiner—Cathy Anne MacCormac
(74) *Attorney, Agent, or Firm*—Sughrue, Mion, PLLC

(73) Assignee: **Seiko Epson Corporation**, Tokyo (JP)

(57) **CLAIM**

(**) Term: **14 Years**

The ornamental design for a printer, as shown and described.

(21) Appl. No.: **29/175,578**

DESCRIPTION

(22) Filed: **Feb. 7, 2003**

(30) **Foreign Application Priority Data**

Aug. 8, 2002 (JP) 2002-021335

(51) **LOC (7) Cl.** **14-02**

(52) **U.S. Cl.** **D18/55**

(58) **Field of Search** D18/19, 36–39,
D18/50, 54–54.1, 55; D14/420–426, 428,
462–470; 400/691–694, 613, 613.1–613.4,
690.1–690.4

FIG. 1 is a perspective view of the top, front and right side of a printer showing our new design;

FIG. 2 is a front elevational view thereof;

FIG. 3 is a top plan view thereof;

FIG. 4 is a right side elevational view thereof;

FIG. 5 is a left side elevational view thereof;

FIG. 6 is a rear elevational view thereof;

FIG. 7 is a bottom plan view thereof; and,

FIG. 8 is a view similar to FIG. 1 with the front paper holder in the open, extended position.

(56) **References Cited**

U.S. PATENT DOCUMENTS

D466,920 S * 12/2002 Kawahara et al. D18/50

1 Claim, 8 Drawing Sheets

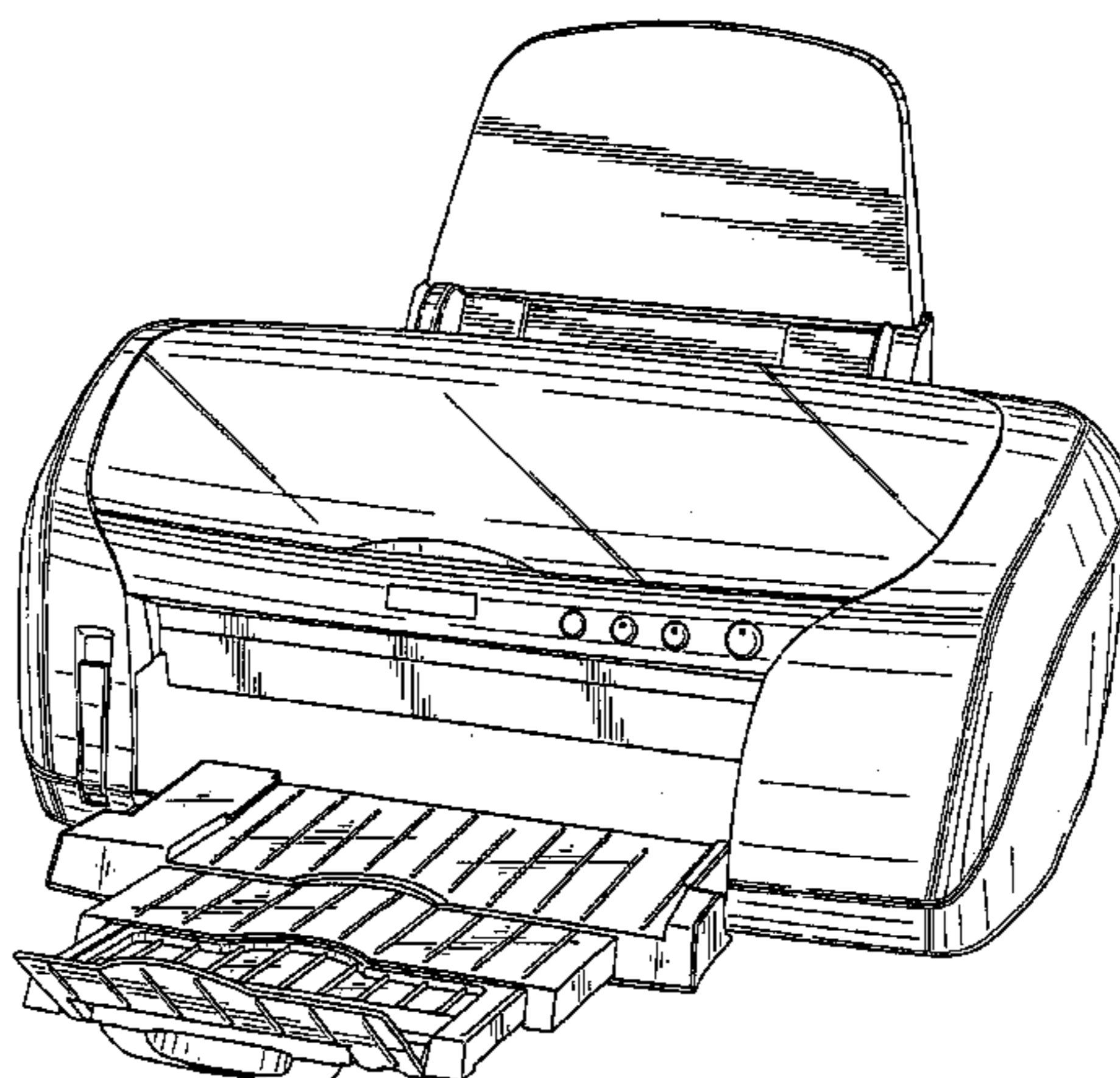
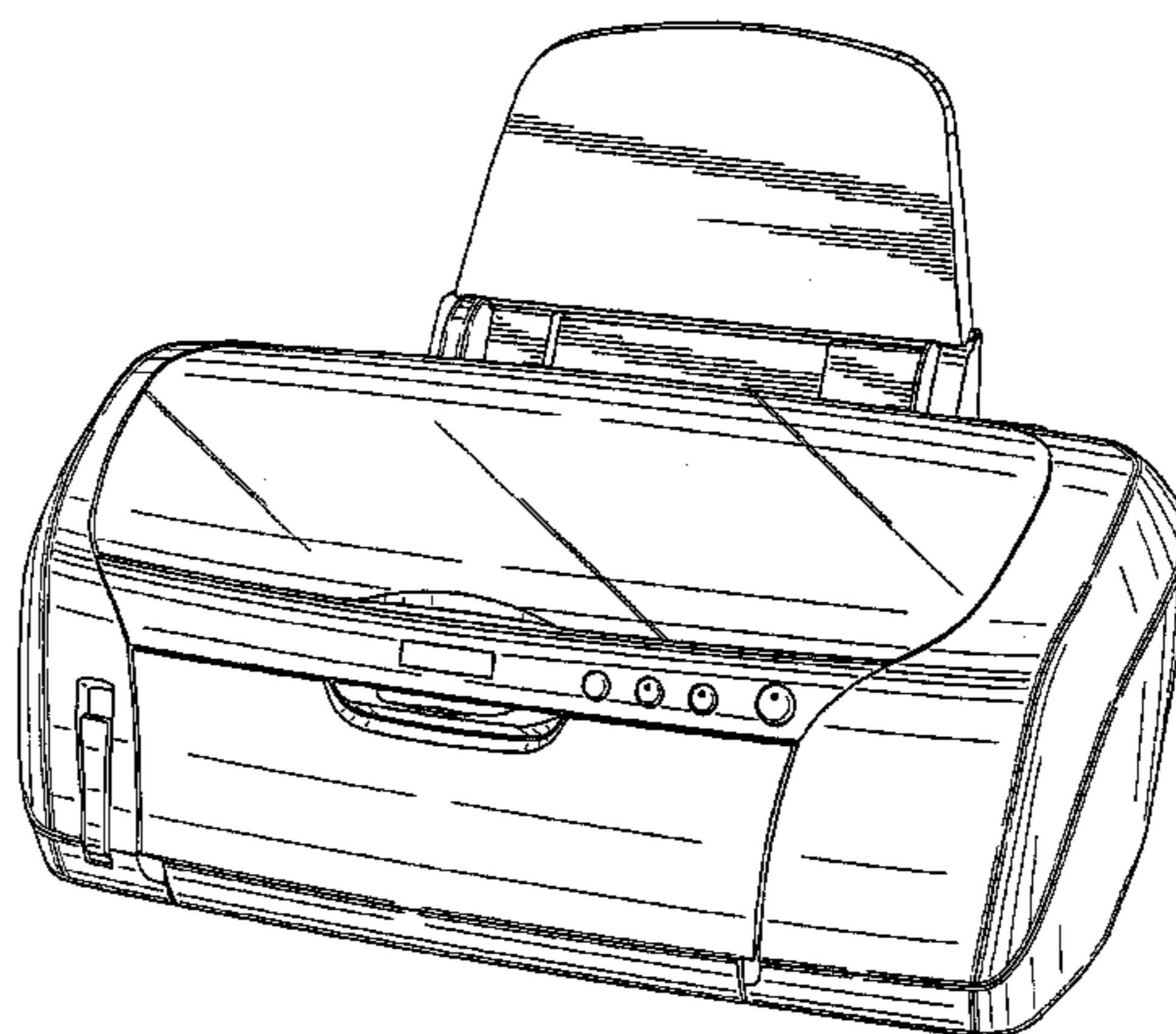


FIG. 1

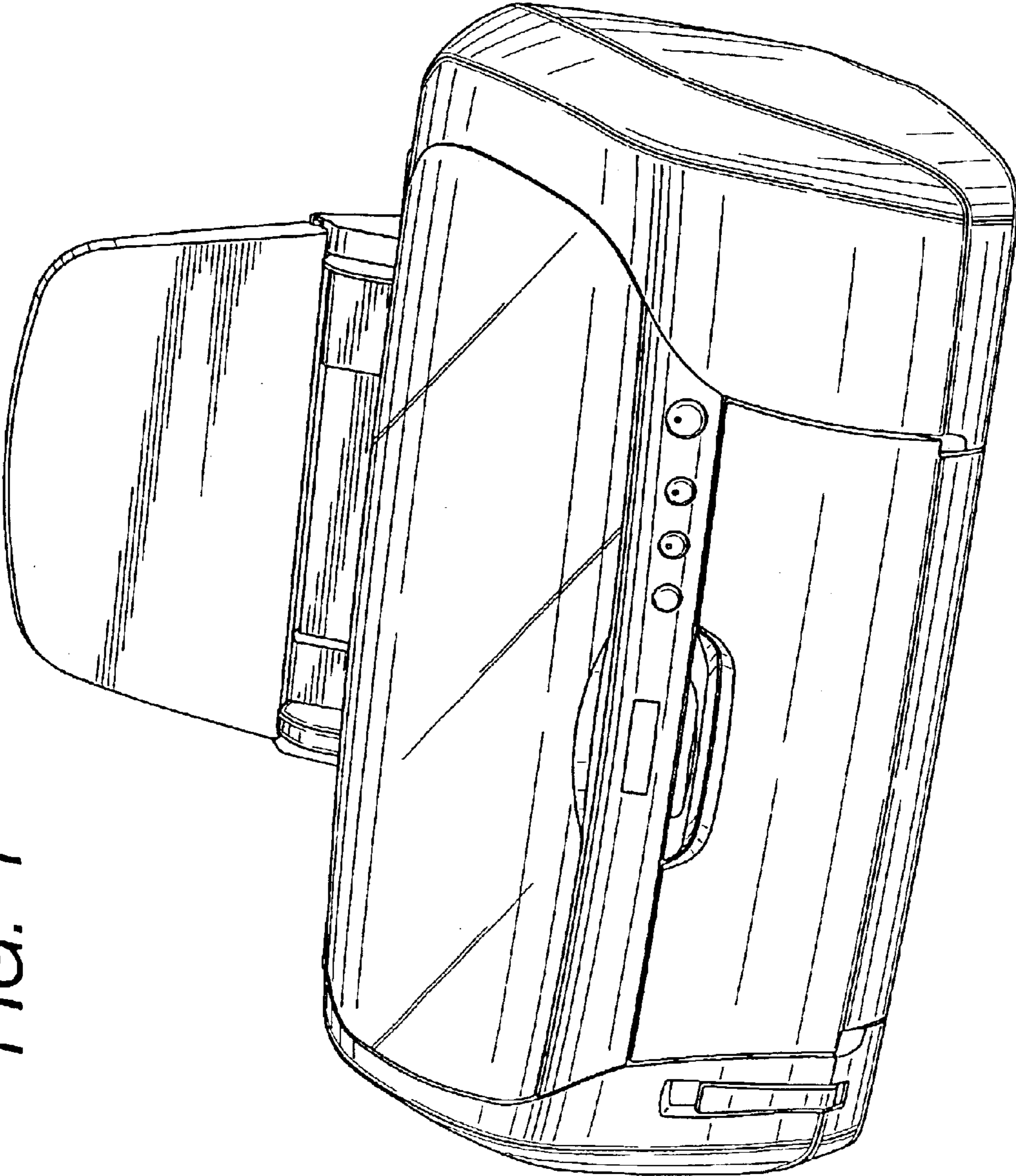


FIG. 2

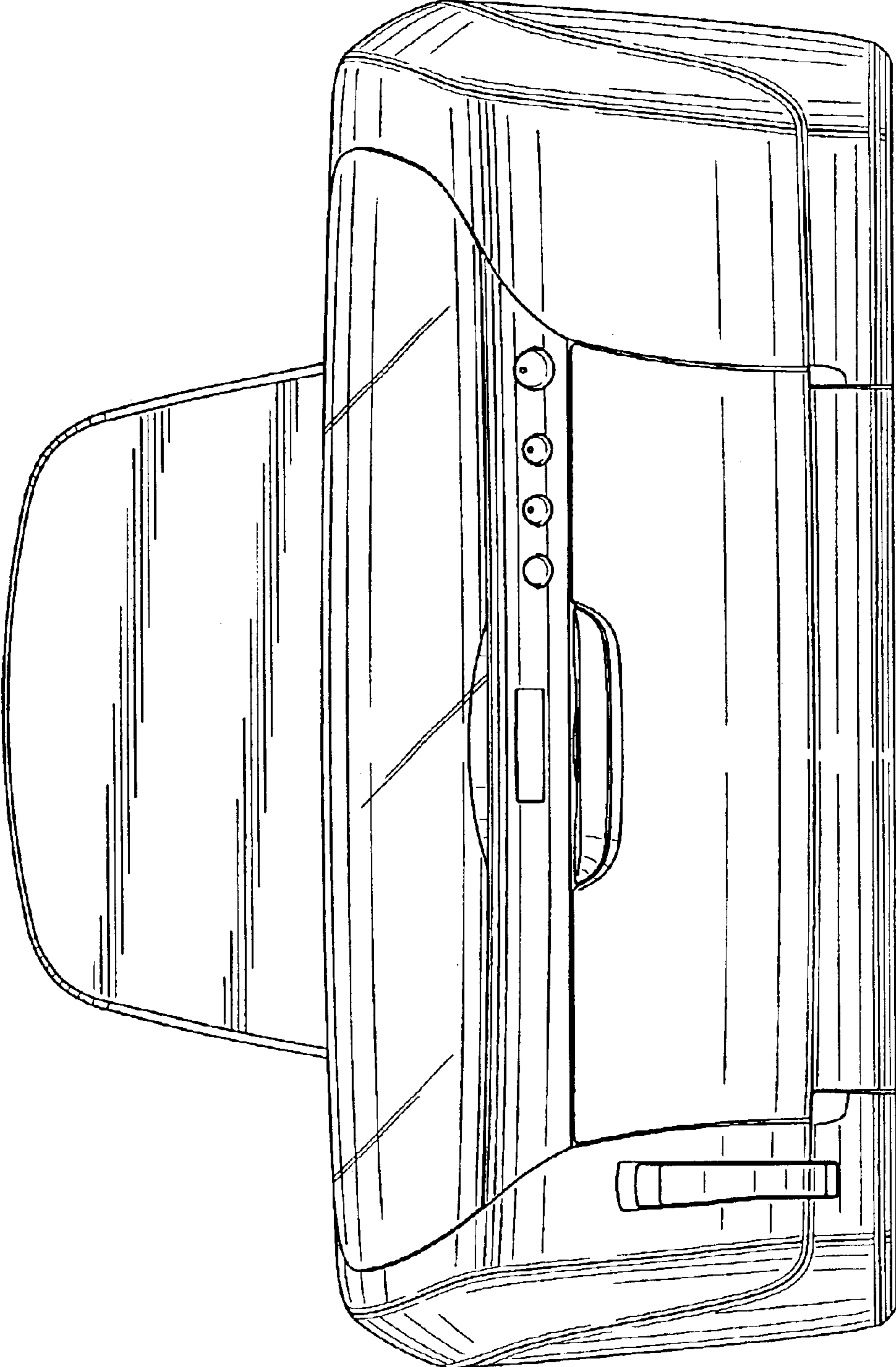


FIG. 3

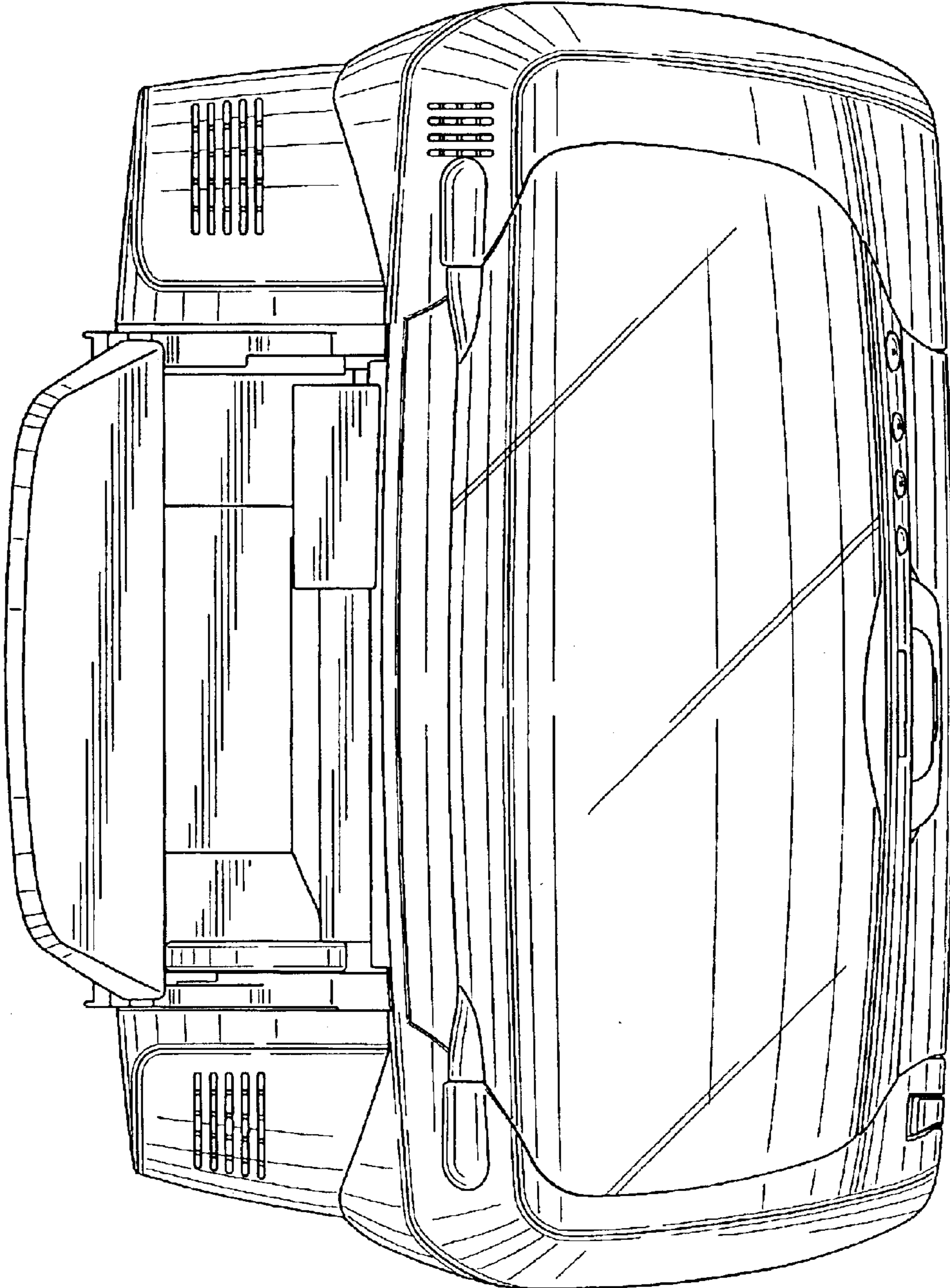


FIG. 4

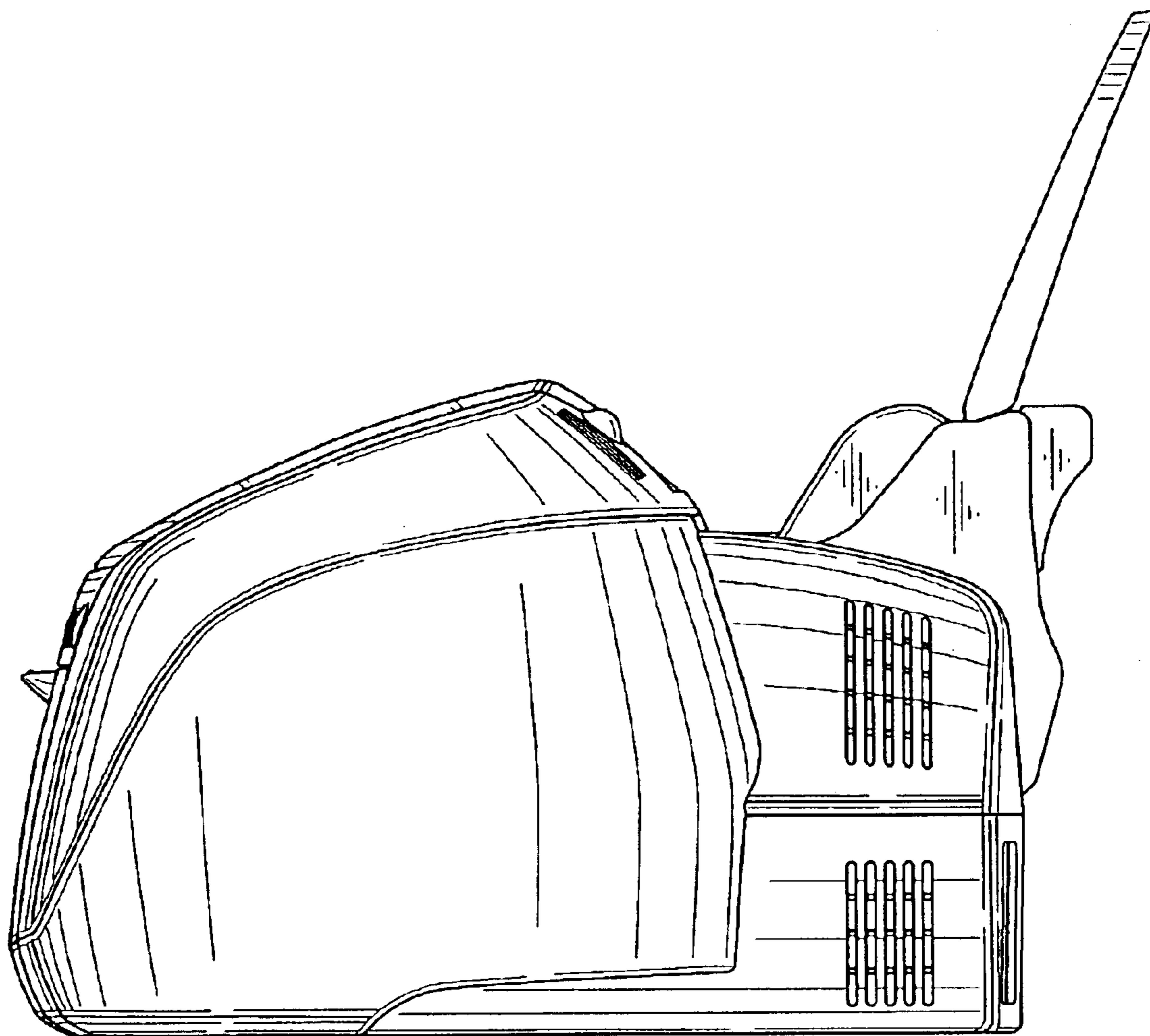


FIG. 5

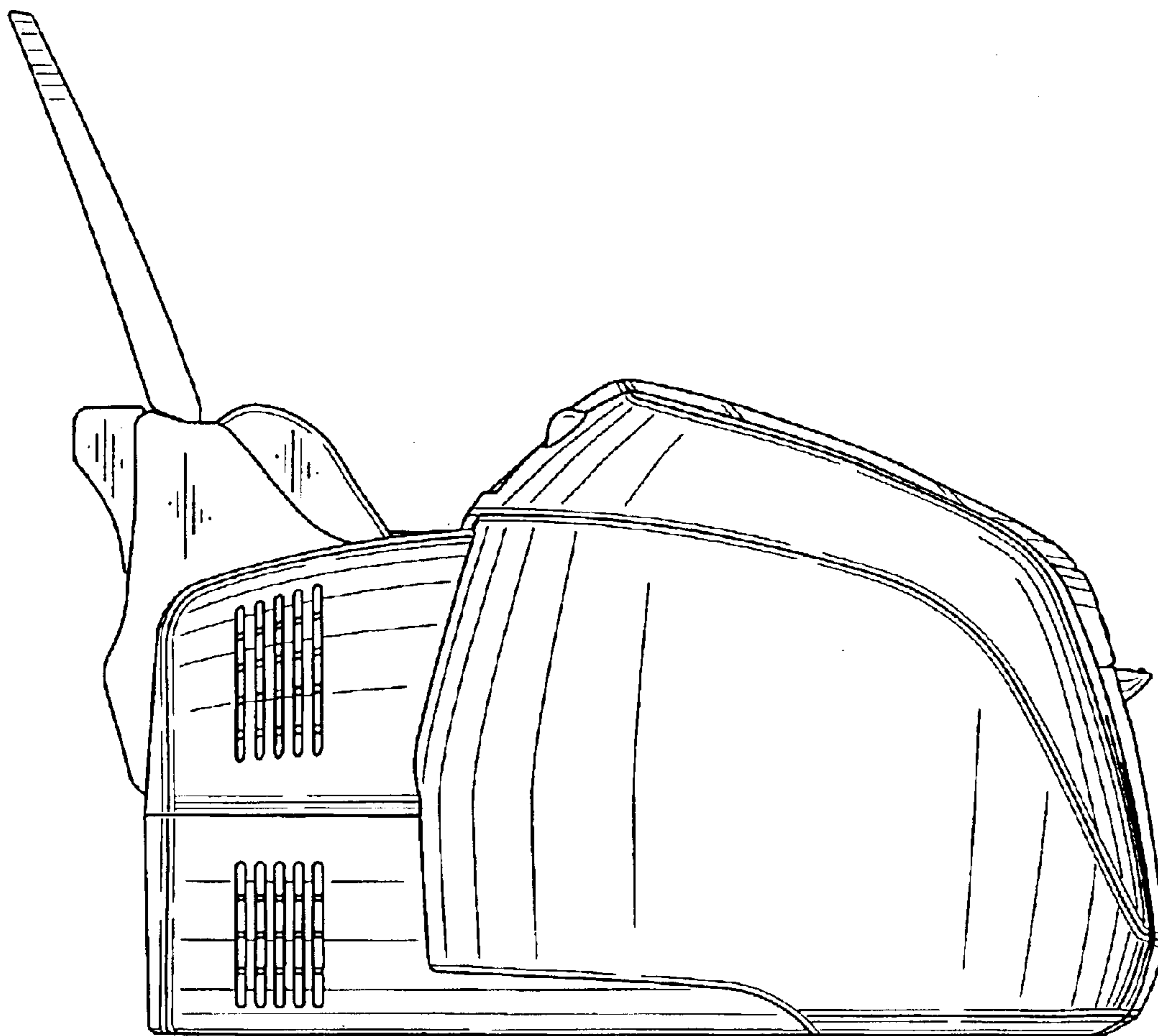


FIG. 6

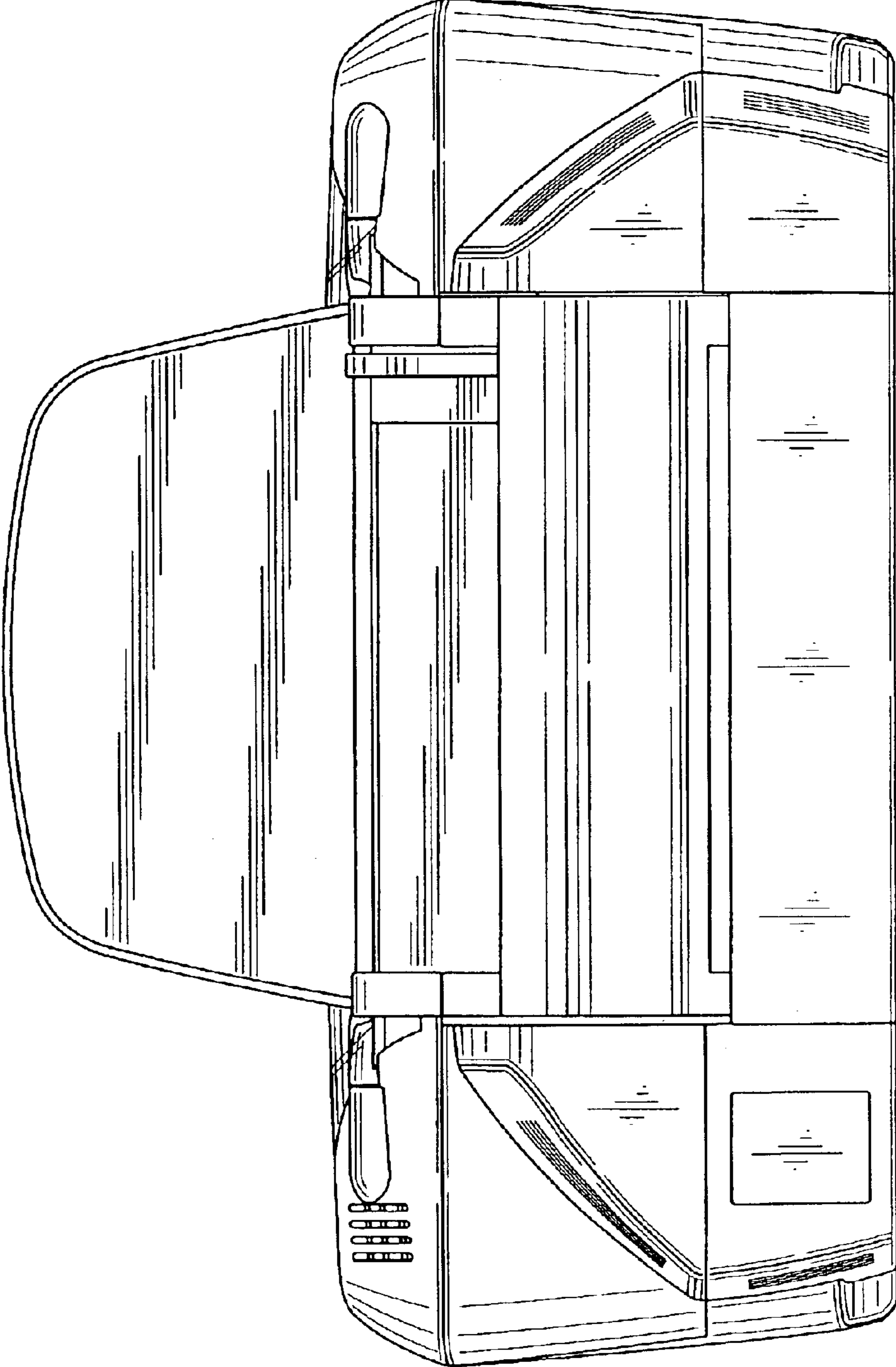
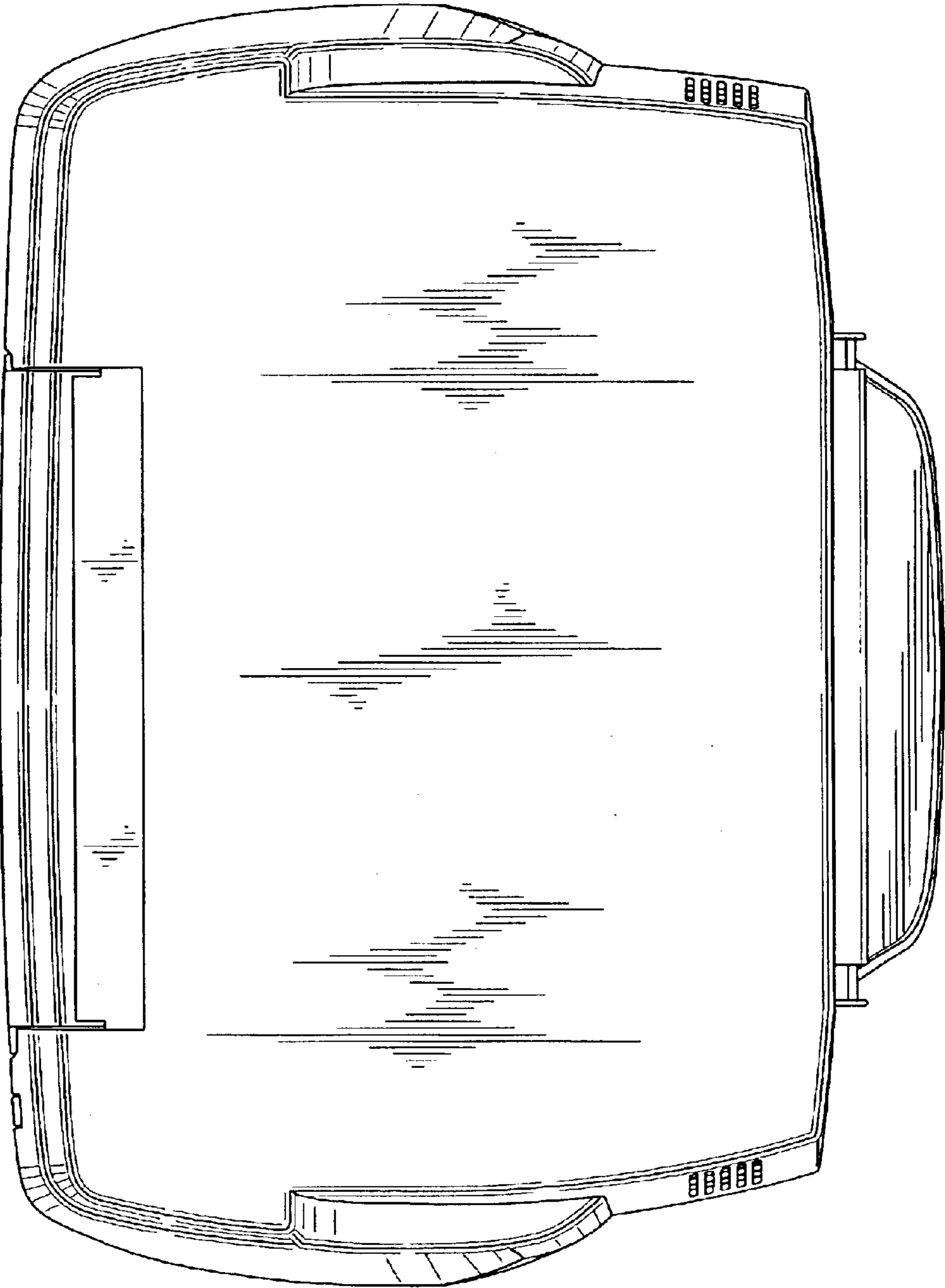


FIG. 7



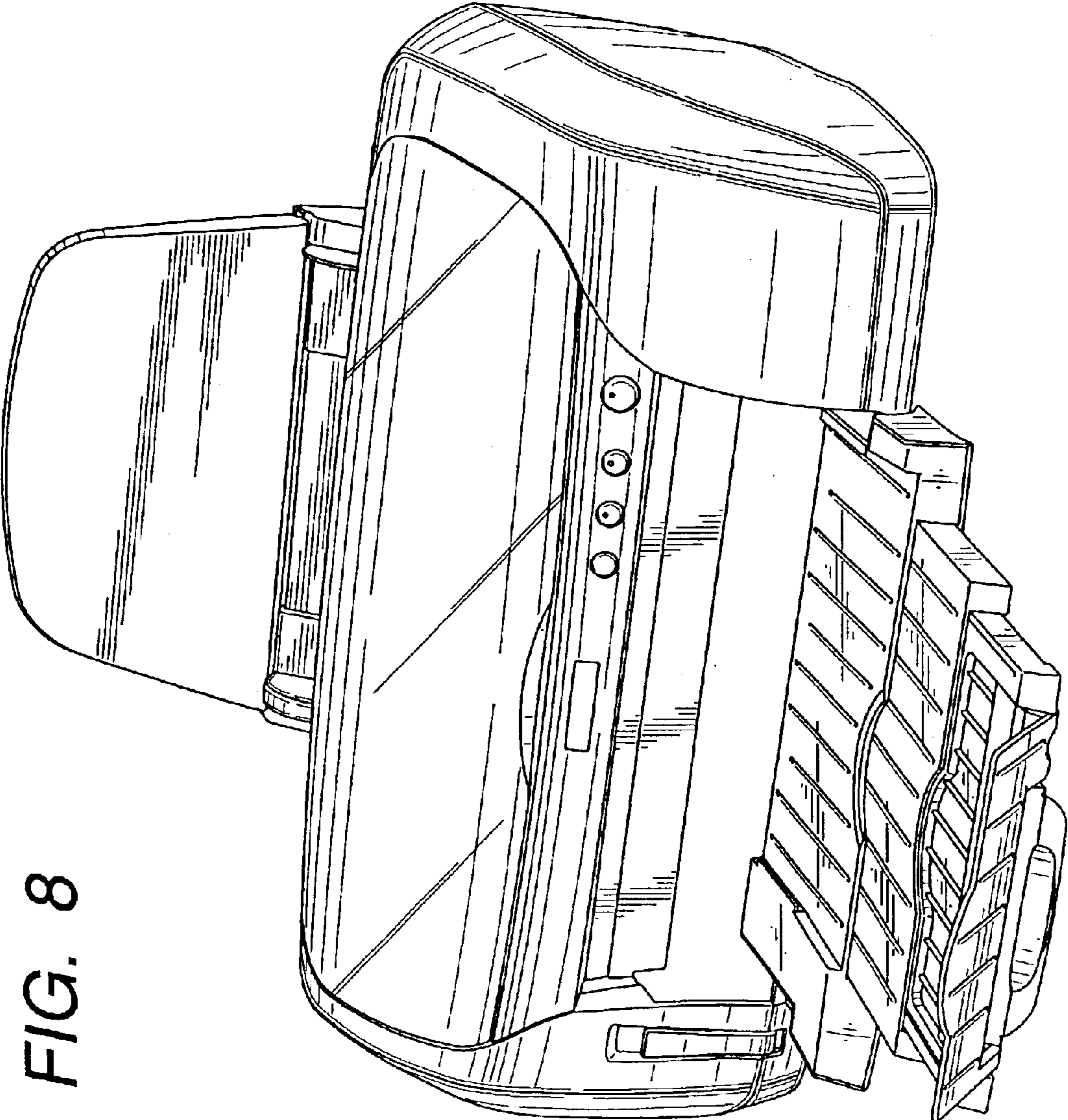


FIG. 8