

US00D498784S

(12) **United States Design Patent**  
**Cleary et al.**

(10) **Patent No.:** **US D498,784 S**

(45) **Date of Patent:** **\*\* Nov. 23, 2004**

- (54) **STRAP**
- (75) Inventors: **Stephen Cleary**, Waterbury, VT (US);  
**Joshua B. Poulsen**, Tooele, UT (US)
- (73) Assignee: **The Burton Corporation**, Burlington,  
VT (US)
- (\*\*) Term: **14 Years**
- (21) Appl. No.: **29/173,627**
- (22) Filed: **Jan. 2, 2003**
- (51) **LOC (7) Cl.** ..... **16-06**
- (52) **U.S. Cl.** ..... **D16/339**
- (58) **Field of Search** ..... D16/300, 303,  
D16/309, 311-312, 330, 335-336, 339;  
D21/804; D2/866, 878; 351/41, 44, 51,  
52, 123, 156-158, 43; 2/448, 452

- 5,611,118 A 3/1997 Bibbee
- 5,651,146 A 7/1997 Chao
- D384,089 S 9/1997 Yashiro
- 5,706,527 A 1/1998 Kita et al.
- 5,711,036 A 1/1998 Kita et al.
- 5,727,259 A 3/1998 Kawamata
- 5,799,338 A 9/1998 Huang
- 5,802,622 A 9/1998 Baharad et al.
- 5,813,056 A 9/1998 Ambrose
- 5,857,221 A 1/1999 Geneva et al.
- 5,896,589 A 4/1999 Chou
- 5,926,855 A 7/1999 Brodbeck
- 5,956,778 A 9/1999 Godoy
- 6,038,706 A 3/2000 Seiler

(List continued on next page.)

**FOREIGN PATENT DOCUMENTS**

- EP 0 732 259 9/1996
- WO WO 98/38544 9/1998

*Primary Examiner*—Raphael Barkai  
(74) *Attorney, Agent, or Firm*—Wolf, Greenfield & Sacks,  
P.C.

(56) **References Cited**

**U.S. PATENT DOCUMENTS**

- 282,285 A 7/1883 Dessart
- 886,780 A 5/1908 Dwyer
- 1,365,425 A 1/1921 Shewhart
- 1,695,747 A 12/1928 Tost
- 1,942,442 A 1/1934 Motsinger
- 2,277,994 A 3/1942 Roberts
- 2,650,400 A 9/1953 Kellems
- 2,898,596 A 8/1959 Keen
- 3,397,026 A 8/1968 Spina
- 4,077,068 A 3/1978 Anderson
- 4,112,521 A 9/1978 Uke
- 4,468,819 A 9/1984 Ohno
- 4,511,225 A 4/1985 Lipson
- 4,607,398 A 8/1986 Faulconer
- D319,111 S 8/1991 Sandel et al.
- 5,237,986 A 8/1993 Seppala et al.
- 5,303,428 A 4/1994 Pernicka
- 5,313,671 A 5/1994 Flory
- 5,502,844 A 4/1996 Alvarado
- 5,511,251 A 4/1996 Brakas
- 5,511,290 A 4/1996 Perry et al.
- 5,541,676 A 7/1996 Pallat

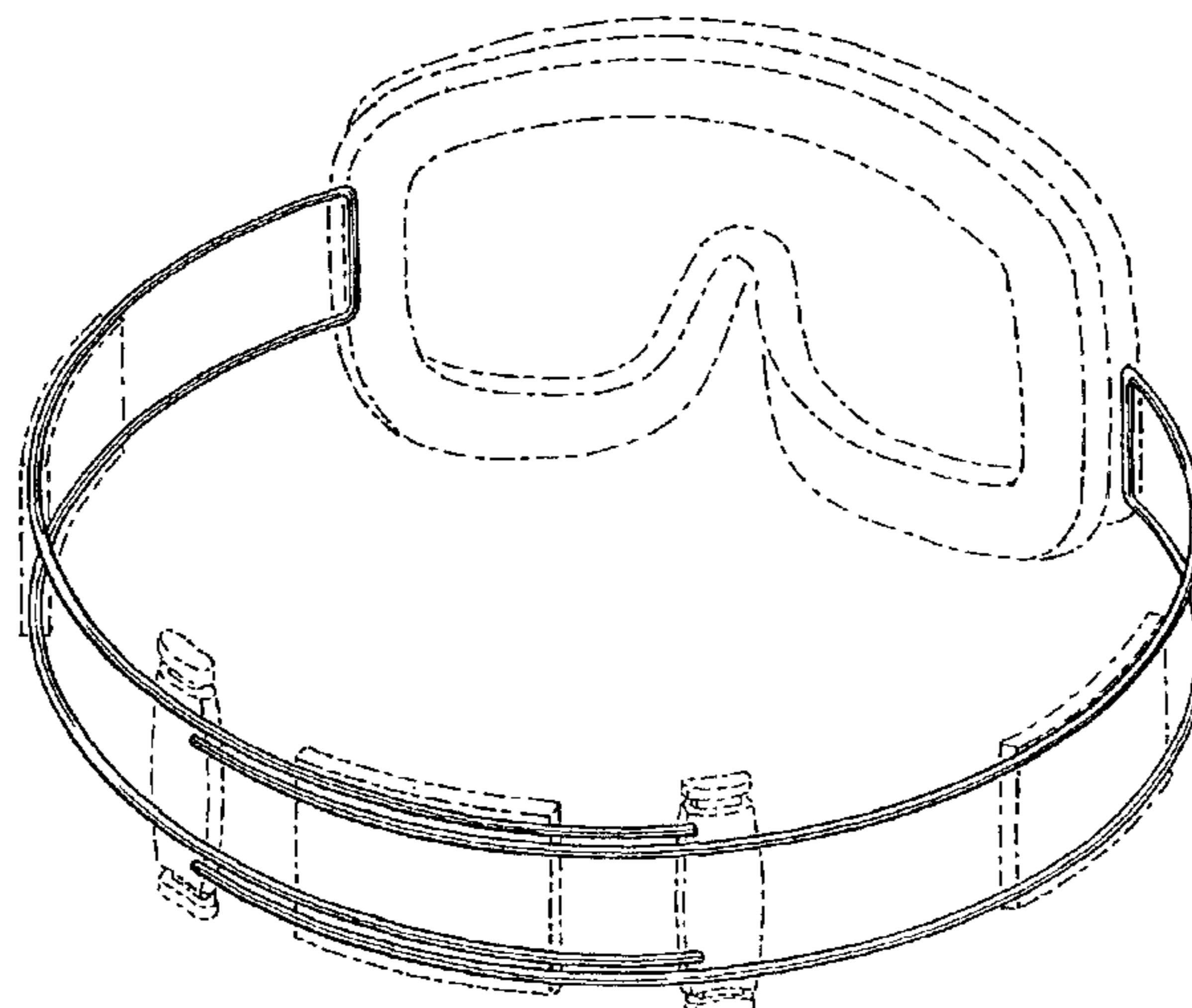
(57) **CLAIM**

The ornamental design for a strap, as shown and described.

**DESCRIPTION**

FIG. 1 is a top, front, right side perspective view of a strap according to one embodiment of the invention;  
 FIG. 2 is a front elevational view of the embodiment of FIG. 1, the back elevational view being a mirror image thereof;  
 FIG. 3 is a left side elevational view of the embodiment of FIG. 1, the right side being a mirror image thereof;  
 FIG. 4 is a top plan view of the embodiment of FIG. 1, the bottom plan view being a mirror image thereof; and,  
 FIG. 5 is a top, front, right side perspective view of the strap of the embodiment of FIG. 1 in use with eyewear and in an expanded configuration.  
 The broken lines are for illustrative purposes only and form no part of the claimed design.

**1 Claim, 2 Drawing Sheets**



# US D498,784 S

Page 2

---

## U.S. PATENT DOCUMENTS

6,067,664 A	5/2000	Cortes	6,341,383 B1	1/2002	Beltrani
6,076,196 A	6/2000	Masumoto	6,367,091 B1	4/2002	Chiang
6,092,897 A	7/2000	Smerdon, Jr.	D456,870 S *	5/2002	Suissa ..... D16/339
6,105,177 A	8/2000	Paulson et al.	6,389,655 B2	5/2002	Libecco
6,119,277 A	9/2000	Chiang	6,405,384 B1	6/2002	Chiang
6,131,246 A	10/2000	Paulson et al.	6,415,482 B1	7/2002	Pontaoe
6,189,186 B1	2/2001	Boden	2001/0001340 A1	5/2001	Libecco
6,237,252 B1	5/2001	Cook	2001/0034896 A1	11/2001	Chiang
6,247,811 B1	6/2001	Rhoades et al.	2002/0029407 A1	3/2002	Blechman

\* cited by examiner

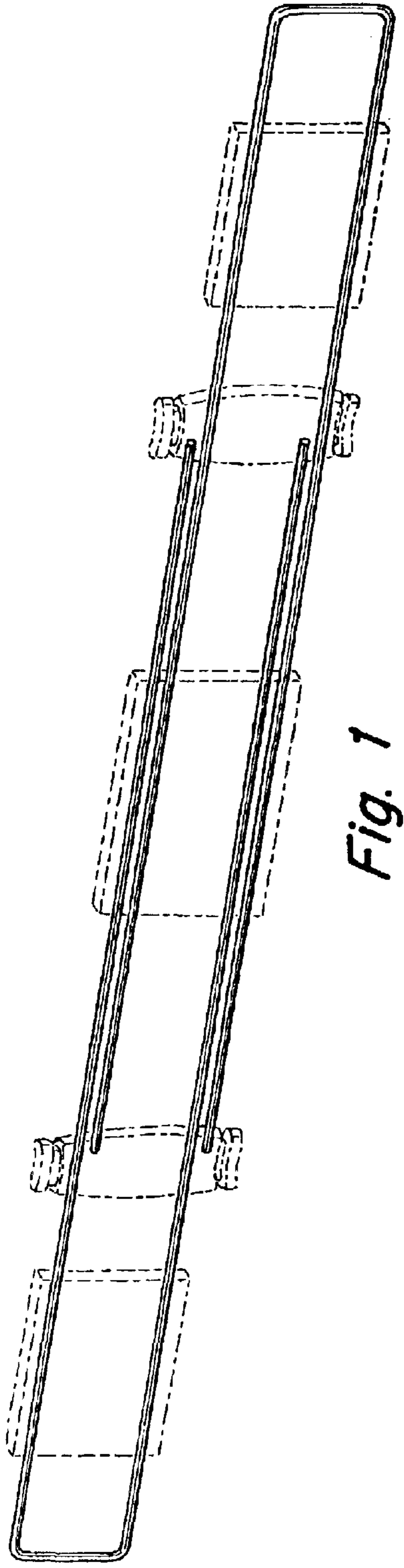


Fig. 1

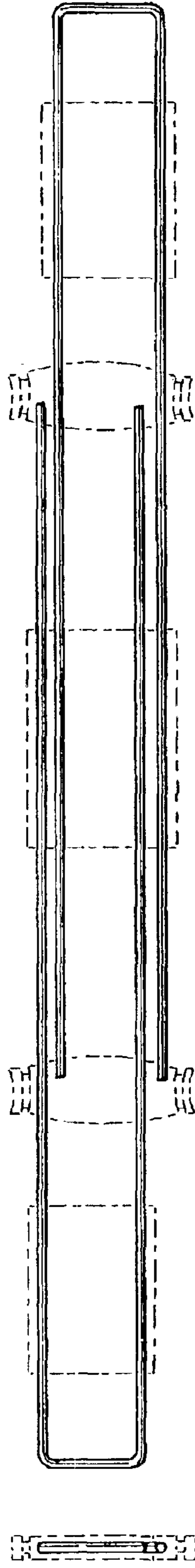
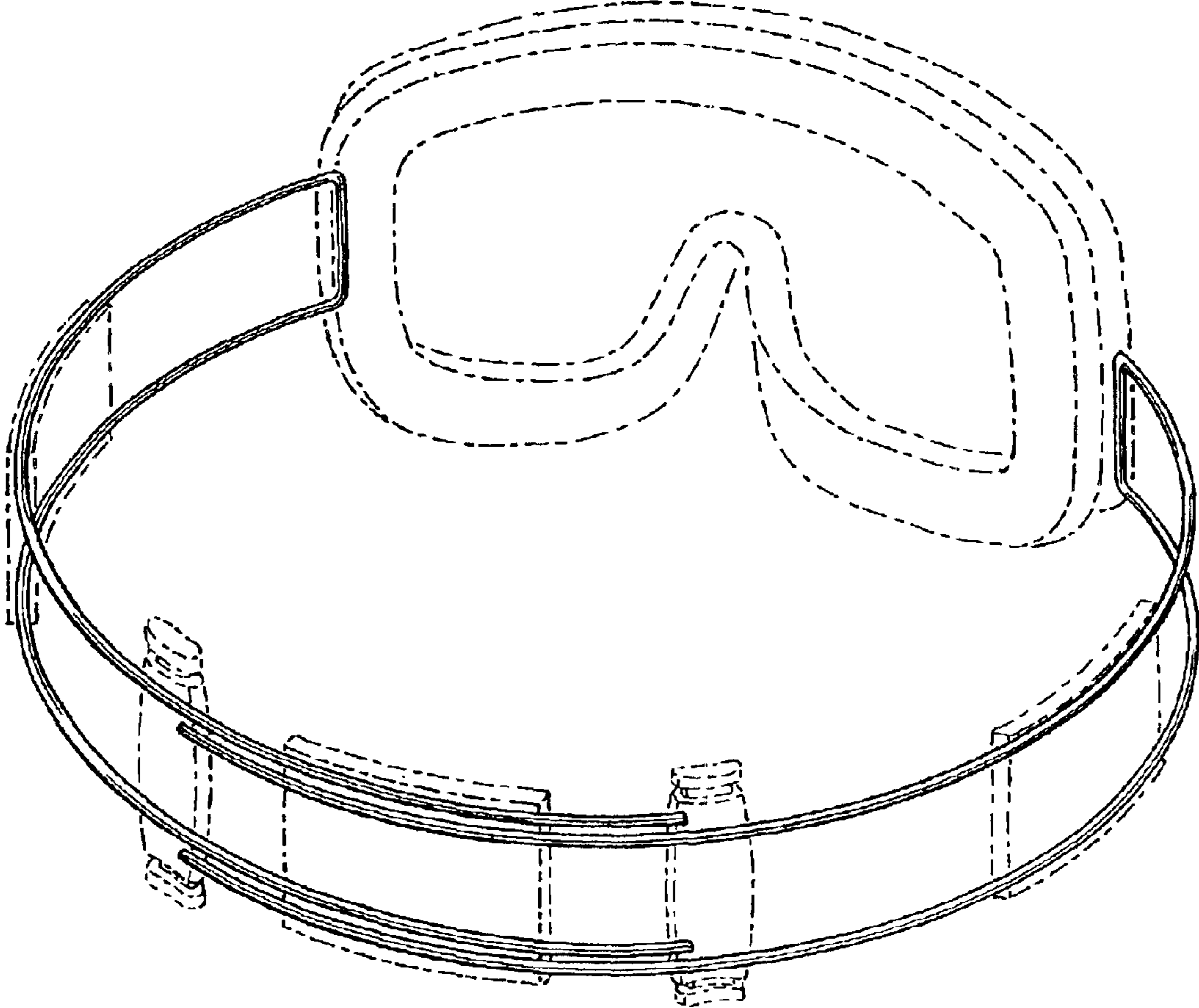


Fig. 2



Fig. 3

Fig. 4



*Fig. 5*