

US00D498783S

(12) **United States Design Patent**
Oota et al.

(10) **Patent No.:** **US D498,783 S**

(45) **Date of Patent:** **** Nov. 23, 2004**

(54) **PROJECTOR**

3,667,839 A * 6/1972 Artaud D16/229
D289,769 S * 5/1987 Geissler D16/229
6,231,191 B1 * 5/2001 Shiraishi et al. 353/119

(75) Inventors: **Yukihiko Oota**, Tokyo (JP); **Kiyotaka Fujita**, Tokyo (JP); **Takayuki Yoshimoto**, Tokyo (JP)

* cited by examiner

(73) Assignee: **NEC ViewTechnology, Ltd.**, Tokyo (JP)

Primary Examiner—Adir Aronovich
(74) *Attorney, Agent, or Firm*—Sughrue Mion, PLLC

(**) Term: **14 Years**

(57) **CLAIM**

(21) Appl. No.: **29/187,866**

The ornamental design for a projector, as shown and described.

(22) Filed: **Aug. 11, 2003**

DESCRIPTION

(30) **Foreign Application Priority Data**

Feb. 12, 2003 (JP) 2003-003190

FIG. 1 is a perspective view of the top, front and right side of a projector showing our new design;
FIG. 2 is a front elevational view thereof;
FIG. 3 is a rear elevational view thereof;
FIG. 4 is a left side elevational view thereof;
FIG. 5 is a right side elevational view thereof;
FIG. 6 is a top plan view thereof; and,
FIG. 7 is a bottom plan view thereof.

(51) **LOC (7) Cl.** **16-02**

(52) **U.S. Cl.** **D16/235; D16/225**

(58) **Field of Search** D16/205, 208,
D16/221, 225, 229, 230, 235, 236; D21/514;
353/115, 119, 122

The elements shown in broken lines are for illustrative purposes only and form no part of the claimed design.

(56) **References Cited**

U.S. PATENT DOCUMENTS

D215,969 S * 11/1969 Anderson D16/229

1 Claim, 4 Drawing Sheets

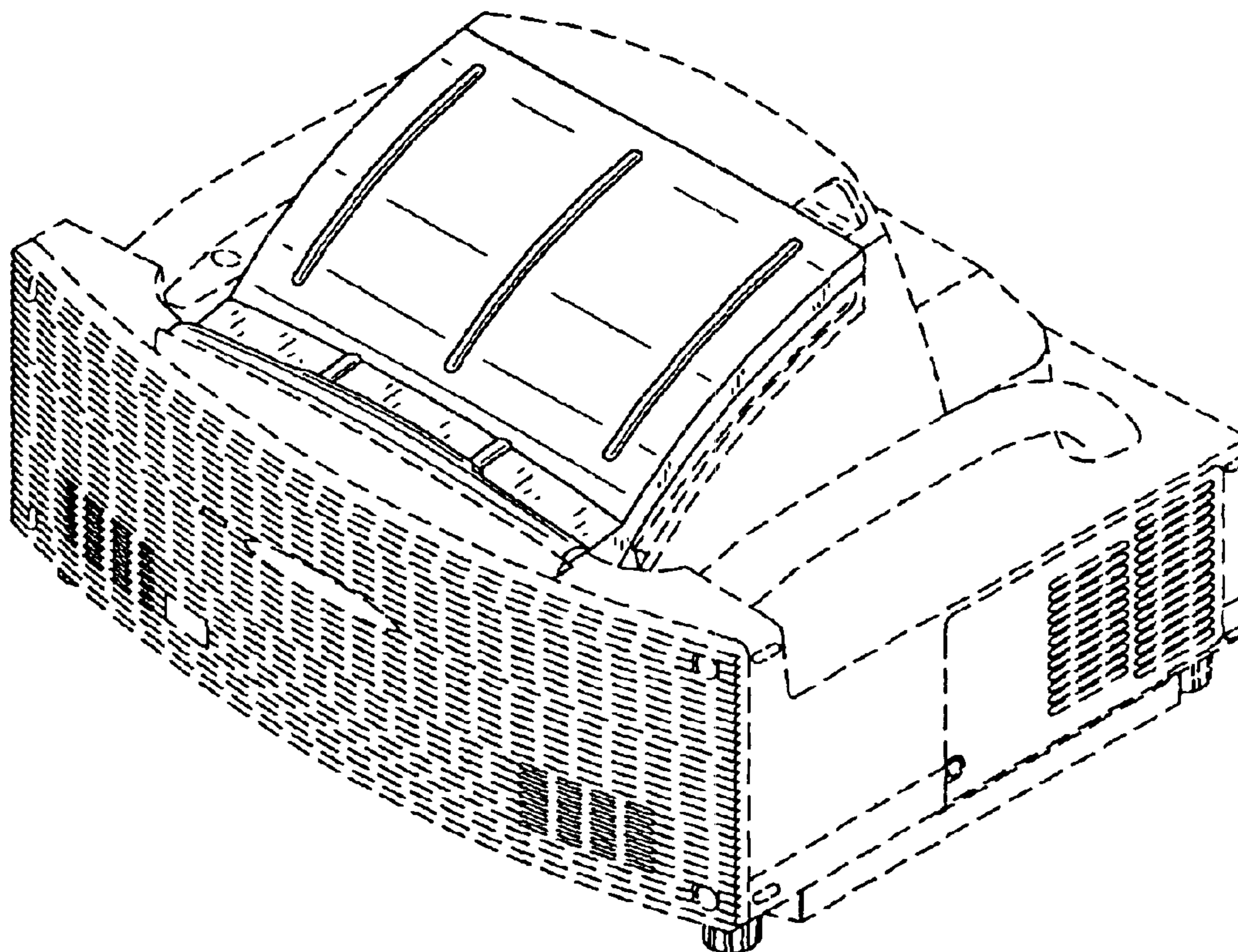


FIG. 1

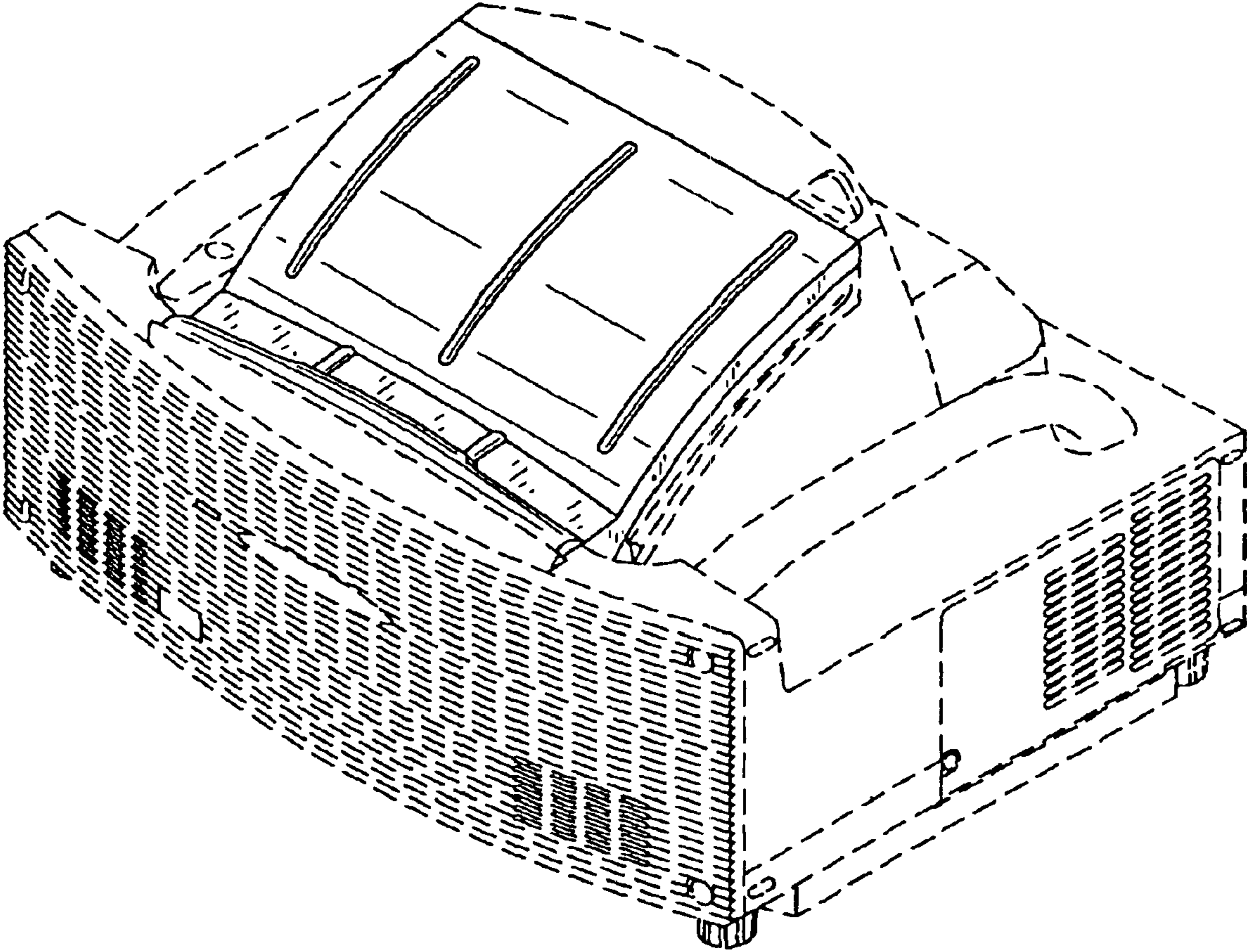


FIG. 2

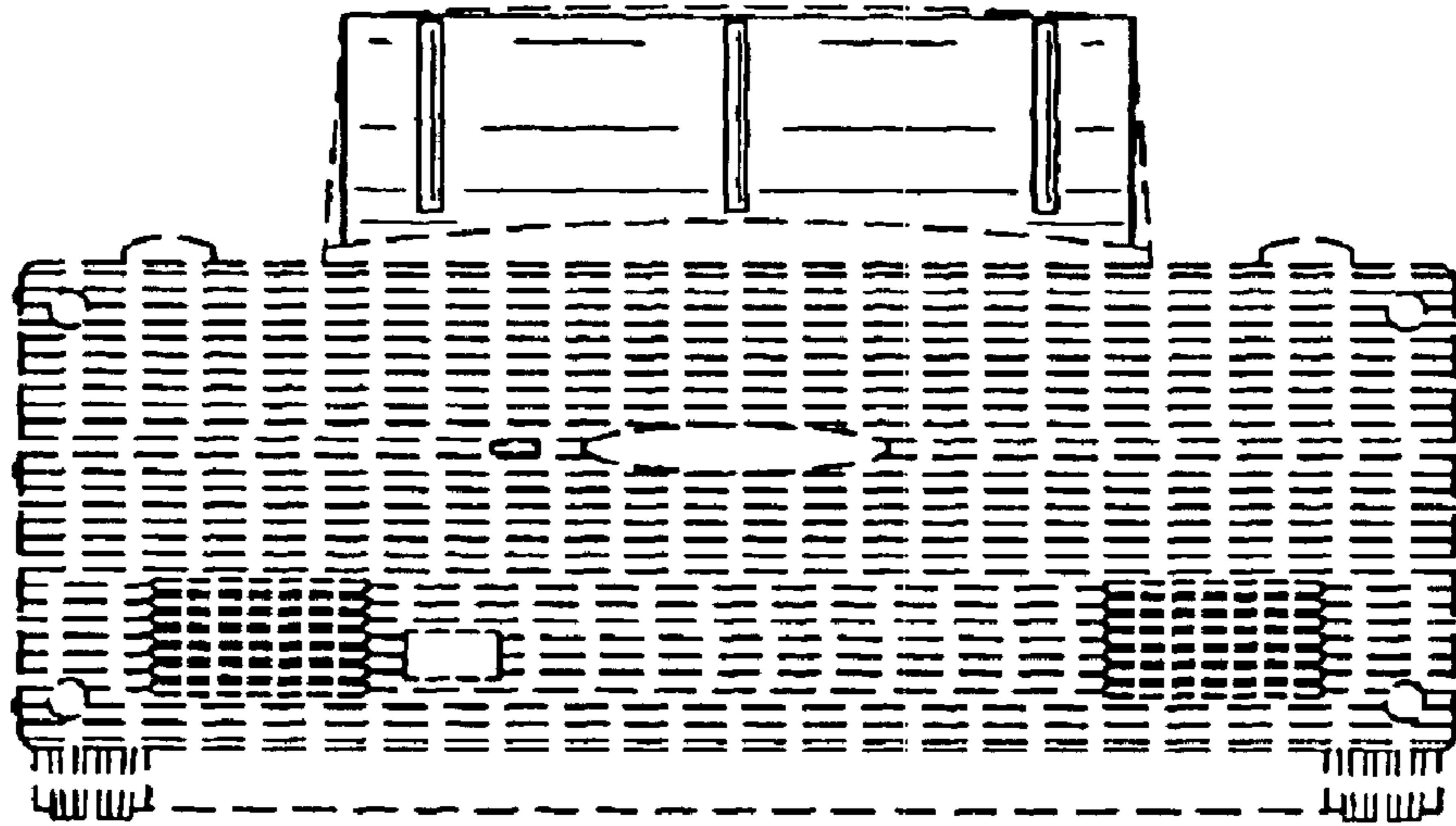


FIG. 3

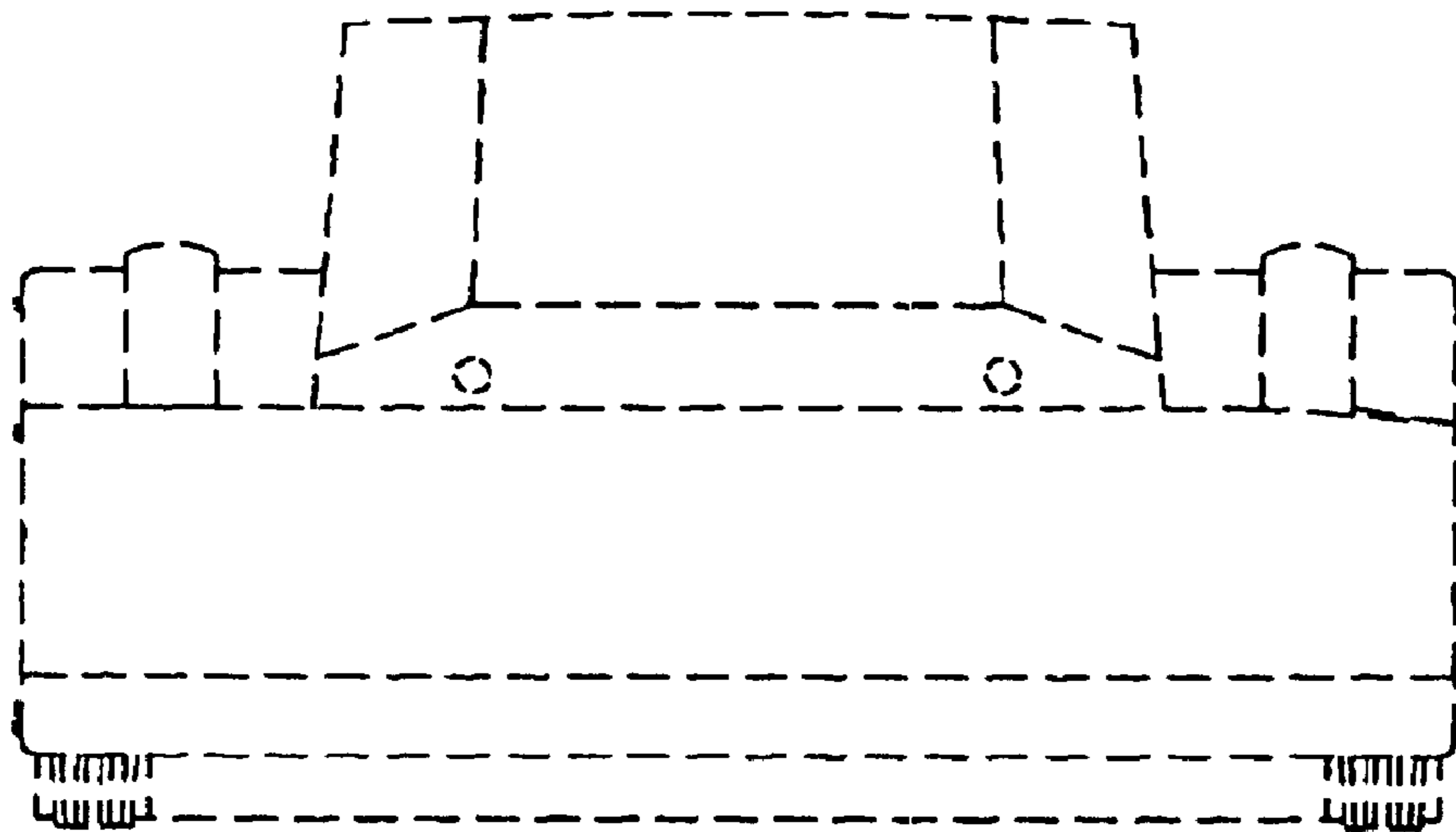


FIG. 4

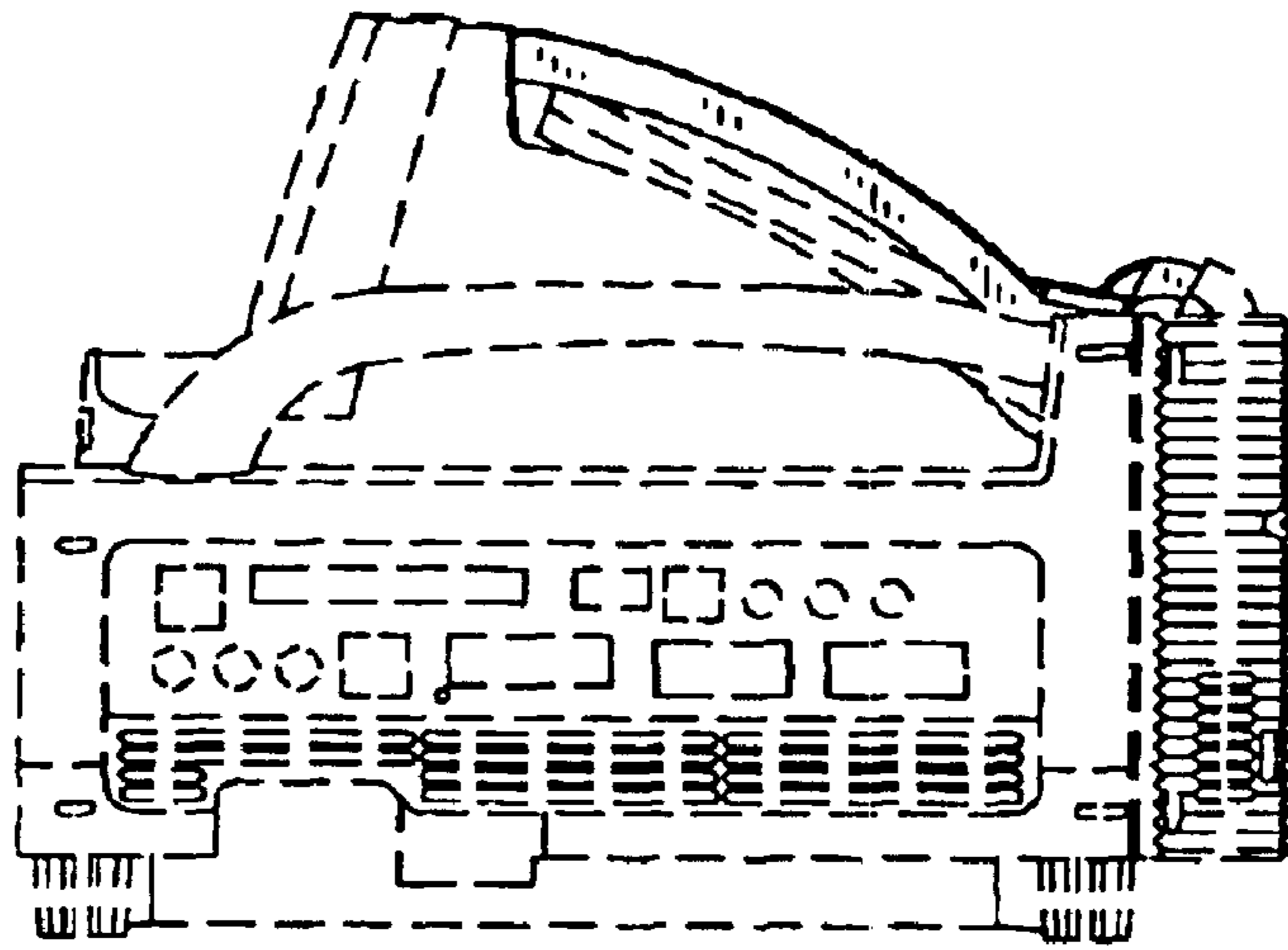


FIG. 5

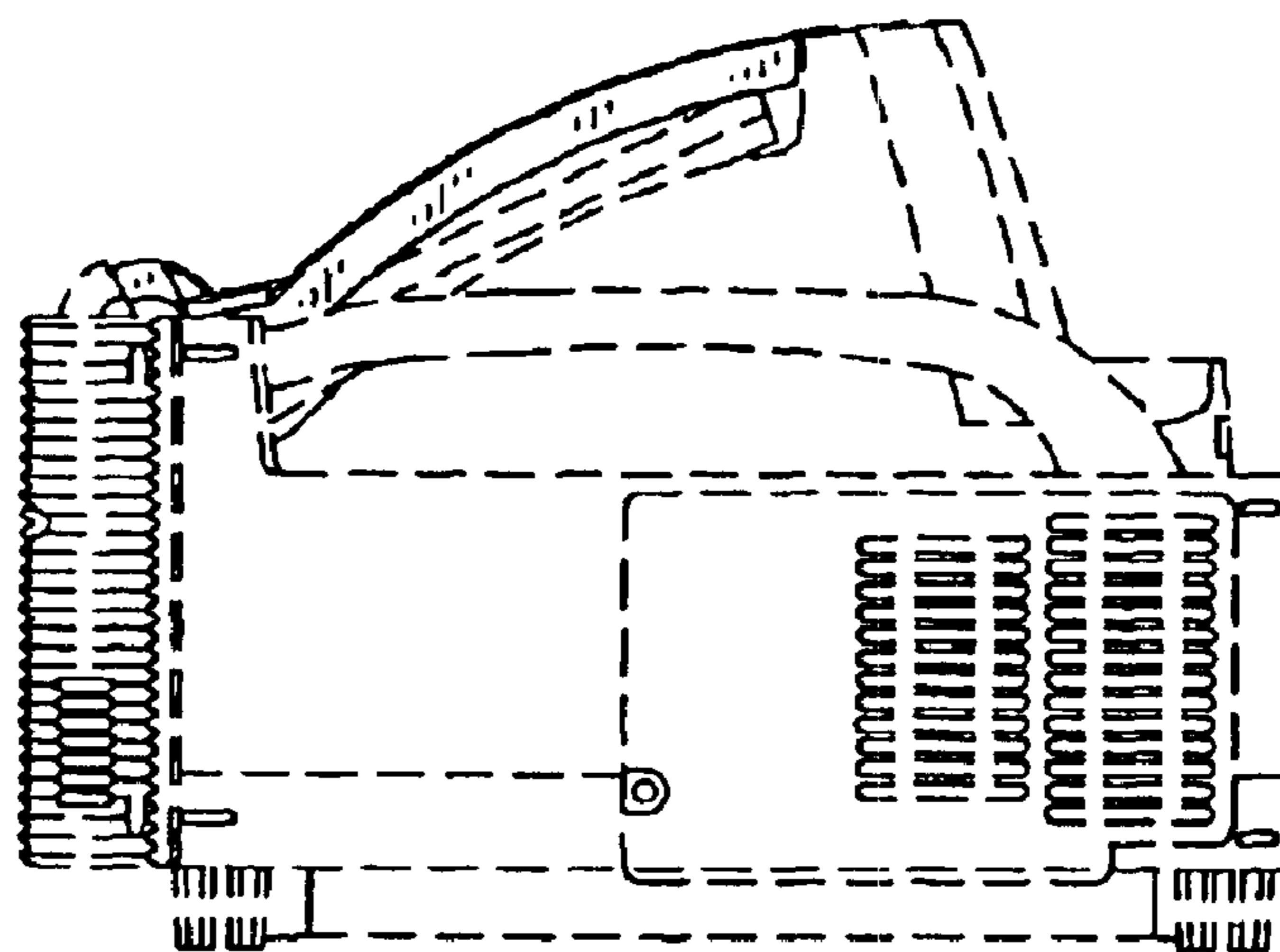


FIG. 6

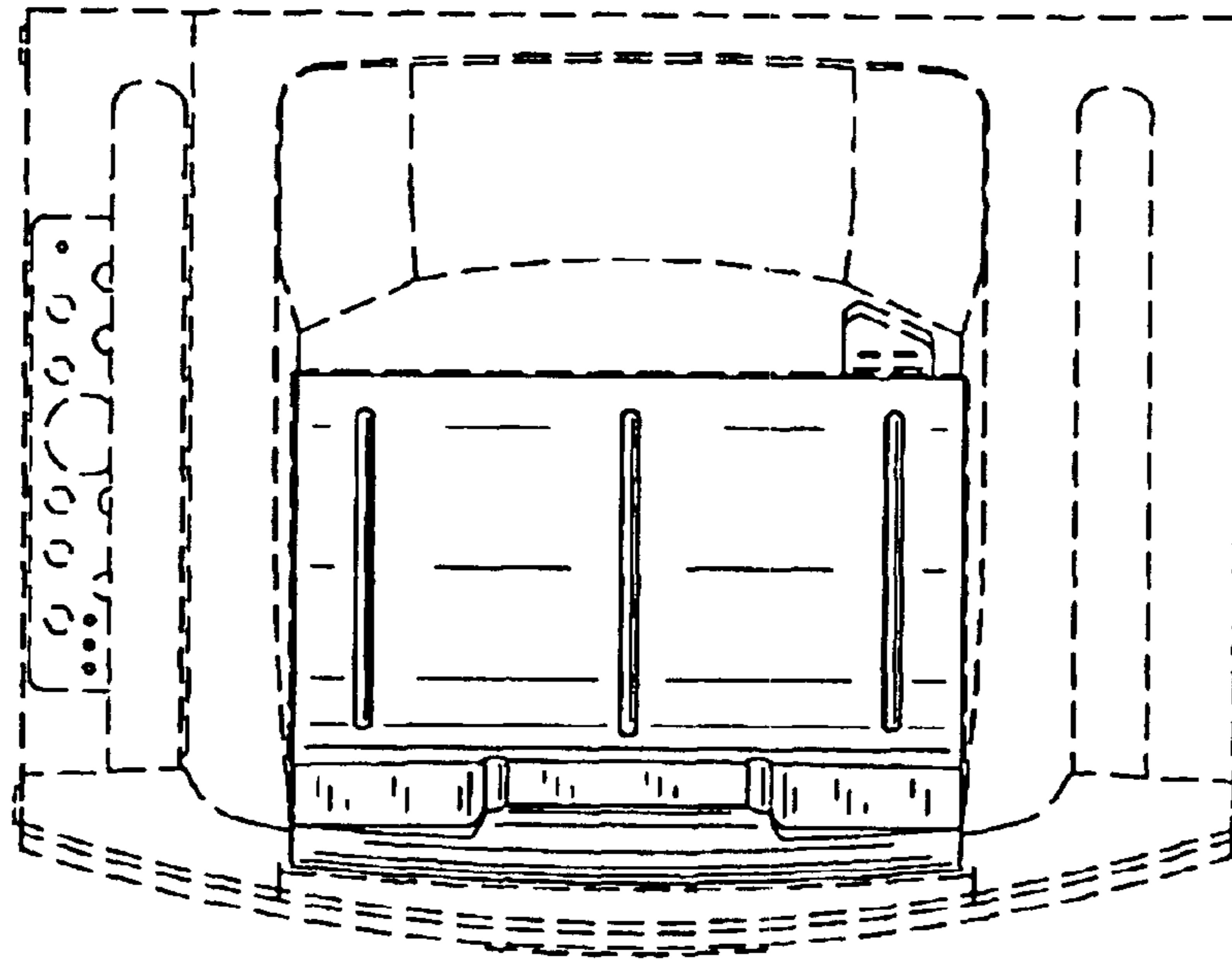


FIG. 7

