

US00D498782S

(12) **United States Design Patent**
Ooshima

(10) **Patent No.: US D498,782 S**

(45) **Date of Patent: ** Nov. 23, 2004**

(54) **CAMERA FOR LIQUID CRYSTAL PROJECTOR**

(75) Inventor: **Jun Ooshima, Ota-ku (JP)**
(73) Assignee: **Kabushiki Kaisha Toshiba (JP)**
(**) Term: **14 Years**

(21) Appl. No.: **29/187,334**
(22) Filed: **Jul. 31, 2003**

(30) **Foreign Application Priority Data**

May 26, 2003 (JP) 2003-014591

(51) **LOC (7) Cl. 16-02**
(52) **U.S. Cl. D16/235; D16/229; D16/232**
(58) **Field of Search D16/205, 208, D16/221, 225, 229, 230, 232, 235, DIG. 4; D14/423; 353/119, 122**

(56) **References Cited**

U.S. PATENT DOCUMENTS

4,969,733 A * 11/1990 Jewison 353/119
D322,264 S 12/1991 Jewison
5,245,370 A 9/1993 Peterson
D344,533 S 2/1994 Hasegawa
D349,715 S 8/1994 Darland
5,374,969 A 12/1994 Kyhl et al.
5,382,991 A 1/1995 Rodriguez et al.
D397,709 S * 9/1998 Park et al. D16/232
D425,098 S * 5/2000 Oh D16/232
D436,612 S * 1/2001 Geng D16/232

D476,008 S * 6/2003 Adachi et al. D14/423
D482,382 S * 11/2003 Kurokawa D16/235

FOREIGN PATENT DOCUMENTS

JP 882576 11/1993

* cited by examiner

Primary Examiner—Adir Aronovich

(74) *Attorney, Agent, or Firm*—Banner & Witcoff, Ltd.

(57) **CLAIM**

The ornamental design for a camera for liquid crystal projector, as shown and described.

DESCRIPTION

FIG. 1 is a top, front and left side perspective view of a camera for liquid crystal projector showing my new design, FIG. 2 is a front elevational view thereof, FIG. 3 is a left side elevational view thereof, FIG. 4 is a right side elevational view thereof, FIG. 5 is a rear elevational view thereof, FIG. 6 is a bottom plan view thereof, FIG. 7 is a top, front and left side perspective view in a reduced size showing the article with an arm and a stand in a moved position thereof, FIG. 8 is a top plan view thereof, and; FIG. 9 is a reference view showing the article in use thereof. The broken line showing of a projector portion in FIG. 9 is for illustrative purposes only and forms no part of the claimed design.

1 Claim, 5 Drawing Sheets

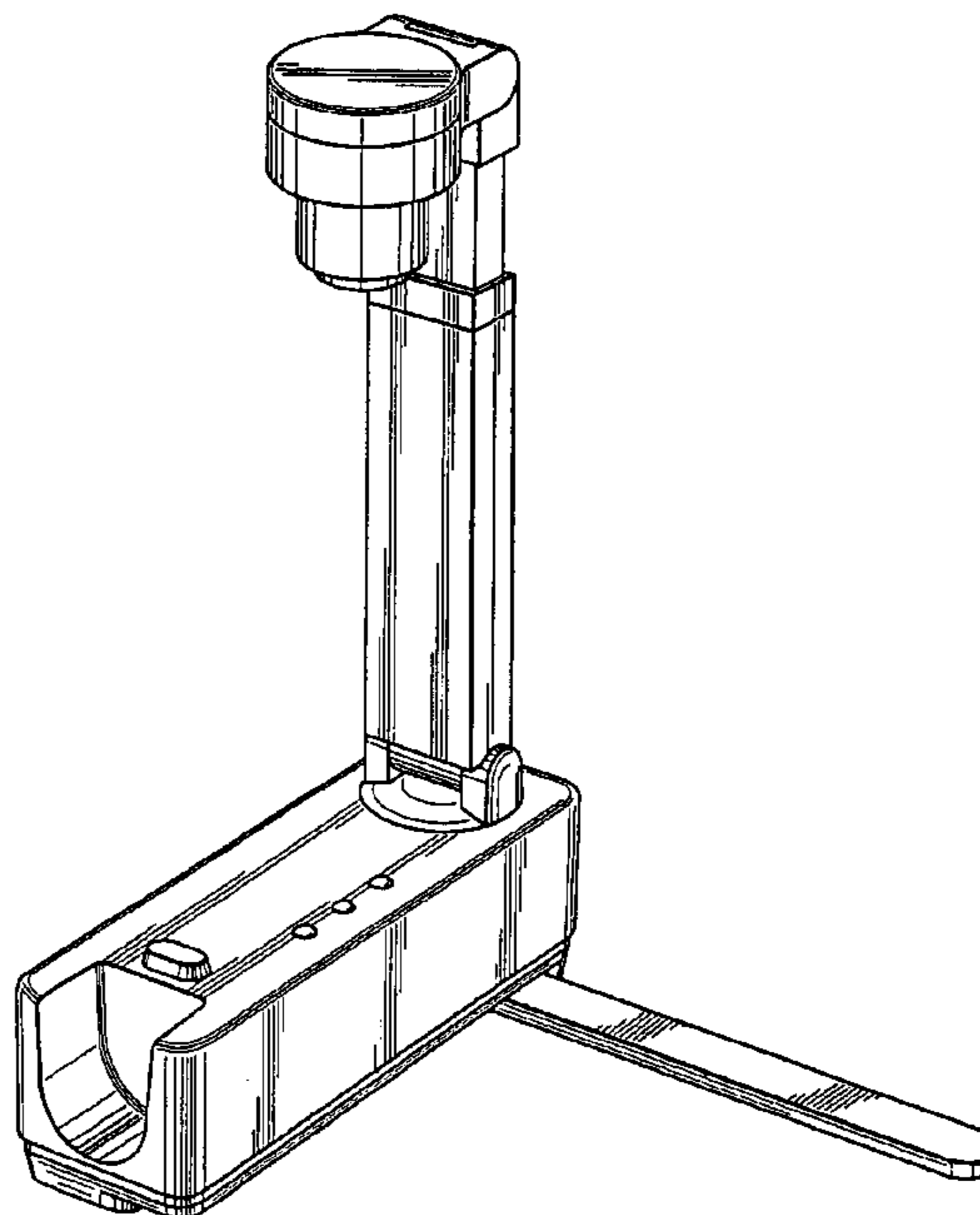
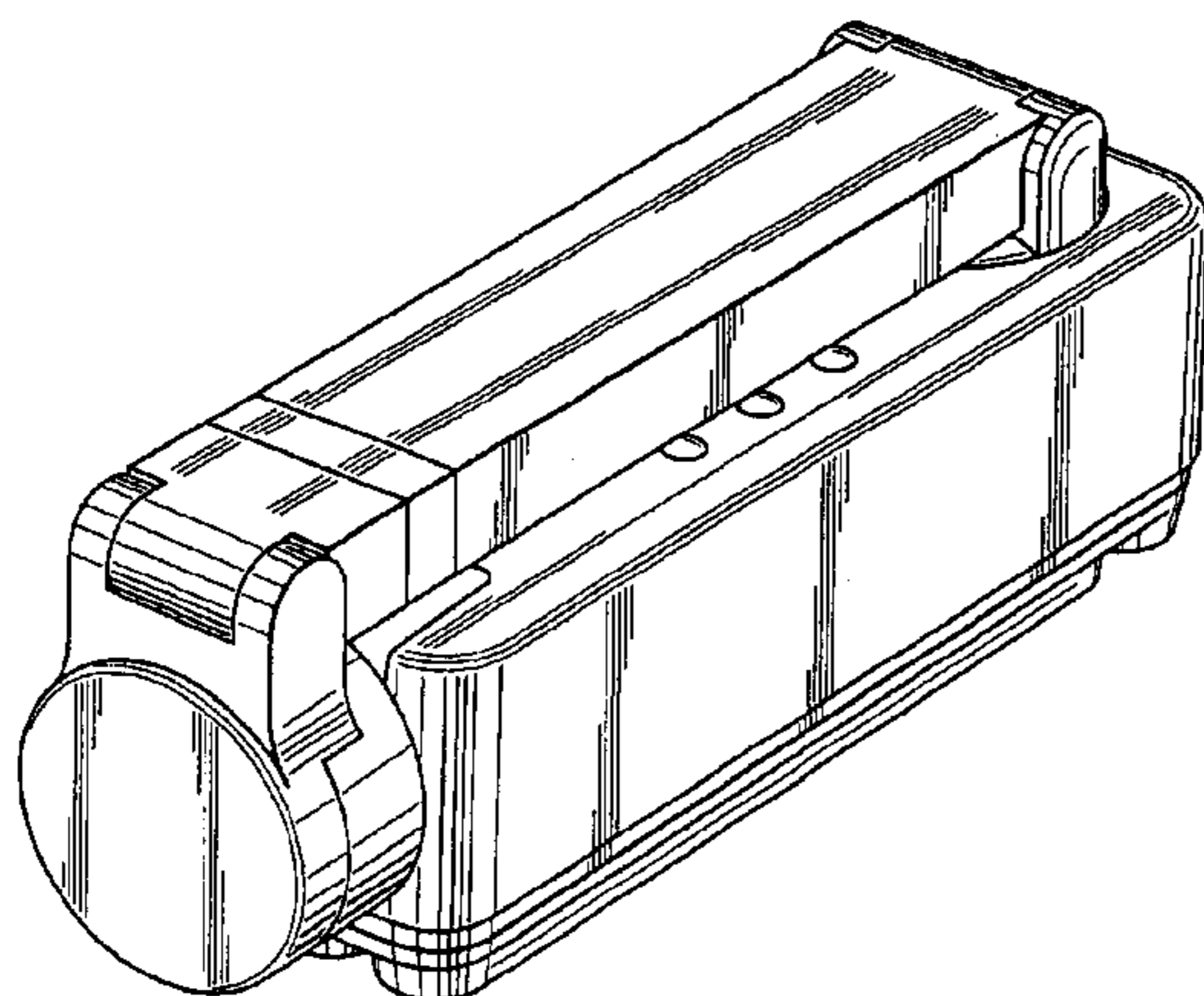


FIG. 1

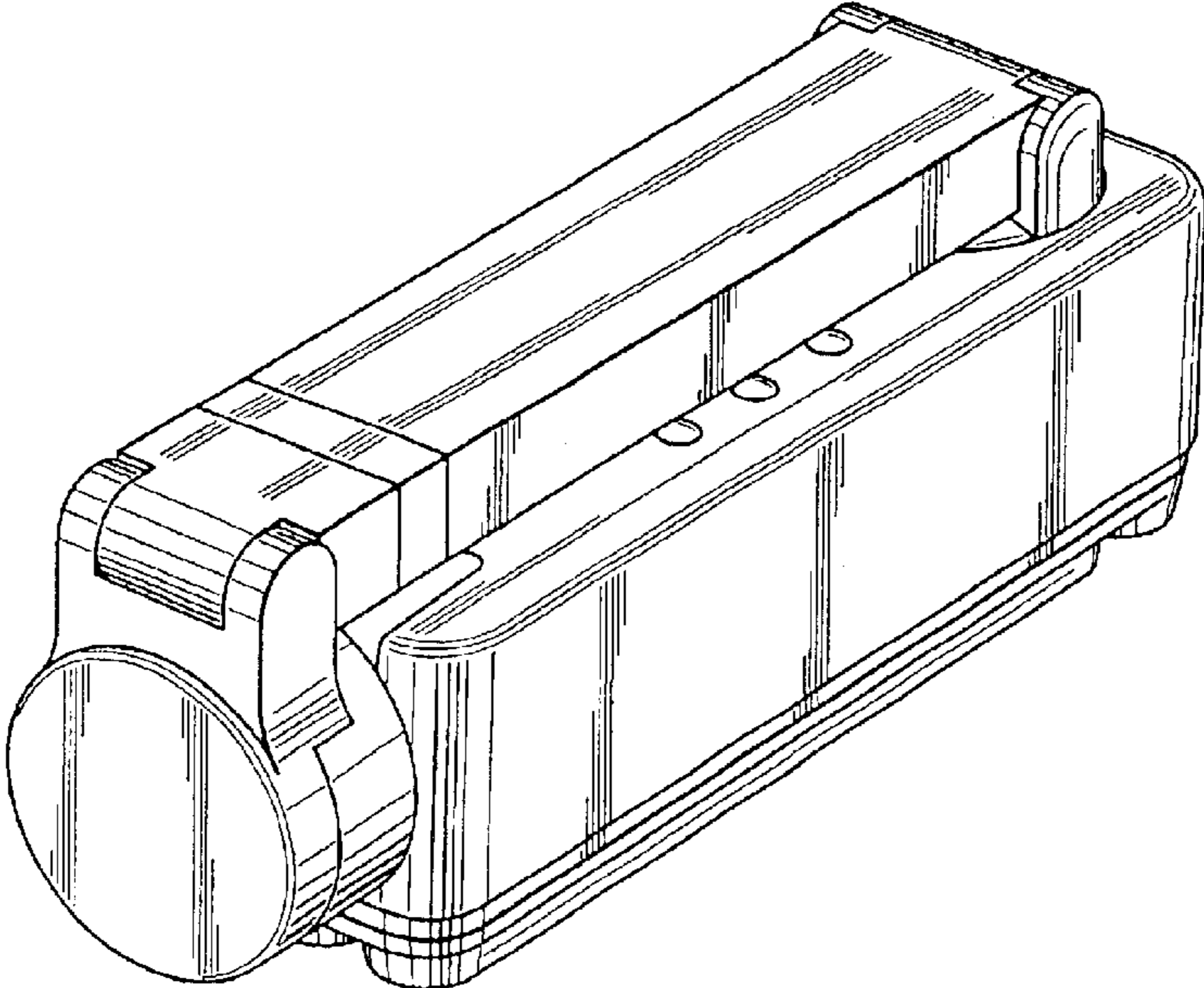


FIG. 2

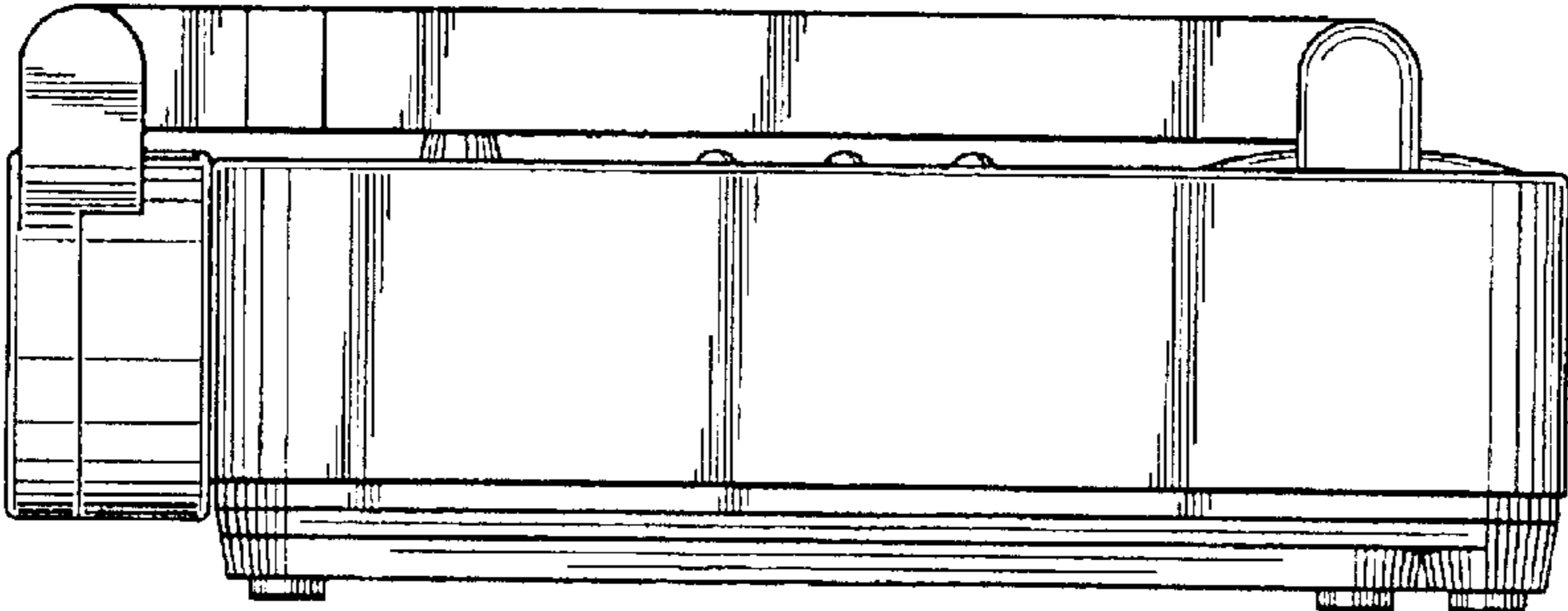


FIG. 3

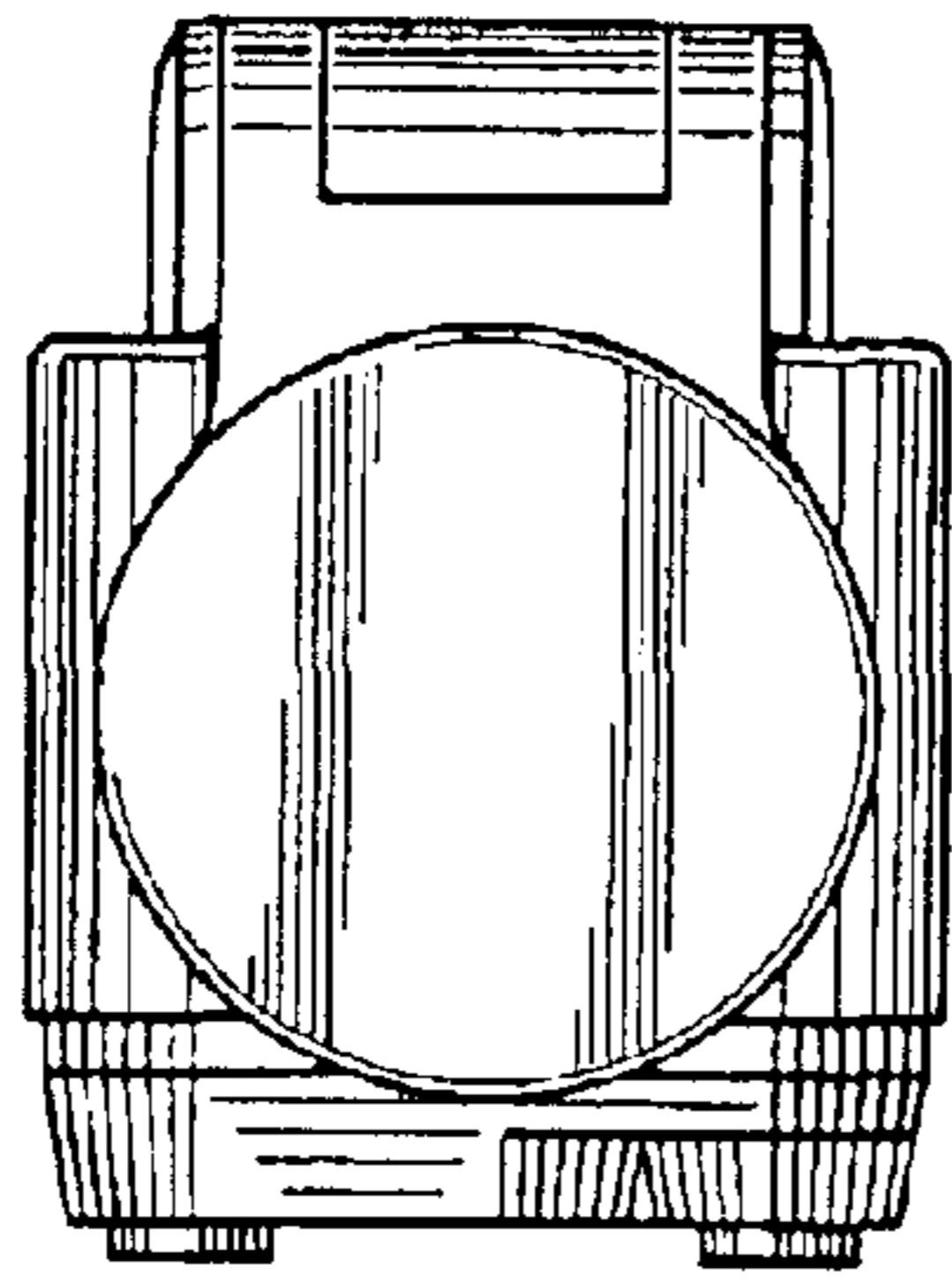


FIG. 4

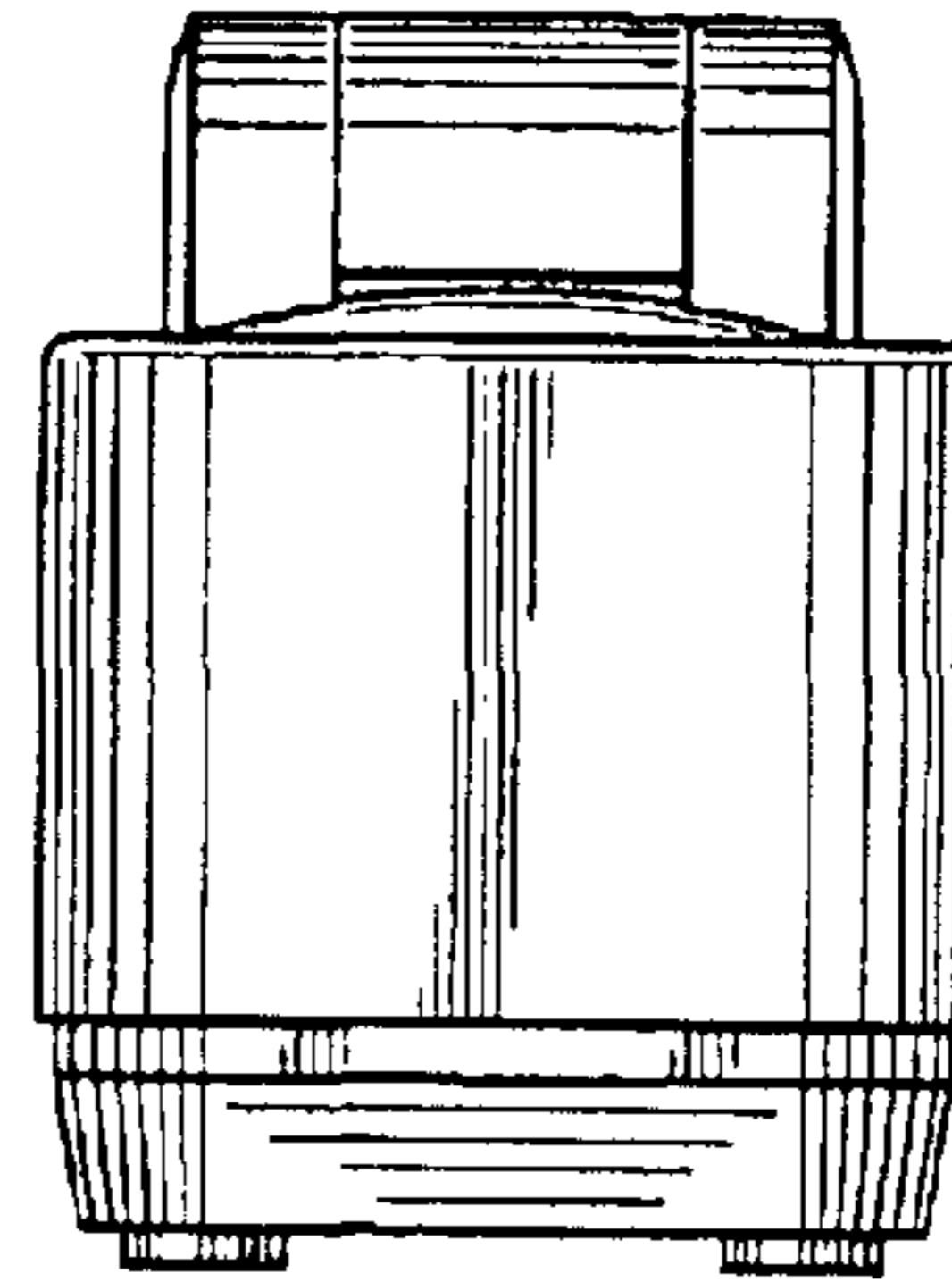


FIG. 5

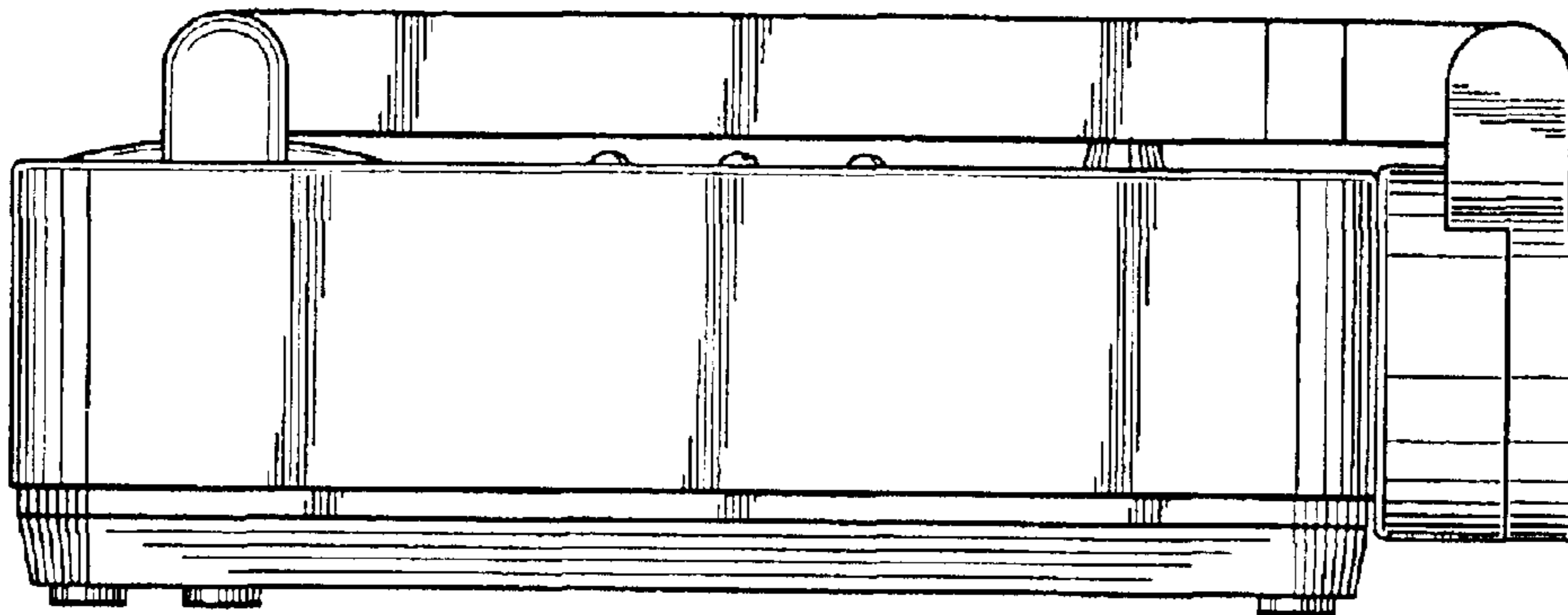


FIG. 6

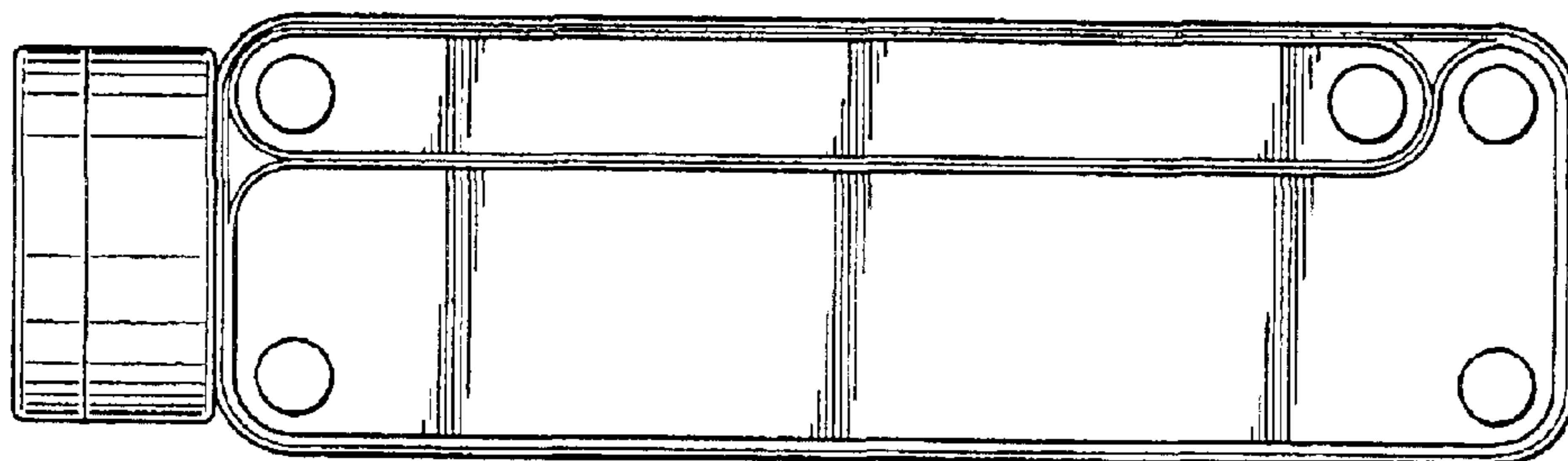


FIG. 7

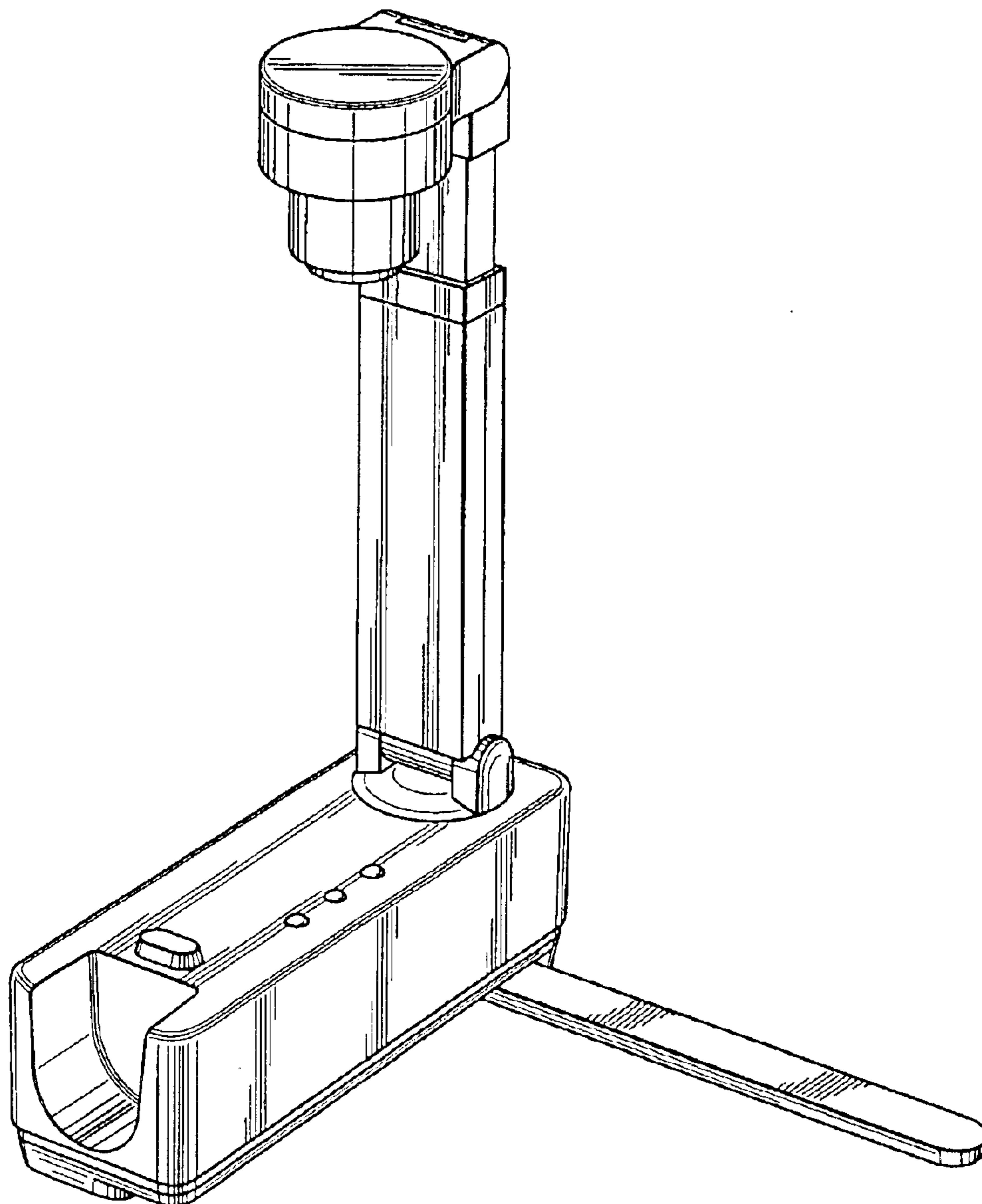


FIG. 8

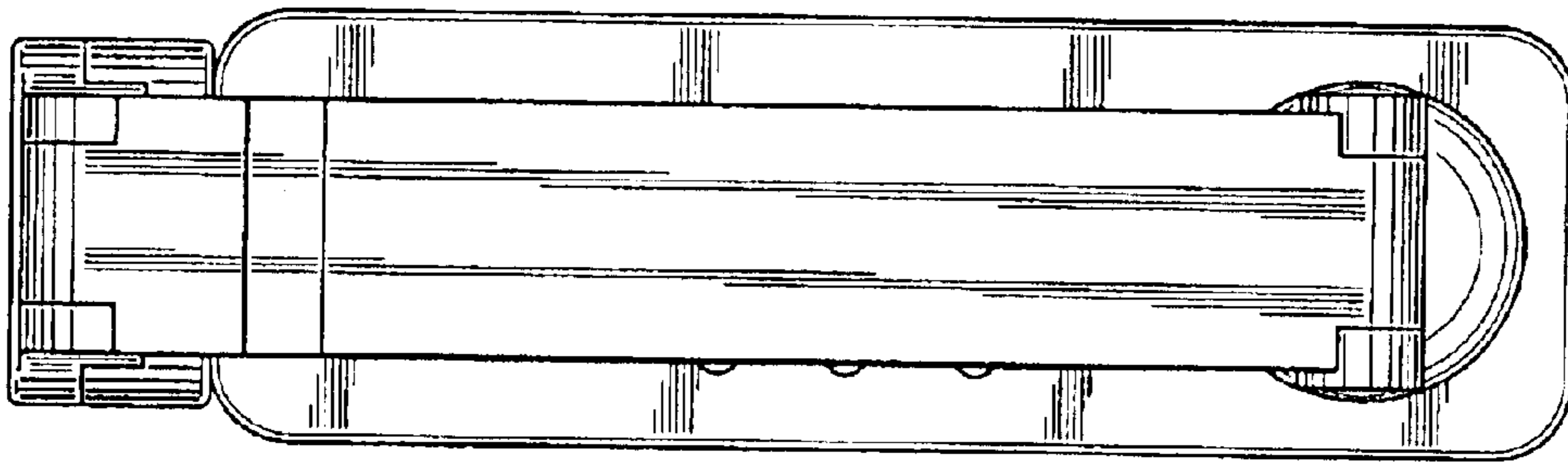


FIG. 9

