



US00D498780S

(12) **United States Design Patent**
Su et al.

(10) **Patent No.:** **US D498,780 S**

(45) **Date of Patent:** **** Nov. 23, 2004**

(54) **DIGITAL VIDEO CAMERA**

(75) **Inventors:** **Jone Su, ChuPei (TW); Yi-Li Chen, Hsinchu (TW); Chang-Chin Chen, ChuPei (TW)**

(73) **Assignee:** **Aiptek International Inc., Hsinchu (TW)**

(**) **Term:** **14 Years**

(21) **Appl. No.:** **29/191,321**

(22) **Filed:** **Oct. 7, 2003**

(51) **LOC (7) Cl.** **16-01**

(52) **U.S. Cl.** **D16/202**

(58) **Field of Search** D16/200-206,
D16/208, 218; 348/373-376; 358/906; 396/535-541

(56) **References Cited**

U.S. PATENT DOCUMENTS

5,739,859 A * 4/1998 Hattori et al. 348/375
D401,256 S * 11/1998 Harata D16/202

D413,911 S * 9/1999 Goto et al. D16/202
D414,195 S * 9/1999 Shiozaki et al. D16/202
D467,601 S * 12/2002 Kojima et al. D16/202
D491,967 S * 6/2004 Kojima et al. D16/202

* cited by examiner

Primary Examiner—Adir Aronovich

(74) *Attorney, Agent, or Firm*—Troxell Law Office PLLC

(57) **CLAIM**

The ornamental design for a digital video camera, as shown and described.

DESCRIPTION

FIG. 1 is a perspective view of a digital video camera showing my design;

FIG. 2 is a front elevational view thereof;

FIG. 3 is a rear elevational view thereof;

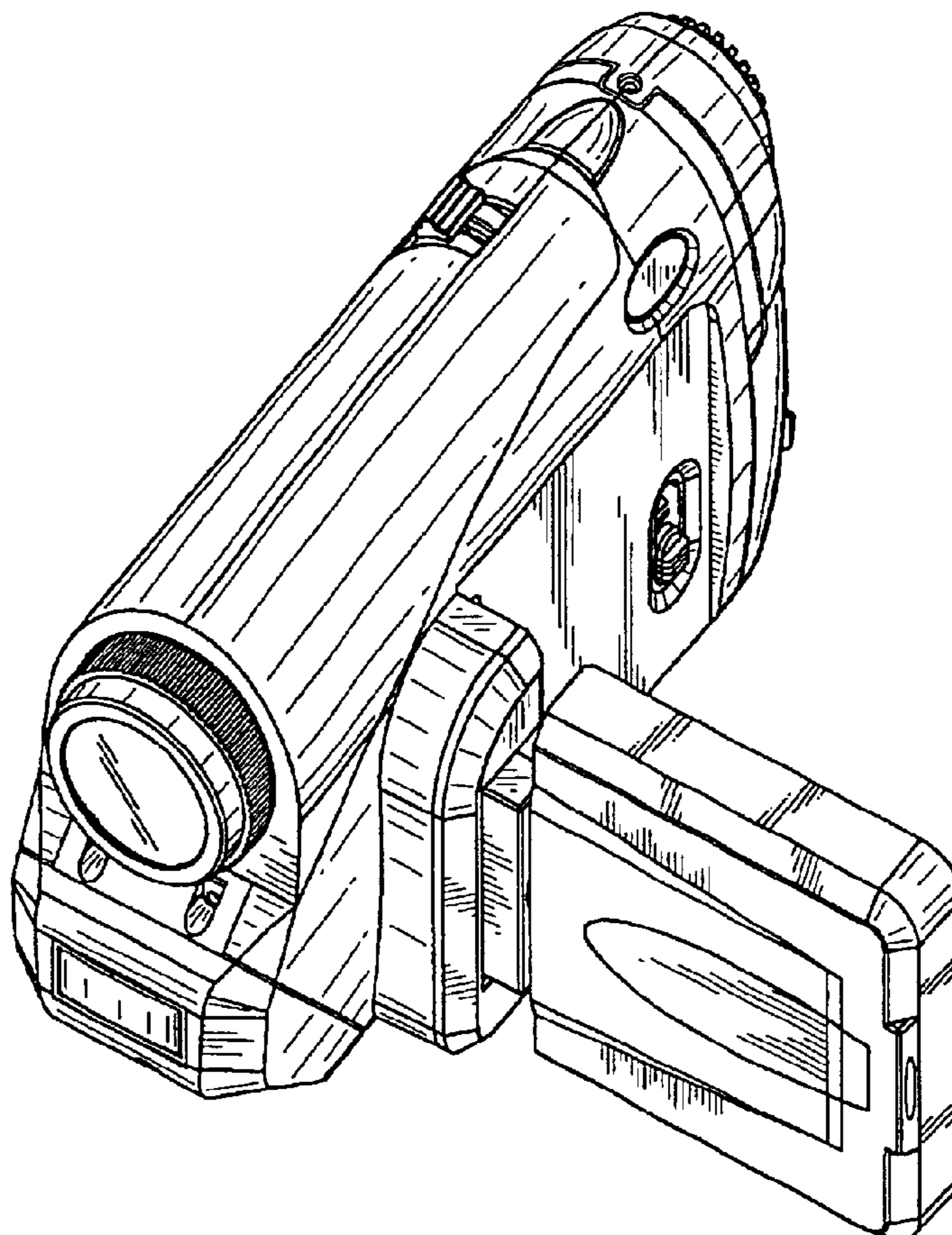
FIG. 4 is a left side elevational view thereof;

FIG. 5 is a right side elevational view thereof;

FIG. 6 is a bottom plan view thereof; and,

FIG. 7 is a top plan view thereof.

1 Claim, 4 Drawing Sheets



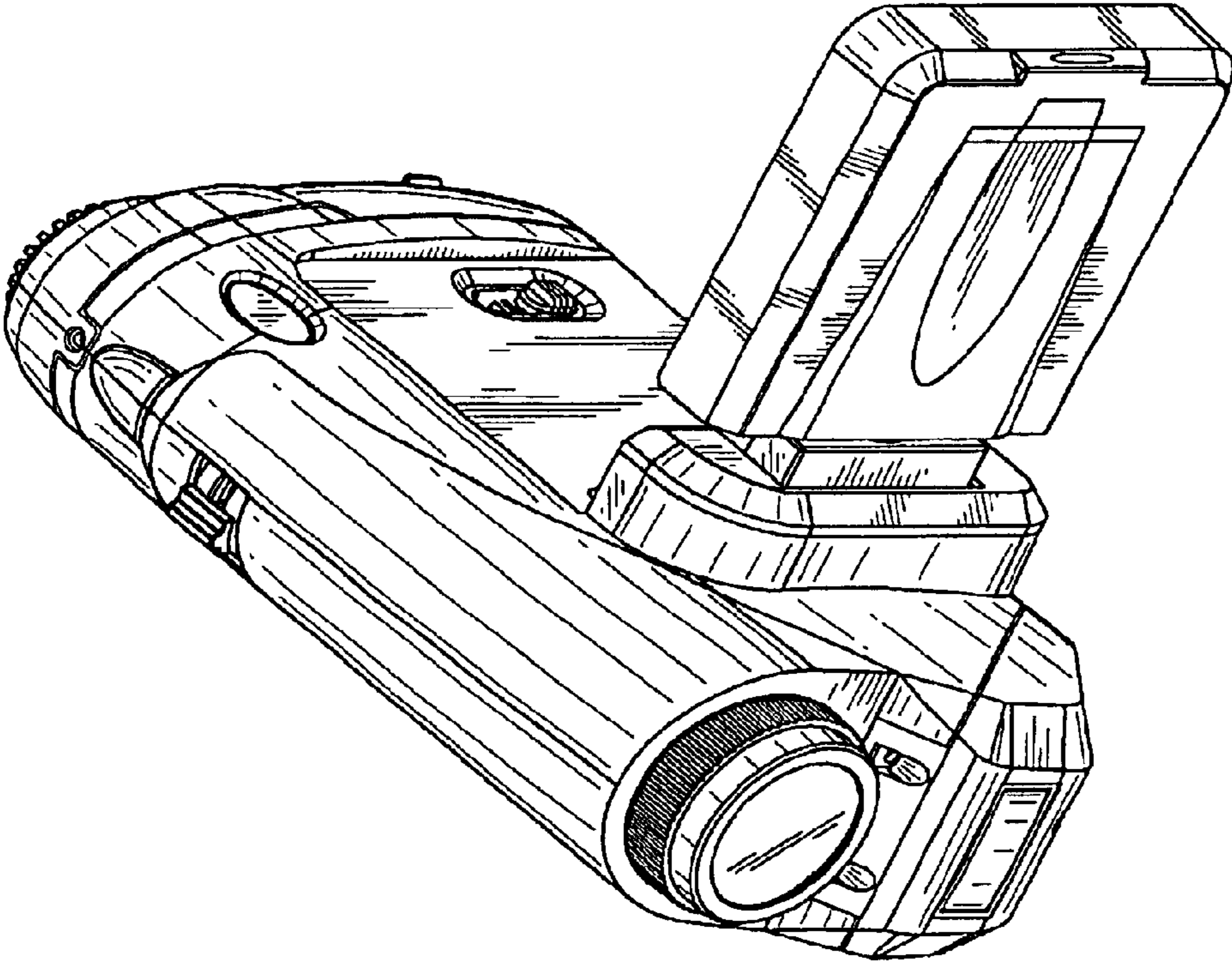


FIG. 1

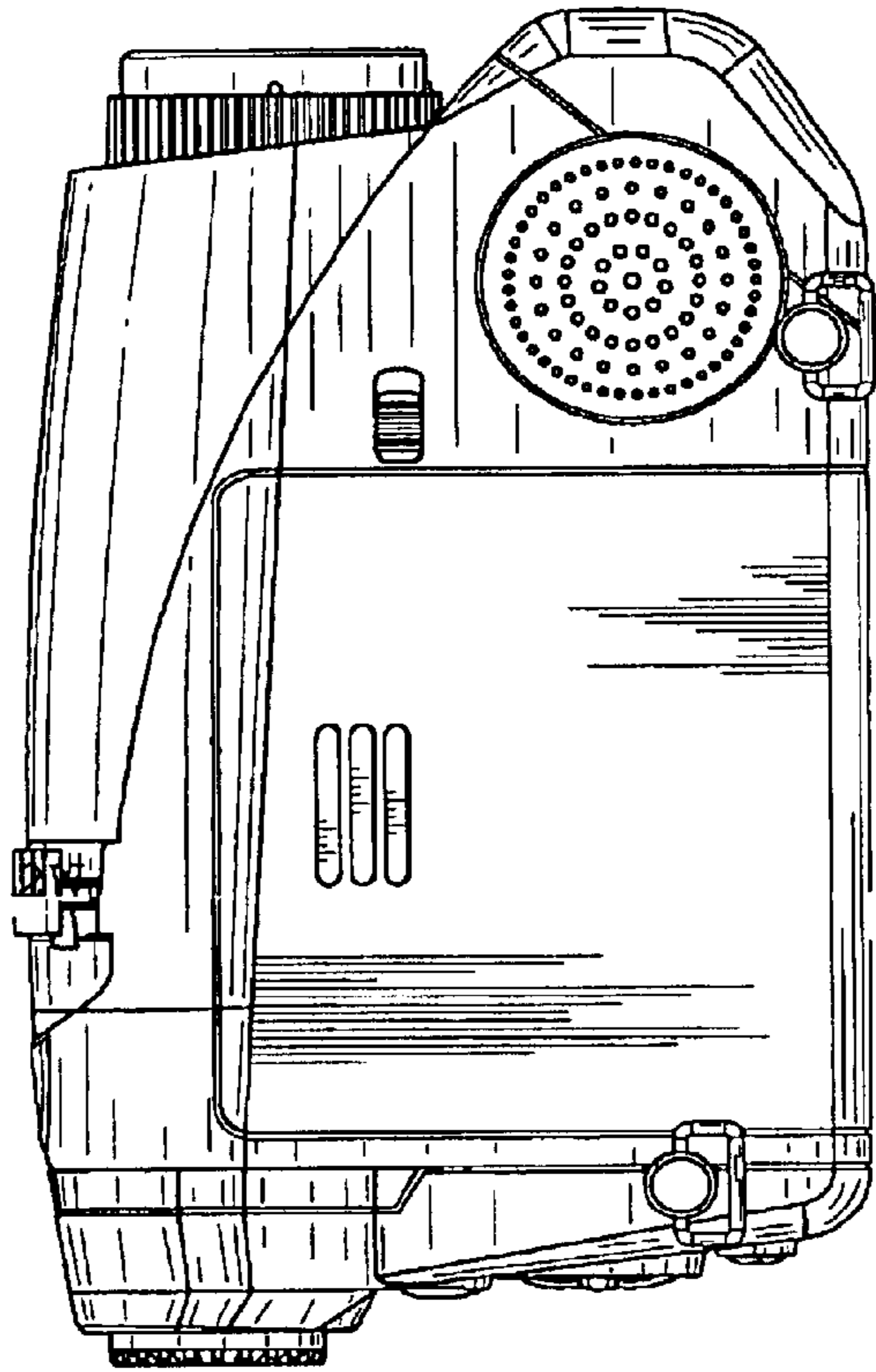


FIG. 3

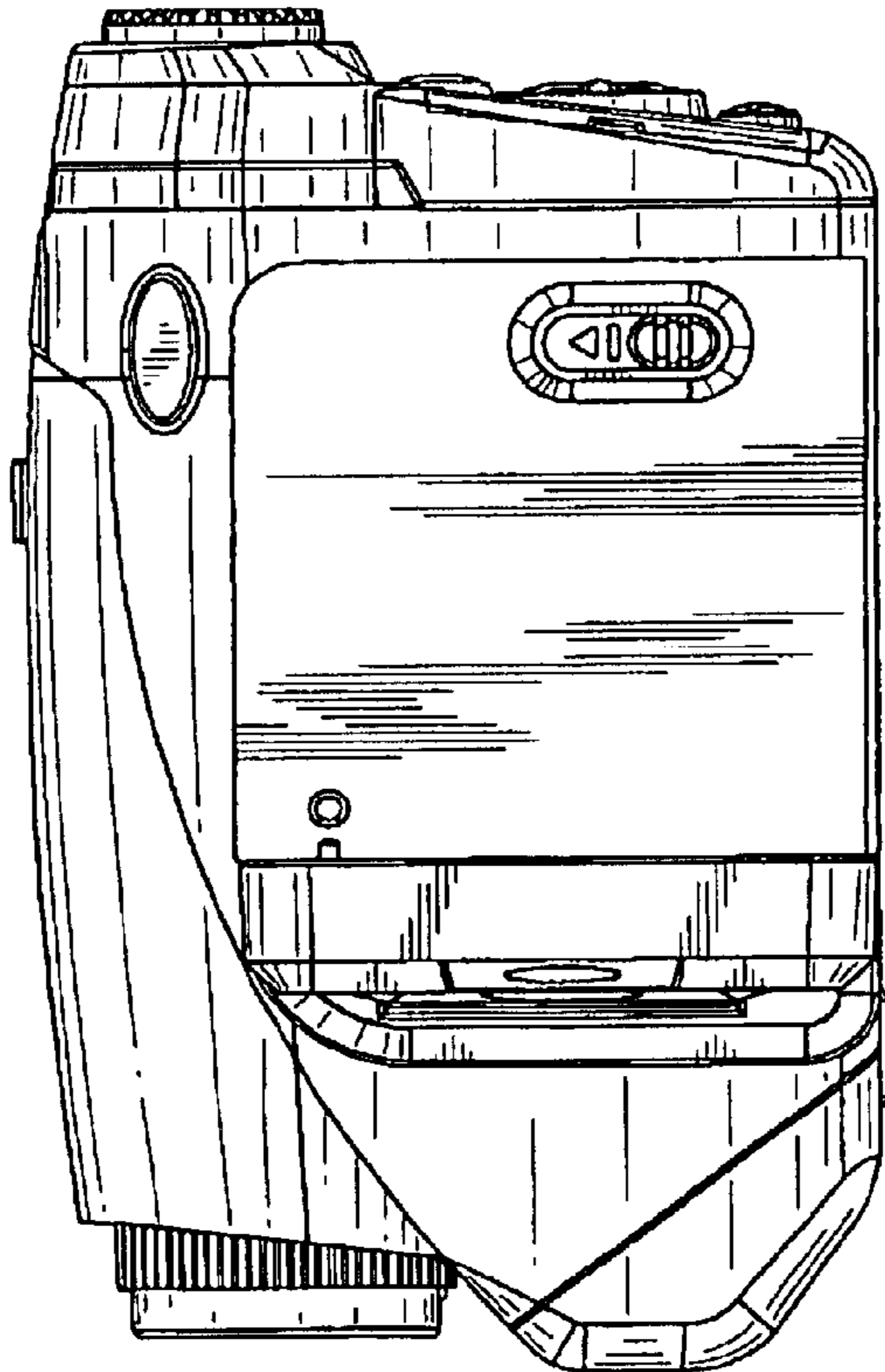


FIG. 2

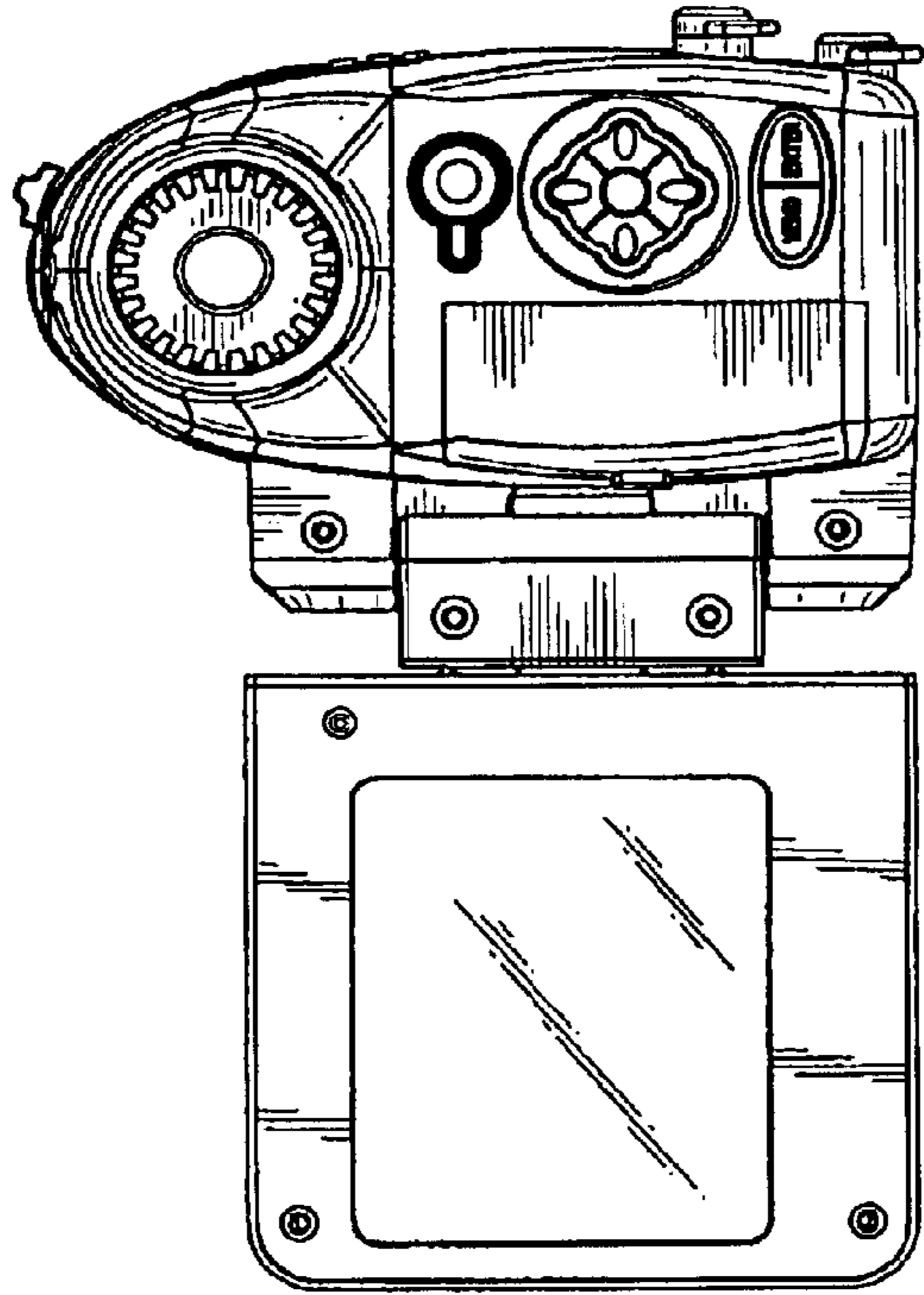


FIG. 5

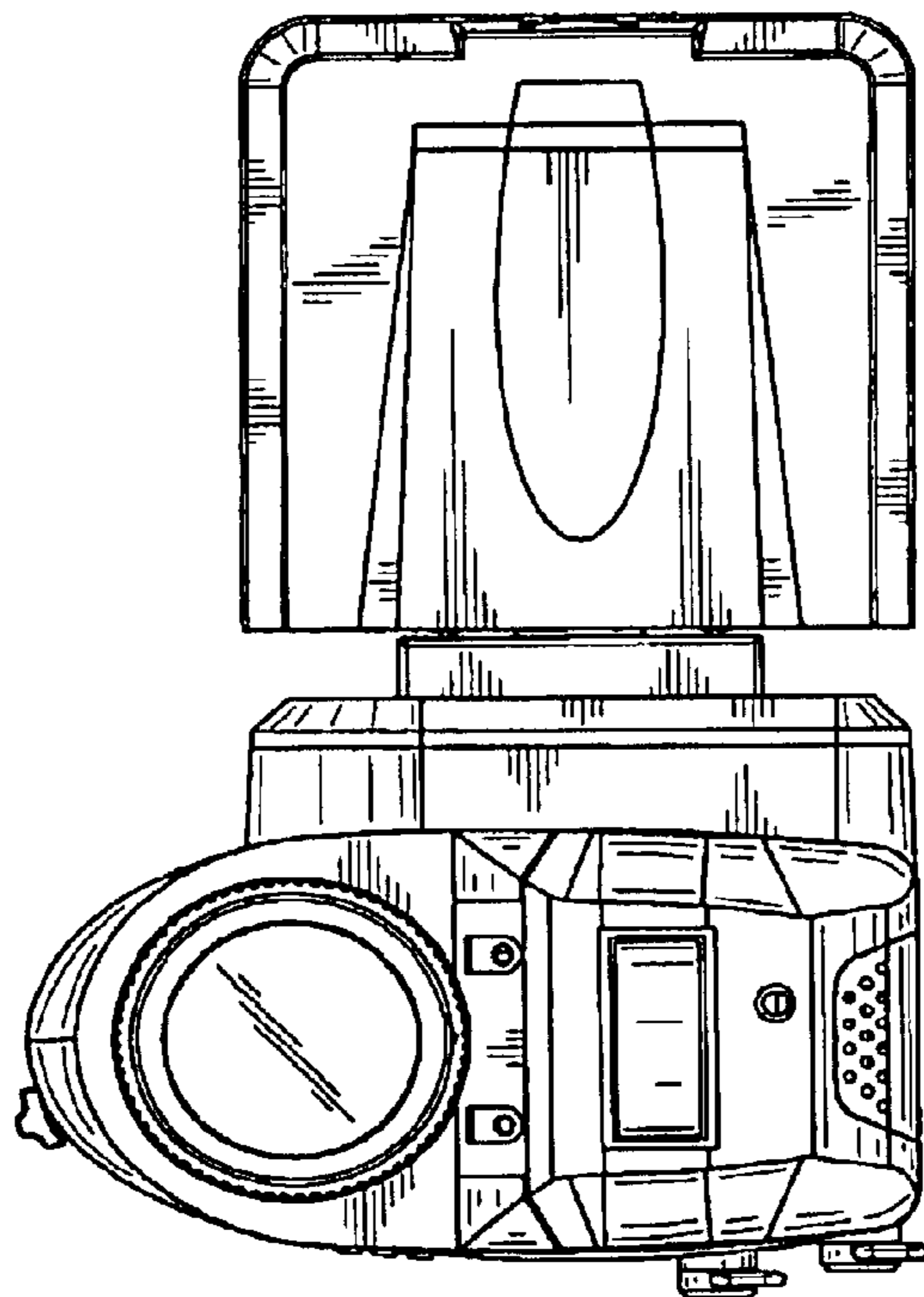


FIG. 4

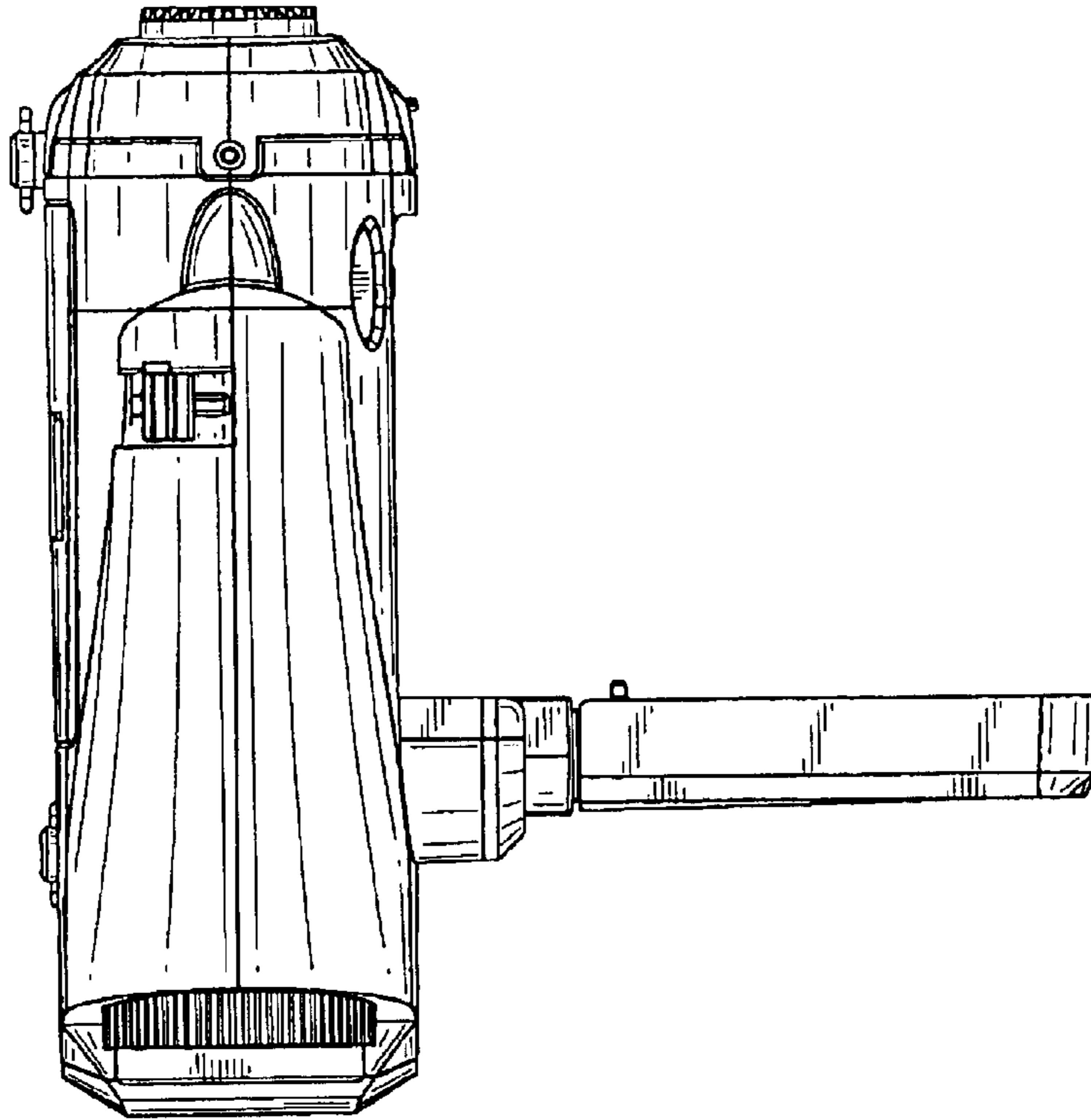


FIG. 7

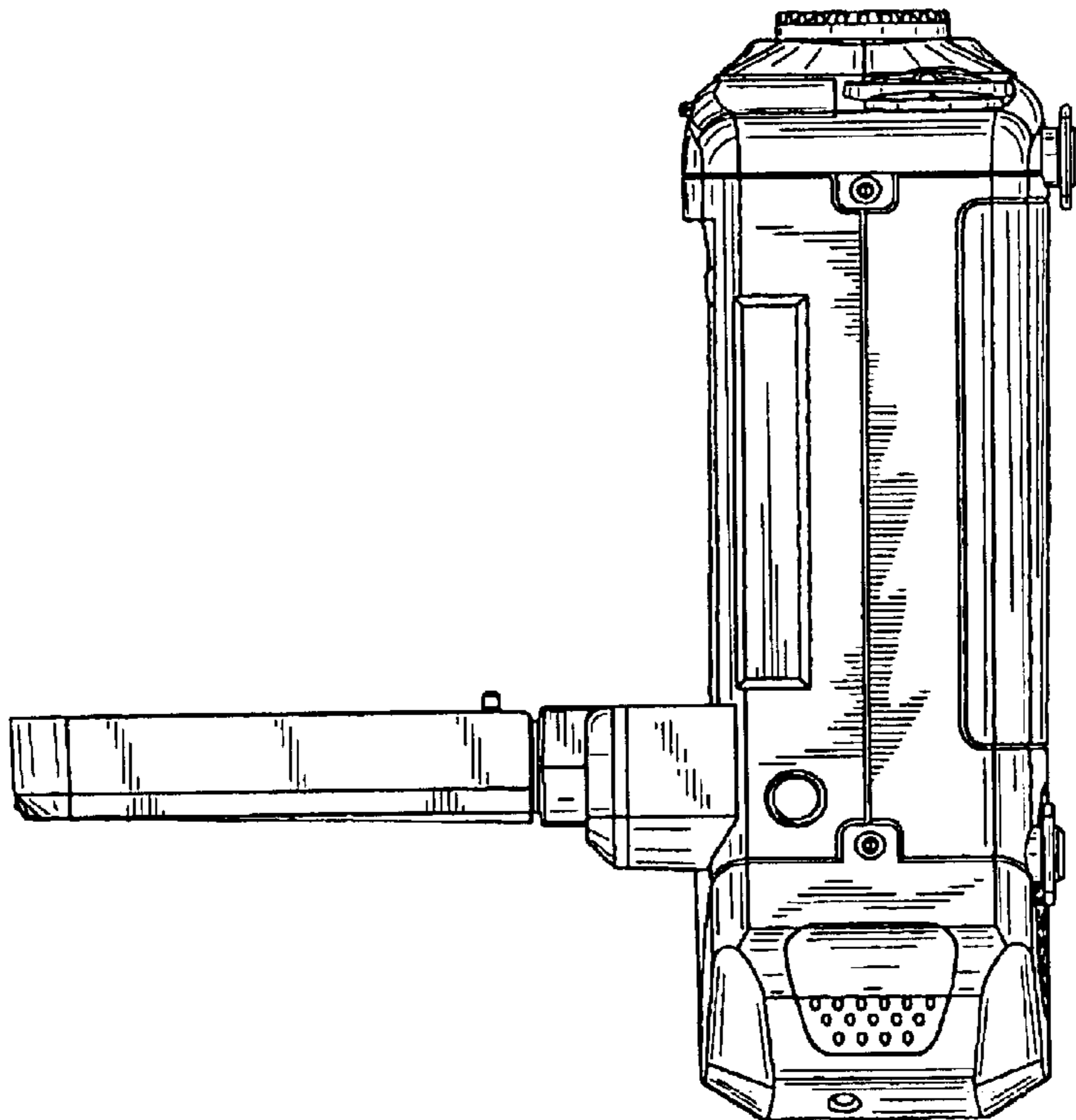


FIG. 6