

US00D498779S

(12) **United States Design Patent**  
**Messiou**

(10) **Patent No.:** **US D498,779 S**

(45) **Date of Patent:** **\*\* Nov. 23, 2004**

(54) **VIEWING AID**

(76) **Inventor:** **Antoine Yvon Messiou**, 526 Braunstone Lane, Leicester (GB), LE3 3DH

(\*\*) **Term:** **14 Years**

(21) **Appl. No.:** **29/189,500**

(22) **Filed:** **Sep. 6, 2003**

(30) **Foreign Application Priority Data**

Mar. 13, 2003 (GB) ..... 3011604

(51) **LOC (7) Cl.** ..... **16-06**

(52) **U.S. Cl.** ..... **D16/135; D16/130**

(58) **Field of Search** ..... D16/130, 135;  
D20/22; 359/808, 810, 811, 819, 457-464;  
273/288, 269

(56) **References Cited**

**U.S. PATENT DOCUMENTS**

2,510,344 A	*	6/1950	Law	.....	359/457
D243,394 S	*	2/1977	Nerad et al.	.....	D16/135
4,871,233 A	*	10/1989	Sheiman	.....	359/464
4,949,978 A	*	8/1990	Berner	.....	273/288

5,982,565 A	*	11/1999	Nomura et al.	.....	359/819
D440,998 S	*	4/2001	Andrews	.....	D16/135
D441,383 S	*	5/2001	Andrews	.....	D16/135

\* cited by examiner

*Primary Examiner*—Paula A. Greene

(57) **CLAIM**

The ornamental design for a viewing aid, as shown and described.

**DESCRIPTION**

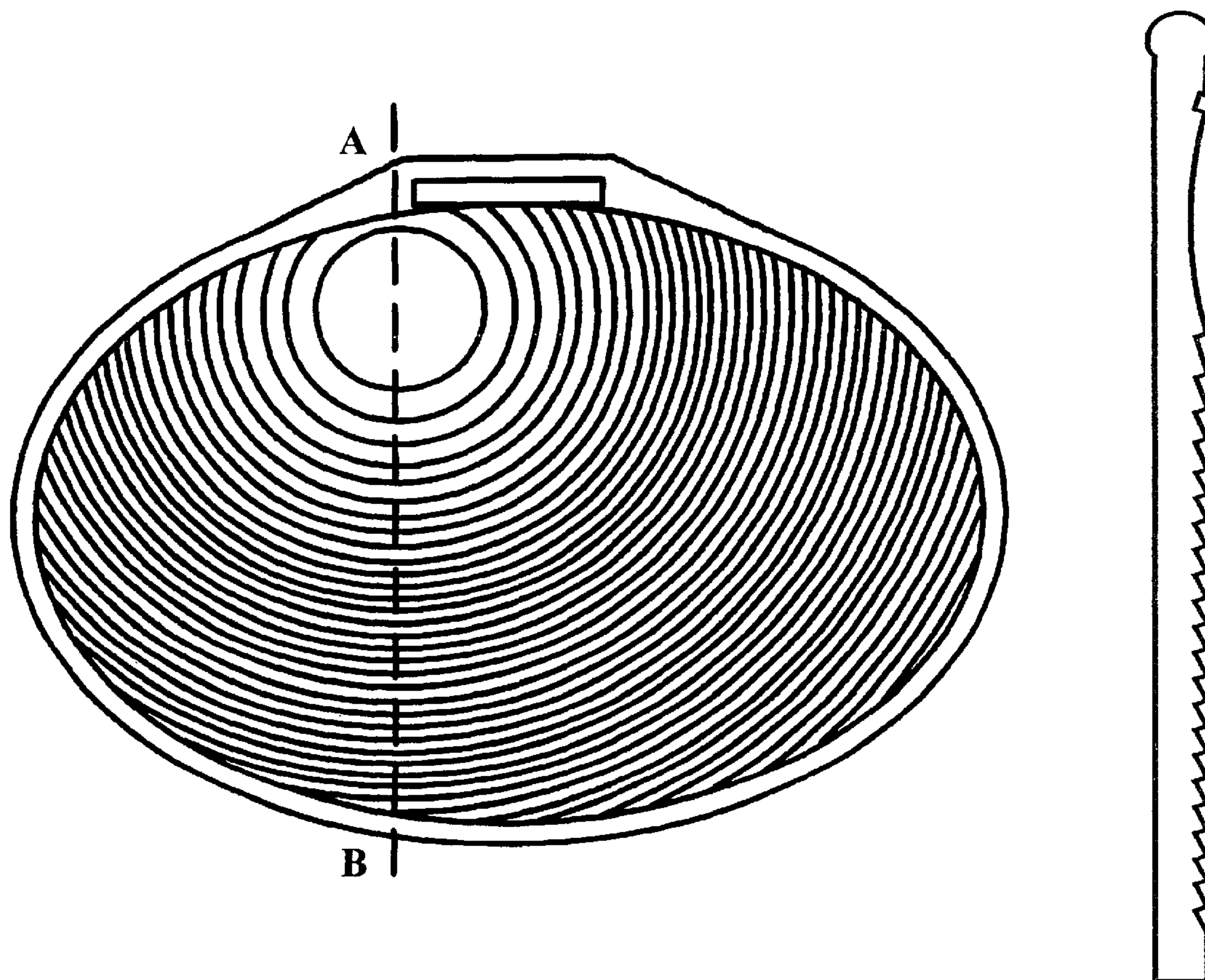
My viewing aid is characterized by an oval area containing a pattern comprising concentric circular contours. My viewing aid is further characterized by a rim of rectangular cross section abutting said oval area. My viewing aid is further characterized by a linear portion of cylindrical cross section separated from said oval area by a rectangular gap.

FIG. 1 is a front elevation view of a viewing aid showing my new design;

FIG. 2 is a left side elevation view of one edge thereof, the right side elevation view being a mirror image; and,

FIG. 3 is a side elevation view of a section along the line A-B of FIG. 1, showing the surface detail.

**1 Claim, 3 Drawing Sheets**



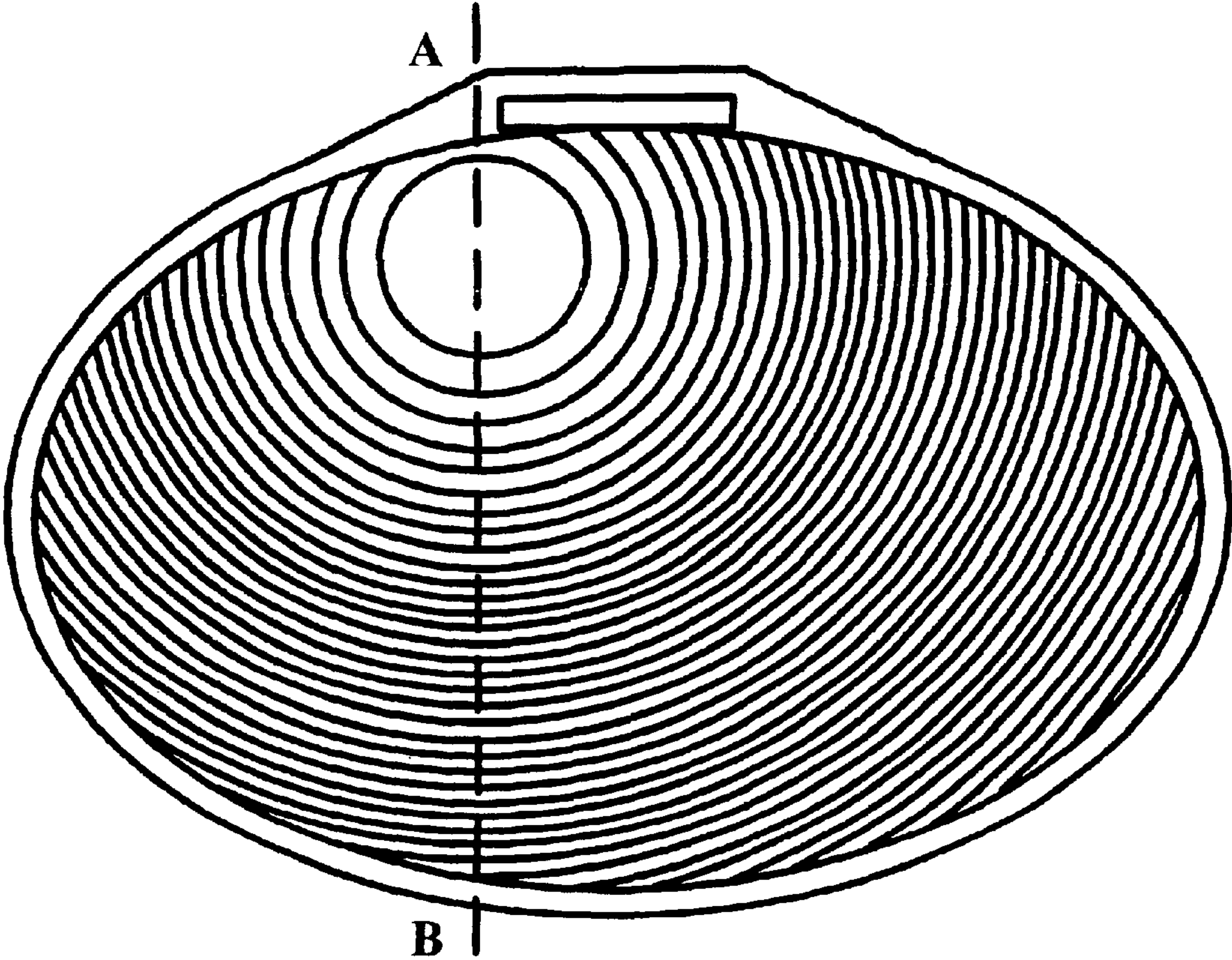


FIG. 1



**FIG. 2**



FIG. 3