

US00D498778S

(12) **United States Design Patent** (10) **Patent No.:** **US D498,778 S**  
**Hu** (45) **Date of Patent:** **\*\* Nov. 23, 2004**

(54) **GEAR WHEEL**

(76) **Inventor:** **Bobby Hu**, 8F, No. 536-1, Ta Chin Street, Taichung (TW)

(\*\*) **Term:** **14 Years**

(21) **Appl. No.:** **29/203,982**

(22) **Filed:** **Apr. 22, 2004**

(51) **LOC (7) Cl.** ..... **15-09**

(52) **U.S. Cl.** ..... **D15/148**

(58) **Field of Search** ..... **D15/148-149;**  
**474/152, 162; 81/60, 63, 63.2**

2002/0023520 A1 \* 2/2002 Hu ..... 81/63.2  
2003/0115993 A1 \* 6/2003 Chang ..... 81/60  
2003/0230174 A1 \* 12/2003 Hsien ..... 81/60  
2004/0011162 A1 \* 1/2004 Hsien ..... 81/63.2  
2004/0055422 A1 \* 3/2004 Lin ..... 81/60

\* cited by examiner

*Primary Examiner*—Antoine D. Davis

(74) *Attorney, Agent, or Firm*—Alan D. Kamrath; Nikolai & Mersereau, P.A.

(57) **CLAIM**

The ornamental design for gear wheel, as shown and described.

**DESCRIPTION**

FIG. 1 is a perspective view of a gear wheel showing my new design;

FIG. 2 is a front view thereof; the opposite side being a mirror image of the shown.

FIG. 3 is a top view thereof; and,

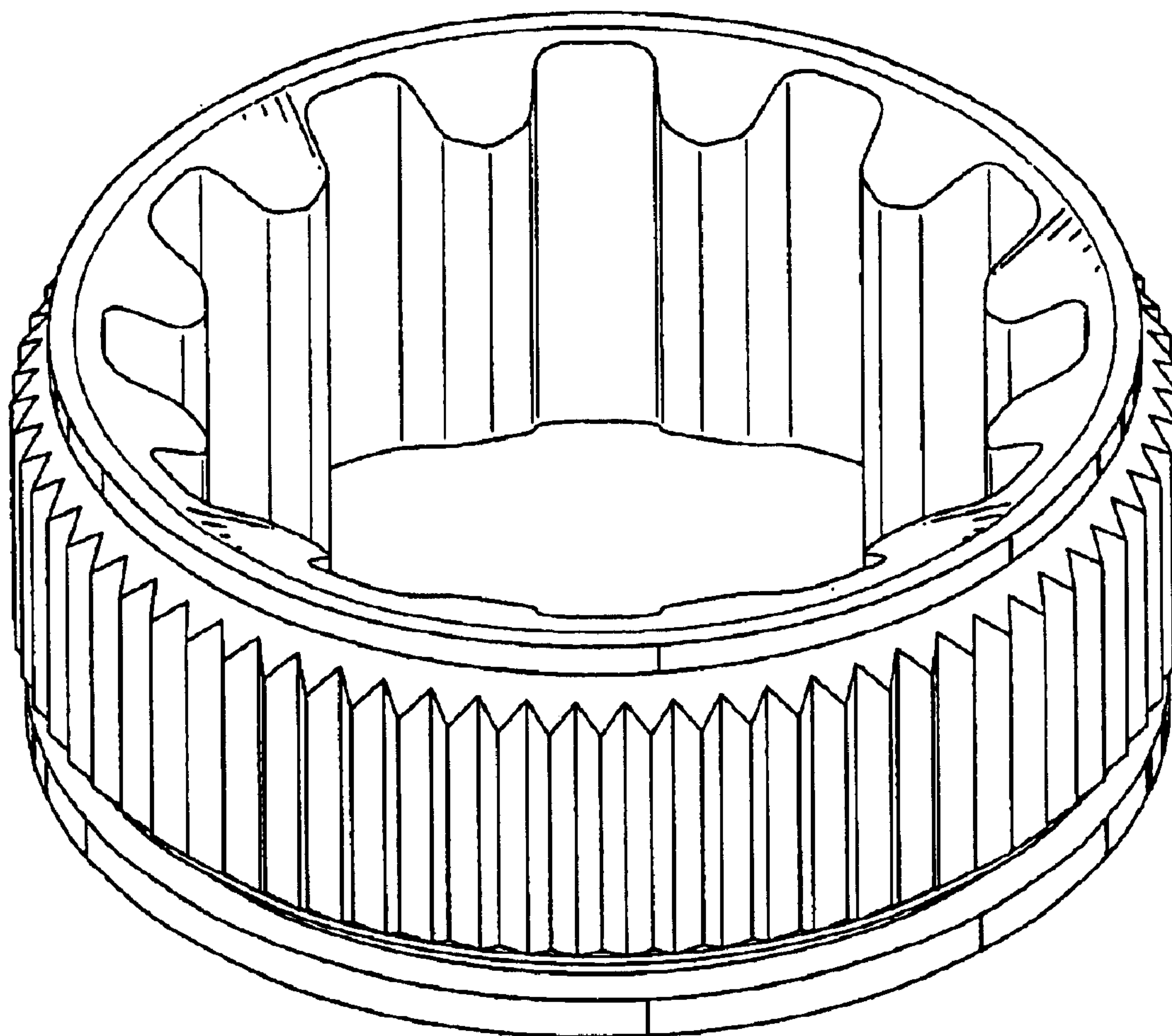
FIG. 4 is a bottom view thereof;

**1 Claim, 2 Drawing Sheets**

(56) **References Cited**

**U.S. PATENT DOCUMENTS**

D118,168 S \* 12/1939 Nassimbene ..... D15/148  
D392,656 S \* 3/1998 Mizukami ..... D15/149  
6,148,695 A \* 11/2000 Hu ..... 81/60  
6,282,991 B1 \* 9/2001 Hu ..... 81/63.2  
2002/0002092 A1 \* 1/2002 Reguzzi ..... 474/152  
2002/0023519 A1 \* 2/2002 Hu ..... 81/63.2



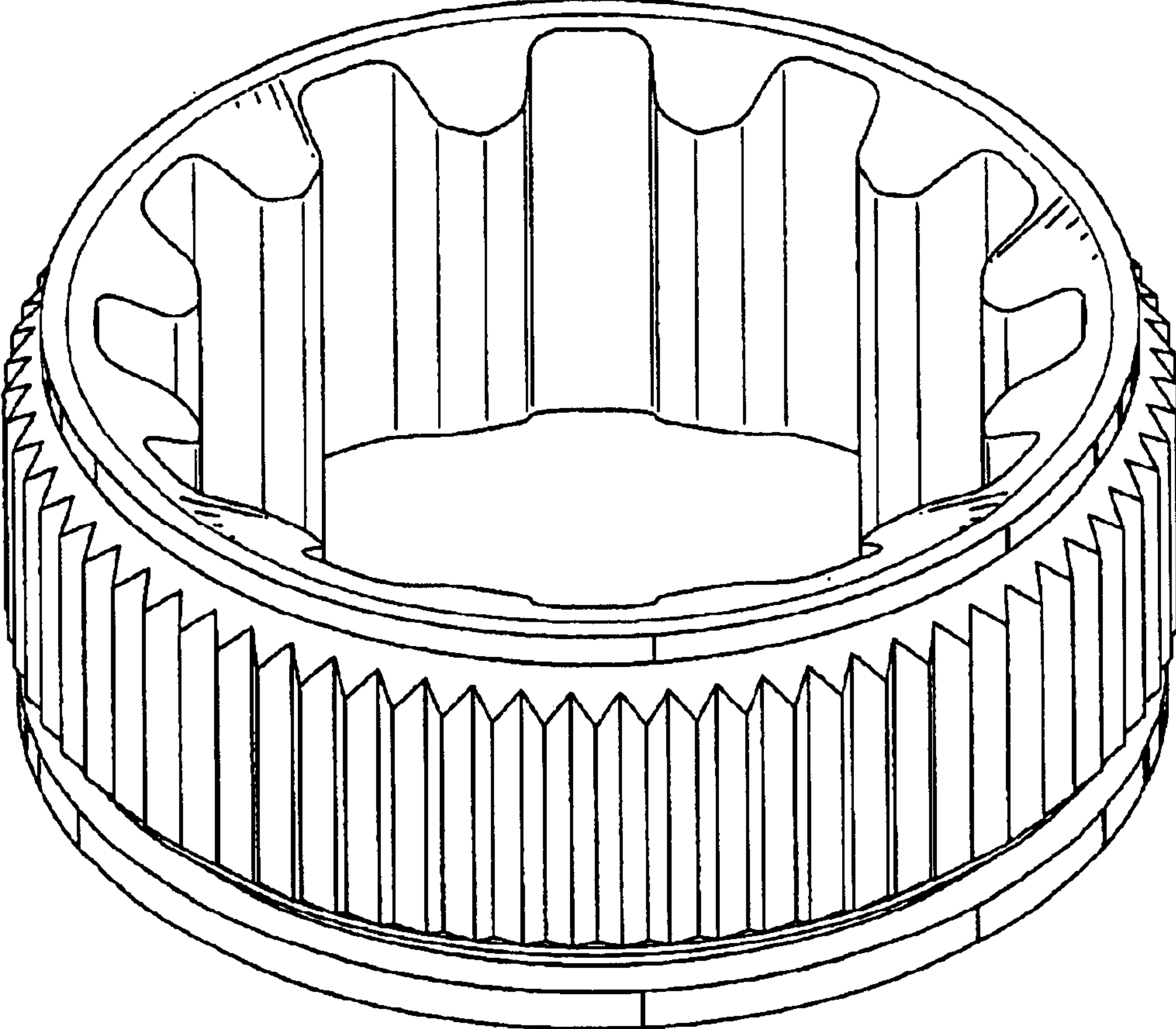


Fig. 1

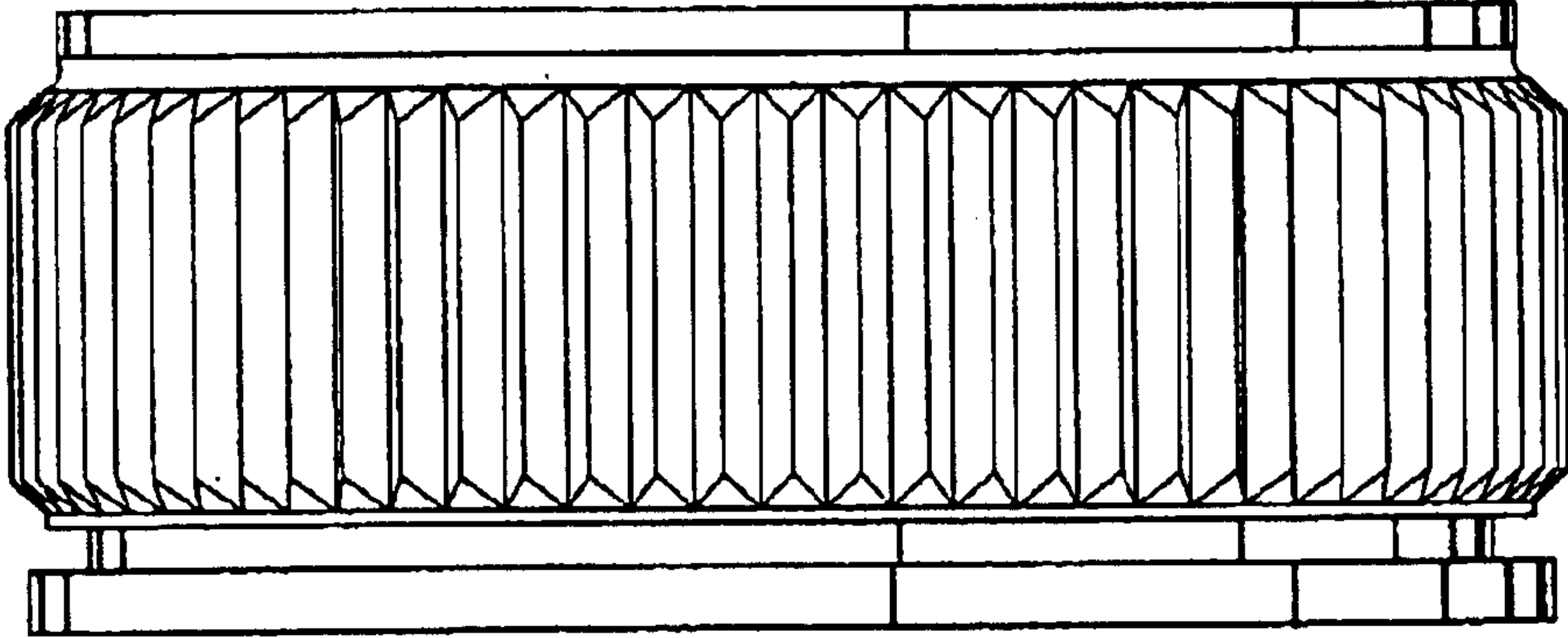


Fig. 2

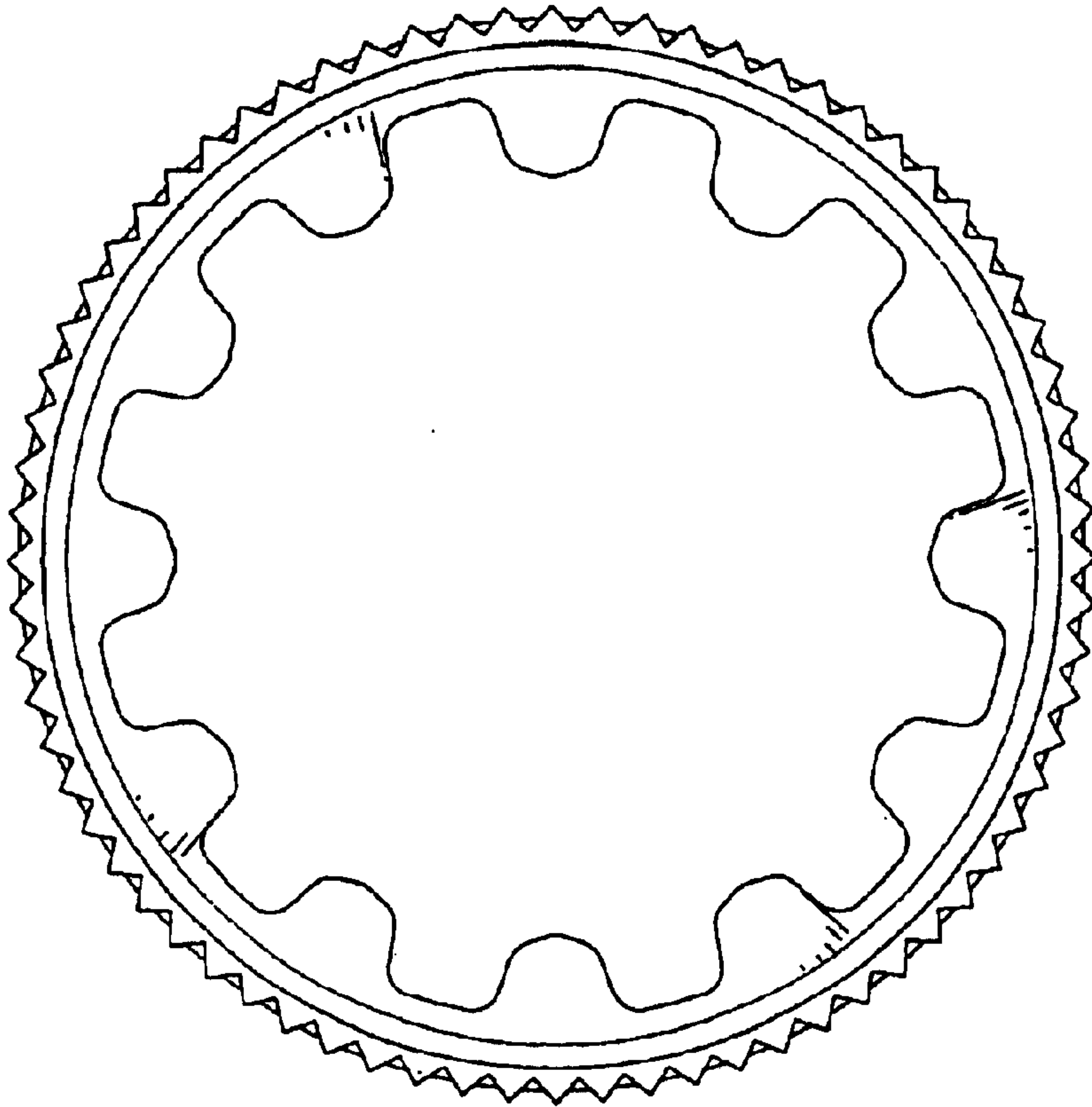


Fig. 3

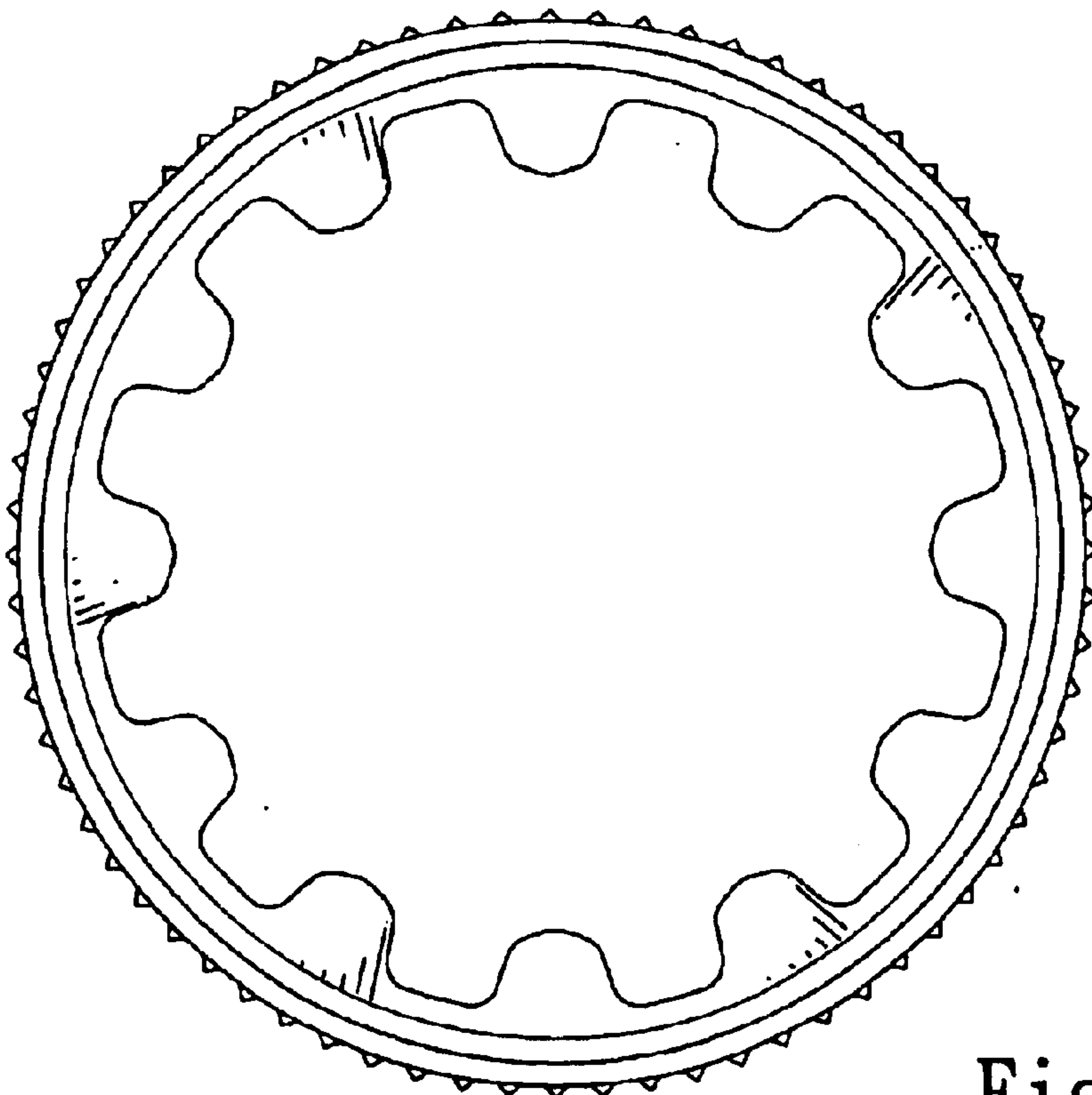
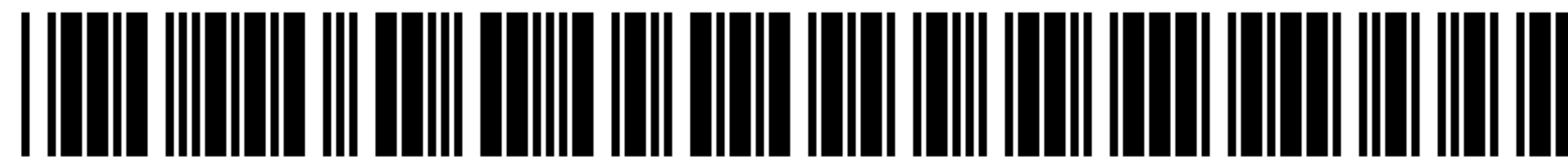


Fig. 4





US00D498778C1

(12) **EX PARTE REEXAMINATION CERTIFICATE** (6347th)  
**United States Patent**  
**Hu**

(10) **Number:** **US D498,778 C1**  
(45) **Certificate Issued:** **Aug. 5, 2008**

(54) **GEAR WHEEL**

(76) **Inventor:** **Bobby Hu**, 8F, No. 536-1, Ta Chin Street, Taichung (TW)

**Reexamination Request:**

No. 90/007,662, Aug. 9, 2005

**Reexamination Certificate for:**

Patent No.: **Des. 498,778**  
Issued: **Nov. 23, 2004**  
Appl. No.: **29/203,982**  
Filed: **Apr. 22, 2004**

- (51) **LOC (8) Cl.** ..... **15-09**
- (52) **U.S. Cl.** ..... **D15/148**
- (58) **Field of Classification Search** ..... 81/60,  
81/61, 62, 63, 63.1, 63.2; 192/46  
See application file for complete search history.

(56) **References Cited**

**U.S. PATENT DOCUMENTS**

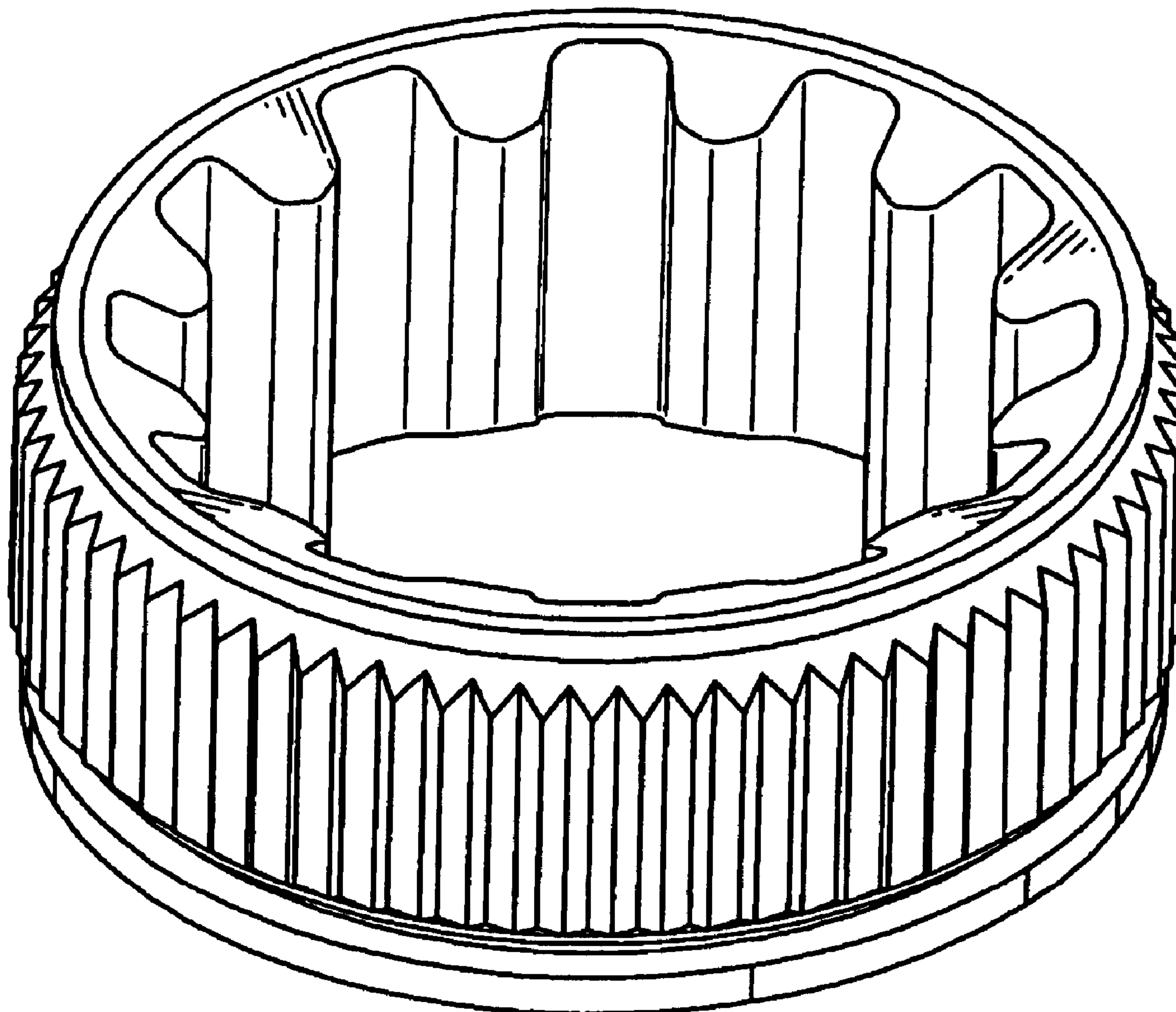
4,991,468	A	*	2/1991	Lee	.....	81/60
6,341,543	B1	*	1/2002	Hsieh	.....	81/63.2
6,467,378	B1	*	10/2002	Chen	.....	81/60
6,488,136	B2	*	12/2002	Chang	.....	192/46
6,981,433	B2	*	1/2006	Hsien	.....	81/60

**FOREIGN PATENT DOCUMENTS**

TW	447369	*	7/2001
TW	488346	*	5/2002
TW	571873	*	1/2004

\* cited by examiner

*Primary Examiner*—Adir Aronovich



**EX PARTE  
REEXAMINATION CERTIFICATE  
ISSUED UNDER 35 U.S.C. 307**

The sole claim is cancelled.

[The ornamental design for gear wheel, as shown and described.]

AS A RESULT OF REEXAMINATION, IT HAS BEEN  
DETERMINED THAT:

\* \* \* \* \*