

US00D498775S

(12) **United States Design Patent** (10) **Patent No.:** **US D498,775 S**
Hu (45) **Date of Patent:** **** Nov. 23, 2004**

(54) **GEAR WHEEL**

(76) **Inventor:** **Bobby Hu**, 8F, No. 536~1, Ta-Chin Street, Taichung (TW)

(**) **Term:** **14 Years**

(21) **Appl. No.:** **29/203,960**

(22) **Filed:** **Apr. 22, 2004**

(51) **LOC (7) Cl.** **15-09**

(52) **U.S. Cl.** **D15/148**

(58) **Field of Search** **D15/148-149;**
474/152, 162; 81/60, 63, 63.2

2002/0023520 A1 * 2/2002 Hu 81/63.2
2003/0115993 A1 * 6/2003 Chang 81/60
2003/0230174 A1 * 12/2003 Hsien 81/60
2004/0011162 A1 * 1/2004 Hsien 81/63.2
2004/0055422 A1 * 3/2004 Lin 81/60

* cited by examiner

Primary Examiner—Antoine D. Davis

(74) *Attorney, Agent, or Firm*—Alan D. Kamrath; Nikolai & Mersereau, P.A.

(57) **CLAIM**

The ornamental design for gear wheel, as shown and described.

DESCRIPTION

FIG. 1 is a perspective view of a gear wheel showing my new design;

FIG. 2 is a front view thereof; the opposite side being a mirror image of the shown.

FIG. 3 is a top view thereof; and,

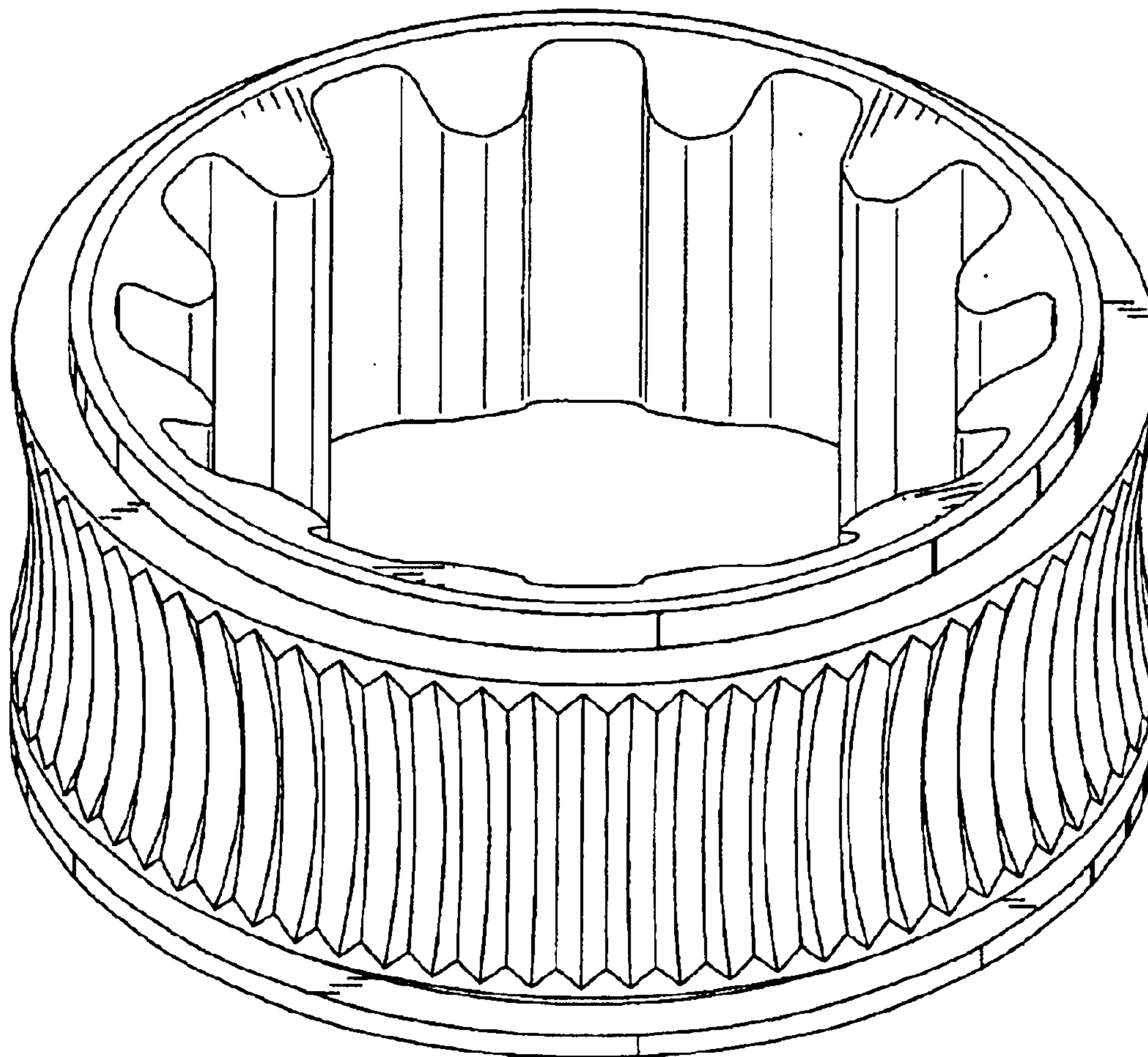
FIG. 4 is a bottom view thereof.

(56) **References Cited**

U.S. PATENT DOCUMENTS

D118,168 S * 12/1939 Nassimbene D15/148
D392,656 S * 3/1998 Mizukami D15/149
6,148,695 A * 11/2000 Hu 81/60
6,282,991 B1 * 9/2001 Hu 81/63.2
2002/0002092 A1 * 1/2002 Reguzzi 474/152
2002/0023519 A1 * 2/2002 Hu 81/63.2

1 Claim, 2 Drawing Sheets



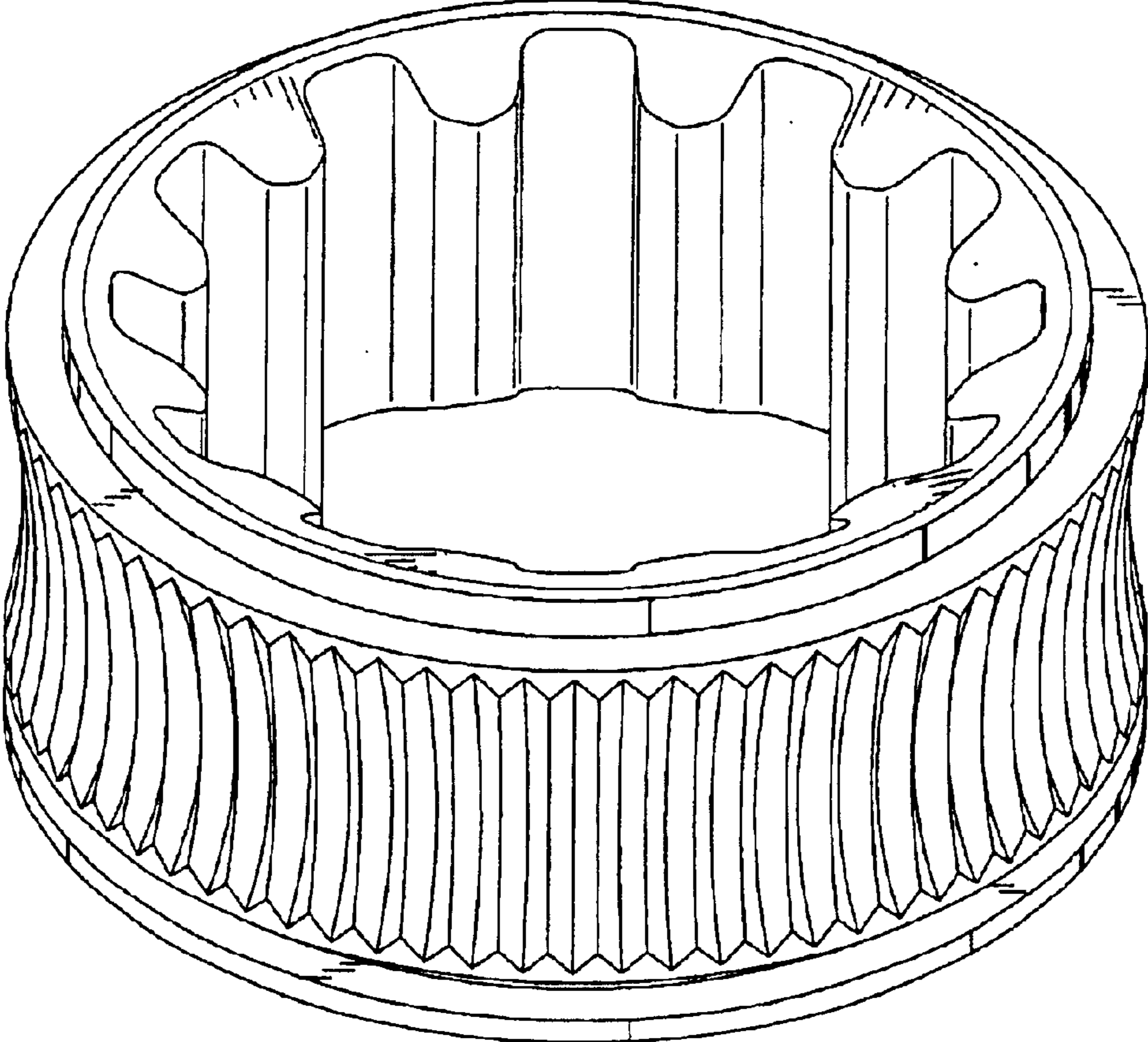


Fig. 1

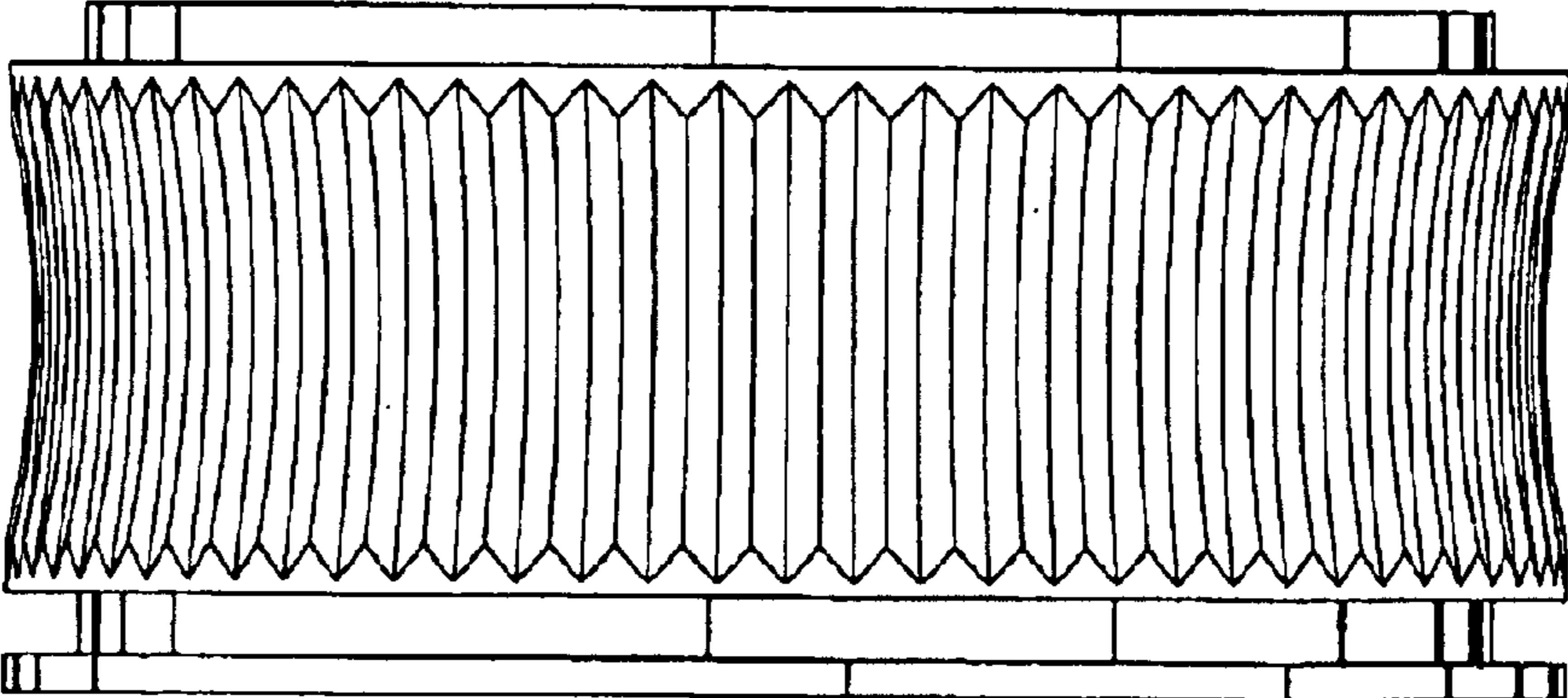


Fig. 2

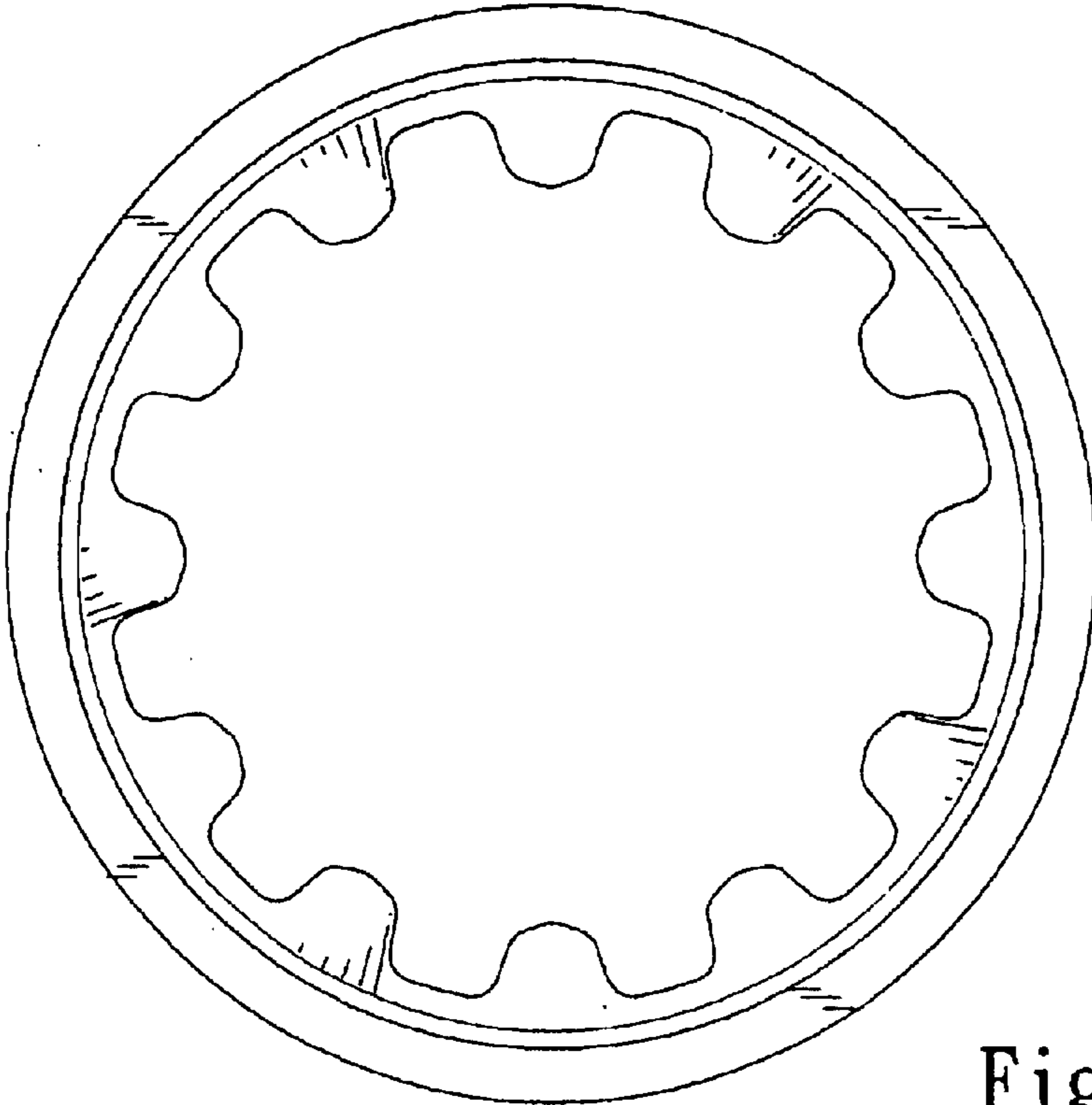


Fig. 3

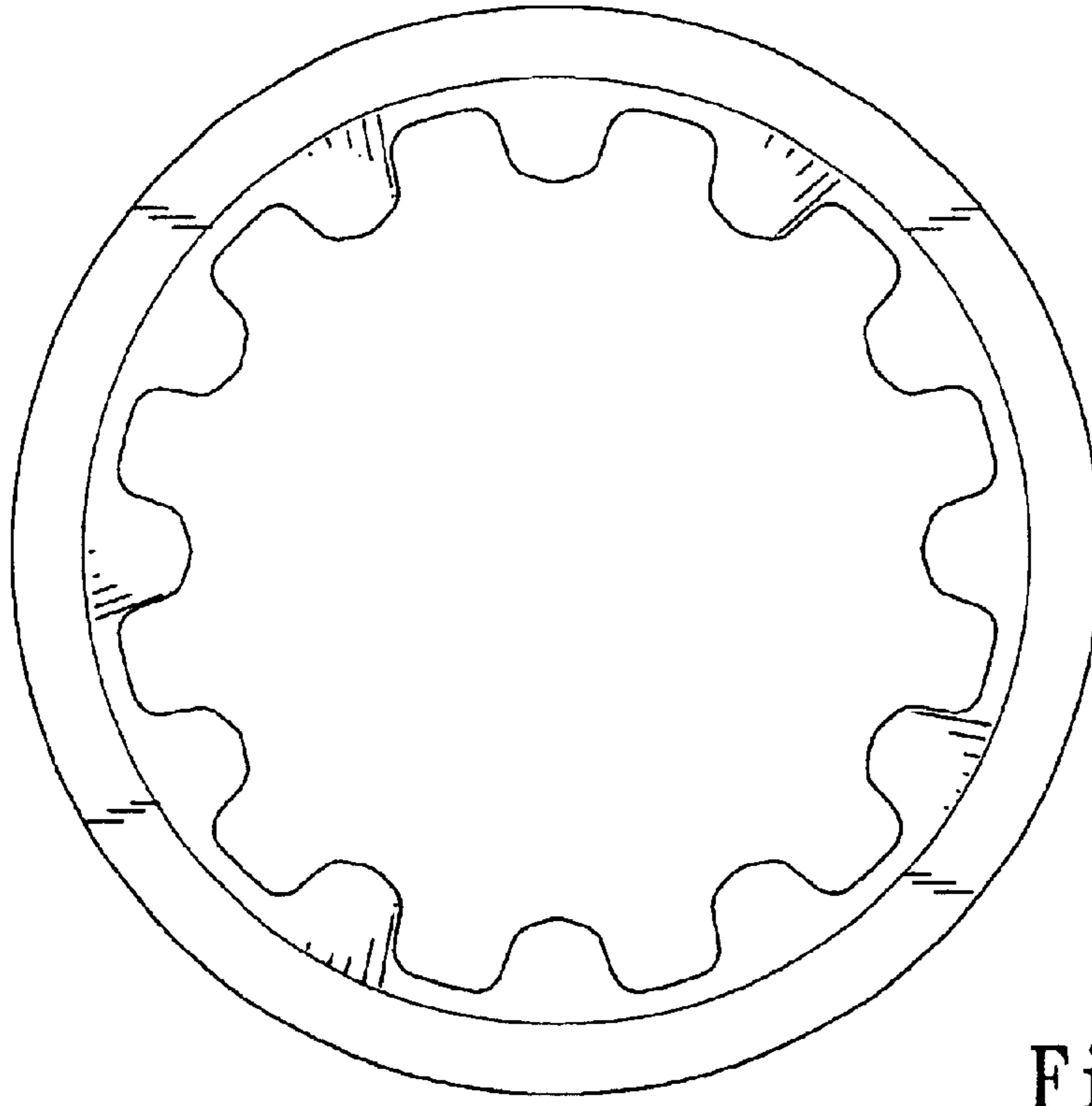


Fig. 4