

US00D498773S

(12) **United States Design Patent** (10) **Patent No.:** **US D498,773 S**
Welsh et al. (45) **Date of Patent:** **** Nov. 23, 2004**

(54) **PORTIONS OF A TABLE SAW**

(75) **Inventors:** **Robert P. Welsh**, Hunt Valley, MD (US); **David E. Duncanson**, W. Newbury, MA (US); **Mark A. Nichols**, Boston, MA (US); **Scott E. Stropkay**, Carlisle, MA (US)

(73) **Assignee:** **Black & Decker Inc.**, Newark, DE (US)

(**) **Term:** **14 Years**

(21) **Appl. No.:** **29/183,330**

(22) **Filed:** **Jun. 10, 2003**

Related U.S. Application Data

(63) Continuation of application No. 29/162,688, filed on Jun. 19, 2002, now Pat. No. Des. 479,538, which is a continuation of application No. 29/144,360, filed on Jun. 29, 2001, now Pat. No. Des. 461,456, which is a continuation of application No. 29/132,607, filed on Nov. 9, 2000, now Pat. No. Des. 447,497, which is a continuation of application No. 29/121,606, filed on Apr. 11, 2000, now Pat. No. Des. 440,239, which is a continuation of application No. 29/111,726, filed on Oct. 1, 1999, now Pat. No. Des. 427,214, which is a continuation of application No. 29/103,366, filed on Apr. 13, 1999, now Pat. No. Des. 422,290.

(51) **LOC (7) Cl.** **15-09**

(52) **U.S. Cl.** **D15/133**

(58) **Field of Search** D8/300, 310, 316, D8/319-321; D15/142, 133; 83/432, 435, 468.7, 468.3, 477, 477.2, 478; 144/287

(56) **References Cited**

U.S. PATENT DOCUMENTS

4,370,140 A * 1/1983 Fegley et al. 493/289
D422,290 S * 4/2000 Welsh et al. D15/133
6,631,658 B2 * 10/2003 Brown 76/37

* cited by examiner

Primary Examiner—Antoine D. Davis

(74) *Attorney, Agent, or Firm*—Adan Ayala

(57) **CLAIM**

The ornamental design for portions of a table saw, as shown and described.

DESCRIPTION

FIG. 1 is a front elevational view of portions of a table saw according to the invention;

FIG. 2 is a rear elevational view thereof;

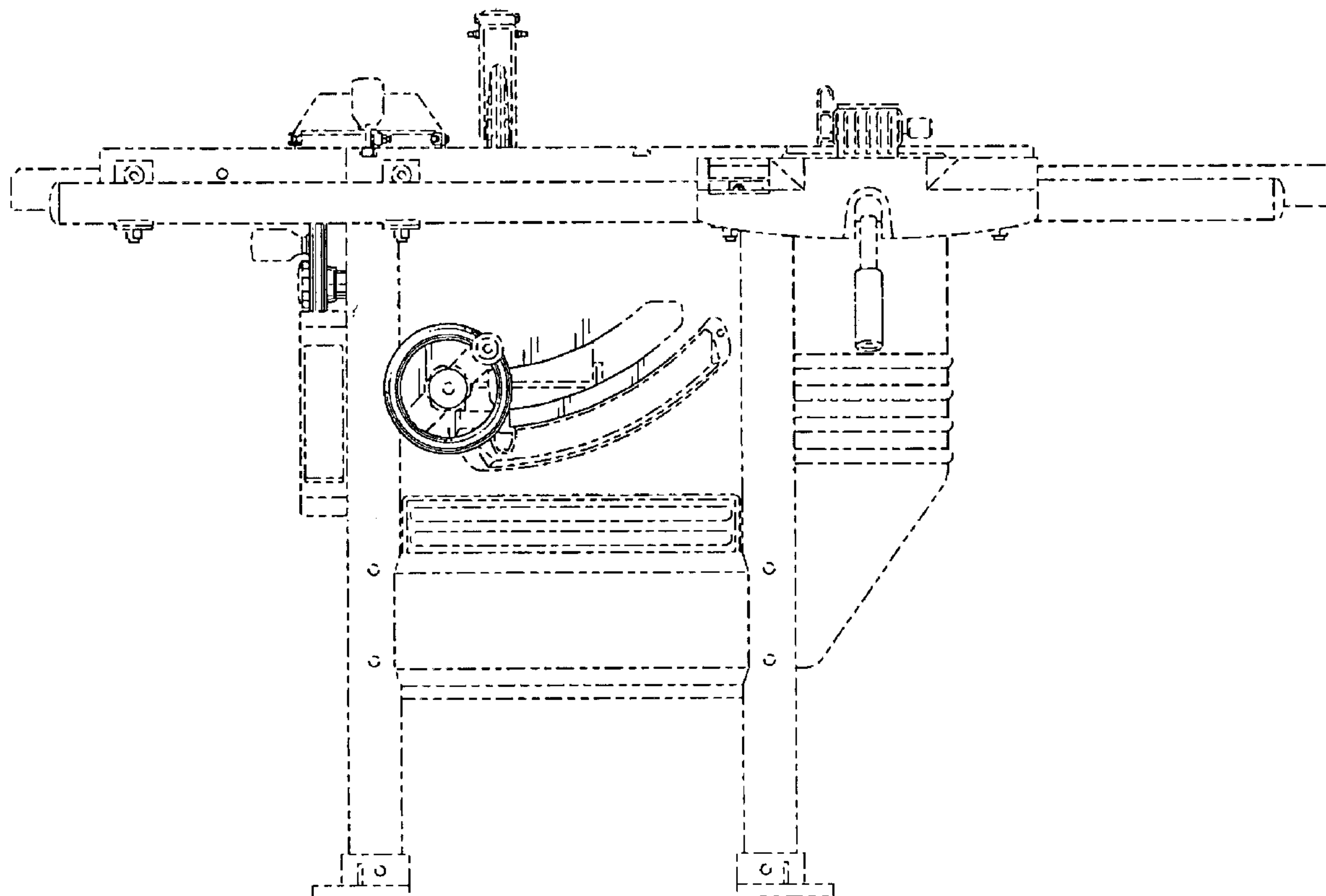
FIG. 3 is a left side elevational view thereof;

FIG. 4 is a right side elevational view thereof; and,

FIG. 5 is a front perspective view thereof.

The broken line showing of a table saw is for illustrative purposes only and forms no part of the claimed design.

1 Claim, 5 Drawing Sheets



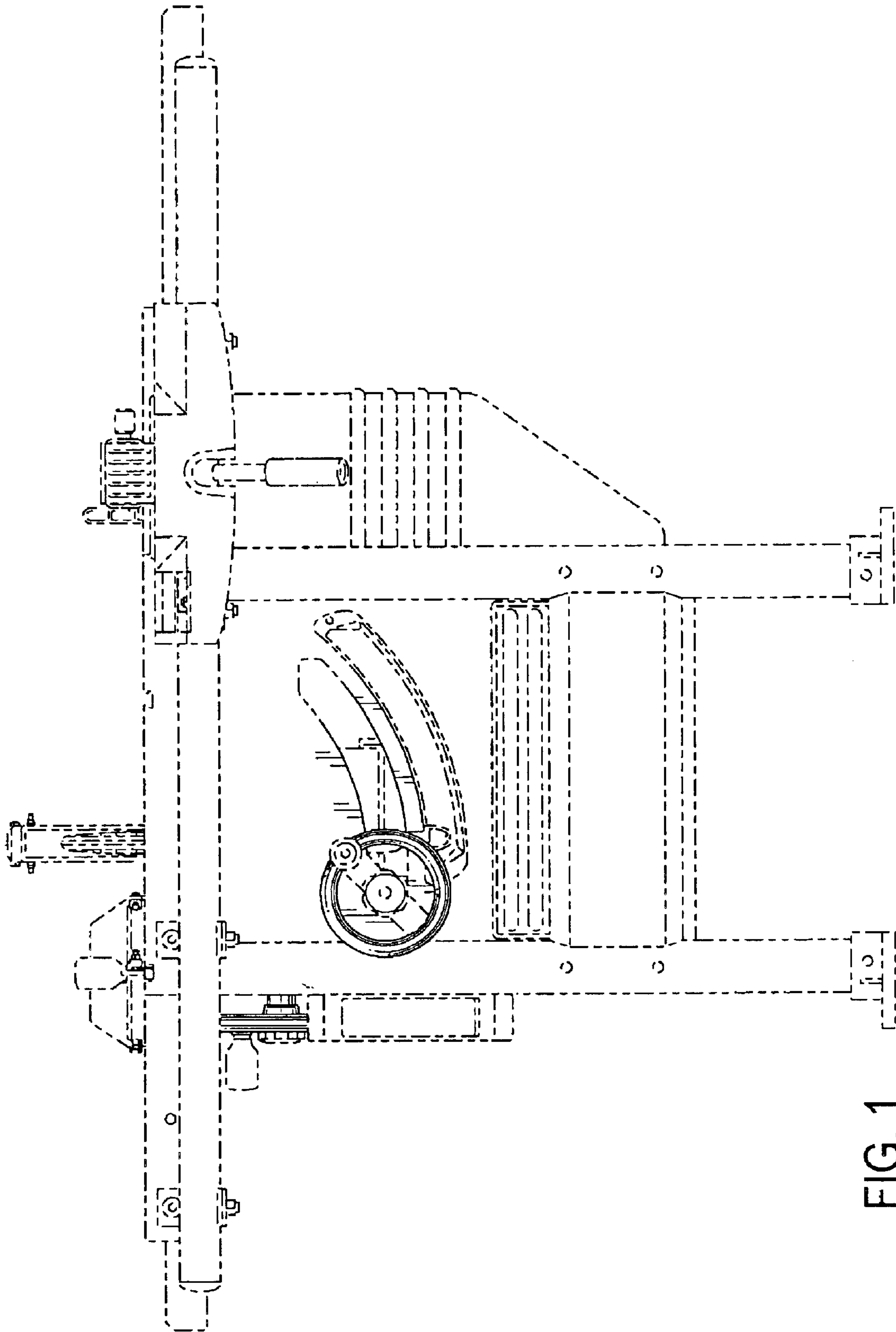


FIG. 1

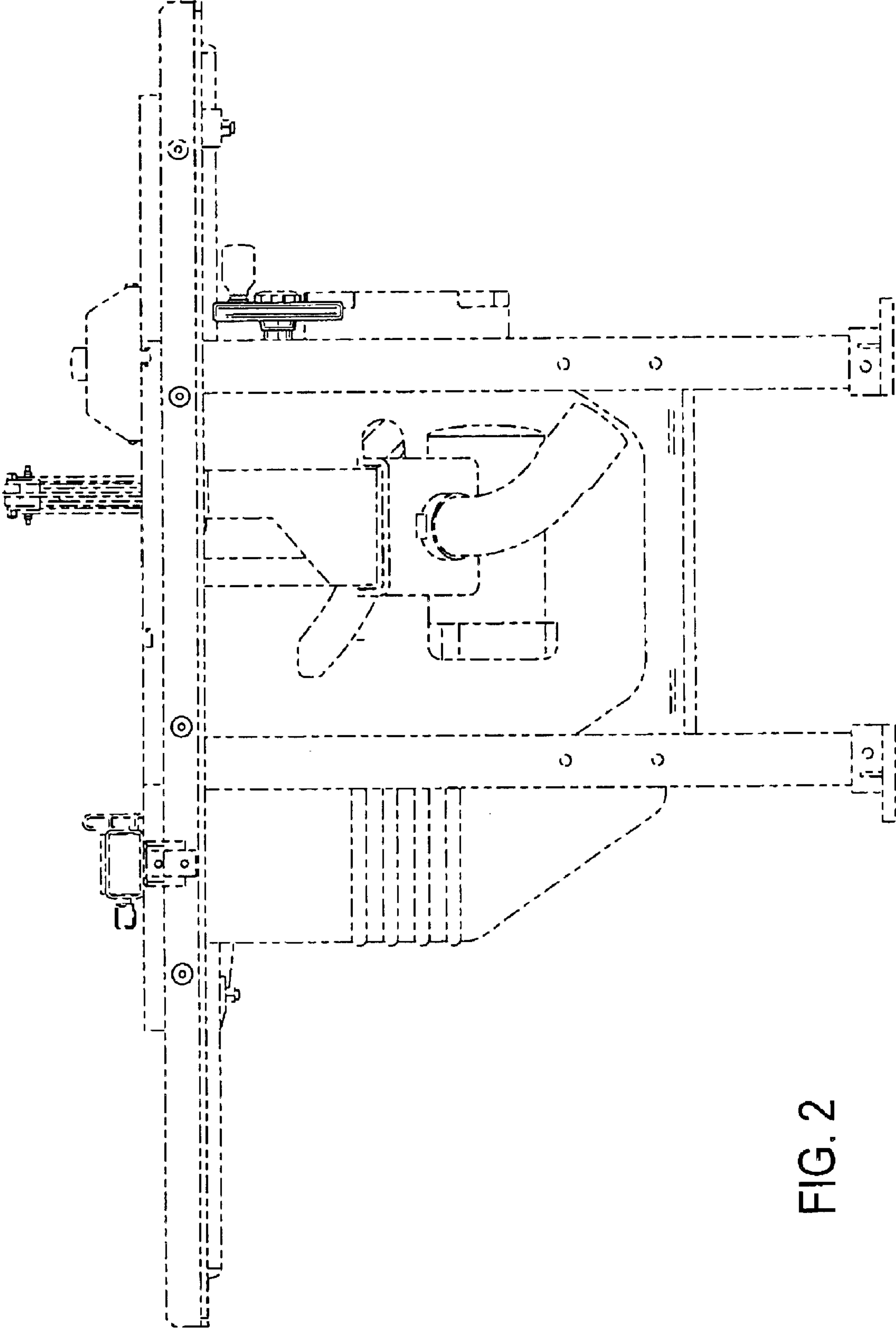


FIG. 2

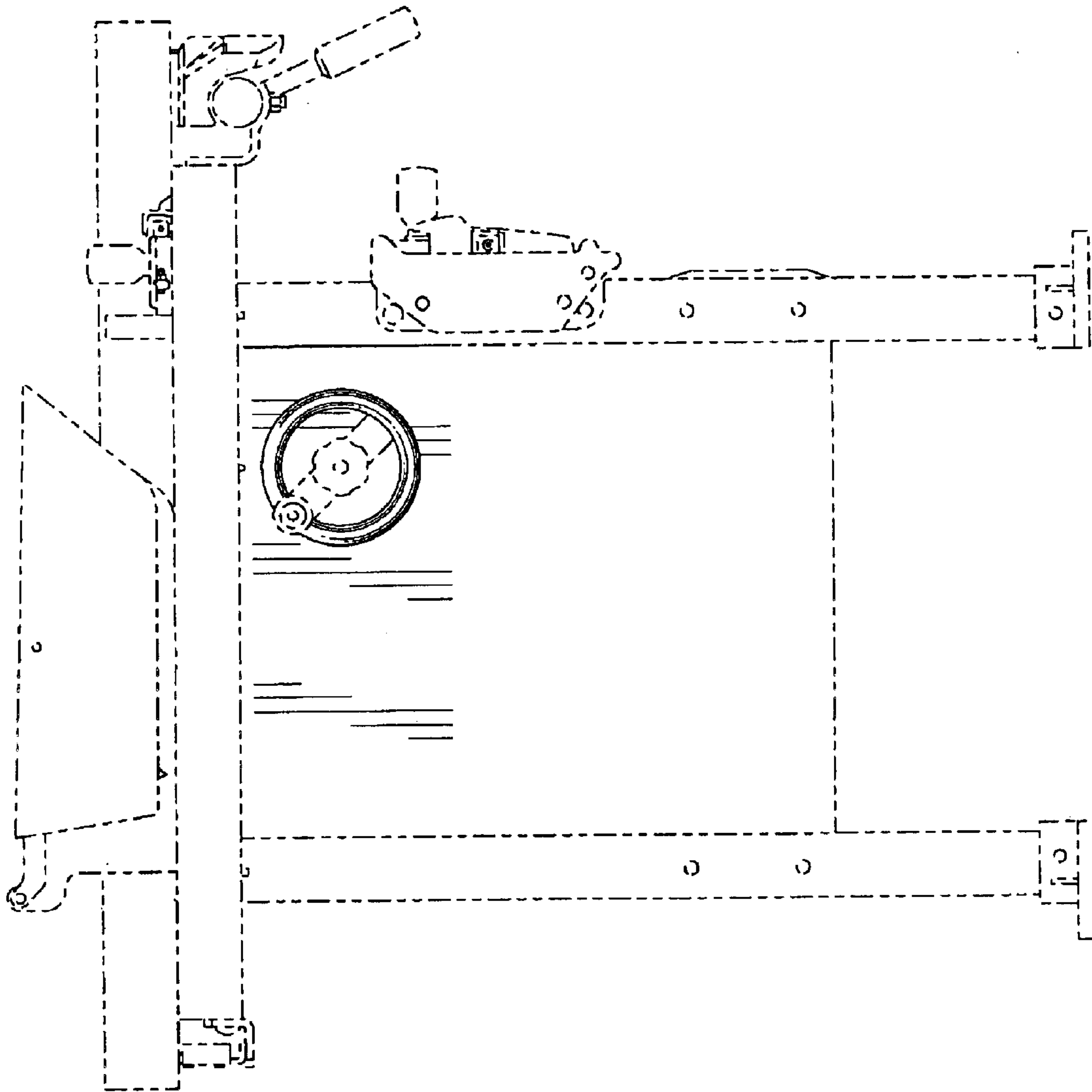


FIG. 3

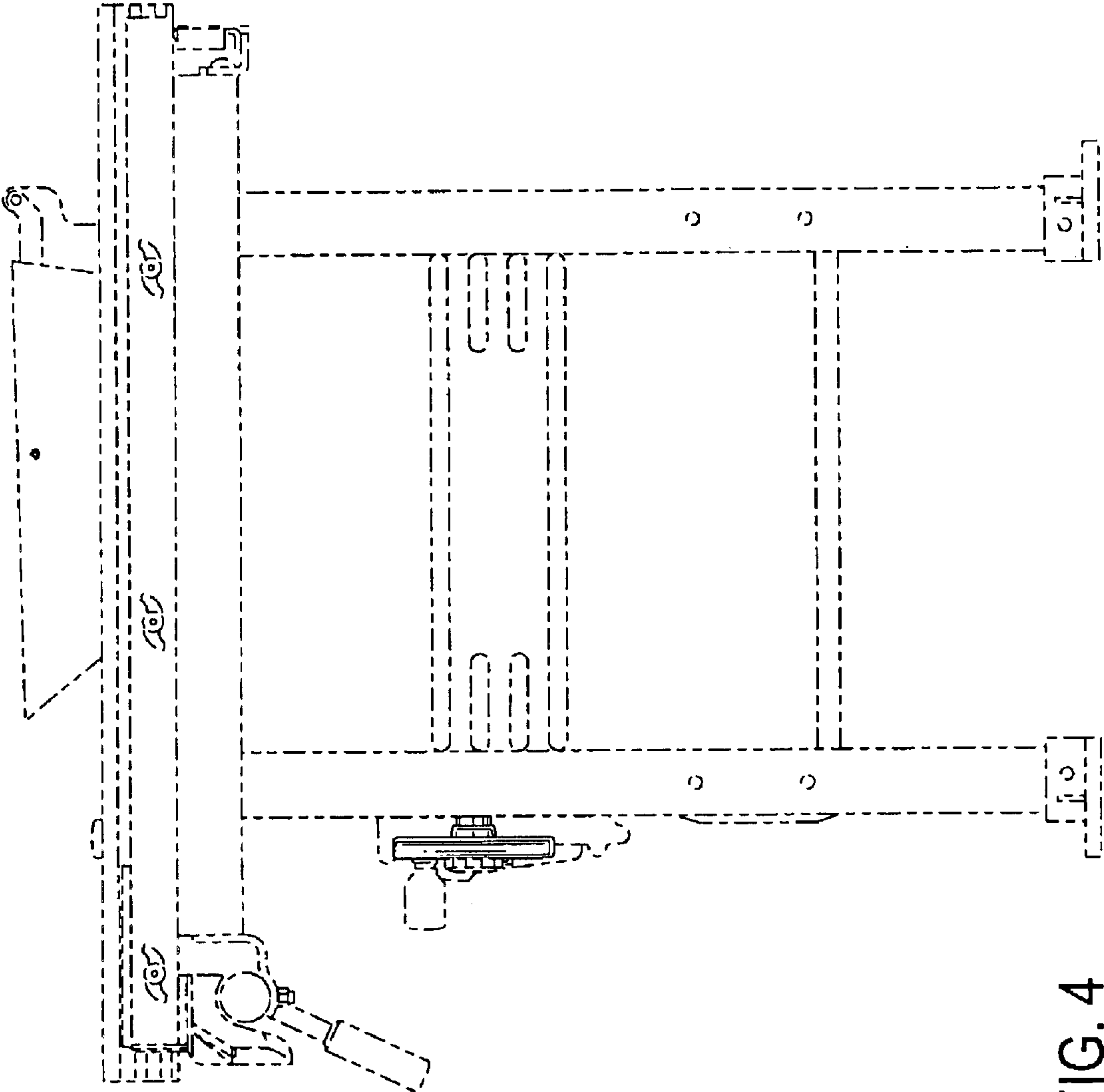


FIG. 4

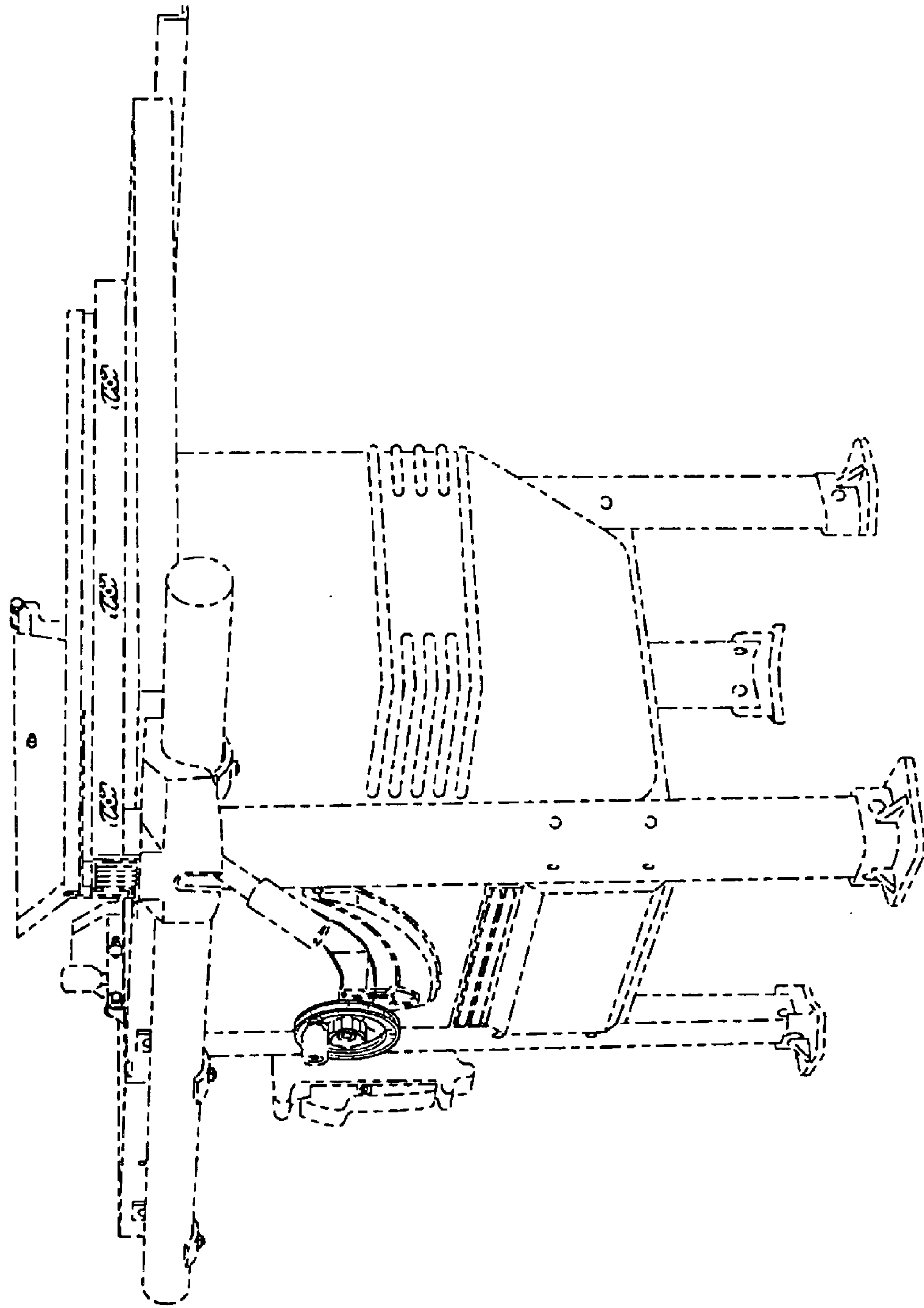


FIG. 5