

US00D498770S

(12) **United States Design Patent**
Yuzuriha

(10) **Patent No.:** **US D498,770 S**

(45) **Date of Patent:** **** Nov. 23, 2004**

(54) **SNOW THROWER**

(75) **Inventor:** **Hiromi Yuzuriha, Wako (JP)**

(73) **Assignee:** **Honda Giken Kogyo Kabushiki Kaisha, Tokyo (JP)**

(**) **Term:** **14 Years**

(21) **Appl. No.:** **29/186,352**

(22) **Filed:** **Jul. 14, 2003**

(30) **Foreign Application Priority Data**

Jan. 20, 2003 (JP) 2003-001114

(51) **LOC (7) Cl.** **15-03**

(52) **U.S. Cl.** **D15/12**

(58) **Field of Search** D15/11, 12; 37/257, 37/254, 242-251, 258, 227; 180/272; 192/224.2

(56) **References Cited**

U.S. PATENT DOCUMENTS

D314,775 S * 2/1991 Yoshida et al. D15/11
5,174,053 A * 12/1992 Takeshita 37/258

5,438,770 A * 8/1995 Miller 37/227
5,966,846 A * 10/1999 Harms et al. 37/249
D457,171 S * 5/2002 Fowler D15/11
6,499,238 B2 * 12/2002 Kluck et al. 37/261

* cited by examiner

Primary Examiner—Mitchell Siegel

(74) *Attorney, Agent, or Firm*—Rankin, Hill, Porter & Clark LLP

(57) **CLAIM**

The ornamental design for a snow thrower, as shown and described.

DESCRIPTION

FIG. 1 is a first perspective view showing my new design. FIG. 2 is a second perspective view thereof. FIG. 3 is a front elevational view thereof. FIG. 4 is a rear elevational view thereof. FIG. 5 is a right side elevational view thereof. FIG. 6 is a left side elevational view thereof. FIG. 7 is a top plan view thereof; and, FIG. 8 is a bottom plan view thereof.

1 Claim, 4 Drawing Sheets

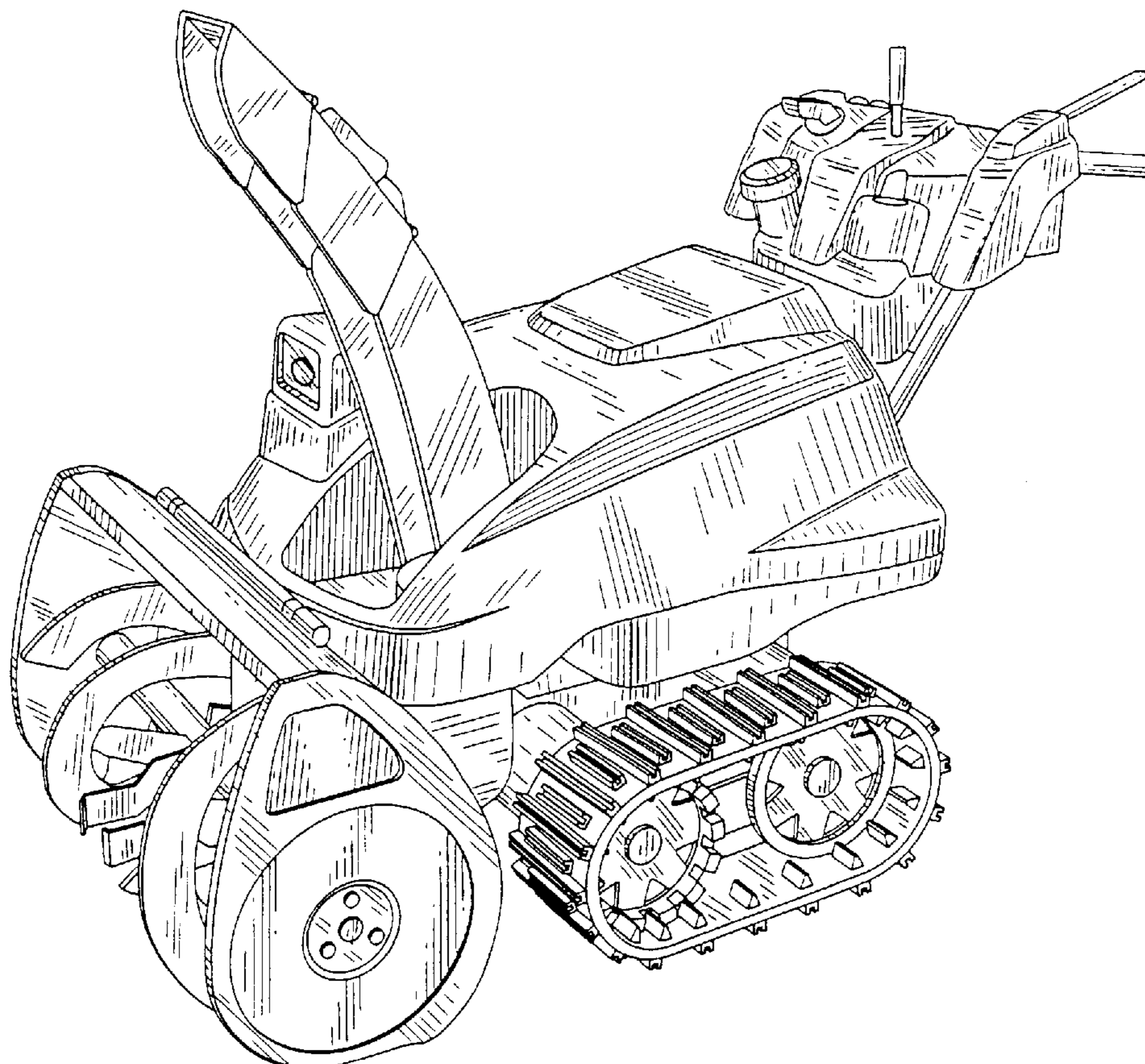


FIG.1

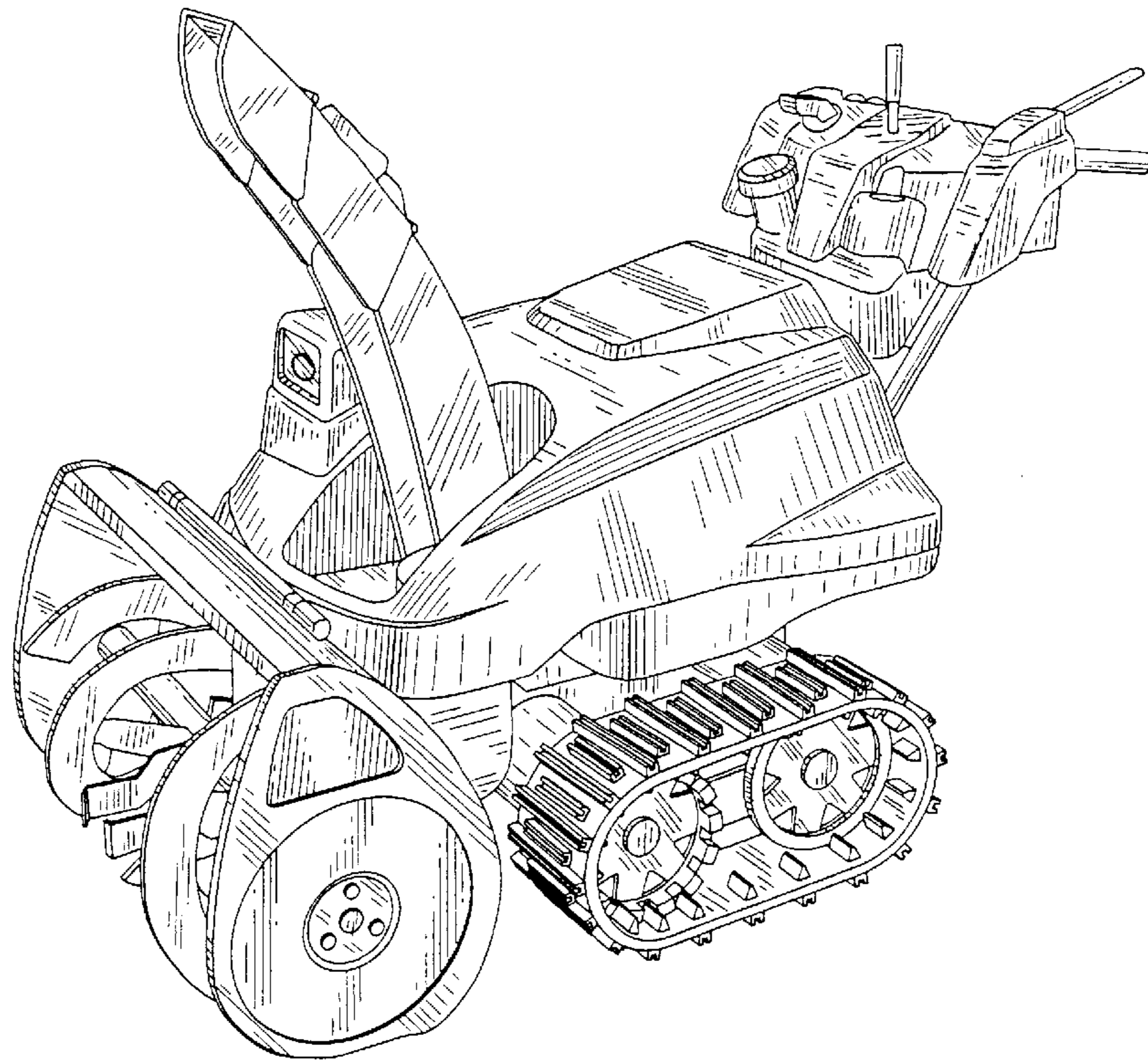


FIG.2

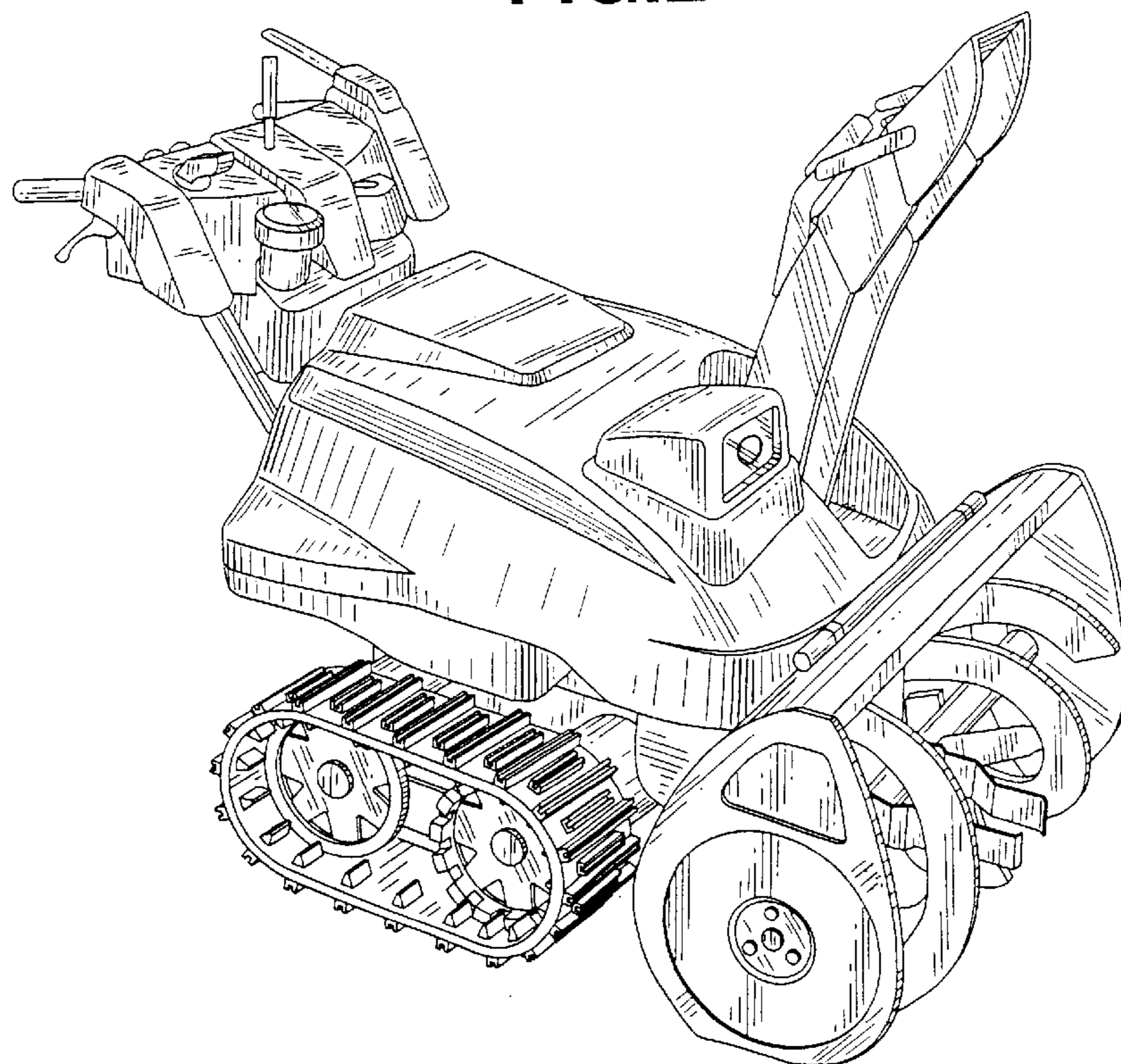


FIG.3

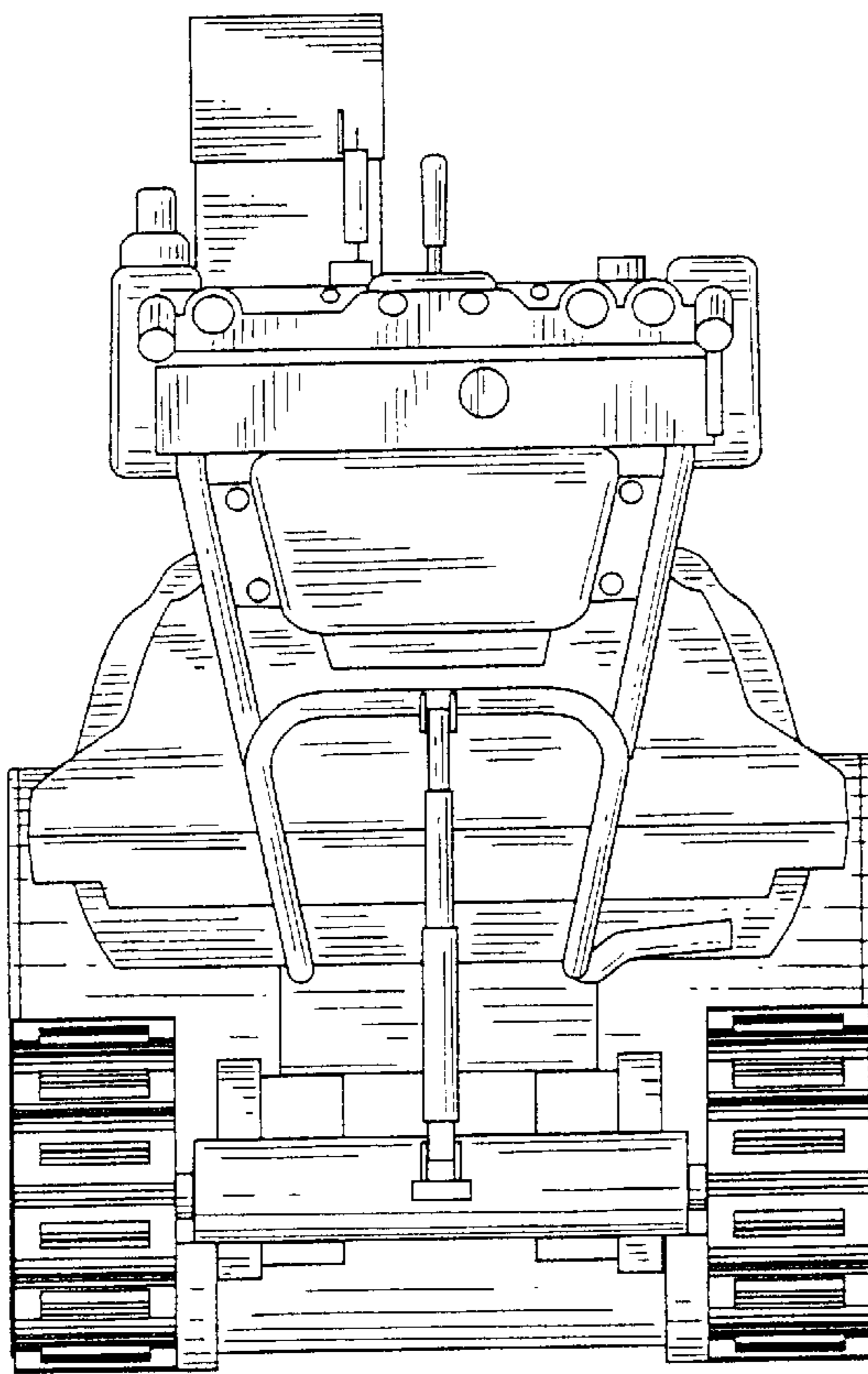


FIG.4

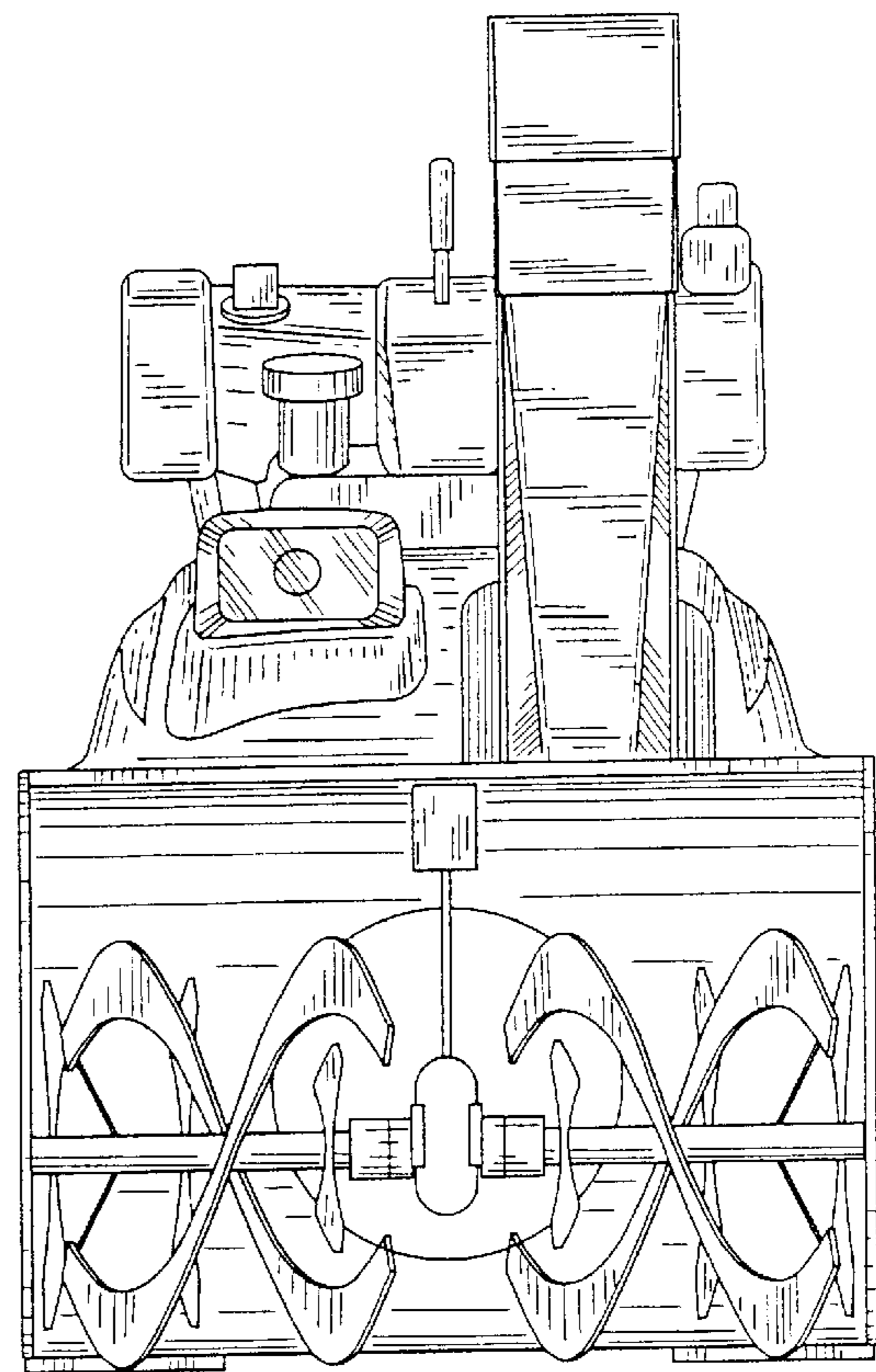


FIG.5

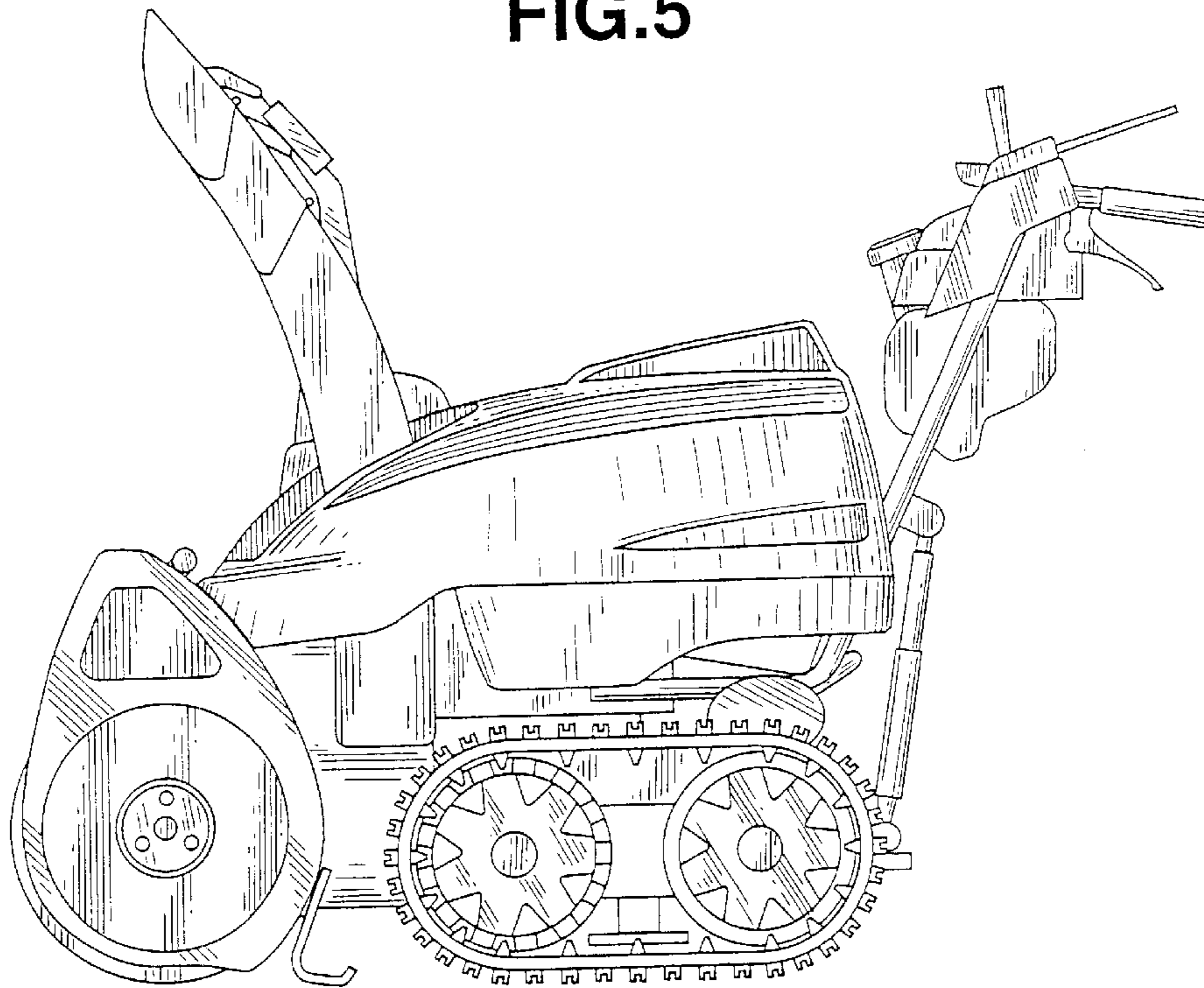


FIG.6

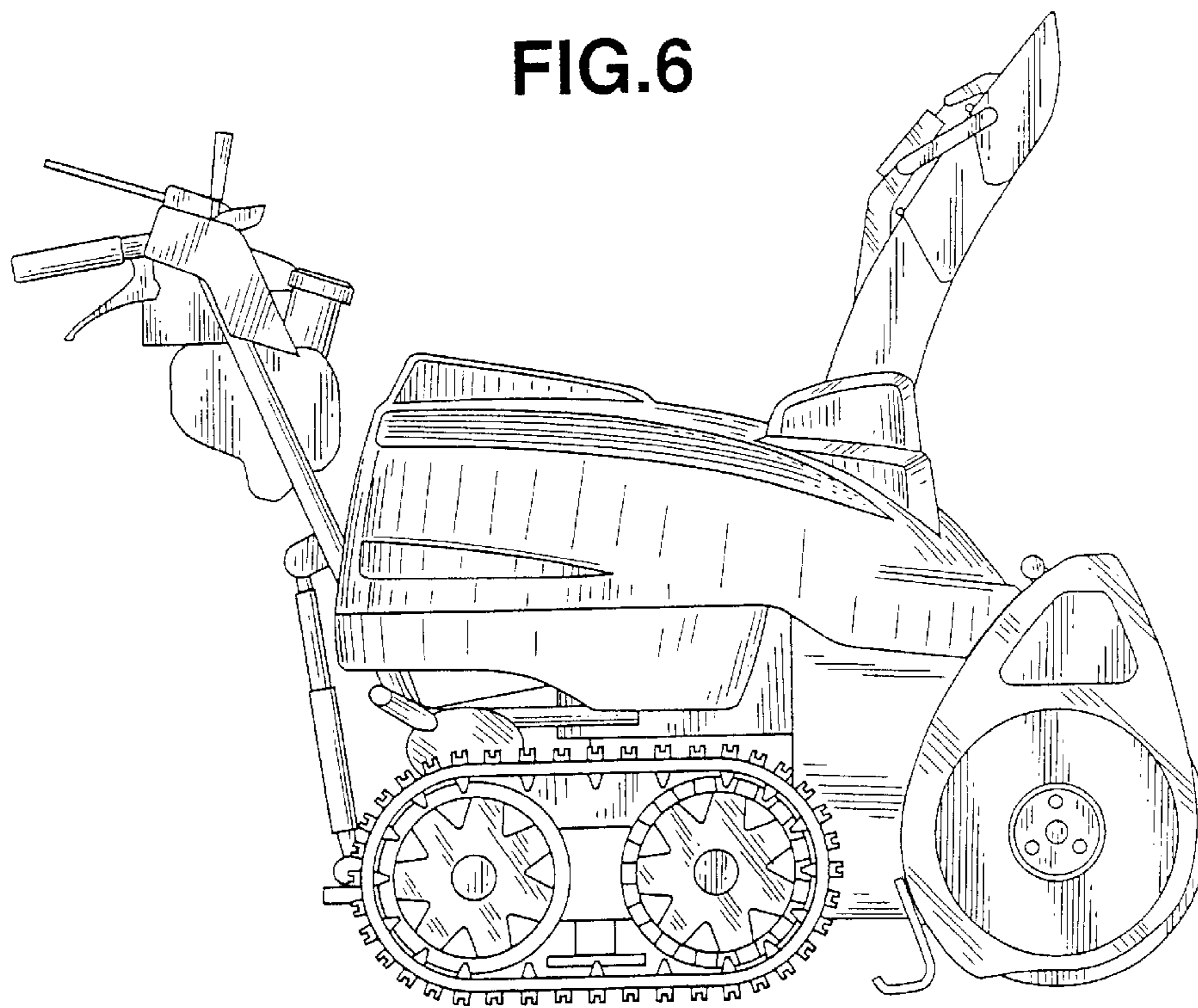


FIG.7

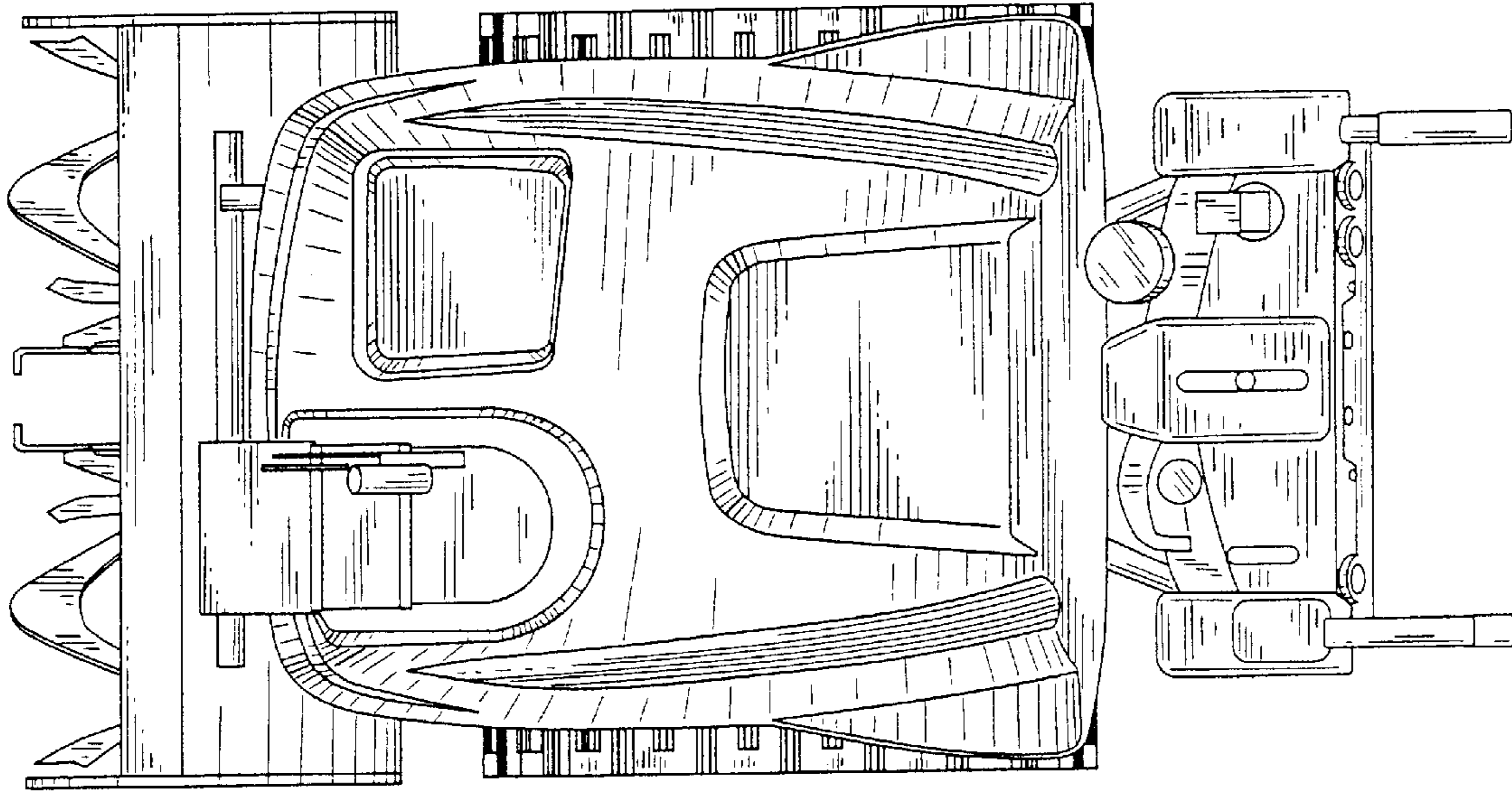


FIG.8

