

US00D498768S

(12) **United States Design Patent**
Romandy et al.

(10) **Patent No.:** **US D498,768 S**

(45) **Date of Patent:** **** Nov. 23, 2004**

(54) **NEBULIZER COMPRESSOR SYSTEM**

(75) Inventors: **Mark K. Romandy**, Midlothian, VA (US); **Anthony Ventura**, Mechanicsville, VA (US)

(73) Assignee: **PRE Holdings, Inc.**, Midlothian, VA (US)

(**) Term: **14 Years**

(21) Appl. No.: **29/191,140**

(22) Filed: **Oct. 3, 2003**

(51) **LOC (7) Cl.** **15-02**

(52) **U.S. Cl.** **D15/9**

(58) **Field of Search** D15/7-9; 417/321, 417/410, 413.1, 415, 423.3, 486, 521, 534; 415/148

(56) **References Cited**

U.S. PATENT DOCUMENTS

- 1,741,070 A * 12/1929 Oliveras 417/477.8
- D197,860 S * 3/1964 Winger D15/9
- D277,675 S * 2/1985 Hung D15/9
- D356,800 S * 3/1995 Chen D15/9

- D366,488 S * 1/1996 Alfano et al. D15/9
- D453,168 S * 1/2002 Chou D15/7
- D465,791 S * 11/2002 Moan D15/7

* cited by examiner

Primary Examiner—Ralf Seifert

(74) *Attorney, Agent, or Firm*—McGuire Woods LLP

(57) **CLAIM**

We claim the ornamental design for nebulizer compressor system, as shown and described in the following Figures.

DESCRIPTION

FIG. 1 is a perspective view of the nebulizer compressor system.

FIG. 2 is a front view of the nebulizer compressor system.

FIG. 3 is a back view of the nebulizer compressor system.

FIG. 4 is a top view of the nebulizer compressor system.

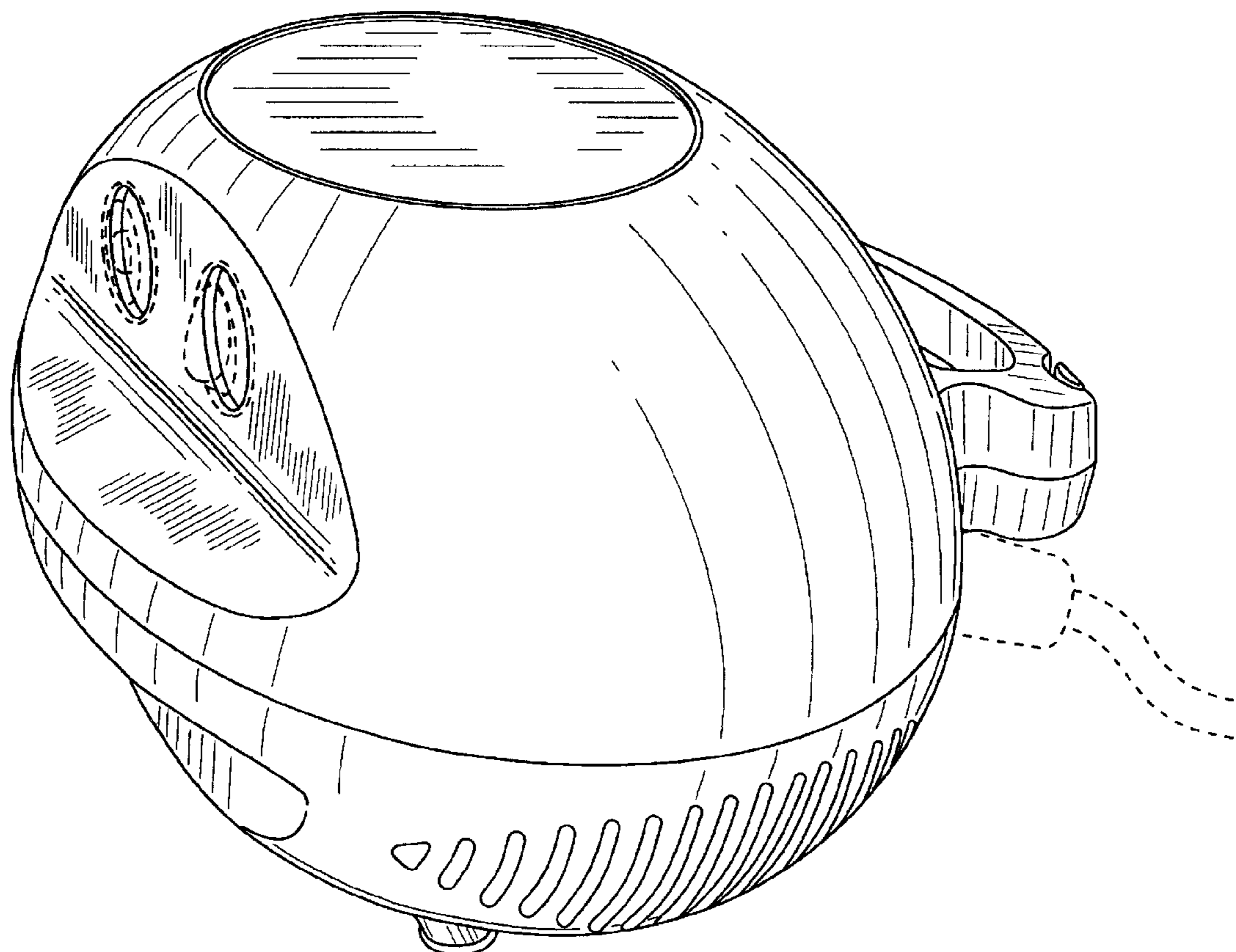
FIG. 5 is a bottom view of the nebulizer compressor system.

FIG. 6 is a right side view of the nebulizer compressor system; and,

FIG. 7 is a left side view of the nebulizer compressor system.

It being understood that the broken lines are for illustrative purposes only and form no part of the claimed design.

1 Claim, 6 Drawing Sheets



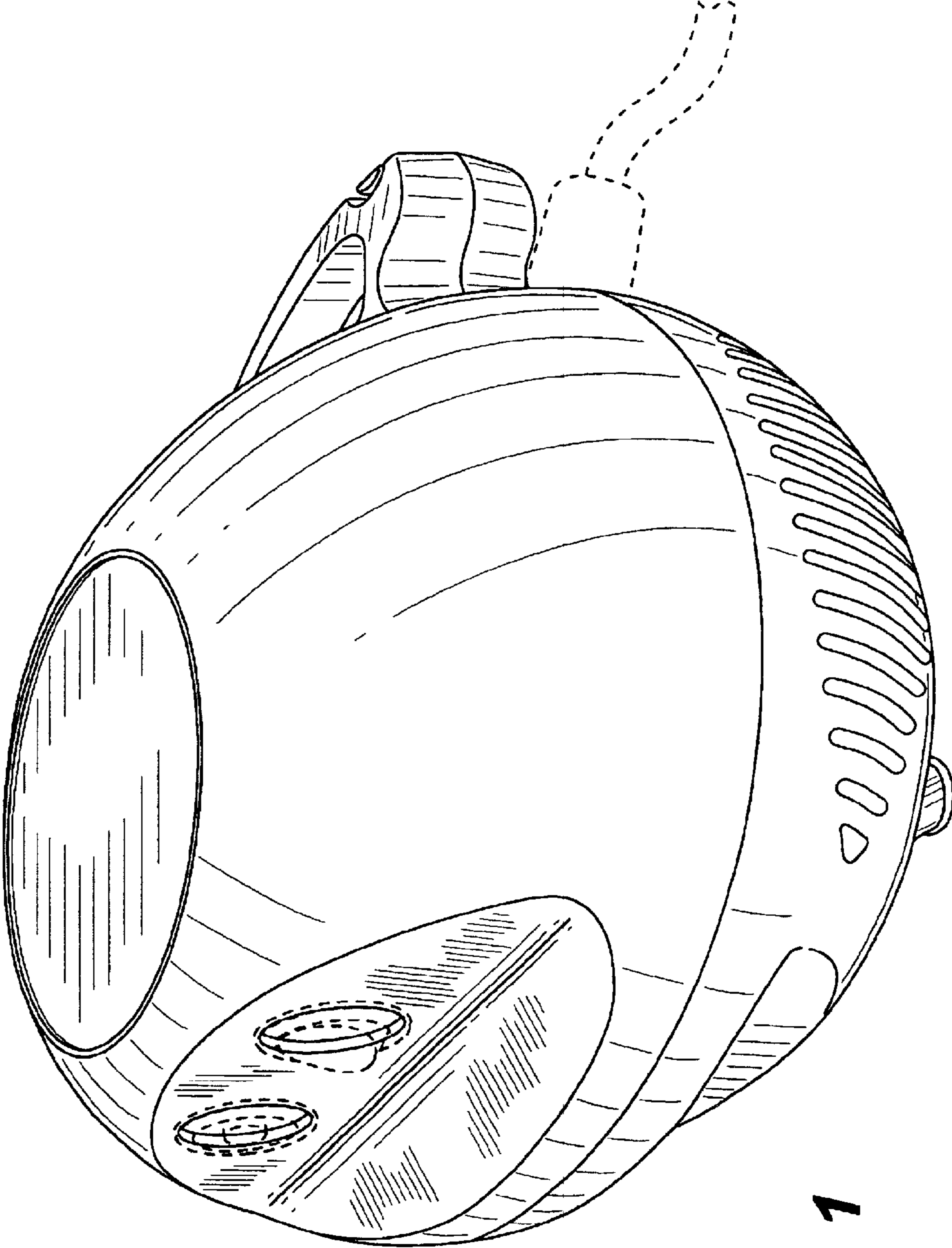


FIG. 1

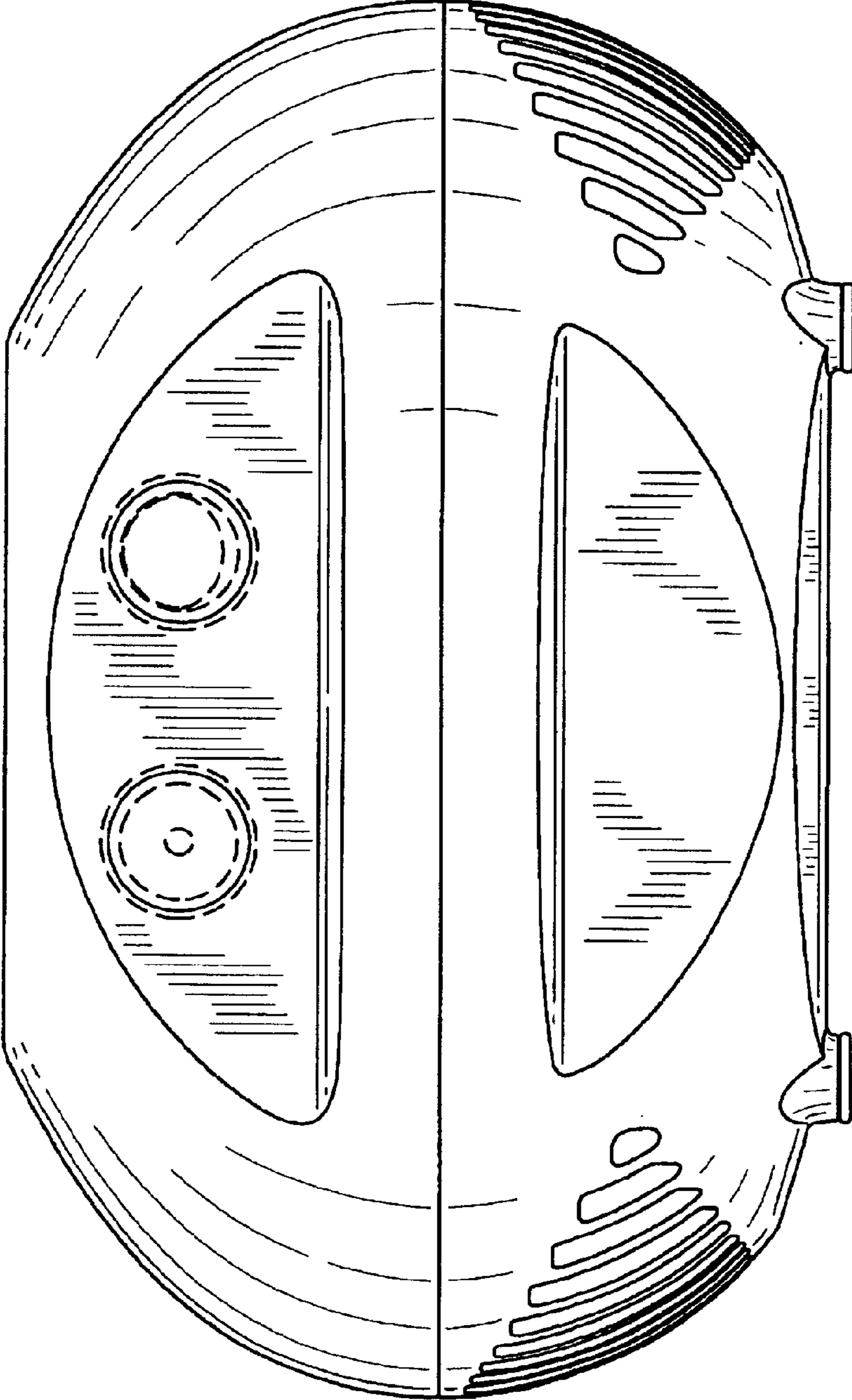


FIG. 2

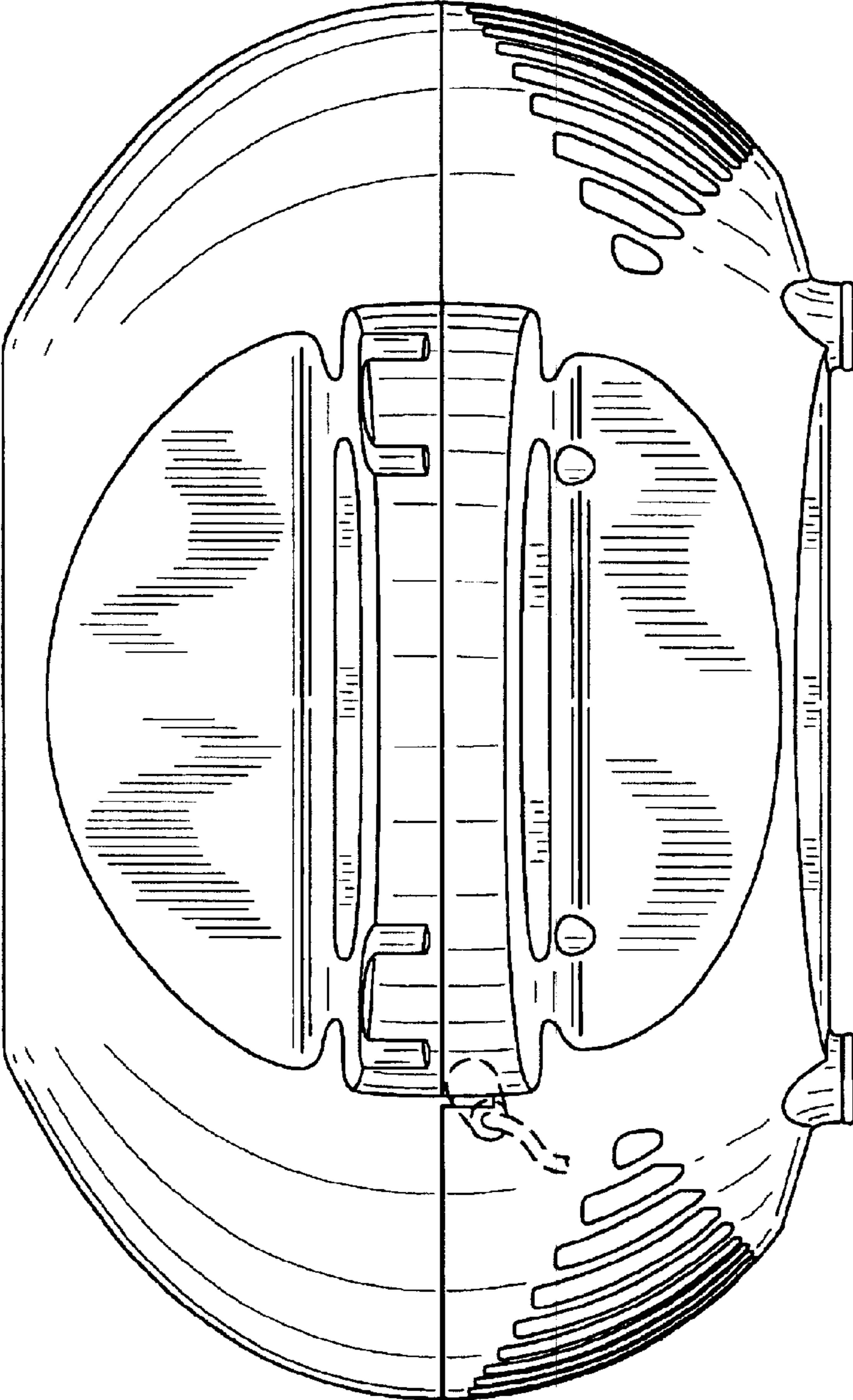


FIG. 3

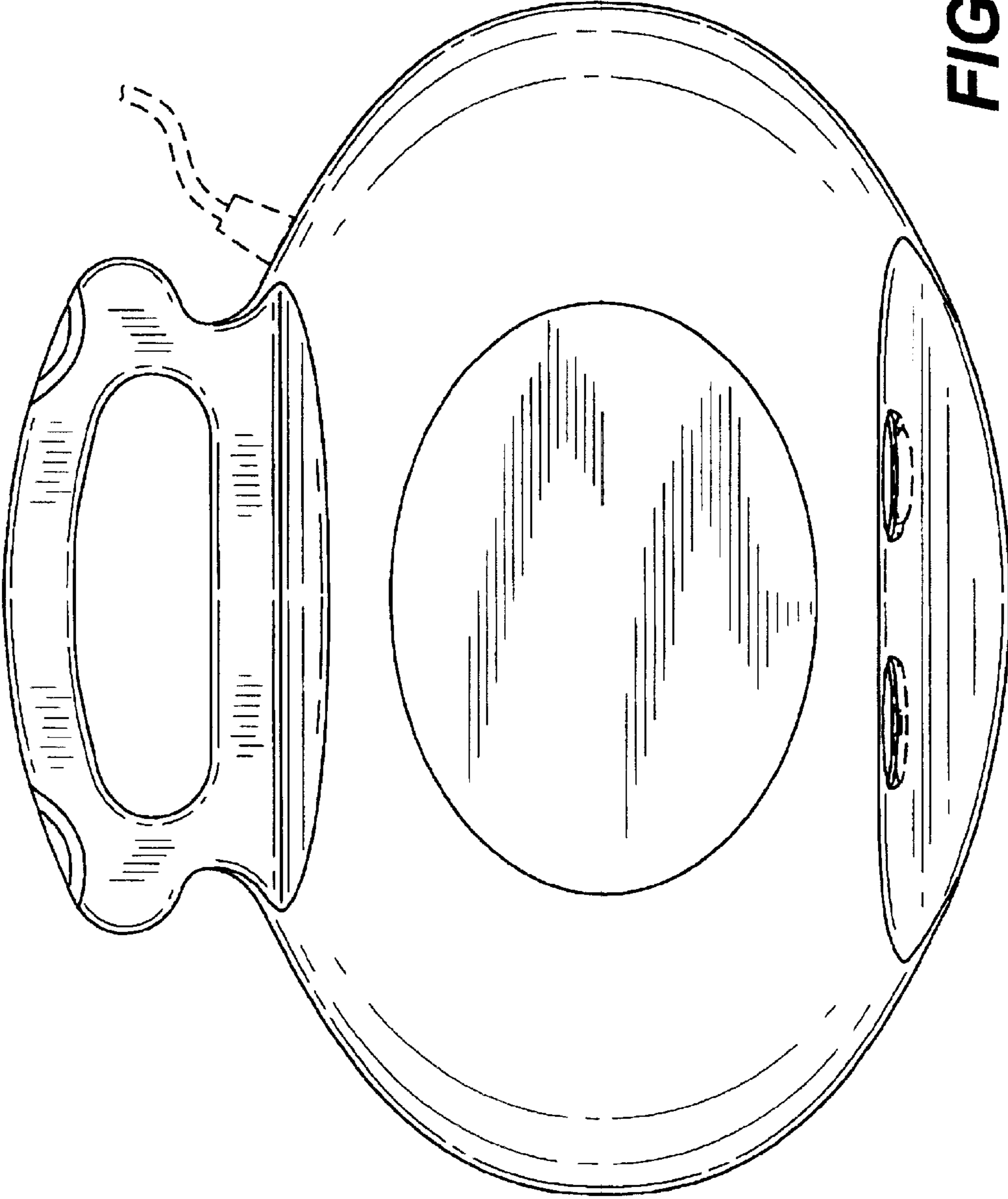


FIG. 4

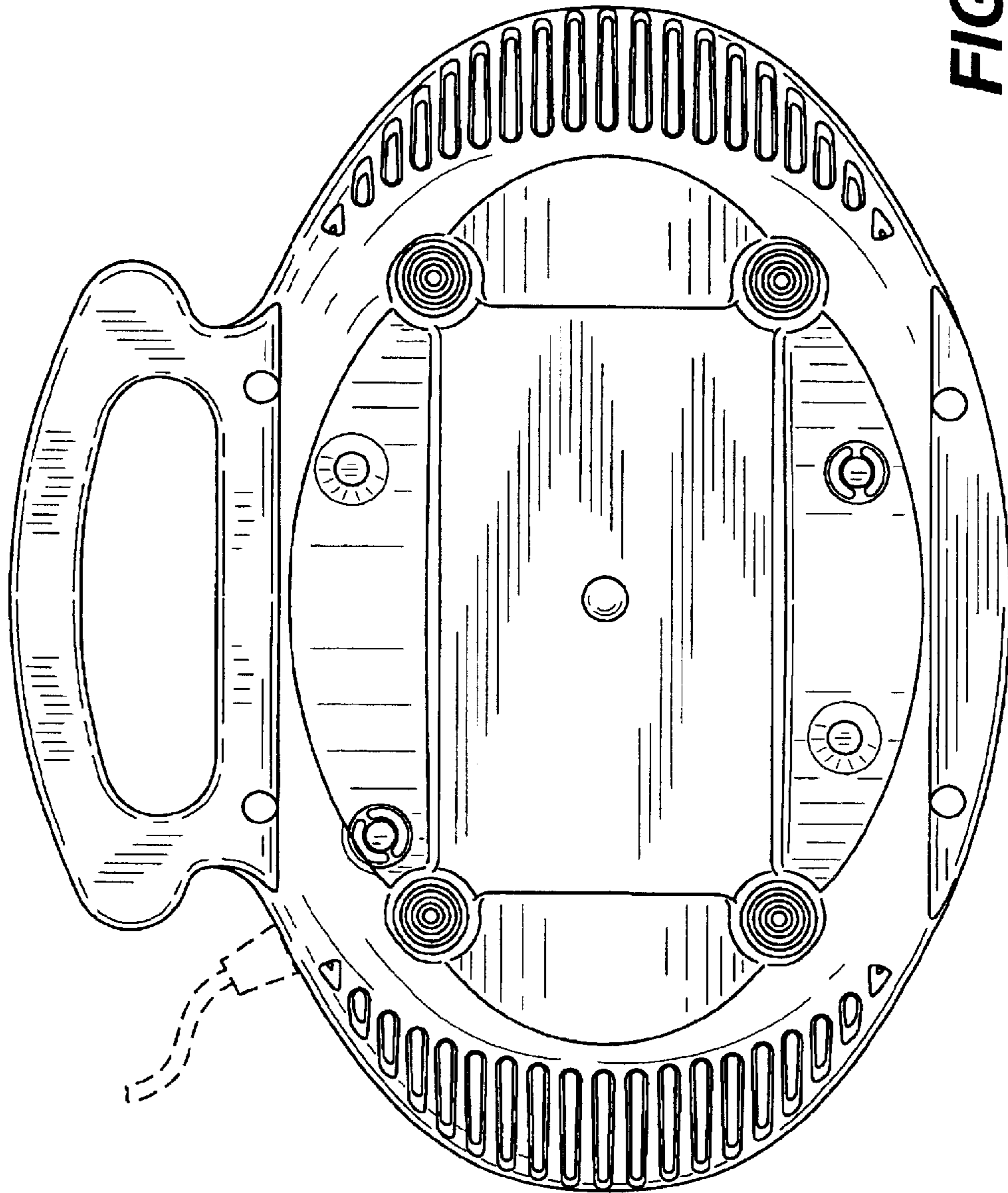
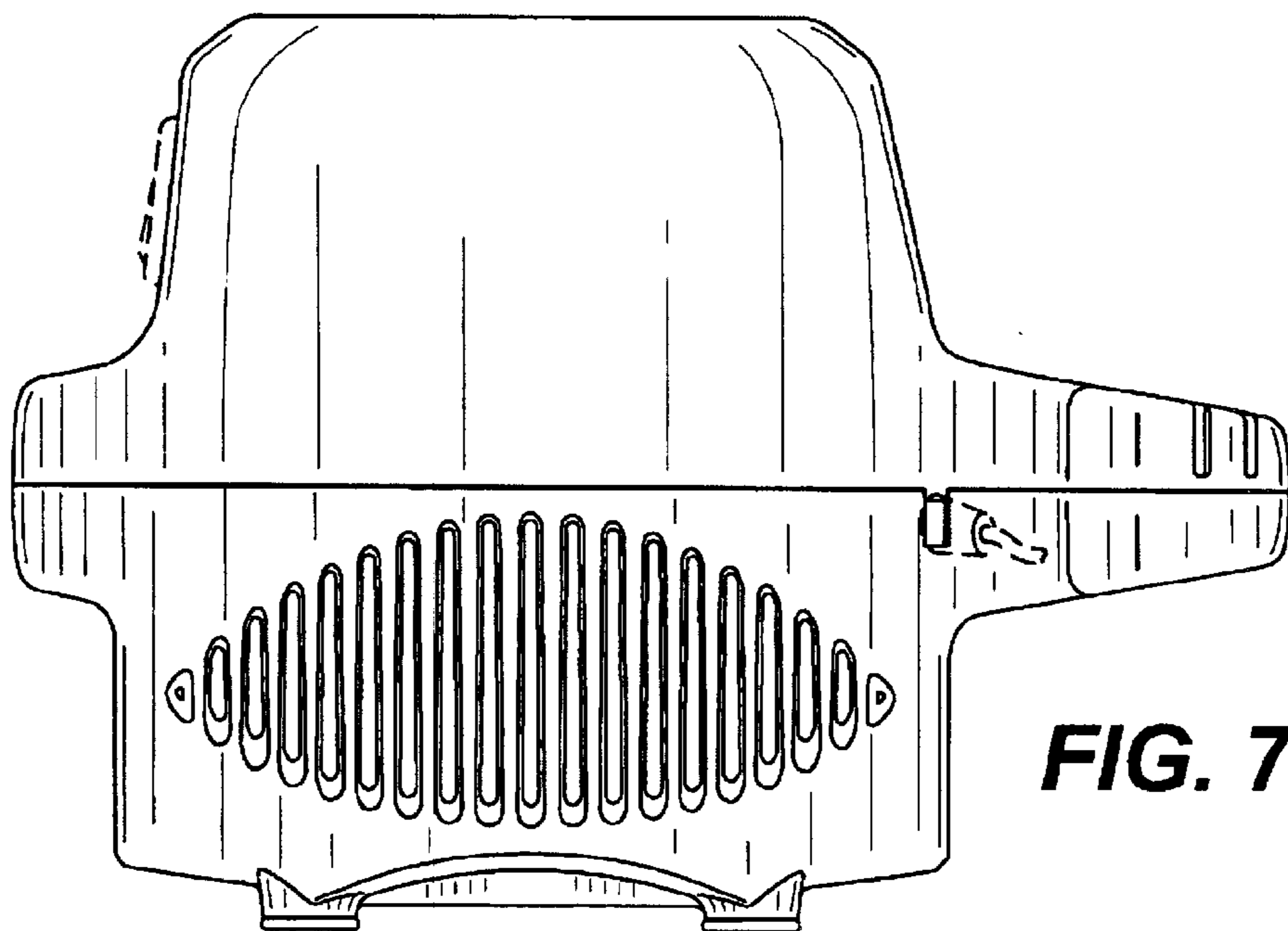
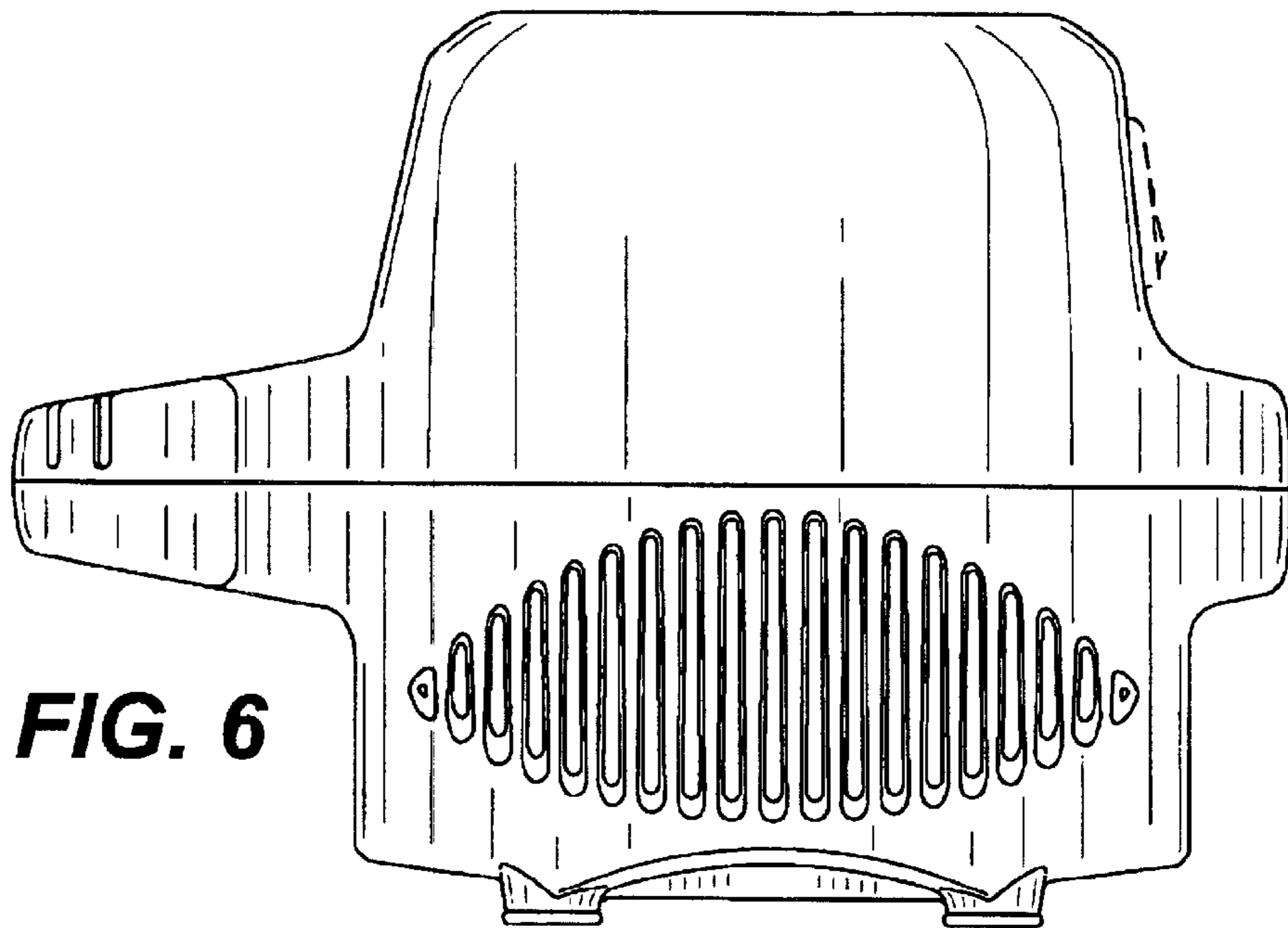


FIG. 5



UNITED STATES PATENT AND TRADEMARK OFFICE
CERTIFICATE OF CORRECTION

PATENT NO. : Des. 498,768 S
DATED : November 23, 2004
INVENTOR(S) : Mark K. Romandy et al.

Page 1 of 1

It is certified that error appears in the above-identified patent and that said Letters Patent is hereby corrected as shown below:

Title page.

Item [73], Assignee, correct "**PRE Holdings, Inc.**" to -- **PRE Holding, Inc.** --

Signed and Sealed this

Twelfth Day of April, 2005

A handwritten signature in black ink on a dotted background. The signature reads "Jon W. Dudas" in a cursive style.

JON W. DUDAS

Director of the United States Patent and Trademark Office