

US00D498767S

(12) **United States Design Patent**
Chou

(10) **Patent No.:** **US D498,767 S**

(45) **Date of Patent:** **** Nov. 23, 2004**

(54) **AIR COMPRESSOR**

(76) **Inventor:** **Wen-San Chou**, No. 1-25, Kang Wei Village, An-Din Hsiang, Tainan Hsien (TW)

(**) **Term:** **14 Years**

(21) **Appl. No.:** **29/199,505**

(22) **Filed:** **Feb. 18, 2004**

(51) **LOC (7) Cl.** **15-02**

(52) **U.S. Cl.** **D15/7**

(58) **Field of Search** D15/7-9; 417/321, 417/410, 413.1, 415, 423.3, 486, 521, 534; 415/148

(56) **References Cited**

U.S. PATENT DOCUMENTS

D395,050 S	*	6/1998	Wong	D15/9
D398,011 S	*	9/1998	Wang	D15/9
D409,627 S	*	5/1999	Wang	D15/9
D436,602 S	*	1/2001	Wang	D15/9

D470,865 S	*	2/2003	Wang	D15/9
D471,209 S	*	3/2003	Wang	D15/9
D480,093 S	*	9/2003	Attolini	D15/9
D492,326 S	*	6/2004	Hsiao	D15/9

* cited by examiner

Primary Examiner—Ralf Seifert

(74) *Attorney, Agent, or Firm*—Bacon & Thomas PLLC

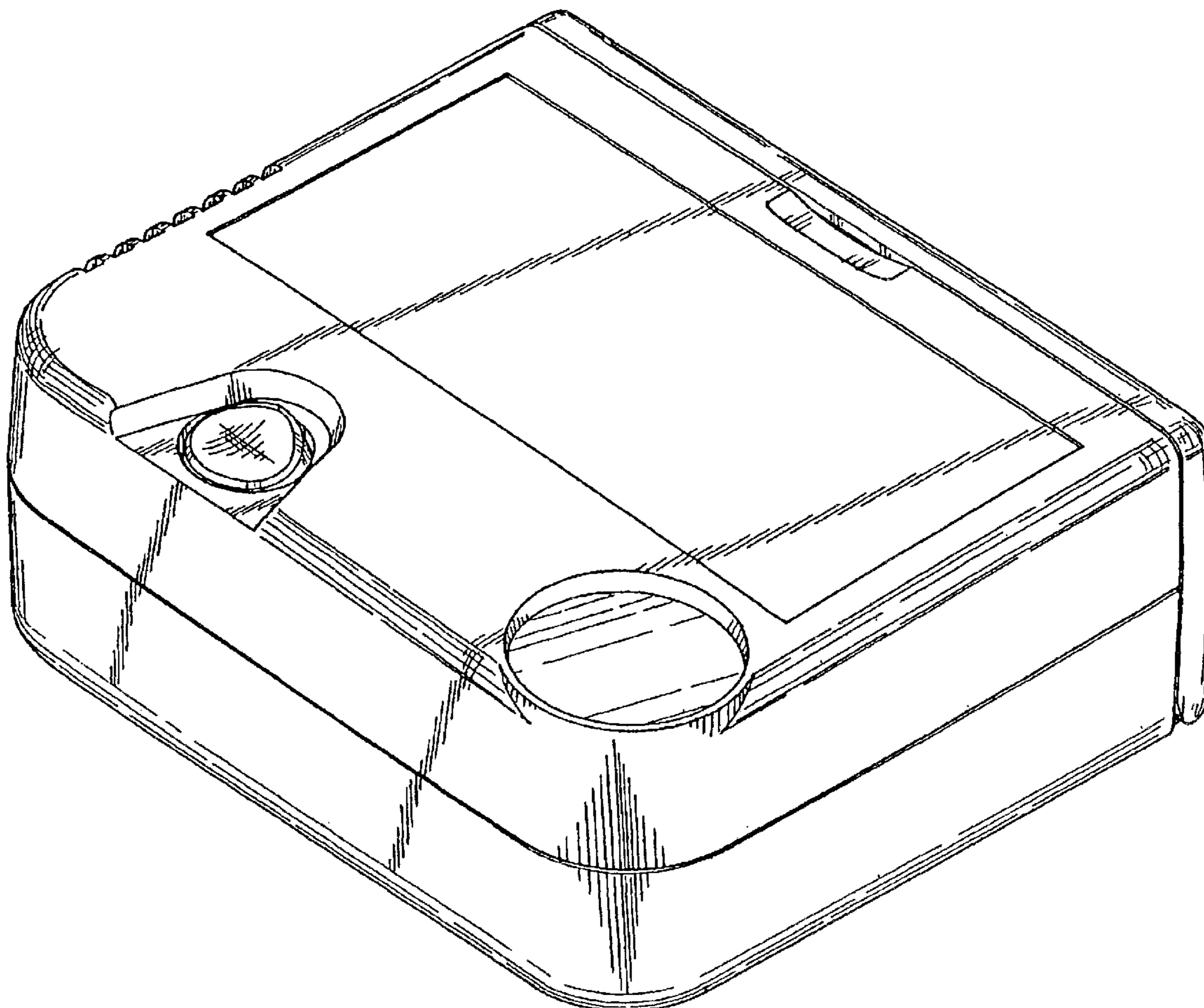
(57) **CLAIM**

The ornamental design for a air compressor, as shown.

DESCRIPTION

FIG. 1 is a perspective view of a air compressor showing my new design thereof;
FIG. 2 is a front elevational view thereof;
FIG. 3 is a rear elevational view thereof;
FIG. 4 is a left side elevational view thereof;
FIG. 5 is a right side elevational view thereof;
FIG. 6 is a top plan view thereof; and,
FIG. 7 is a bottom plan view thereof.

1 Claim, 4 Drawing Sheets



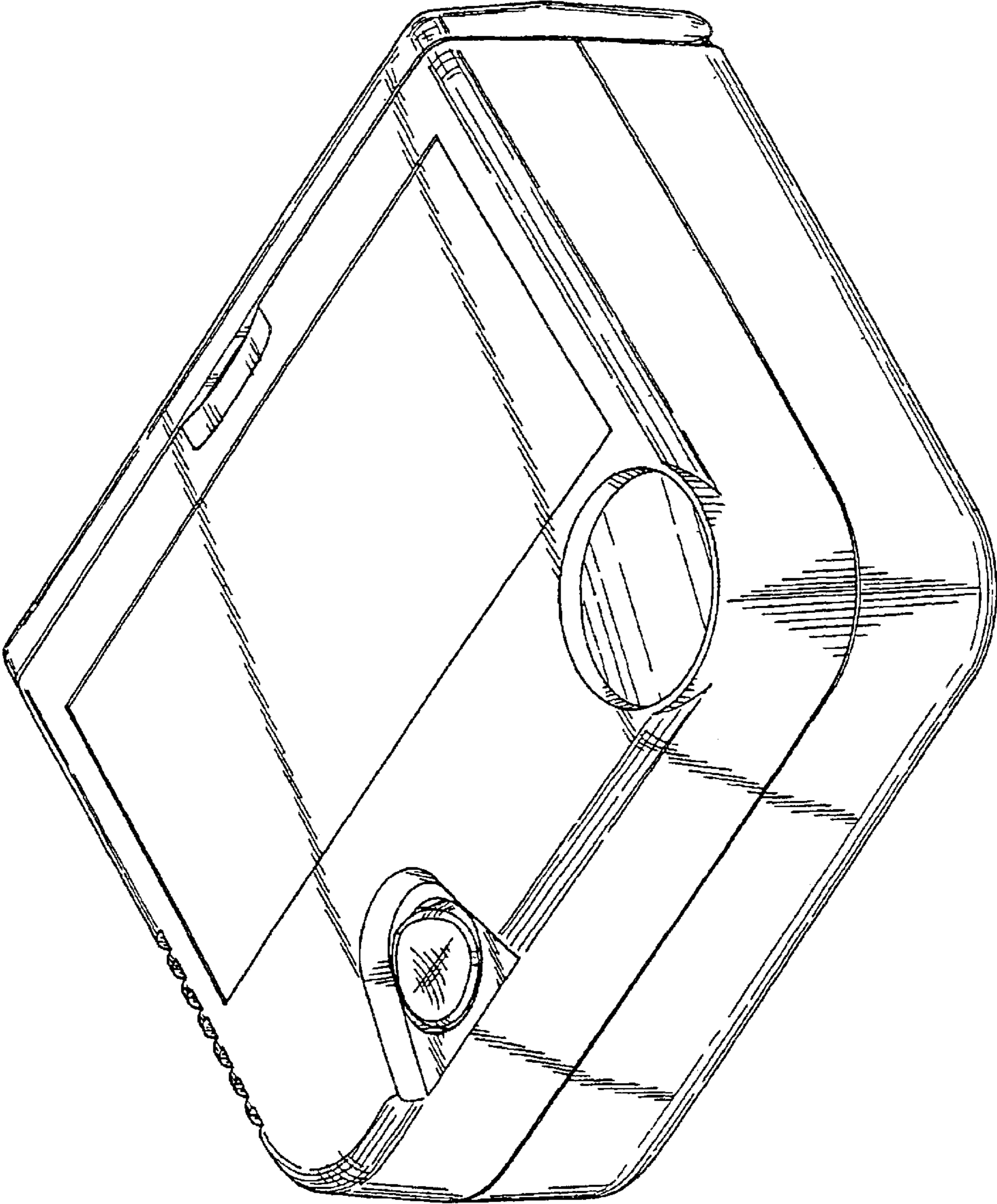


FIG. 1

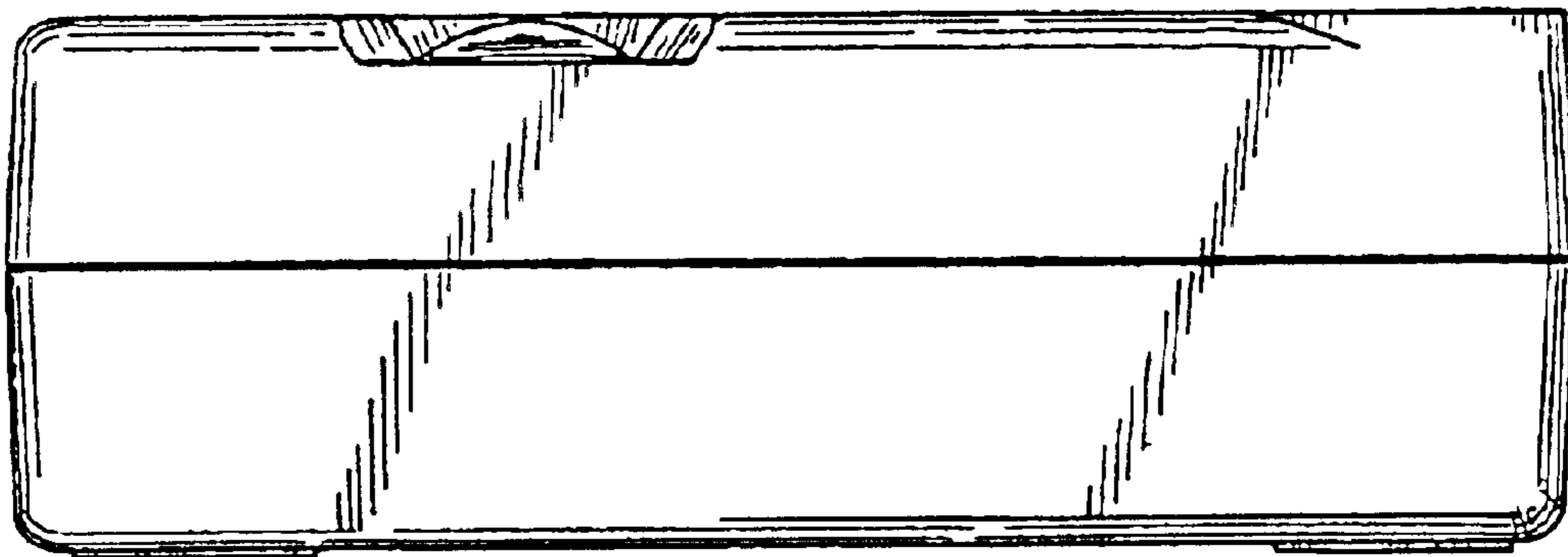


FIG. 2

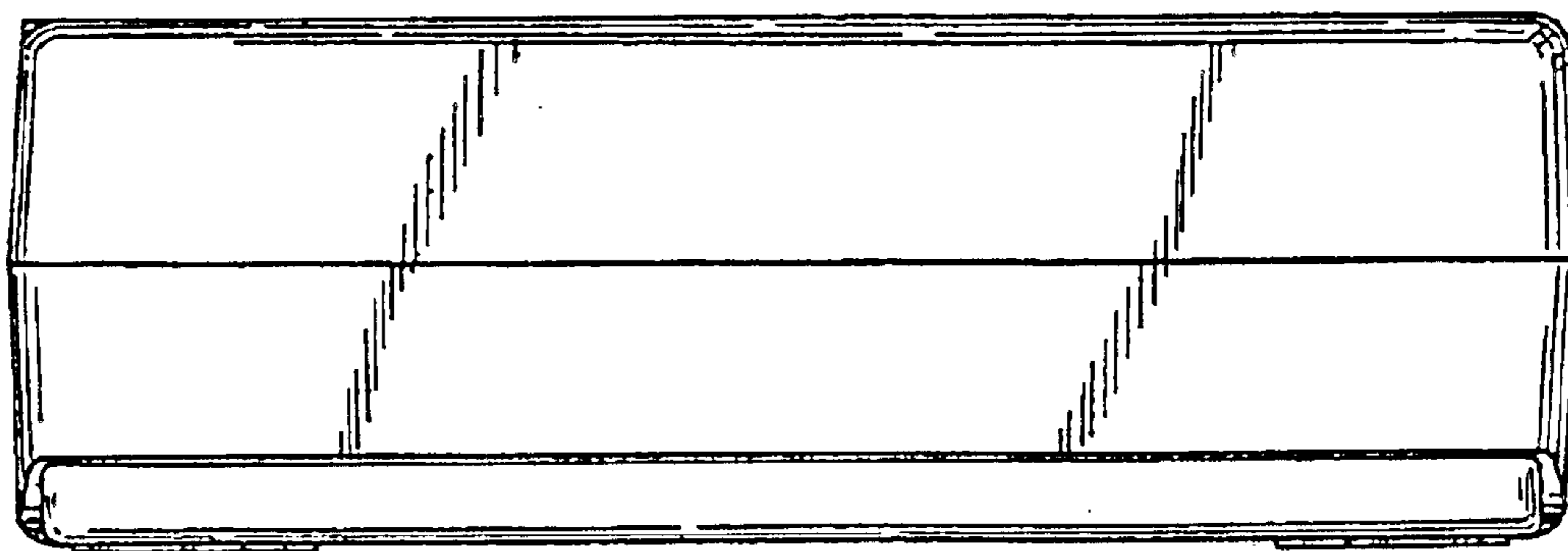


FIG. 3

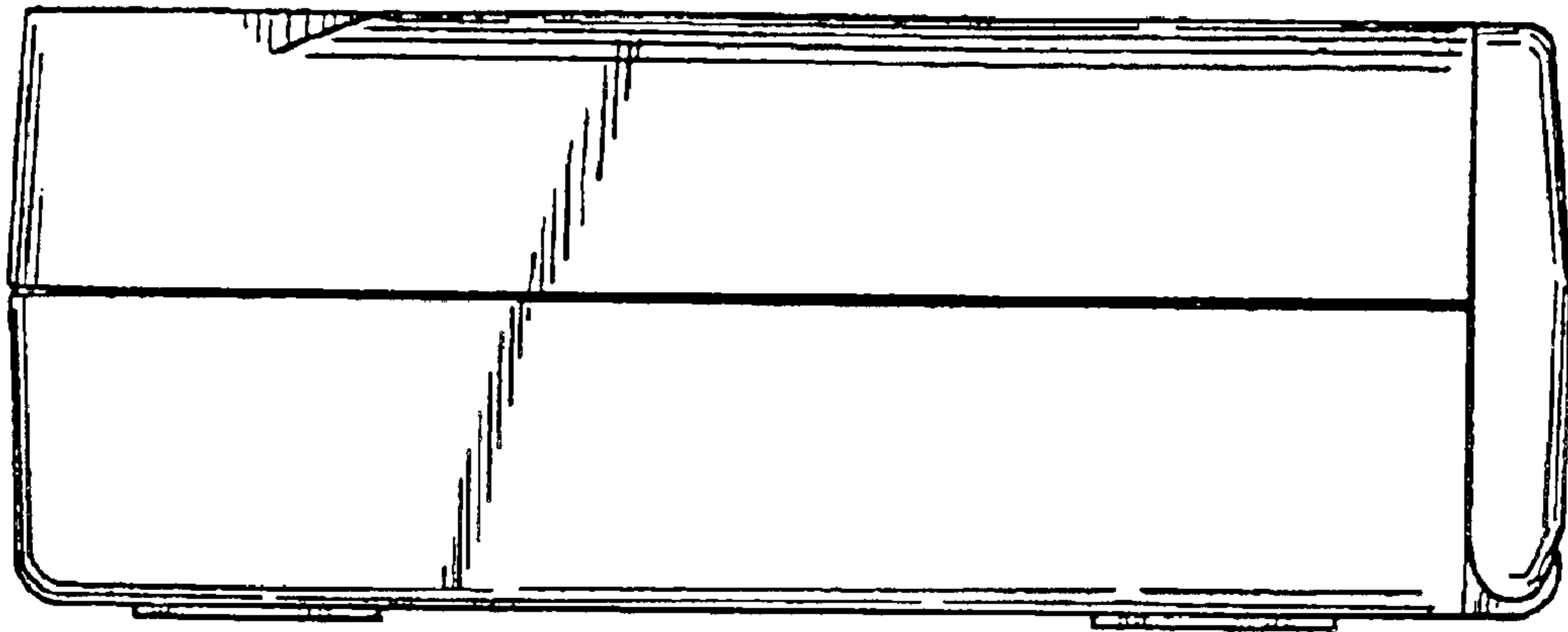


FIG. 5

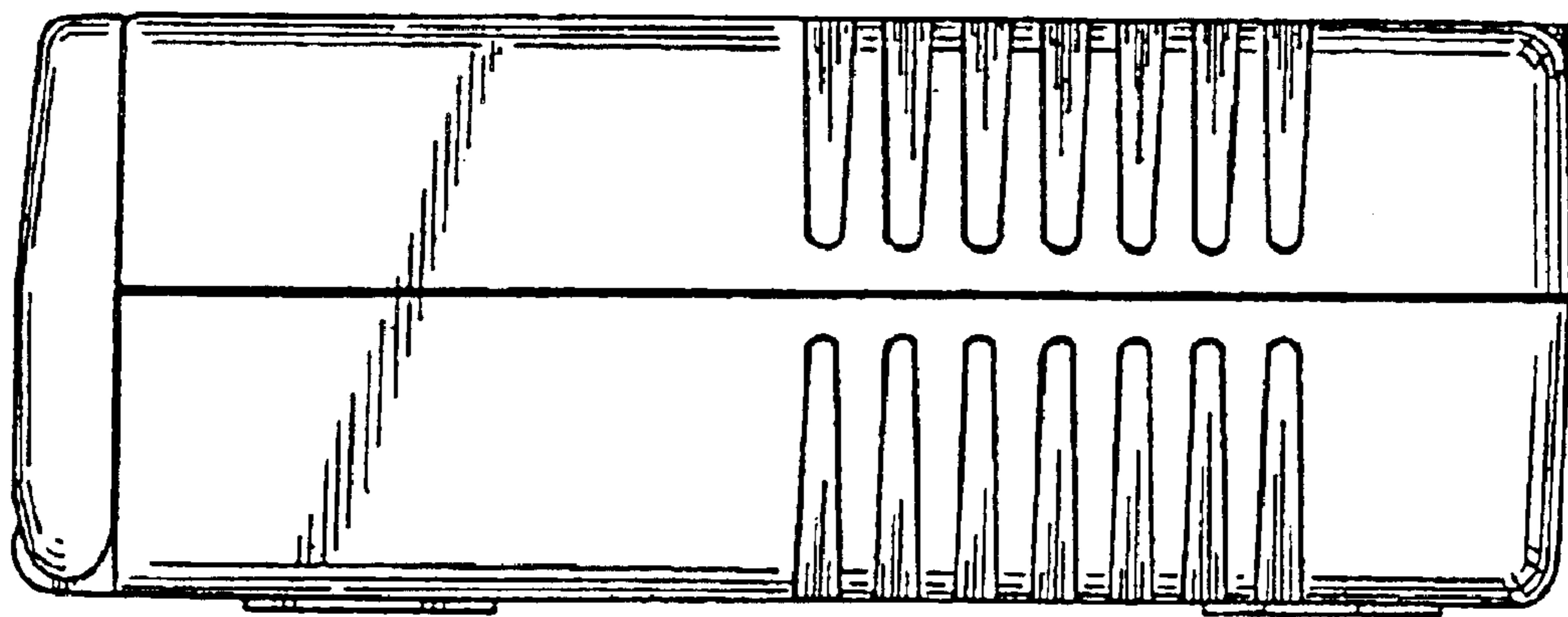


FIG. 4

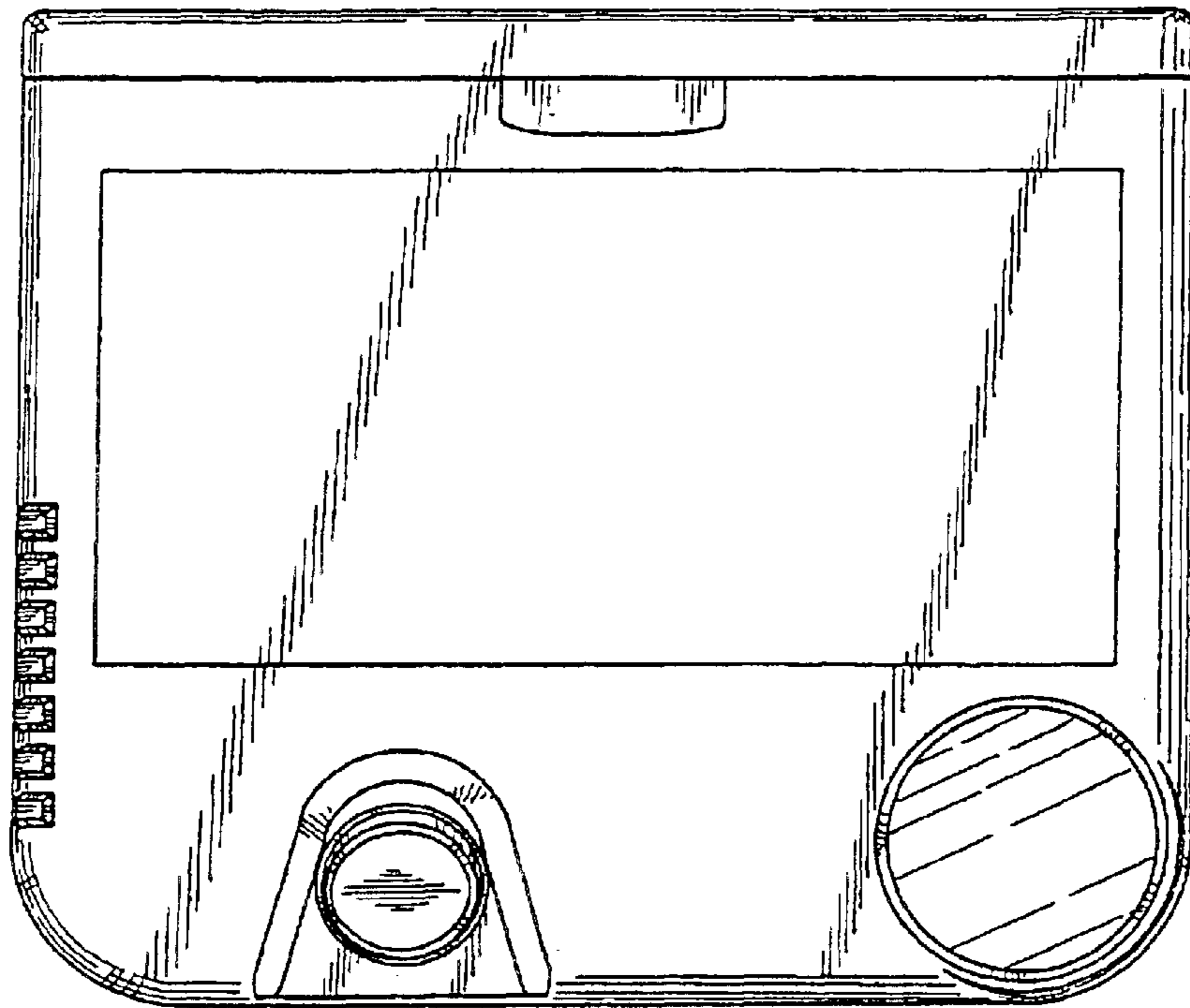


FIG. 6

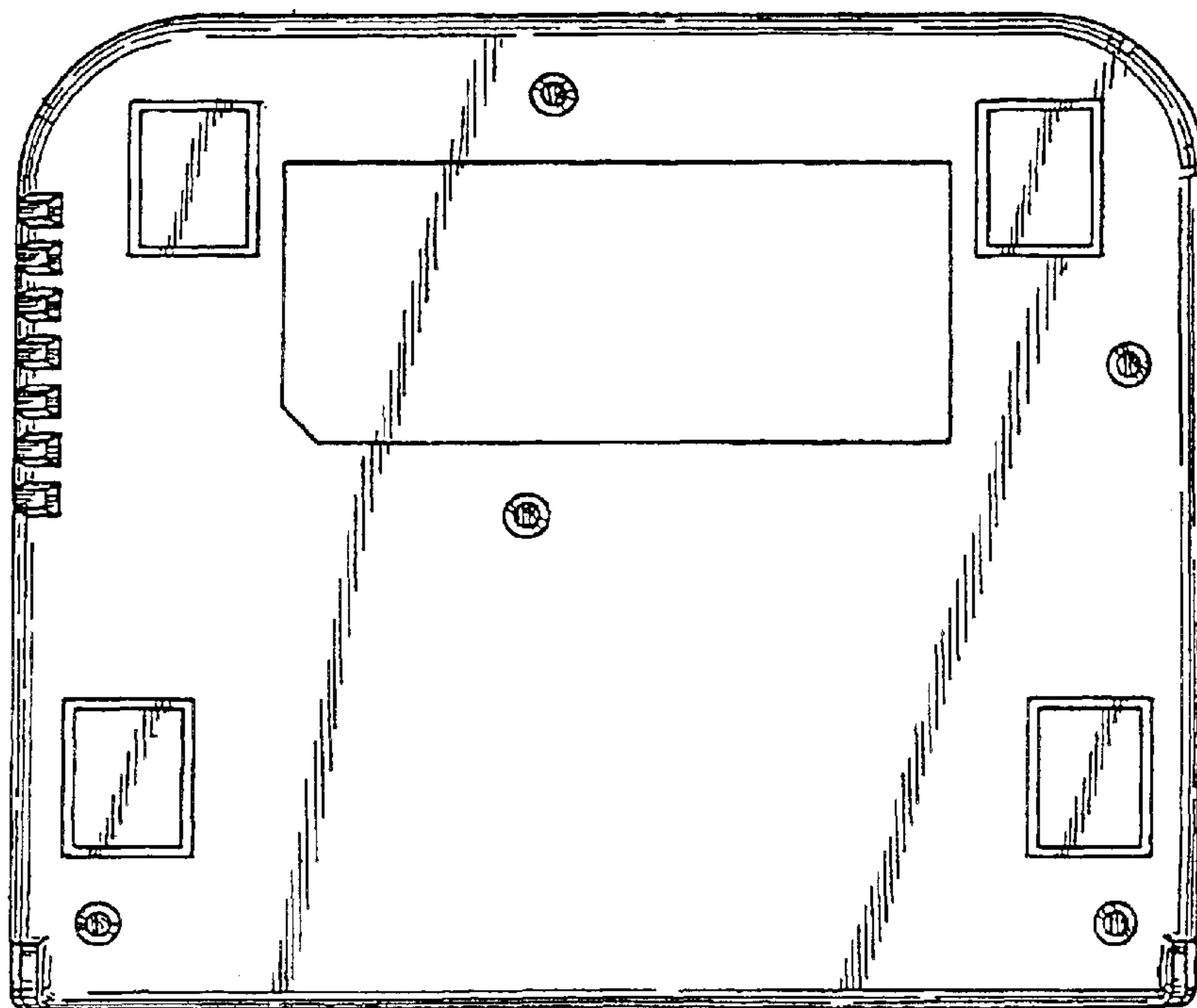


FIG. 7