



US00D498766S

(12) **United States Design Patent**  
**Iwata**

(10) **Patent No.:** **US D498,766 S**  
(45) **Date of Patent:** **\*\* Nov. 23, 2004**

(54) **DIAPHRAGM PUMP**

D365,569 S \* 12/1995 Kieffer ..... D15/7  
D382,277 S \* 8/1997 Feitel et al. .... D15/7

(75) Inventor: **Tomoyuki Iwata**, Ibaraki (JP)

\* cited by examiner

(73) Assignee: **SMC Corporation**, Tokyo (JP)

*Primary Examiner*—Ralf Seifert

(\*\*) Term: **14 Years**

(74) *Attorney, Agent, or Firm*—Yokoi & Co., U.S.A. Inc.;  
Hisako Muramatsu, Esq.

(21) Appl. No.: **29/198,979**

(57) **CLAIM**

(22) Filed: **Feb. 6, 2004**

The ornamental design for a diaphragm pump, as shown and described.

(30) **Foreign Application Priority Data**

Aug. 7, 2003 (JP) ..... 2003-023020

**DESCRIPTION**

(51) **LOC (7) Cl.** ..... **15-02**

FIG. 1 shows a front view of a diaphragm pump showing my new design;

(52) **U.S. Cl.** ..... **D15/7**

FIG. 2 shows a top view thereof;

(58) **Field of Search** ..... D15/7-9; 417/321,  
417/410, 413.1, 415, 423.3, 486, 521, 534;  
415/148

FIG. 3 shows a bottom view thereof;

FIG. 4 shows a right side view thereof

FIG. 5 shows a left side view thereof;

FIG. 6 shows an inside view thereof taken along line 6—6 on FIG. 1; and,

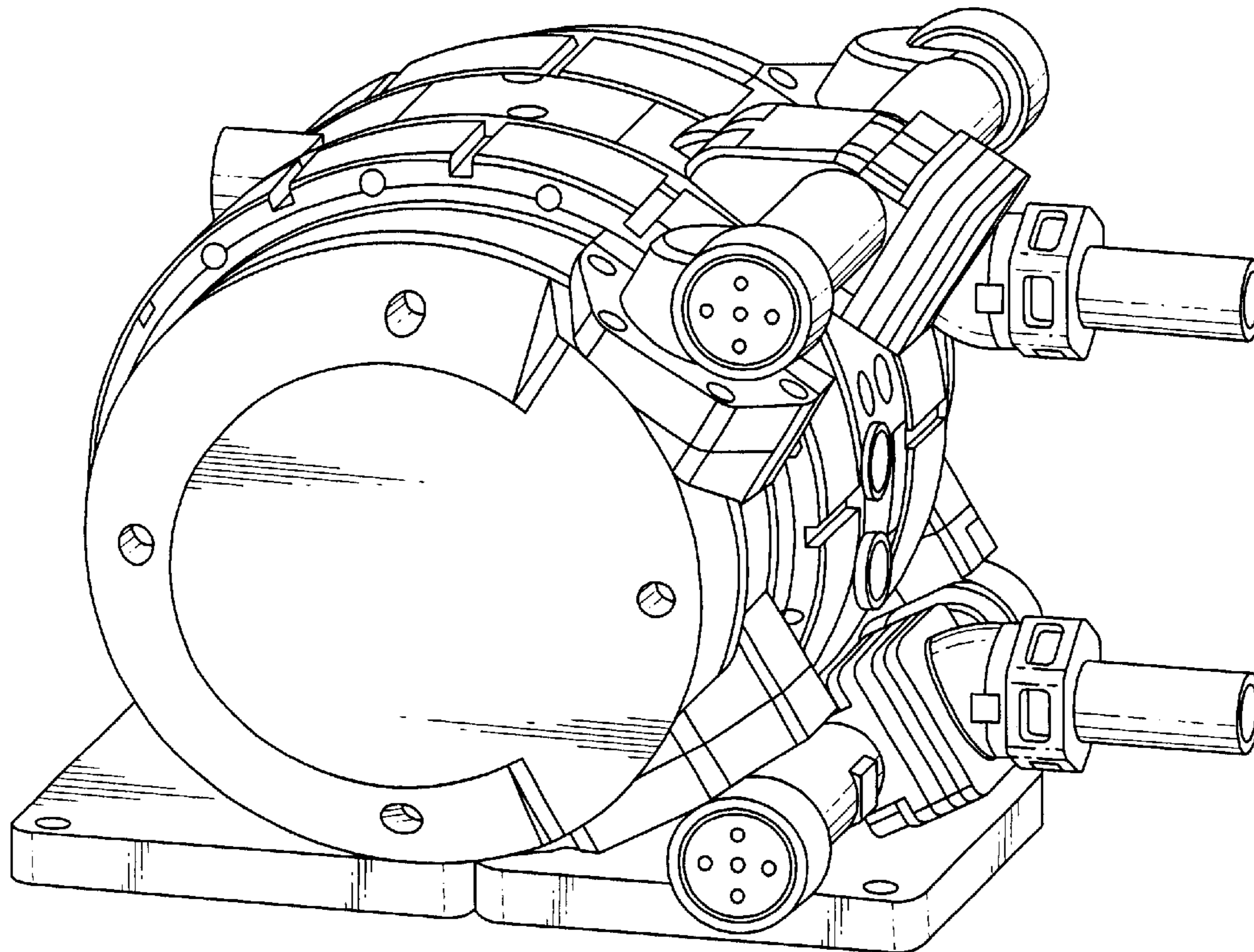
FIG. 7 shows a perspective view thereof.

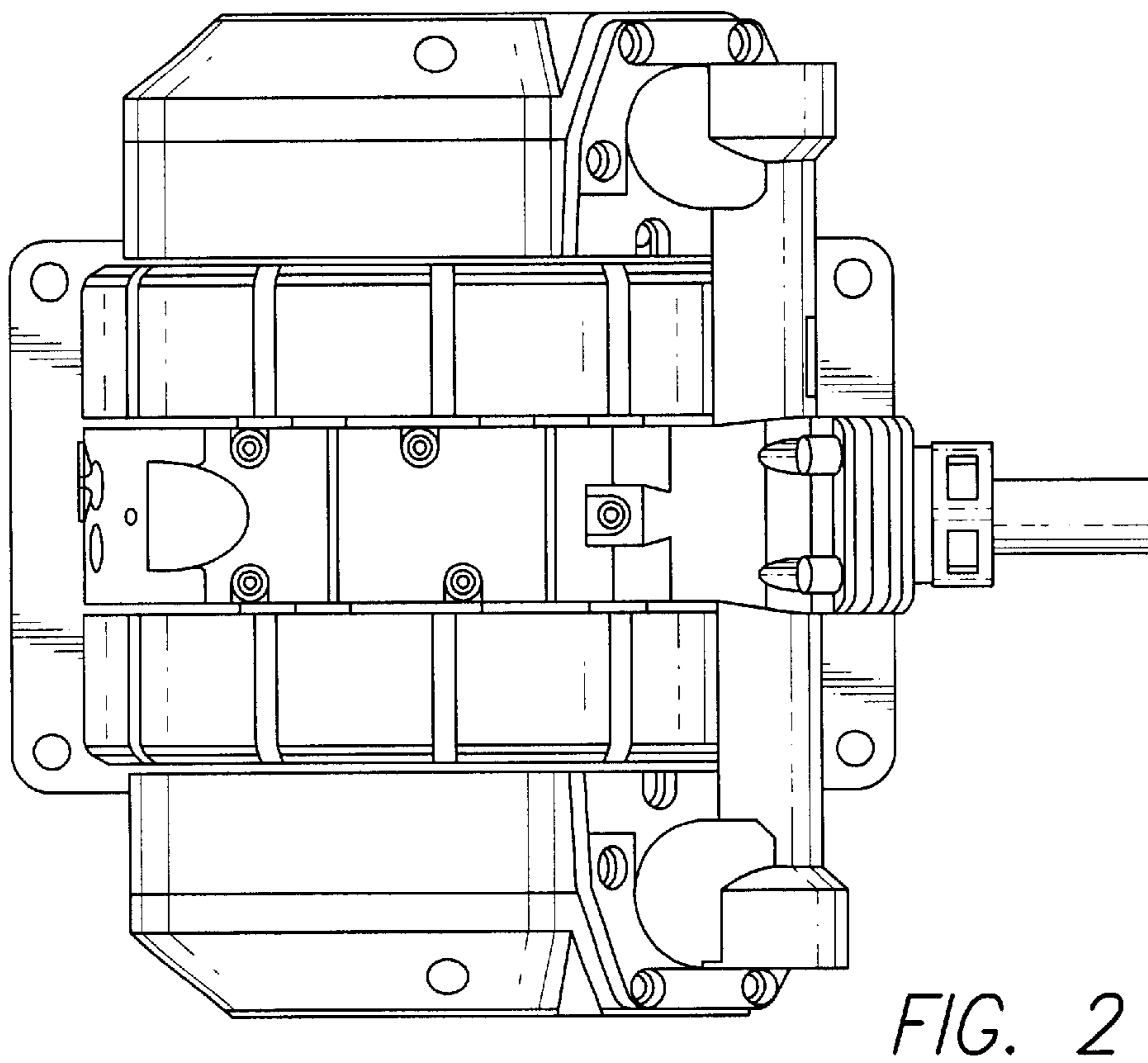
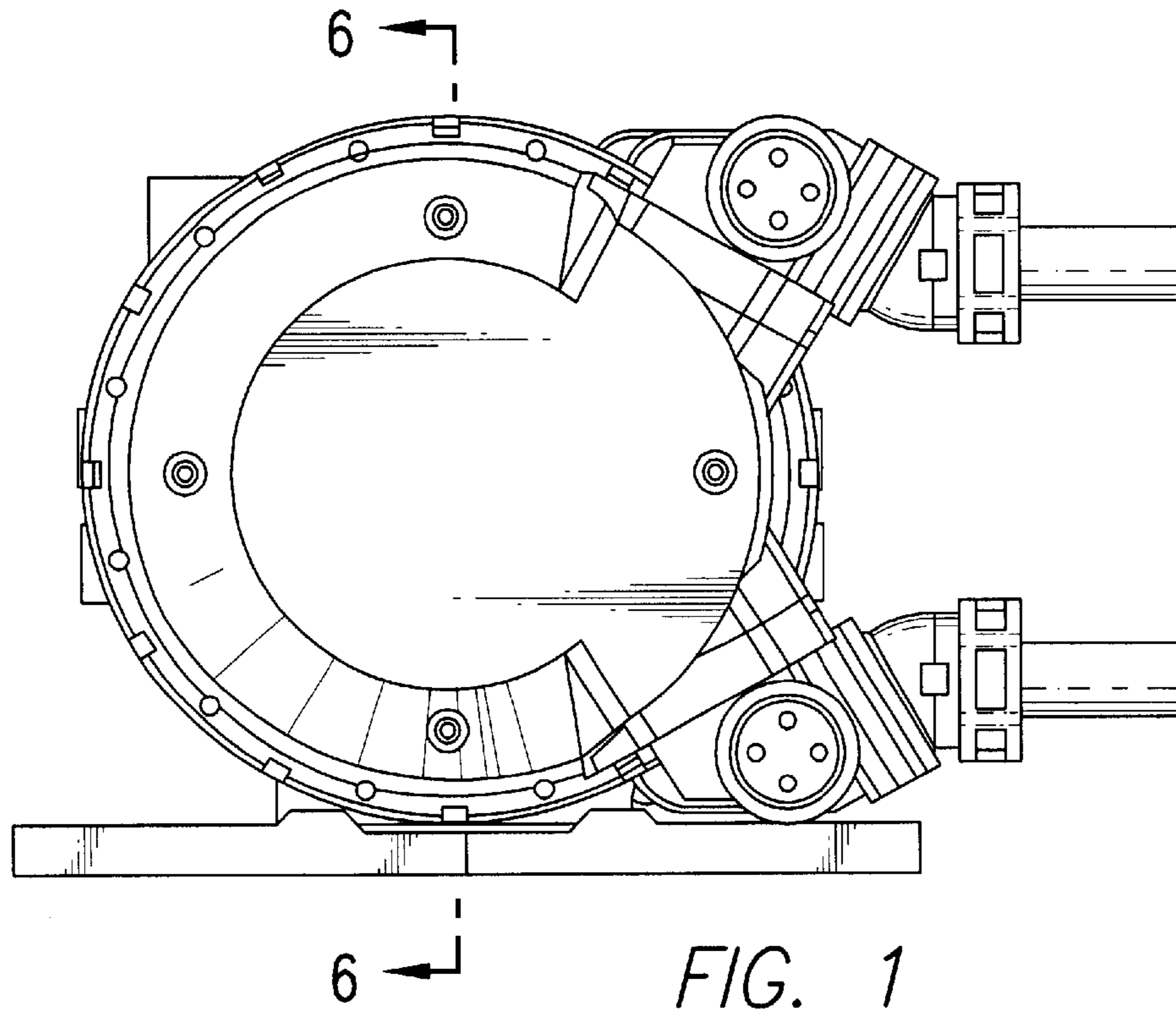
(56) **References Cited**

**U.S. PATENT DOCUMENTS**

D275,858 S \* 10/1984 Wilden ..... D15/7  
D331,412 S \* 12/1992 Wilden ..... D15/7

**1 Claim, 4 Drawing Sheets**





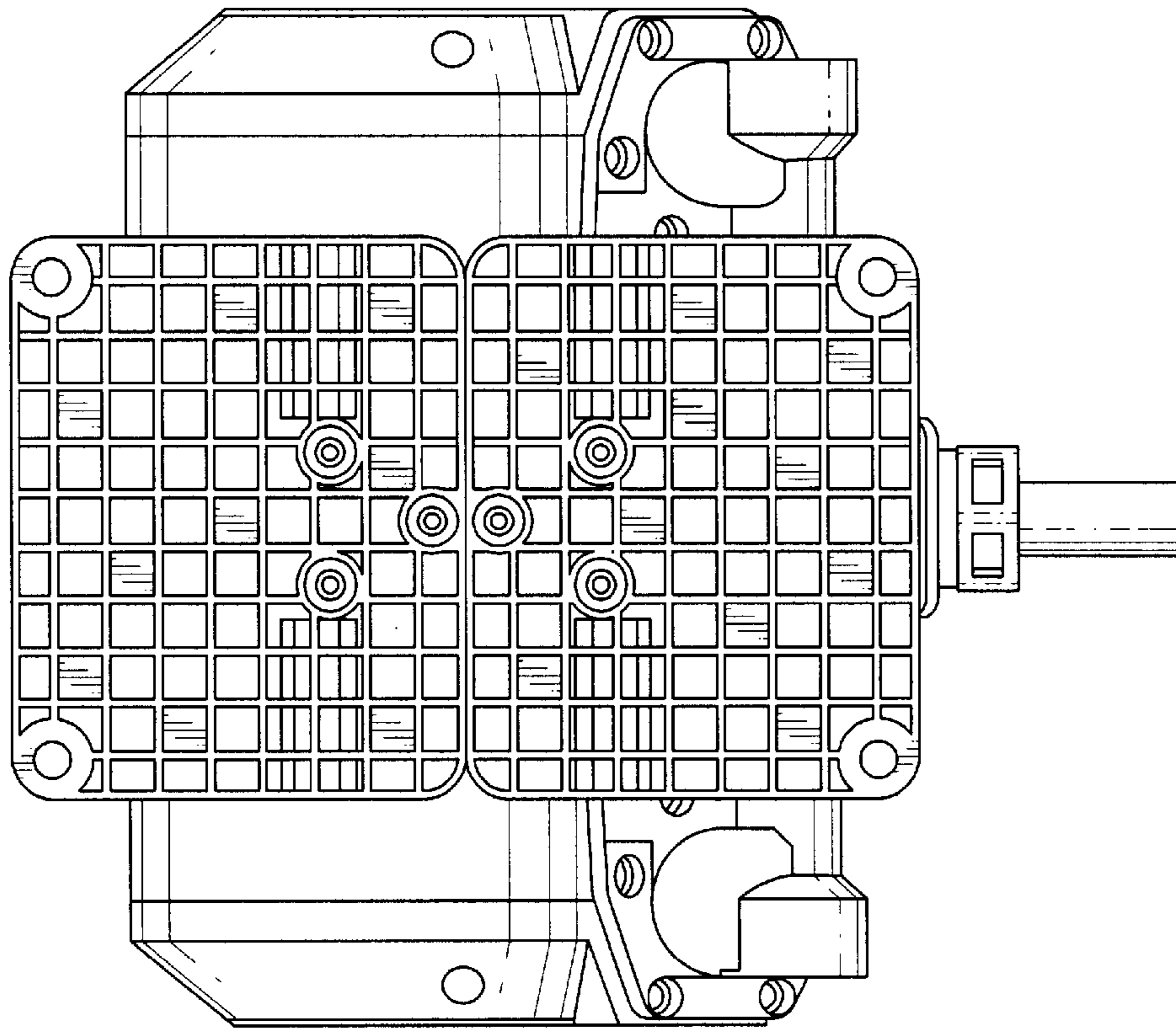


FIG. 3

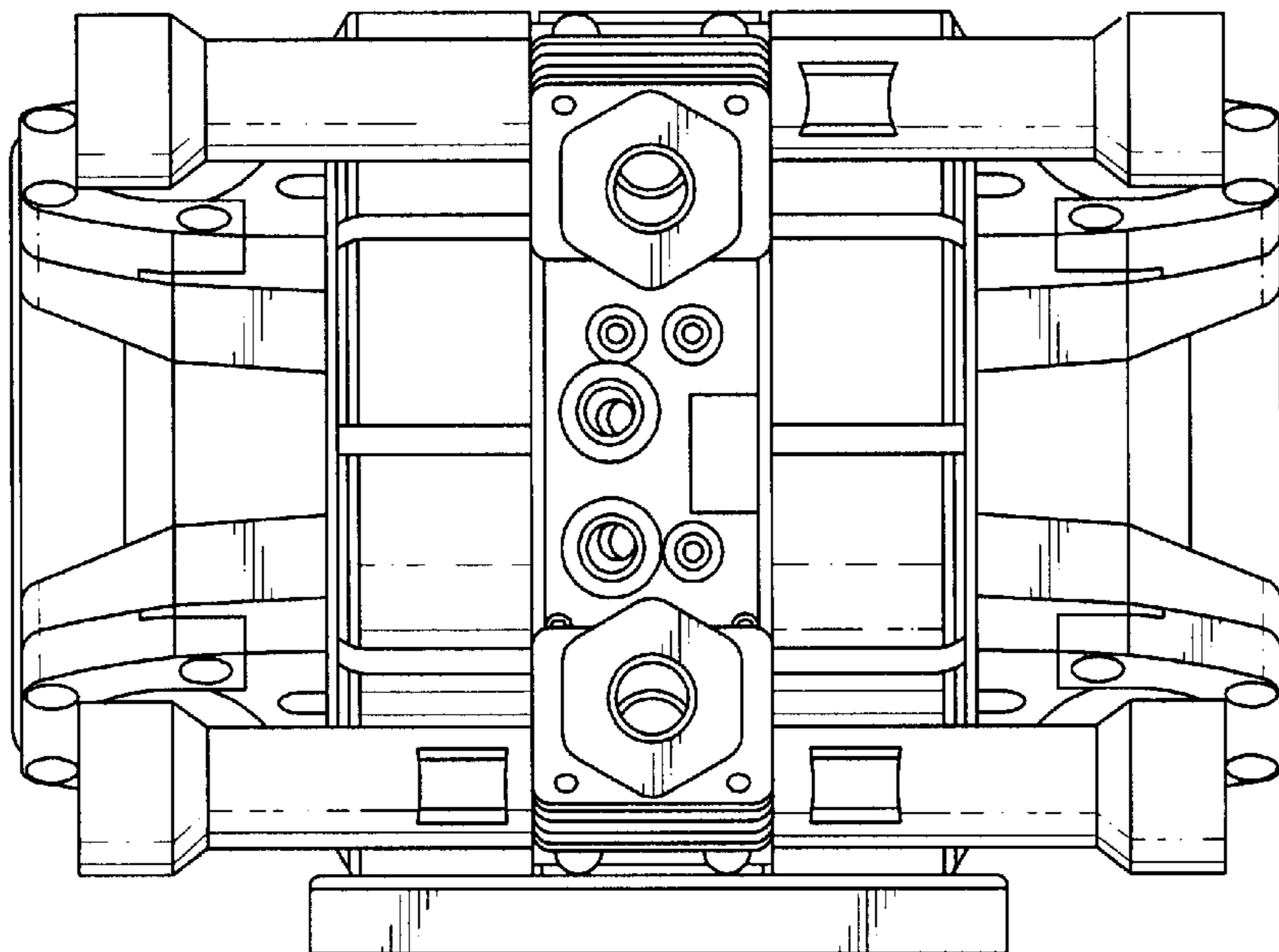


FIG. 4



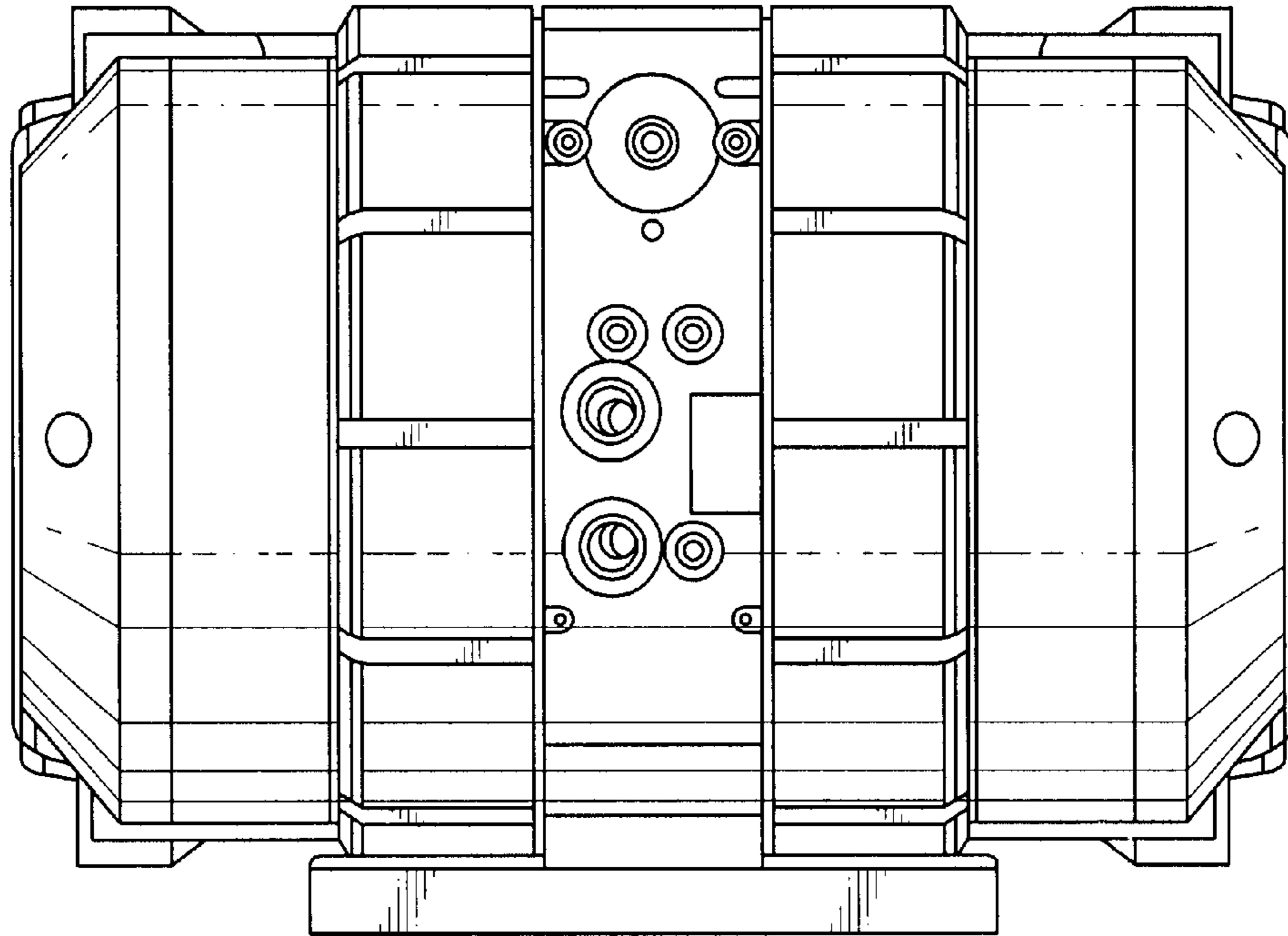


FIG. 5

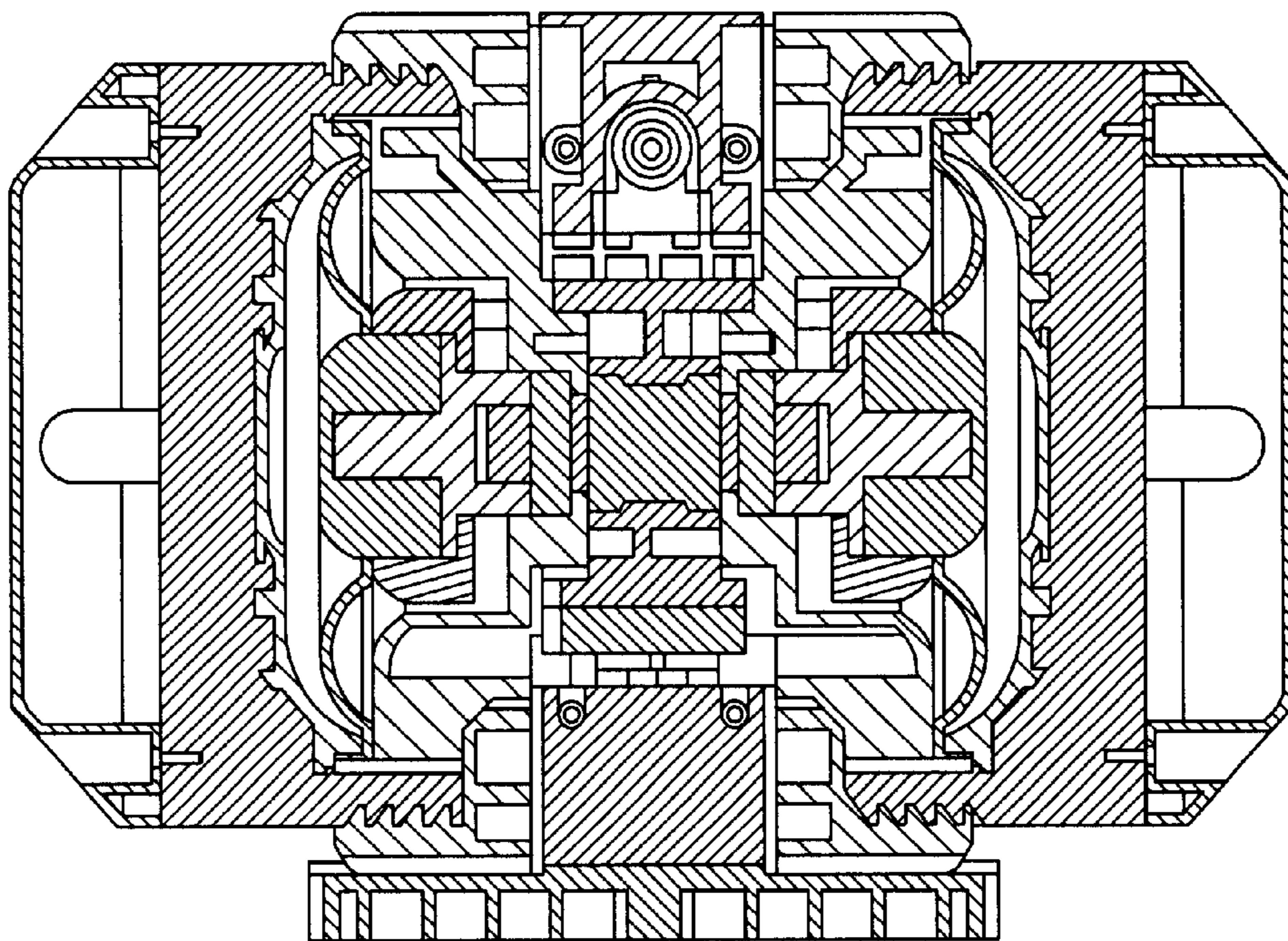


FIG. 6

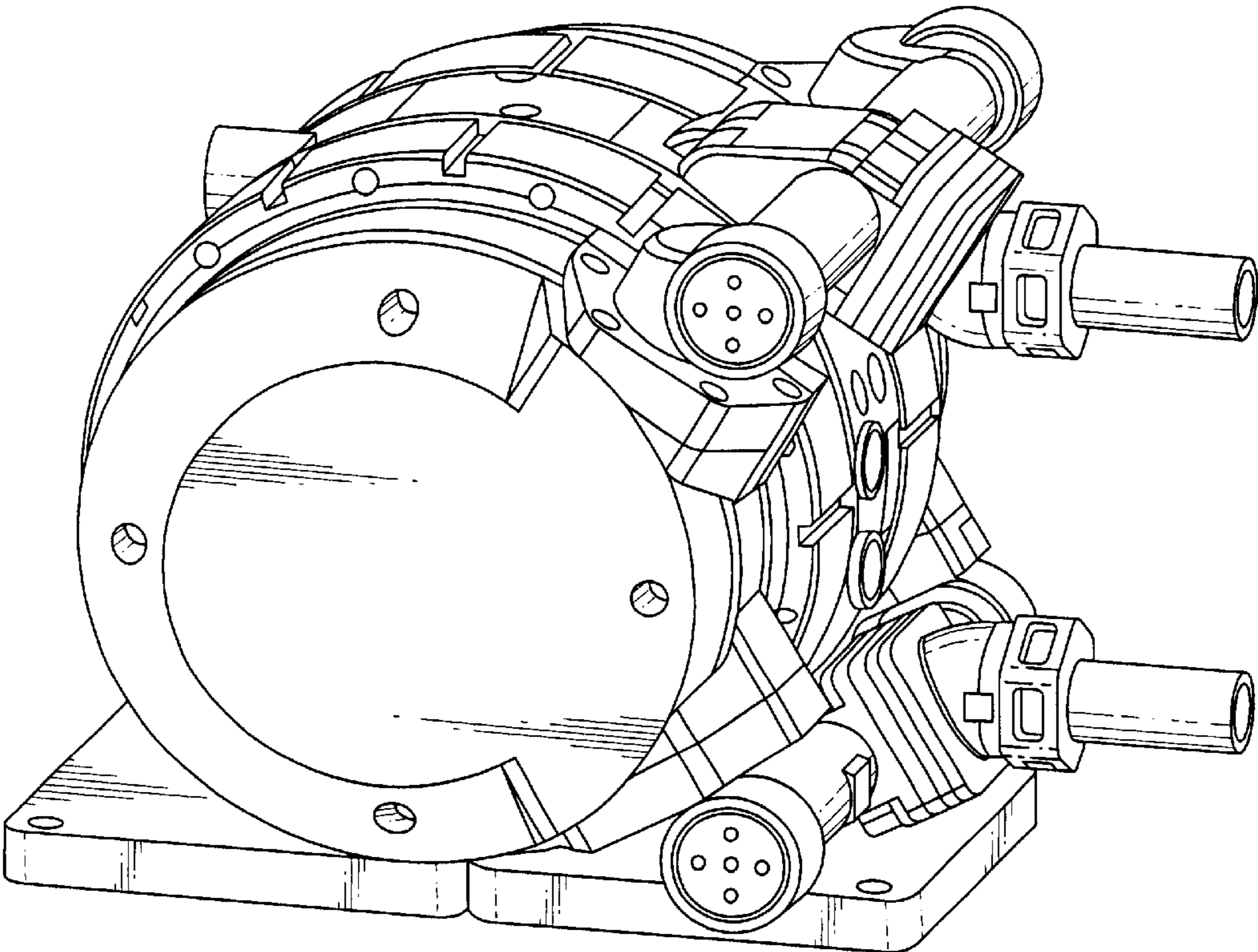


FIG. 7