

US00D498765S

(12) **United States Design Patent**
Nakazato

(10) **Patent No.:** **US D498,765 S**

(45) **Date of Patent:** **** Nov. 23, 2004**

(54) **GAS DETECTOR PUMP**

(75) **Inventor:** **Takashi Nakazato, Kanagawa (JP)**

(73) **Assignee:** **Gastec Corporation, Kanagawa-ken (JP)**

(**) **Term:** **14 Years**

(21) **Appl. No.:** **29/195,601**

(22) **Filed:** **Dec. 16, 2003**

(30) **Foreign Application Priority Data**

Sep. 29, 2003 (JP) 2003-028290

(51) **LOC (7) Cl.** **15-02**

(52) **U.S. Cl.** **D15/7; D10/81**

(58) **Field of Search** **D15/7-9; 417/321, 417/410, 413.1, 415, 423.3, 486, 521, 534; 415/148; D10/81**

(56) **References Cited**

U.S. PATENT DOCUMENTS

D254,509 S * 3/1980 Migchelbrink, Jr. D25/36
D263,050 S * 2/1982 Chang D15/7

4,531,895 A * 7/1985 Zeck 417/401
D316,099 S * 4/1991 Hartz D12/7
D332,266 S * 1/1993 Iwai et al. D15/7
D352,721 S * 11/1994 Cook et al. D15/7
D492,325 S * 6/2004 Niwatsukino et al. D15/7

* cited by examiner

Primary Examiner—Ralf Seifert

(74) *Attorney, Agent, or Firm*—Wenderoth, Lind & Ponack, L.L.P.

(57) **CLAIM**

The original design for gas detector pump, as shown.

DESCRIPTION

FIG. 1 is a perspective view of the gas detector pump showing my new design;
FIG. 2 is a front elevational view thereof;
FIG. 3 is a rear elevational view thereof;
FIG. 4 is a top plan view thereof;
FIG. 5 is a bottom plan view thereof;
FIG. 6 is a left side elevational view thereof; and,
FIG. 7 is a right side elevational view thereof.

1 Claim, 4 Drawing Sheets

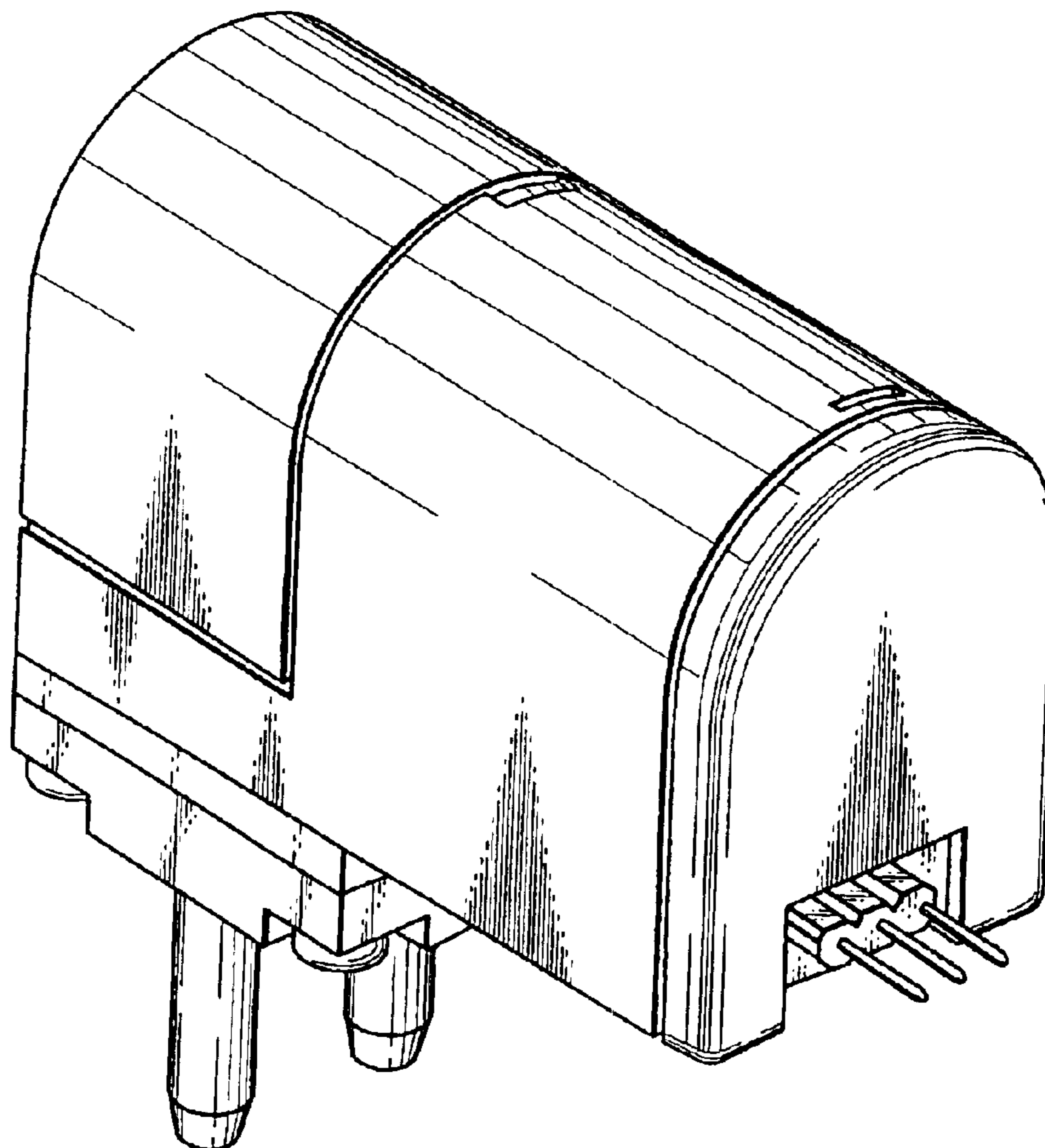


Fig. 1

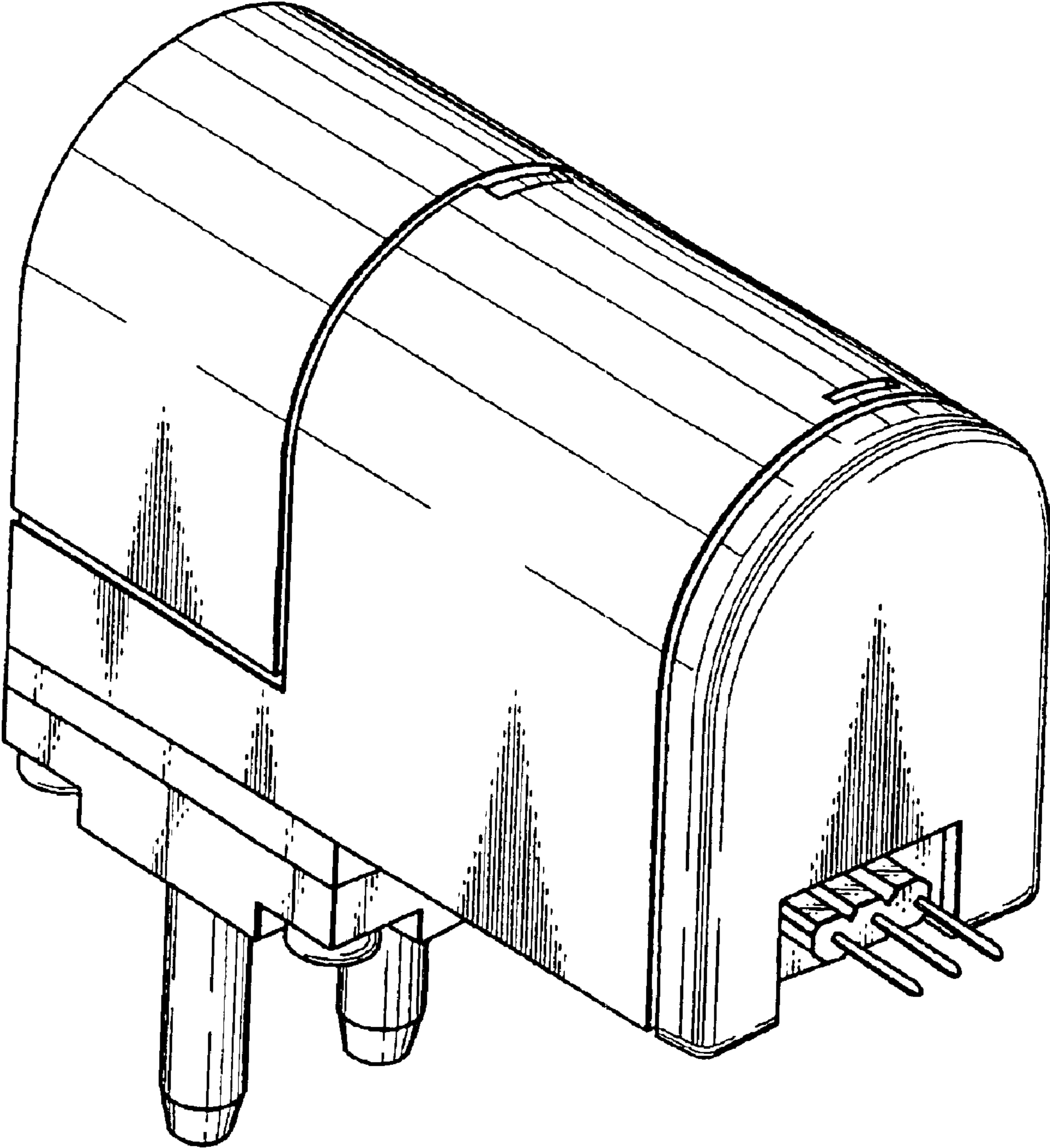


Fig. 2

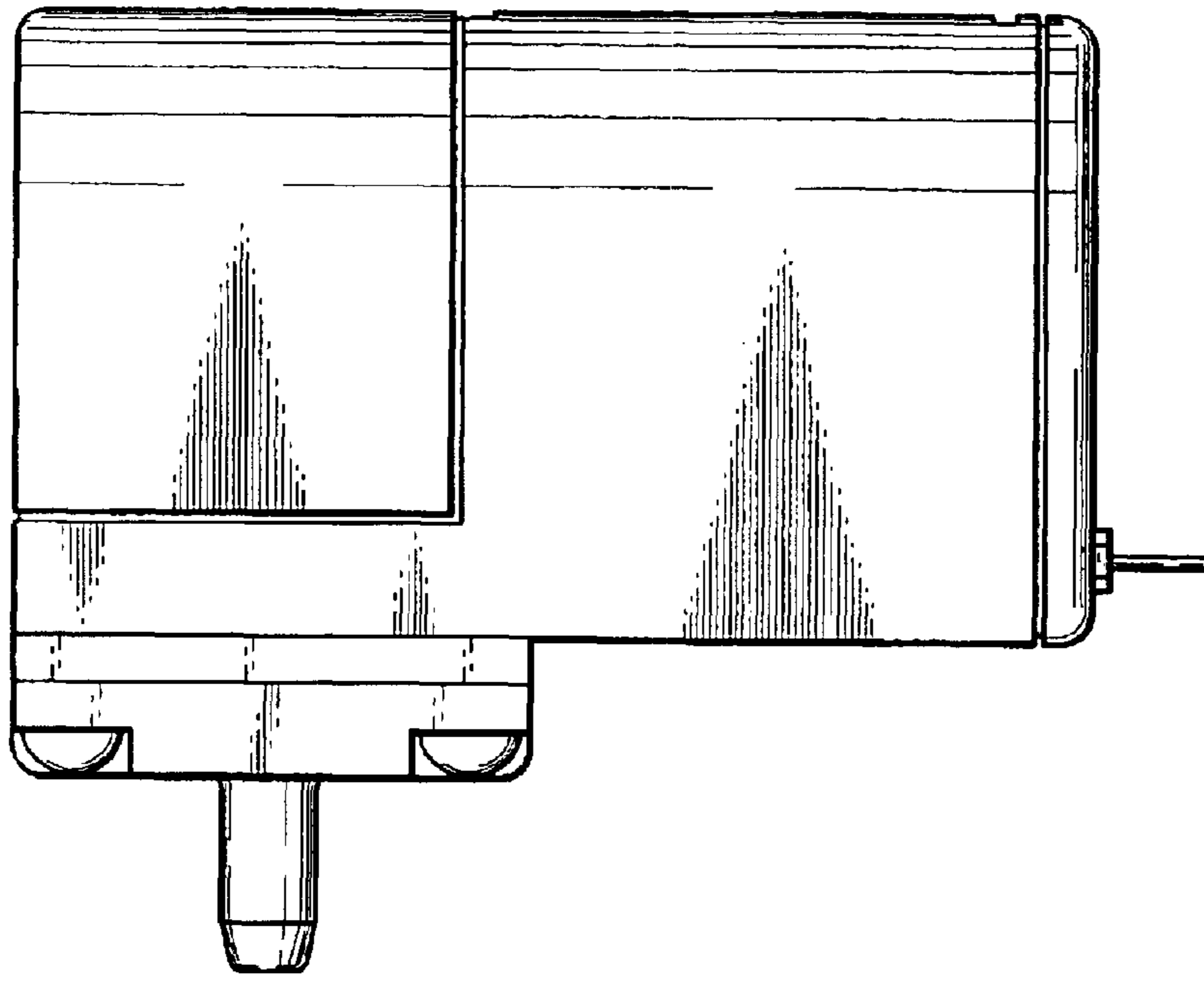


Fig. 3

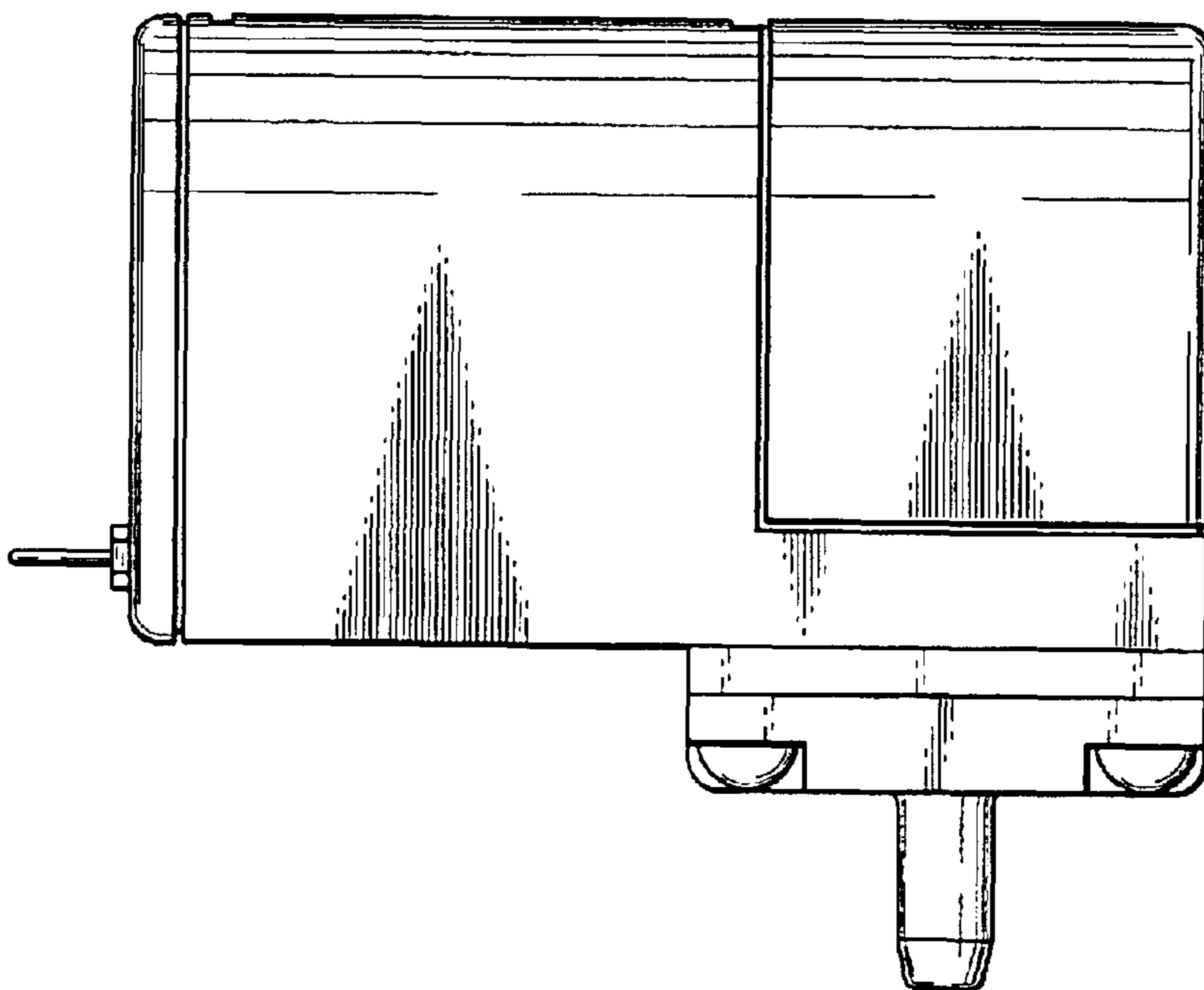


Fig. 4

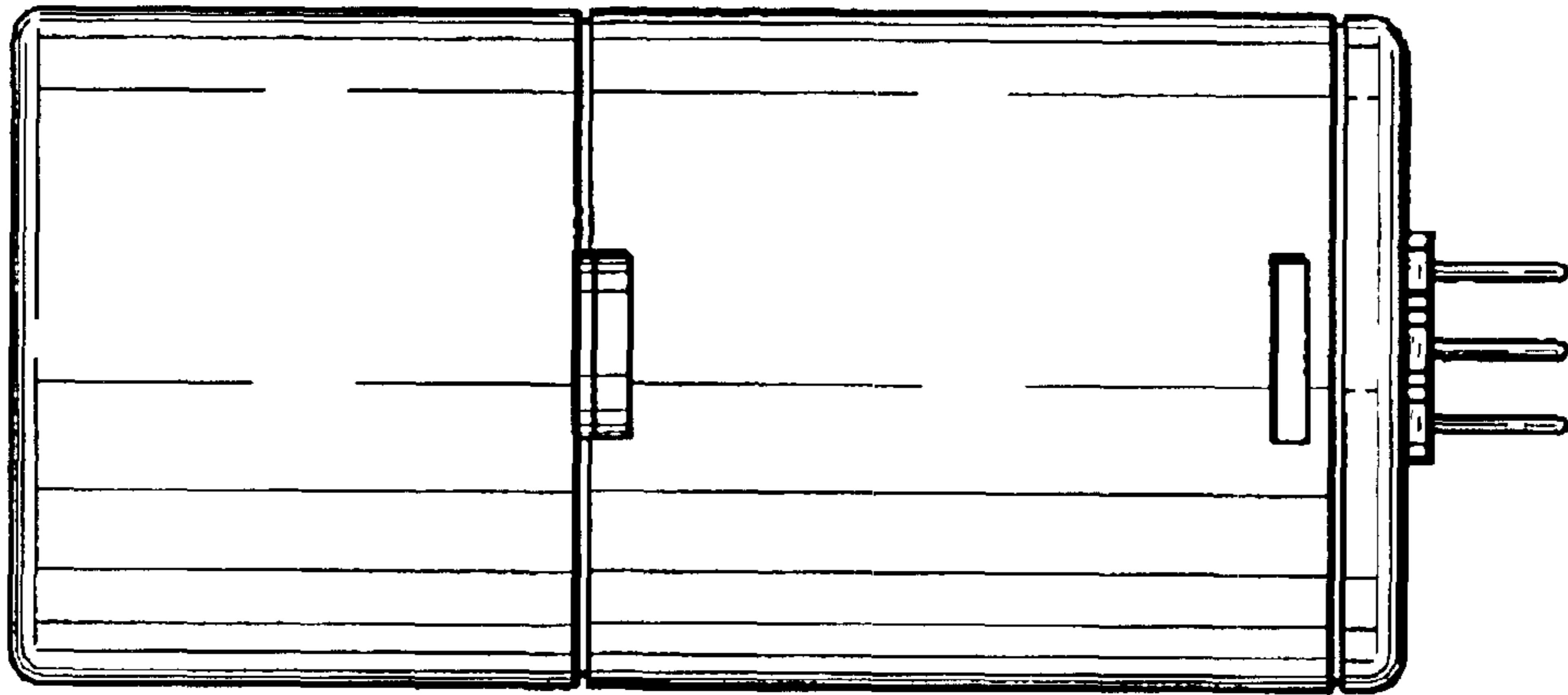


Fig. 5

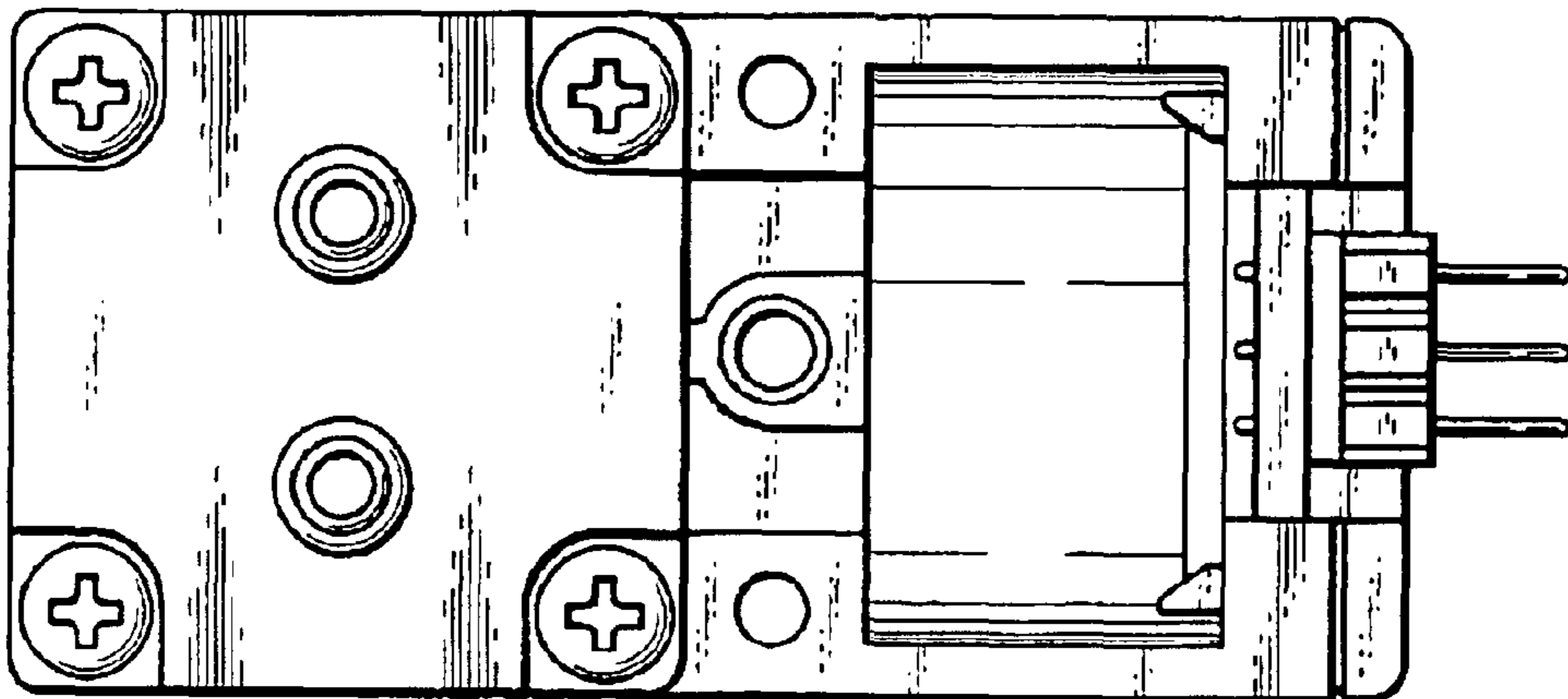


Fig. 6

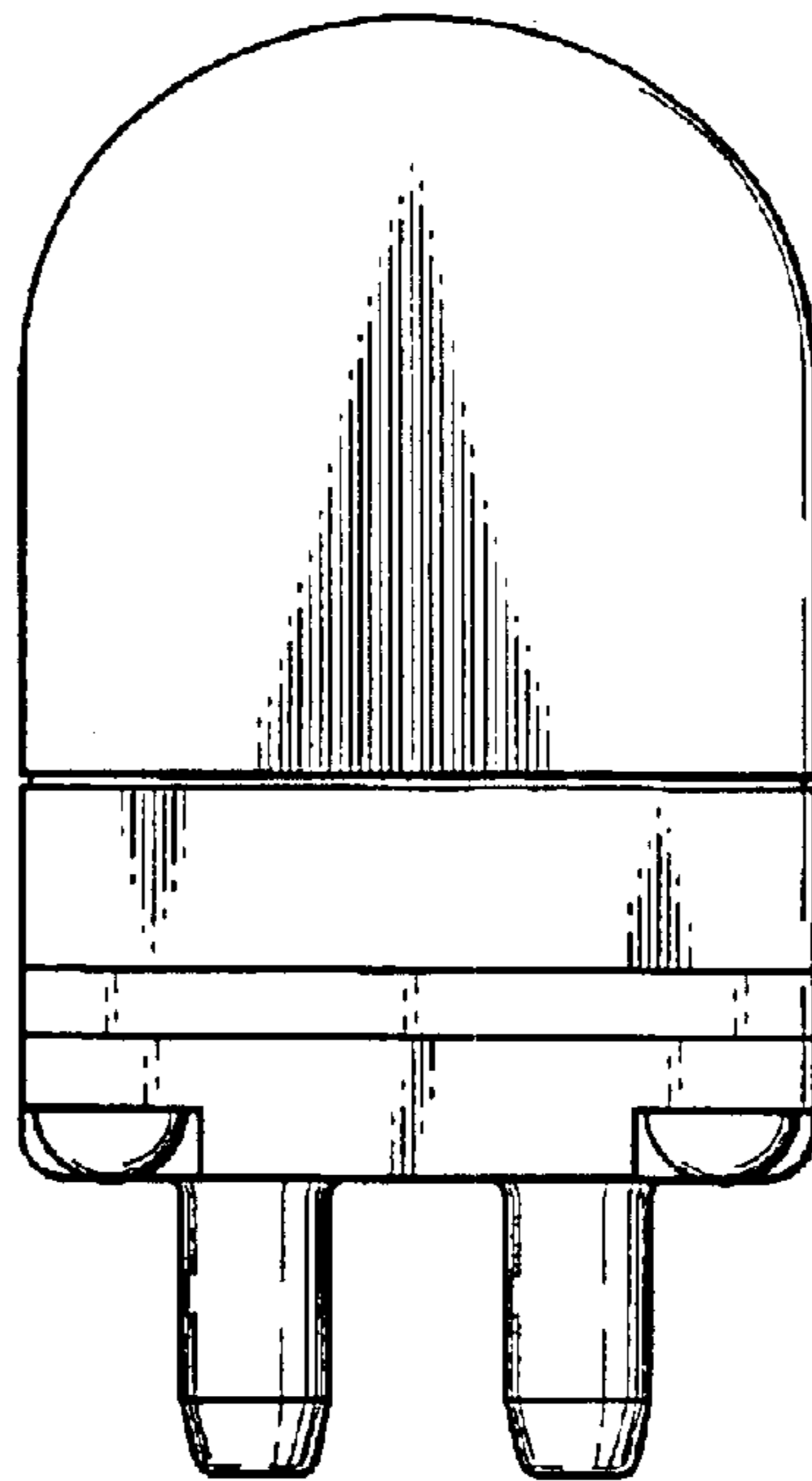


Fig. 7

