

US00D498758S

(12) **United States Design Patent**  
**Nakamura et al.**

(10) **Patent No.:** **US D498,758 S**  
(45) **Date of Patent:** **\*\* Nov. 23, 2004**

(54) **MULTI-DIRECTION INPUT DEVICE**

(75) Inventors: **Masahiko Nakamura,**  
**Kitakatsuragi-gun (JP); Tsuyoshi**  
**Kitagawa, Yao (JP)**

(73) Assignee: **Hosiden Corporation, Osaka (JP)**

(\*\*) Term: **14 Years**

(21) Appl. No.: **29/163,778**

(22) Filed: **Jul. 12, 2002**

(30) **Foreign Application Priority Data**

Jan. 15, 2002 (JP) ..... 2002-004170

(51) **LOC (7) Cl.** ..... **14-02**

(52) **U.S. Cl.** ..... **D14/413**

(58) **Field of Search** ..... D14/400, 401,  
D14/412-416; D21/324, 333; 273/148 B;  
463/1, 38, 36, 46, 47; 345/156, 157, 160,  
163, 167

(56) **References Cited**

**U.S. PATENT DOCUMENTS**

6,029,537 A \* 2/2000 Nagao ..... 273/148 B

6,059,660 A \* 5/2000 Takada et al. .... 463/38  
6,429,767 B1 \* 8/2002 Shimomura ..... 273/148 B  
6,445,377 B1 \* 9/2002 Shimomura ..... 345/161  
D464,654 S \* 10/2002 Tews ..... D14/414  
D471,557 S \* 3/2003 Toshiharu ..... D14/412  
D474,247 S \* 5/2003 Miyoshi ..... D14/400

\* cited by examiner

*Primary Examiner*—Prabhakar Deshmukh

(74) *Attorney, Agent, or Firm*—Koda & Androlia

(57) **CLAIM**

The ornamental design for a multi-direction input device, as shown and described.

**DESCRIPTION**

FIG. 1 is a front elevational view of the multi-direction input device showing our new design; FIG. 2 is a rear elevational view thereof; FIG. 3 is a right side elevational view thereof; FIG. 4 is a left side elevational view thereof; FIG. 5 is a top plan view thereof; FIG. 6 is a bottom plan view thereof; and, FIG. 7 is a perspective view taken from the front, left and top of the multi-direction input device.

**1 Claim, 4 Drawing Sheets**

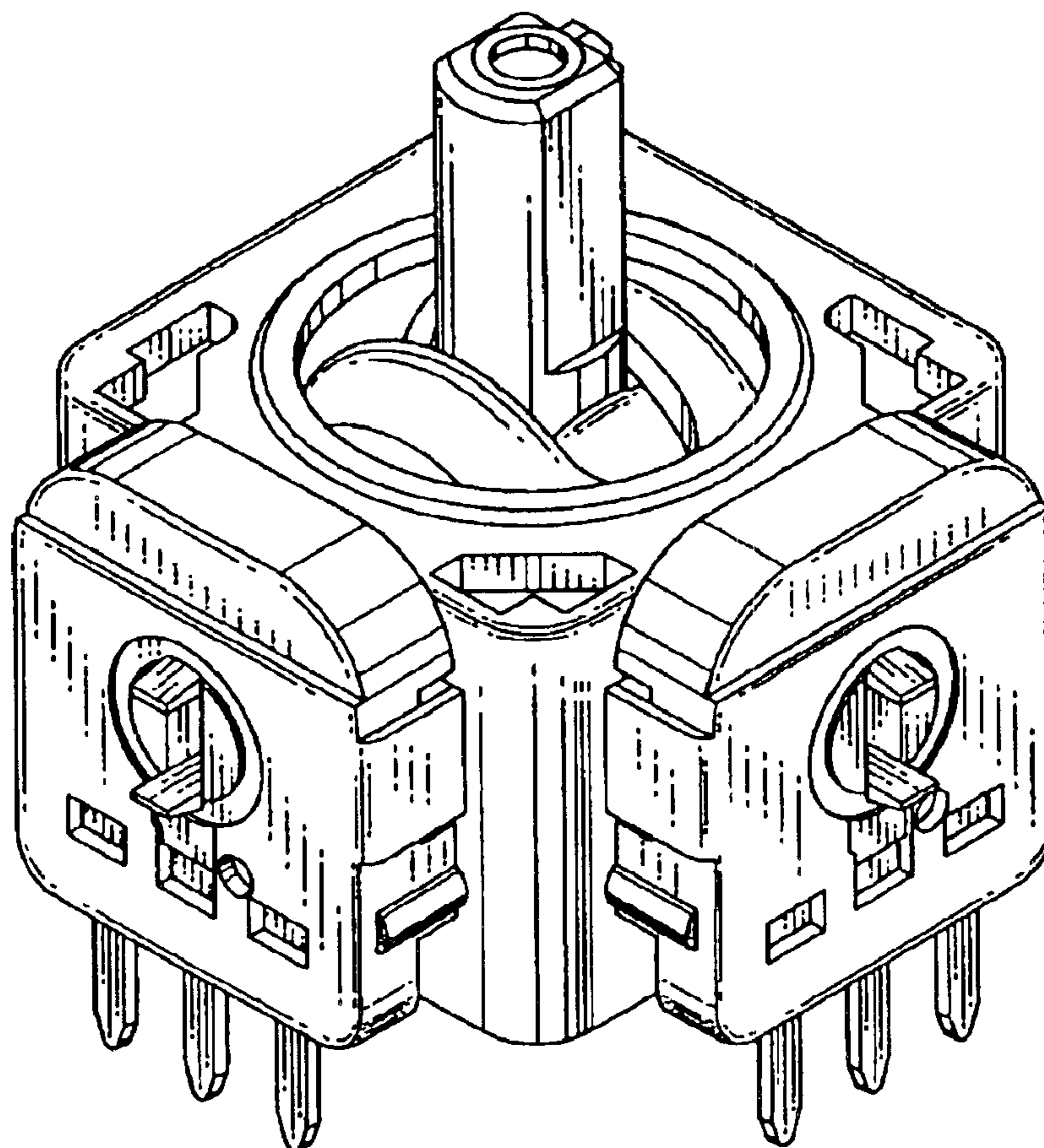


Fig. 1

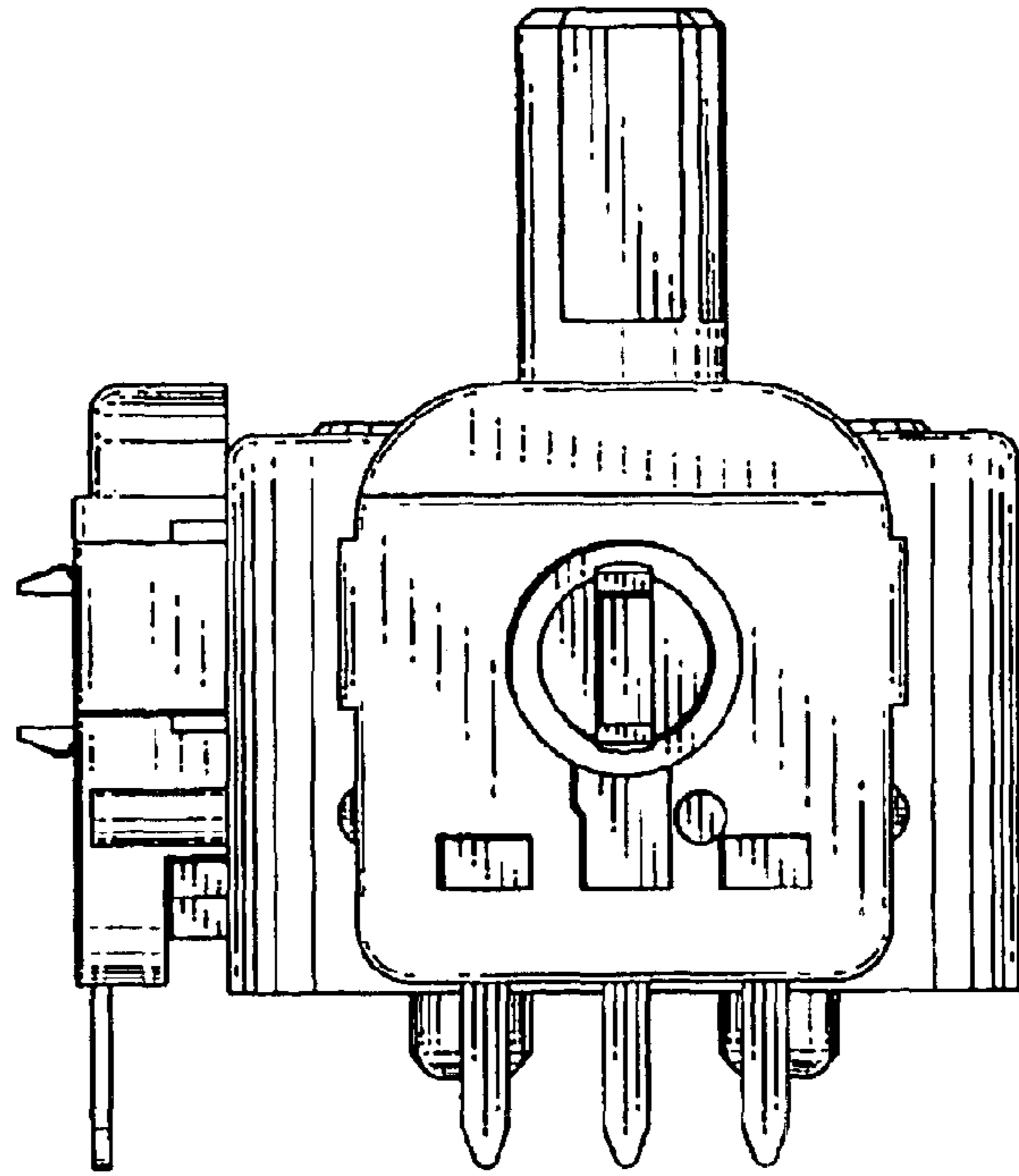


Fig. 2

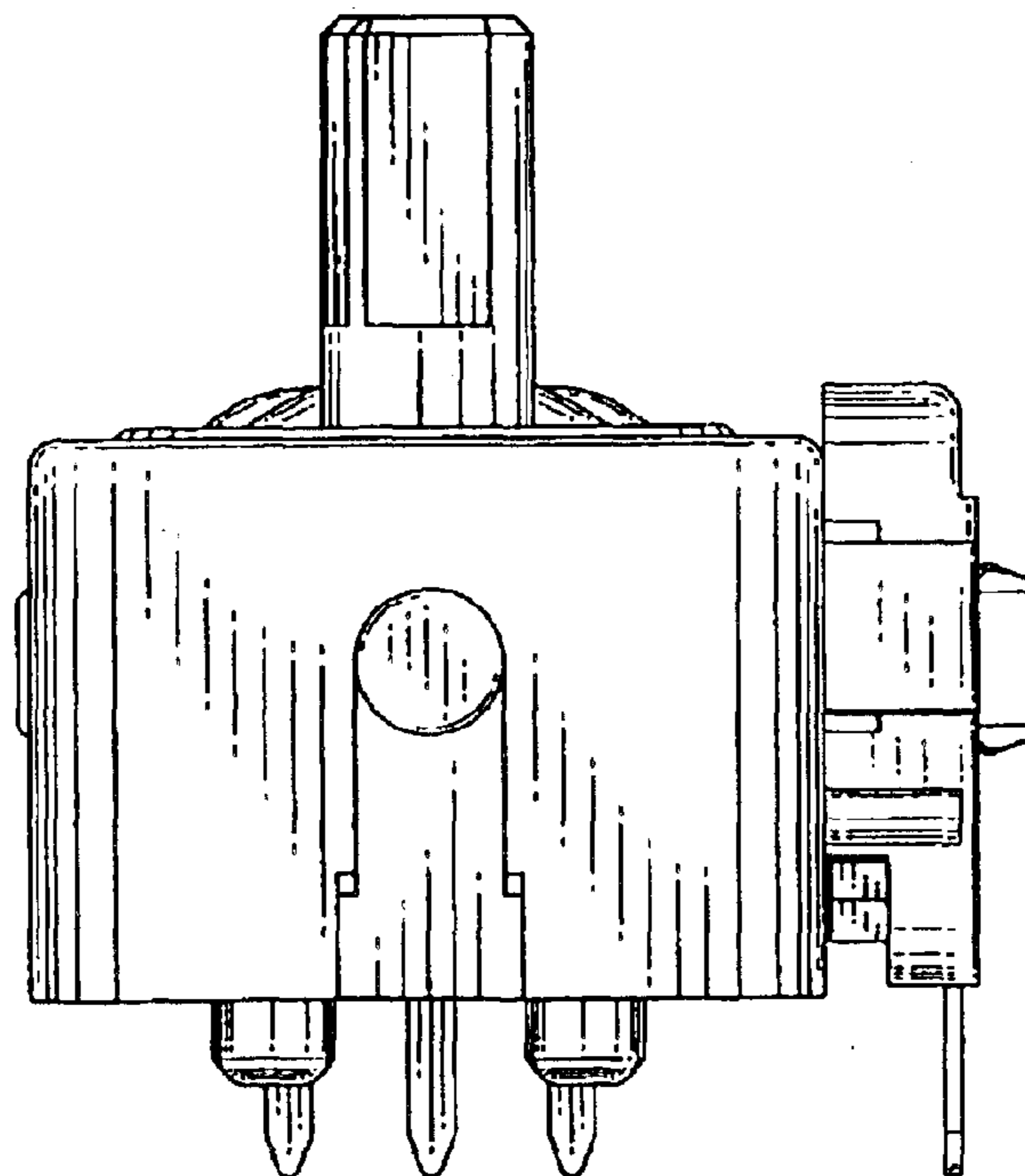


Fig. 3

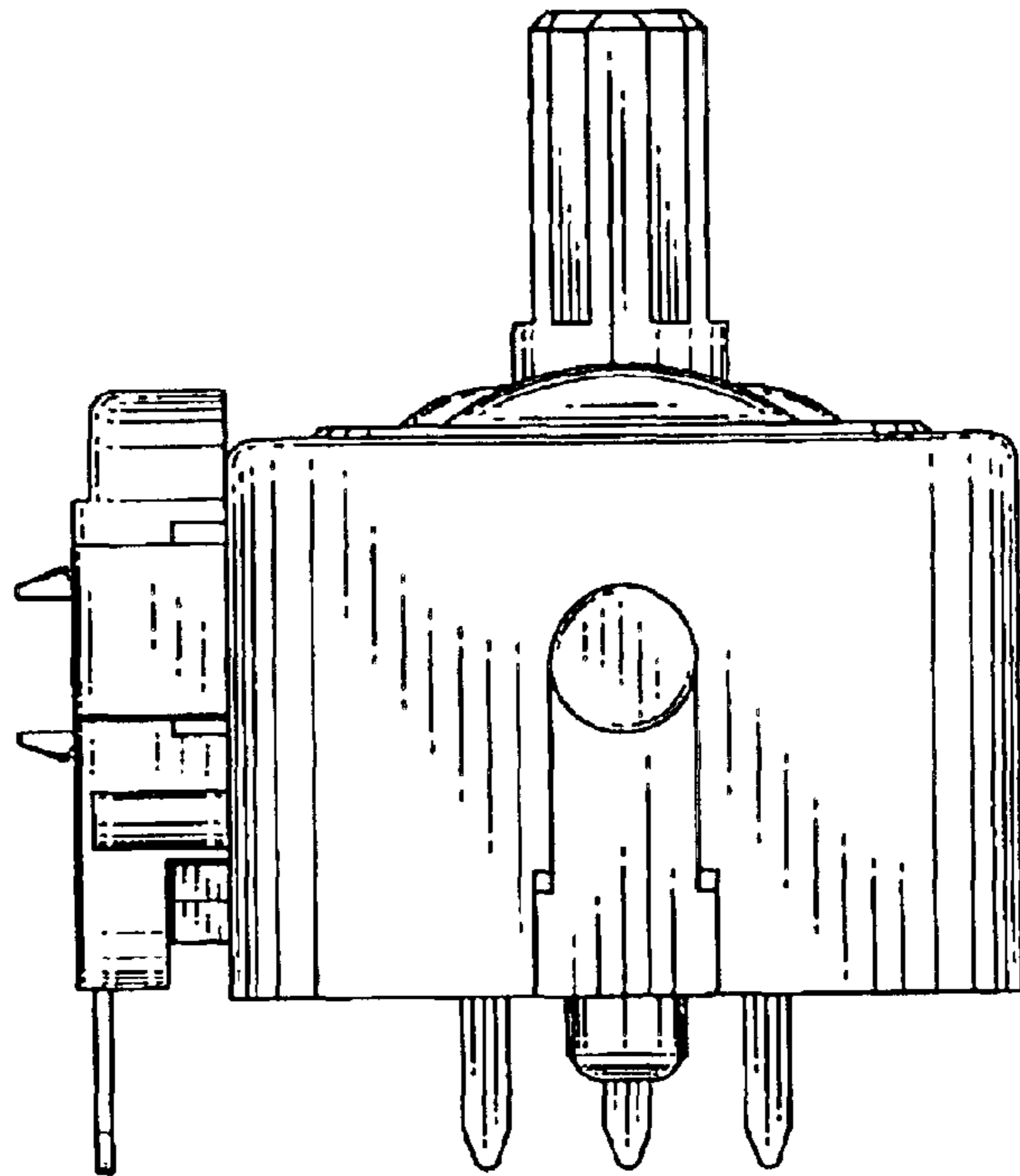


Fig. 4

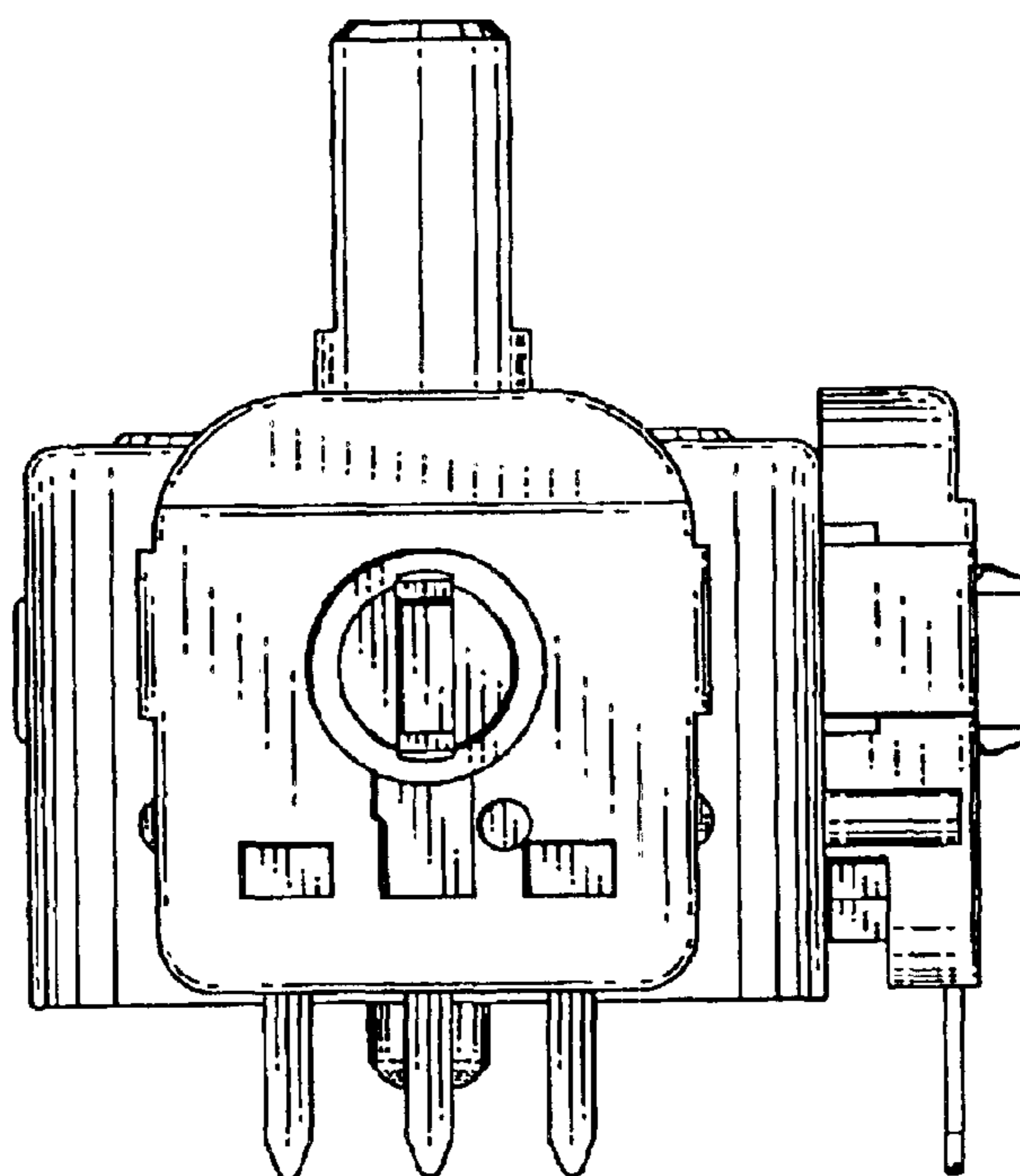


Fig. 5

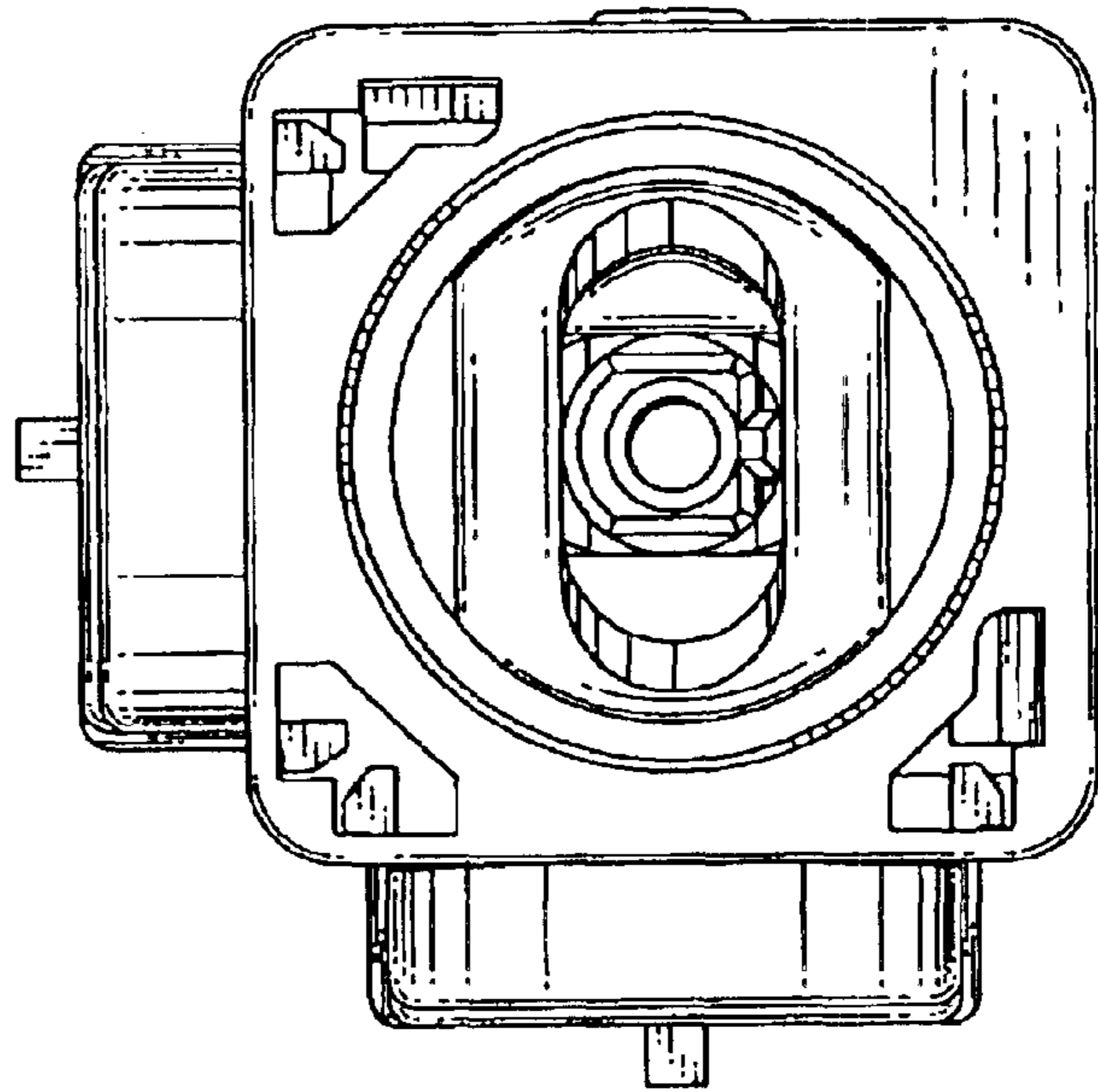


Fig. 6

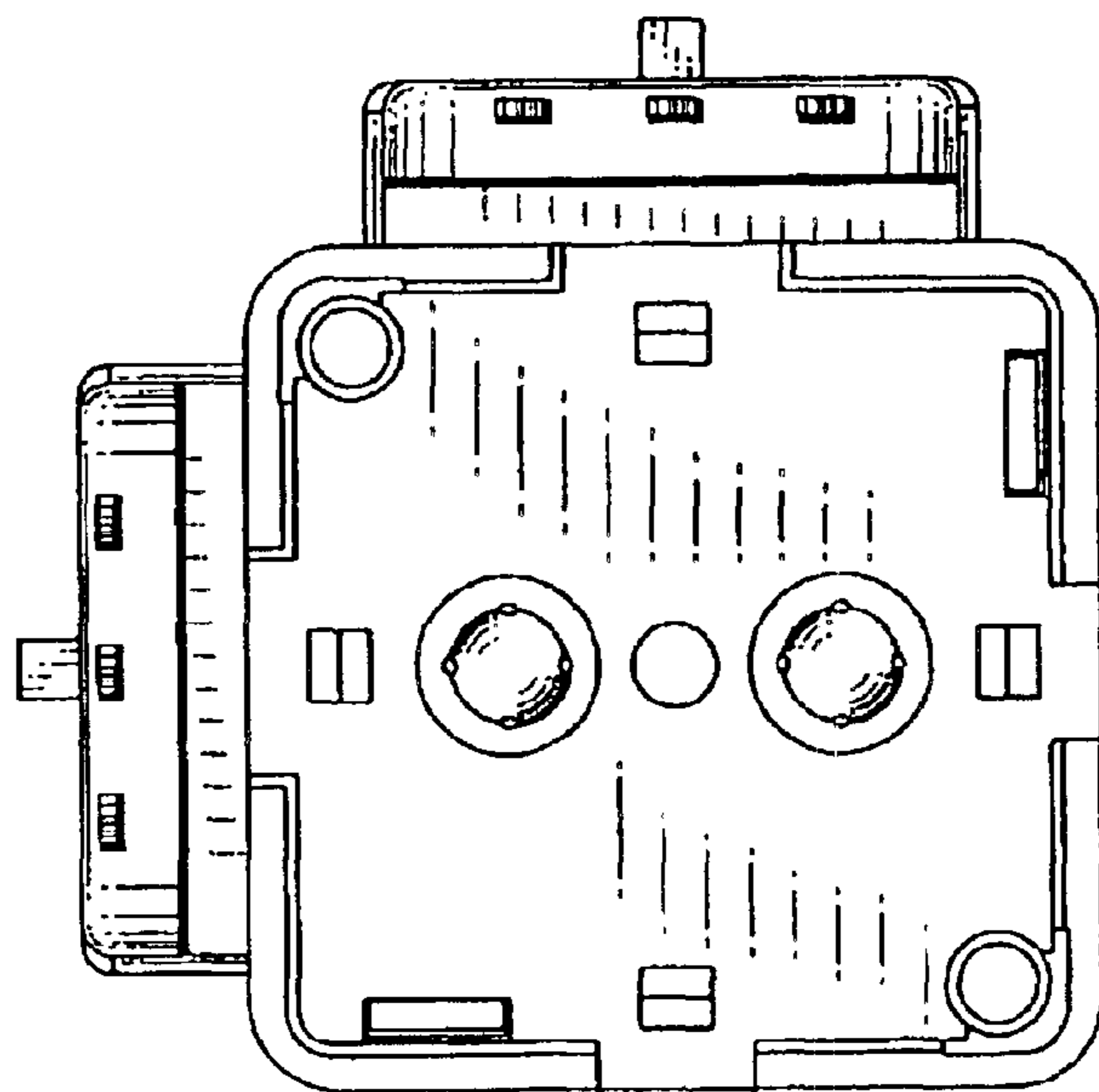


Fig. 7

