



US00D498753S

(12) **United States Design Patent**
Yamada

(10) **Patent No.:** **US D498,753 S**

(45) **Date of Patent:** **** Nov. 23, 2004**

(54) **PORTABLE COMPUTER**

Copy of magazine, Pen Computing, published Nov. 2001.

(75) Inventor: **Kunio Yamada**, Kobe (JP)

* cited by examiner

(73) Assignee: **Matsushita Electric Industrial Co., Ltd.**, Osaka (JP)

Primary Examiner—Freda S. Nunn

(74) *Attorney, Agent, or Firm*—Brinks Hofer Gilson & Lione

(**) Term: **14 Years**

(21) Appl. No.: **29/186,547**

(57) **CLAIM**

(22) Filed: **Jul. 17, 2003**

The ornamental design for a portable computer, as shown and described.

(30) **Foreign Application Priority Data**

Jan. 20, 2003 (JP) 2003-001152

DESCRIPTION

(51) **LOC (7) Cl.** **14-02**

FIG. 1 is a top perspective view of a portable computer of the present invention in an opened position;

(52) **U.S. Cl.** **D14/328**

FIG. 2 is a front view thereof;

(58) **Field of Search** D14/315, 317, D14/318, 322, 324, 327, 328, 343; D18/1, 2, 7; 235/145 A, 145 R; 341/22, 23; 345/104, 156, 168, 169, 173; 361/680-686

FIG. 3 is a rear view thereof;

FIG. 4 is a first side view thereof;

(56) **References Cited**

FIG. 5 is a top view thereof;

FIG. 6 is a bottom view thereof; and,

U.S. PATENT DOCUMENTS

FIG. 7 is a top perspective view of a portable computer of the present invention in a closed position.

D412,317 S * 7/1999 Horiki et al. D14/318

D456,398 S * 4/2002 Horiki D14/328

D456,803 S * 5/2002 Yamada D14/324

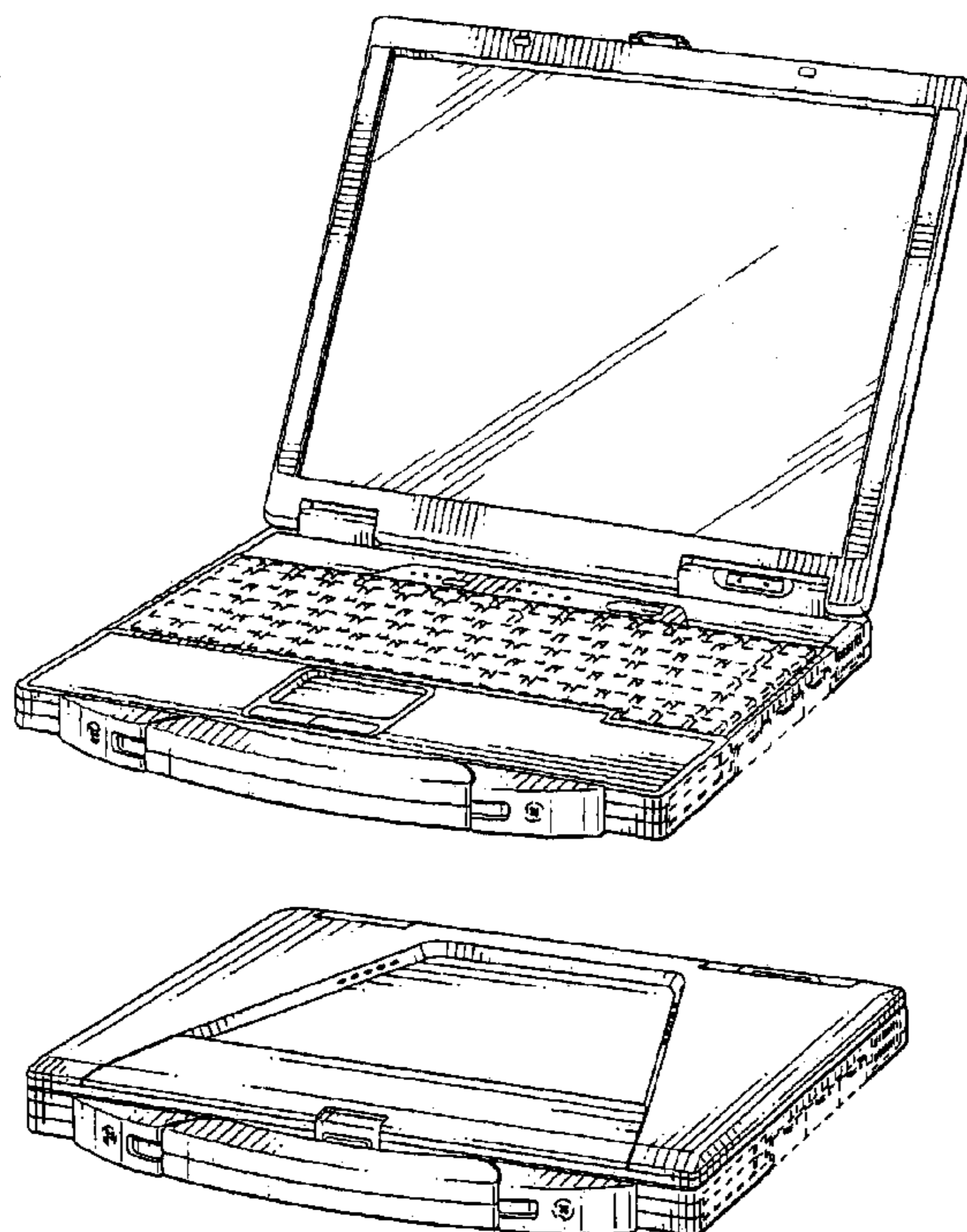
The ornamental design which is claimed is shown in solid lines in the drawings. Any broken lines in the drawings are for illustrative purposes only and form no part of the claimed design.

OTHER PUBLICATIONS

Copy of magazine, Monthly ASCII No. 303, published Sep. 2002.

Copy of magazine, Monthly ASCII No. 306, published Dec. 2002.

1 Claim, 7 Drawing Sheets



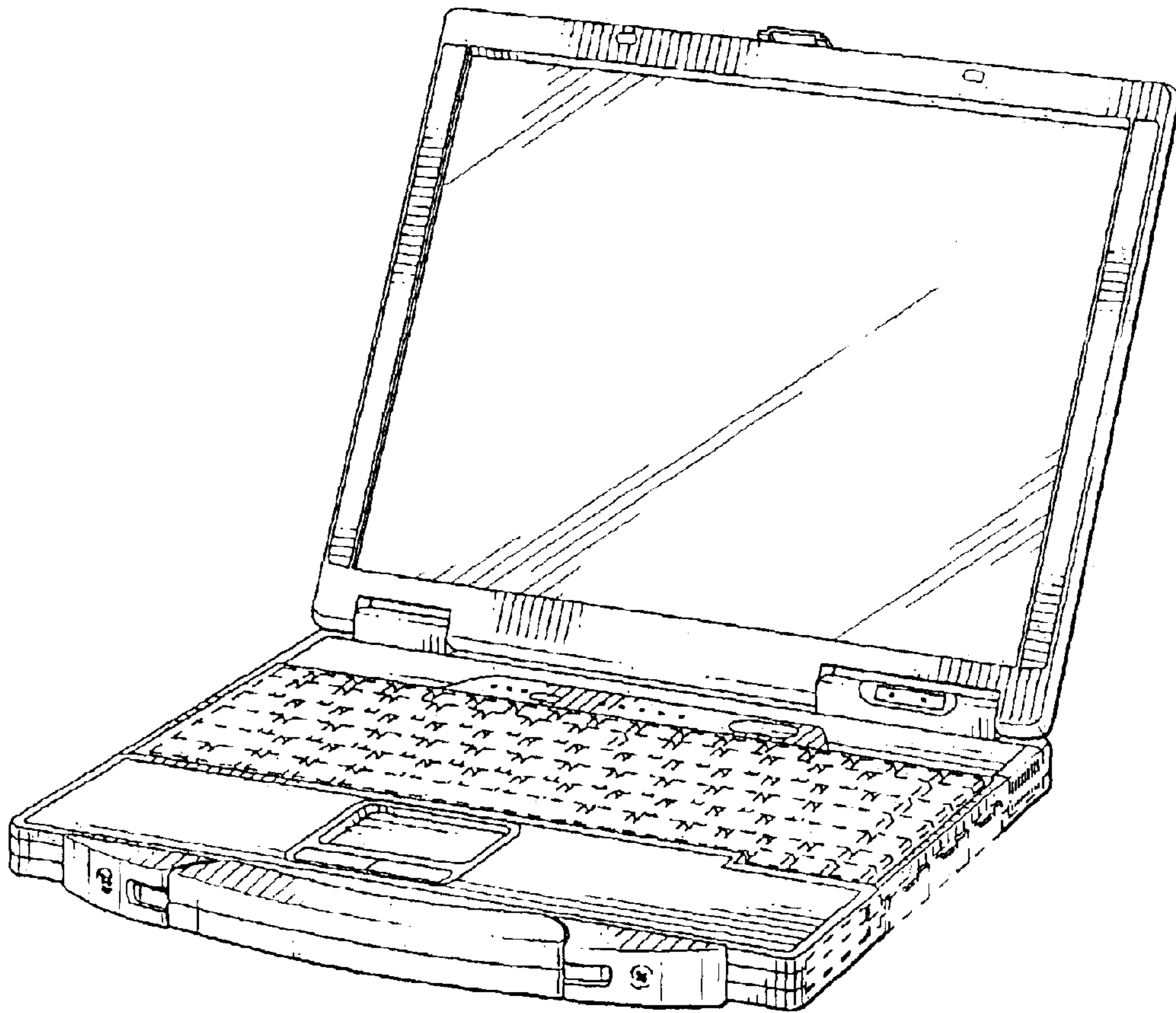


FIG. 1

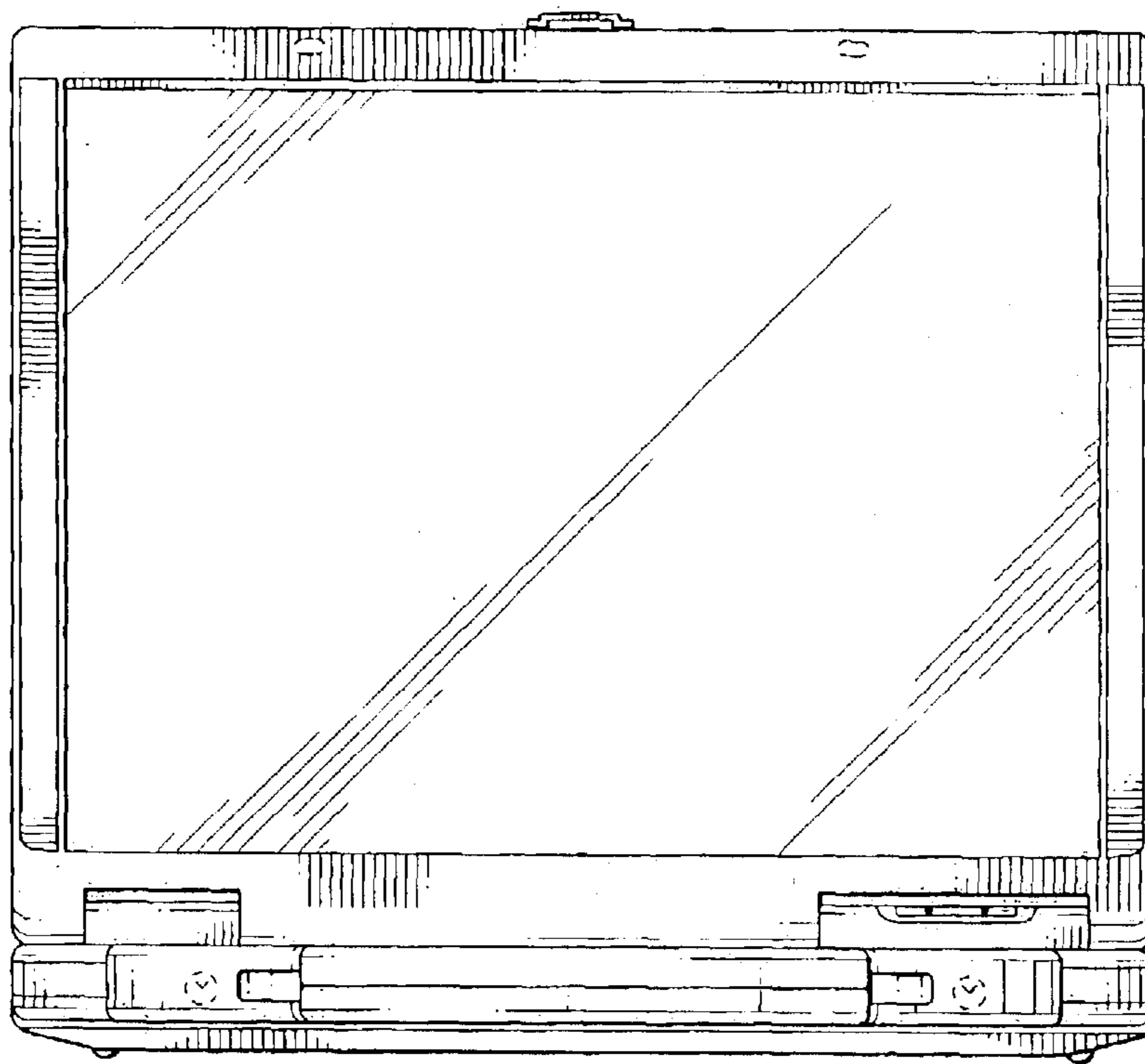


FIG. 2

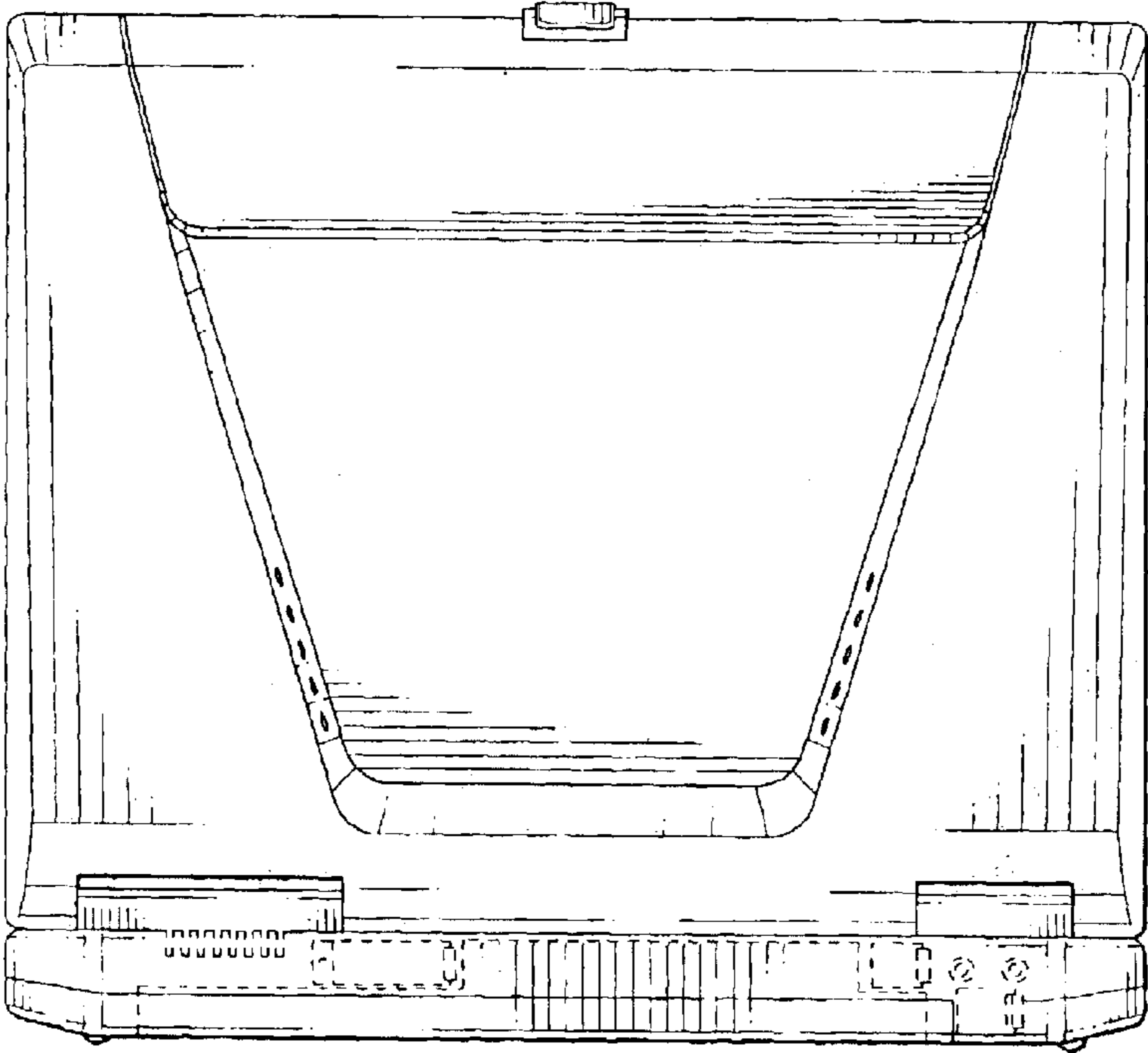


FIG. 3

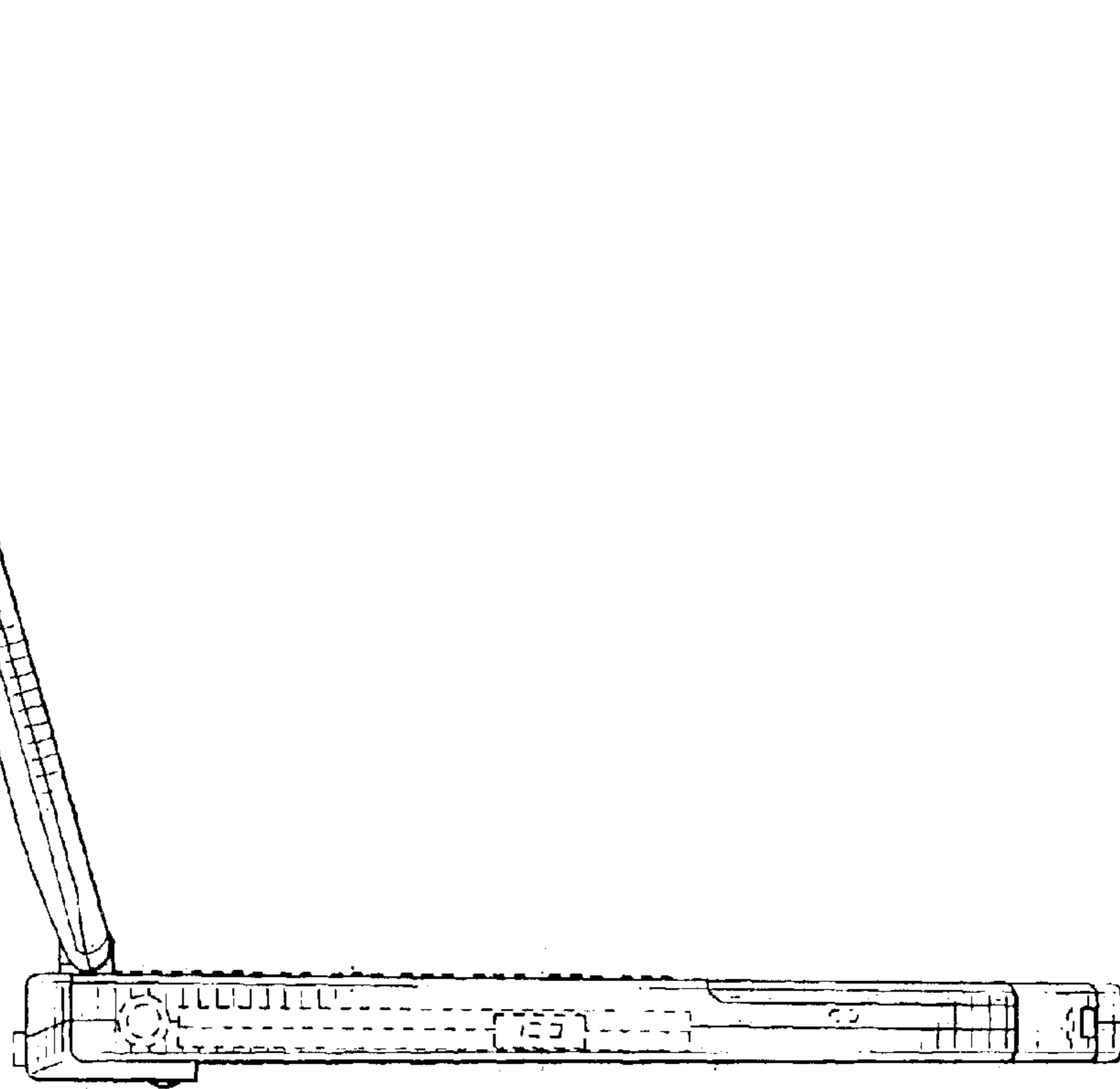


FIG. 4

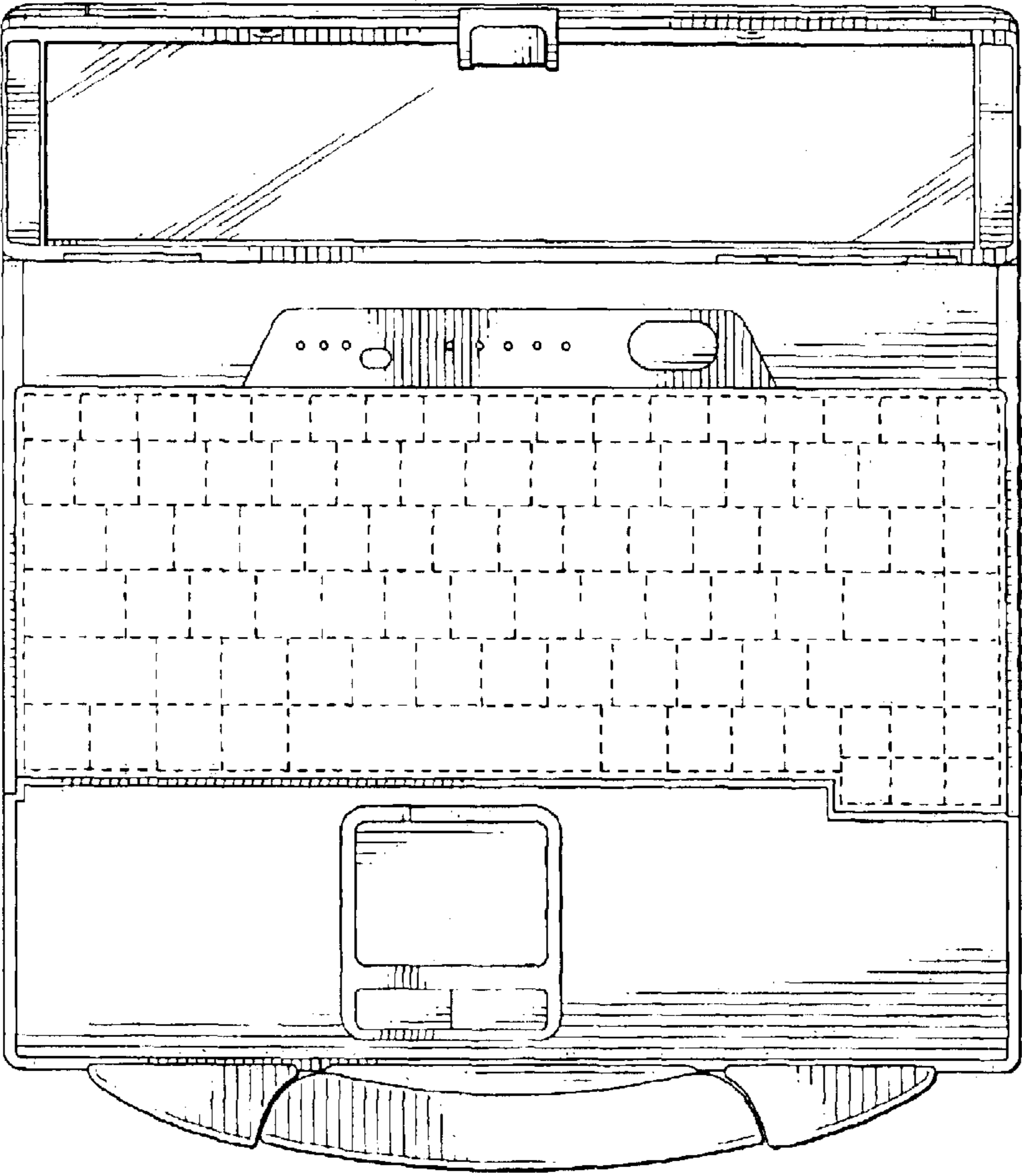


FIG. 5

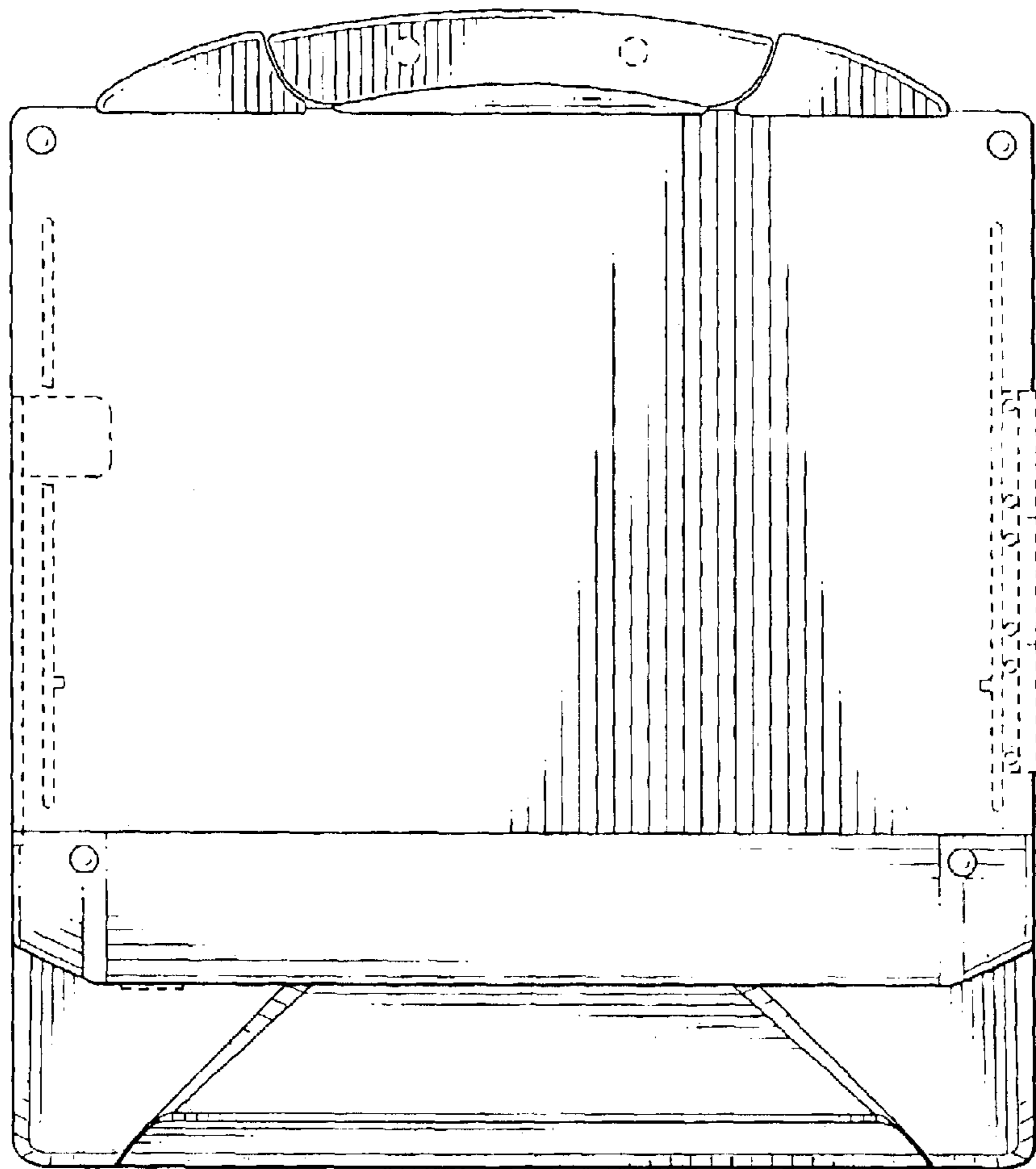


FIG. 6

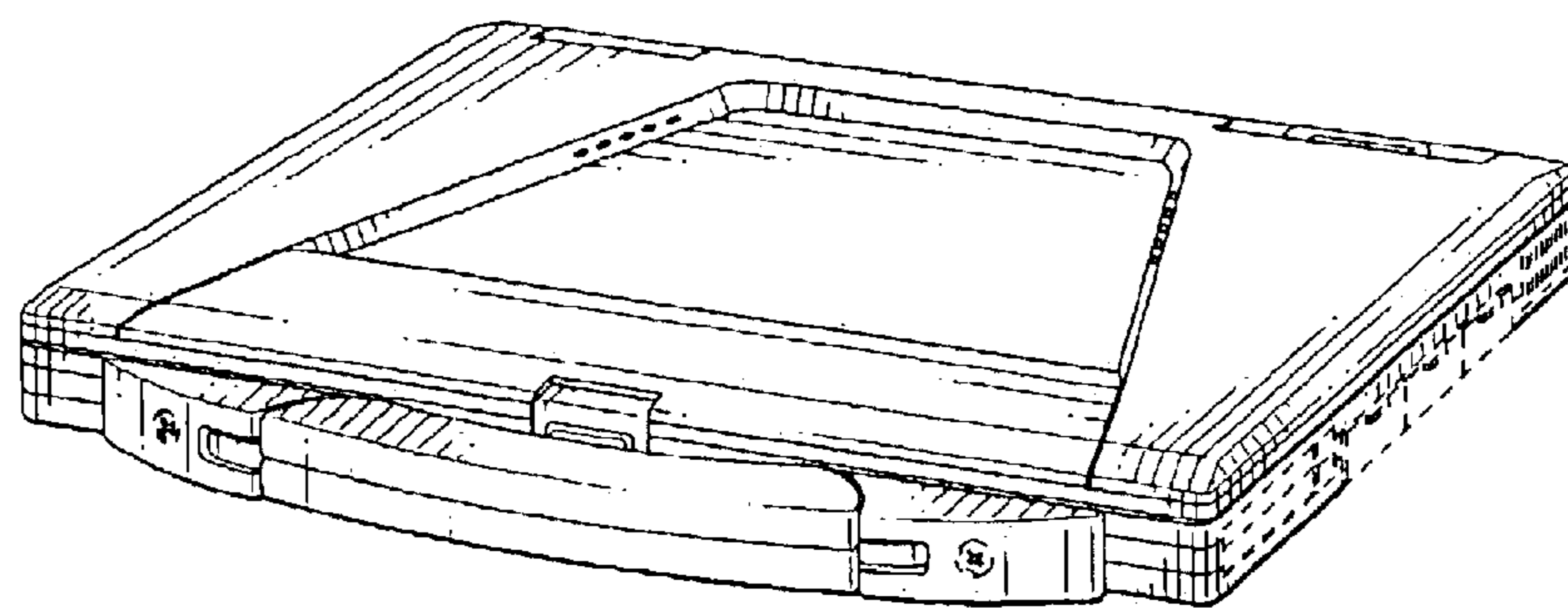


FIG. 7