



US00D498750S

(12) **United States Design Patent** (10) **Patent No.:** **US D498,750 S**
Ma (45) **Date of Patent:** **** Nov. 23, 2004**

(54) **COMMUNICATION DEVICE**

(75) Inventor: **Jeonge Judy Ma**, Buffalo Grove, IL (US)

(73) Assignee: **Motorola, Inc.**, Schaumburg, IL (US)

(**) Term: **14 Years**

(21) Appl. No.: **29/176,105**

(22) Filed: **Feb. 18, 2003**

(51) **LOC (7) Cl.** **14-01**

(52) **U.S. Cl.** **D14/223**

(58) **Field of Search** D14/205, 206, D14/223, 192; D24/174; 379/430, 446; 381/381, 378, 379, 374, 376, 377, 330; 181/129, 130

(56) **References Cited**

U.S. PATENT DOCUMENTS

D463,791 S	*	10/2002	Nagai et al.	D14/223
D471,889 S	*	3/2003	Rath et al.	D14/205
D478,573 S	*	8/2003	Wrisley et al.	D14/223
D480,711 S	*	10/2003	Kuan	D14/223
D485,549 S	*	1/2004	Ma et al.	D14/223
D487,078 S	*	2/2004	Chen	D14/223

* cited by examiner

Primary Examiner—Paula A. Greene

(74) *Attorney, Agent, or Firm*—Randall S. Vaas

(57) **CLAIM**

An ornamental design for a communication device, substantially as shown.

DESCRIPTION

FIG. 1 is a front perspective view of a first embodiment of an ornamental design for a communication device.

FIG. 2 is a rear perspective view of the embodiment of FIG. 1.

FIG. 3 is a front orthogonal view of the embodiment of FIG. 1.

FIG. 4 is a rear orthogonal view of the embodiment of FIG. 1.

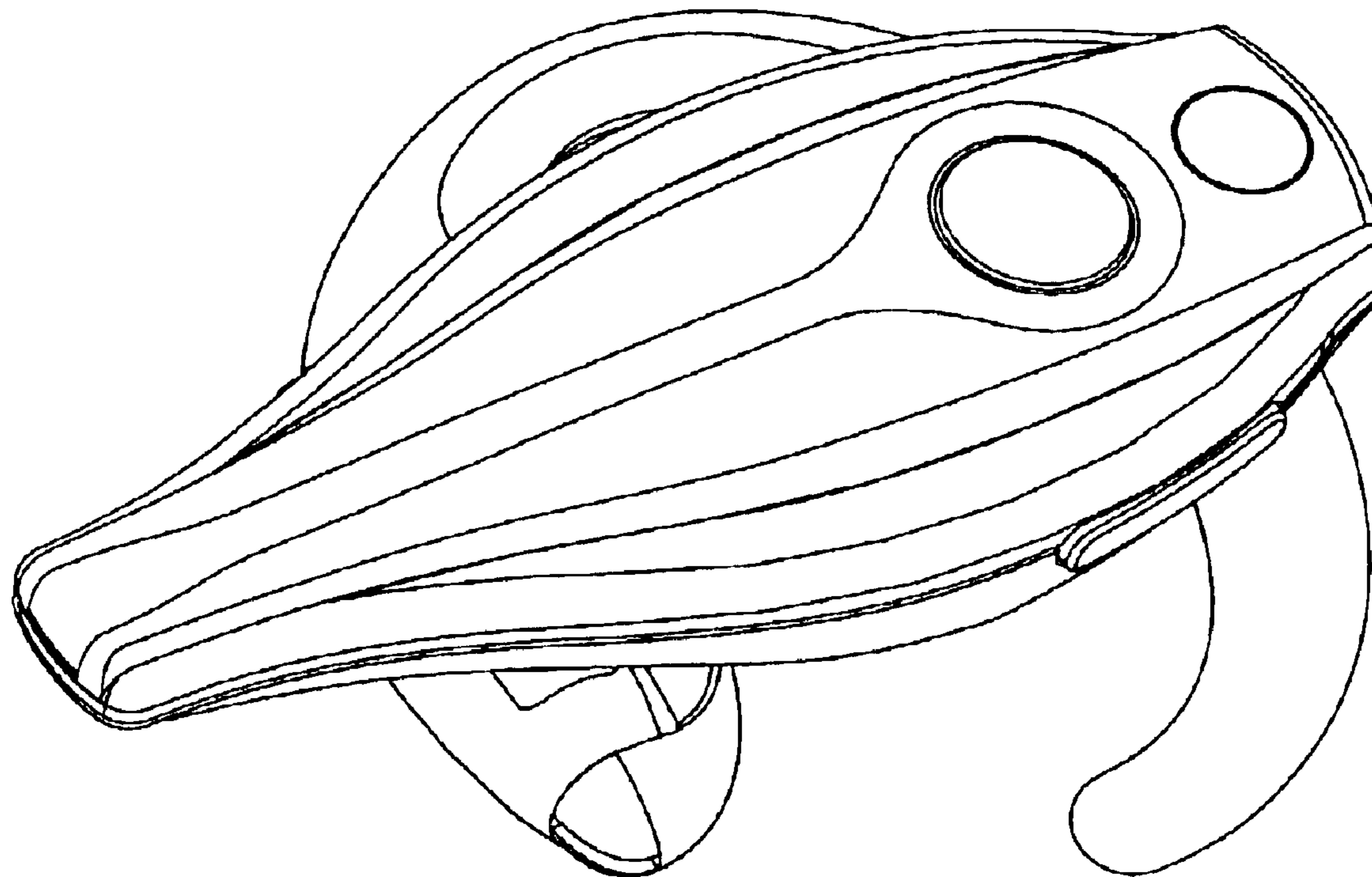
FIG. 5 is a bottom plan view of the embodiment of FIG. 1.

FIG. 6 is a top plan view of the embodiment of FIG. 1.

FIG. 7 is a first side perspective view of the embodiment of FIG. 1; and,

FIG. 8 is a second side perspective view of the embodiment of FIG. 1.

1 Claim, 3 Drawing Sheets



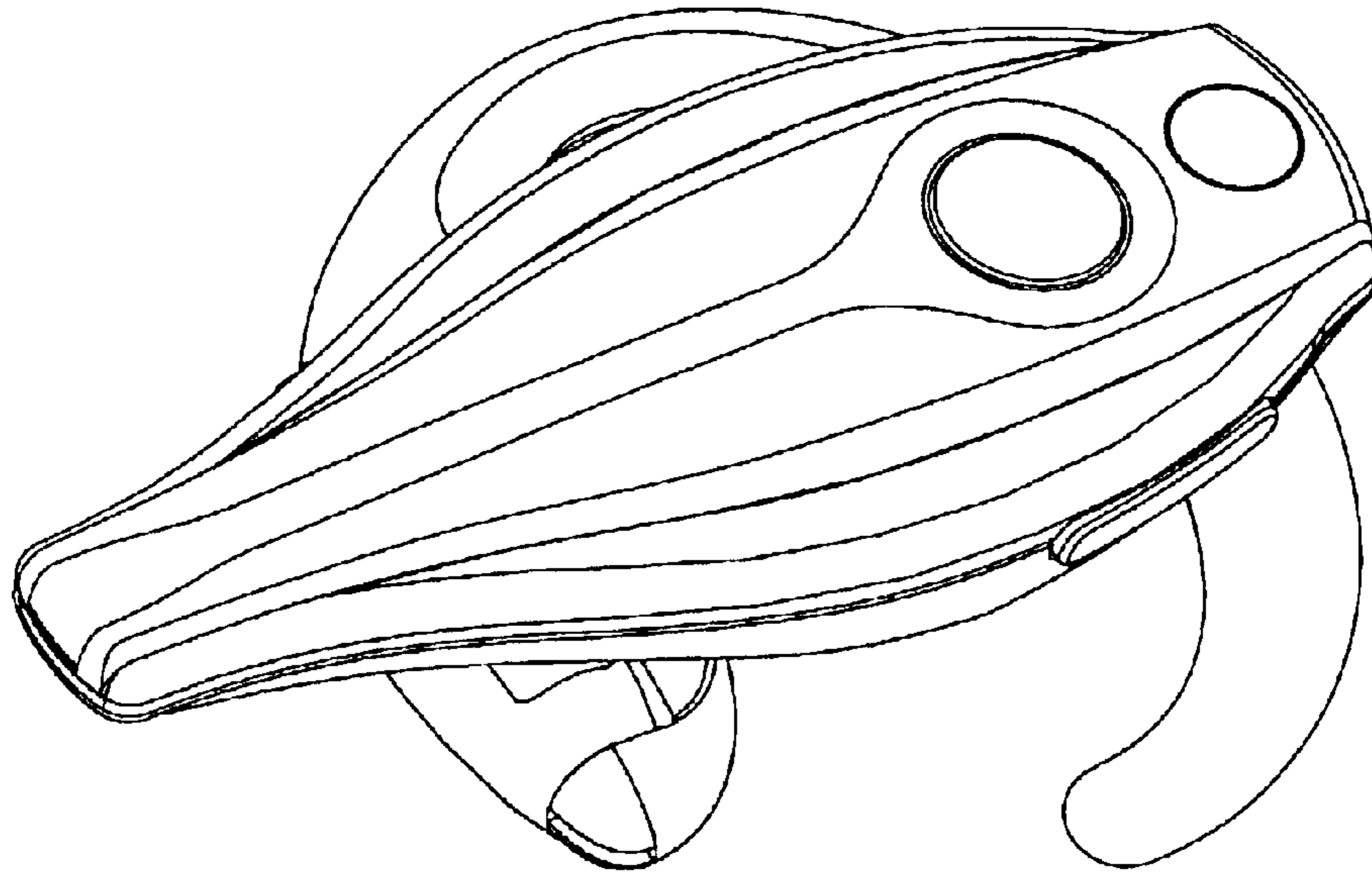


FIG. 1

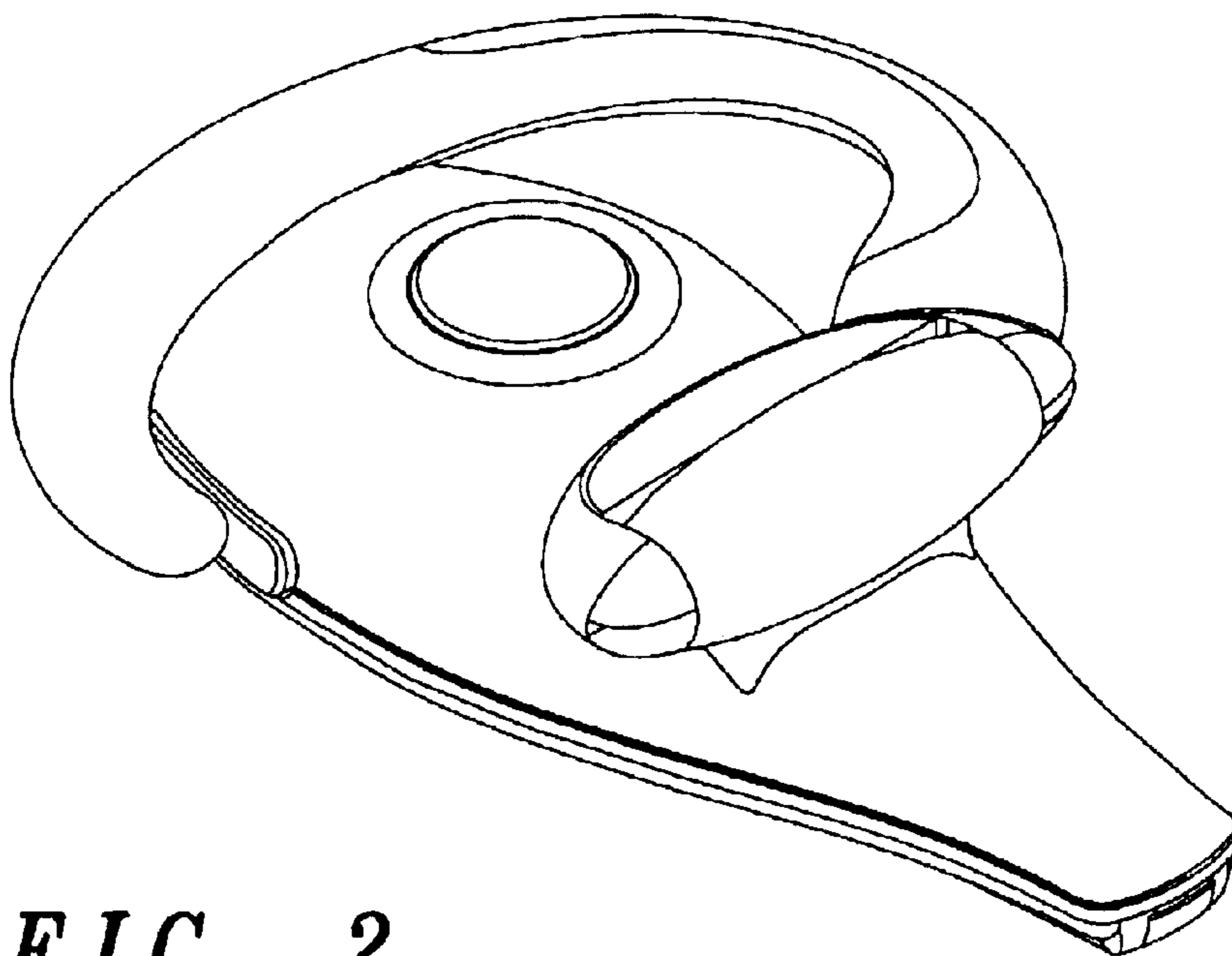


FIG. 2

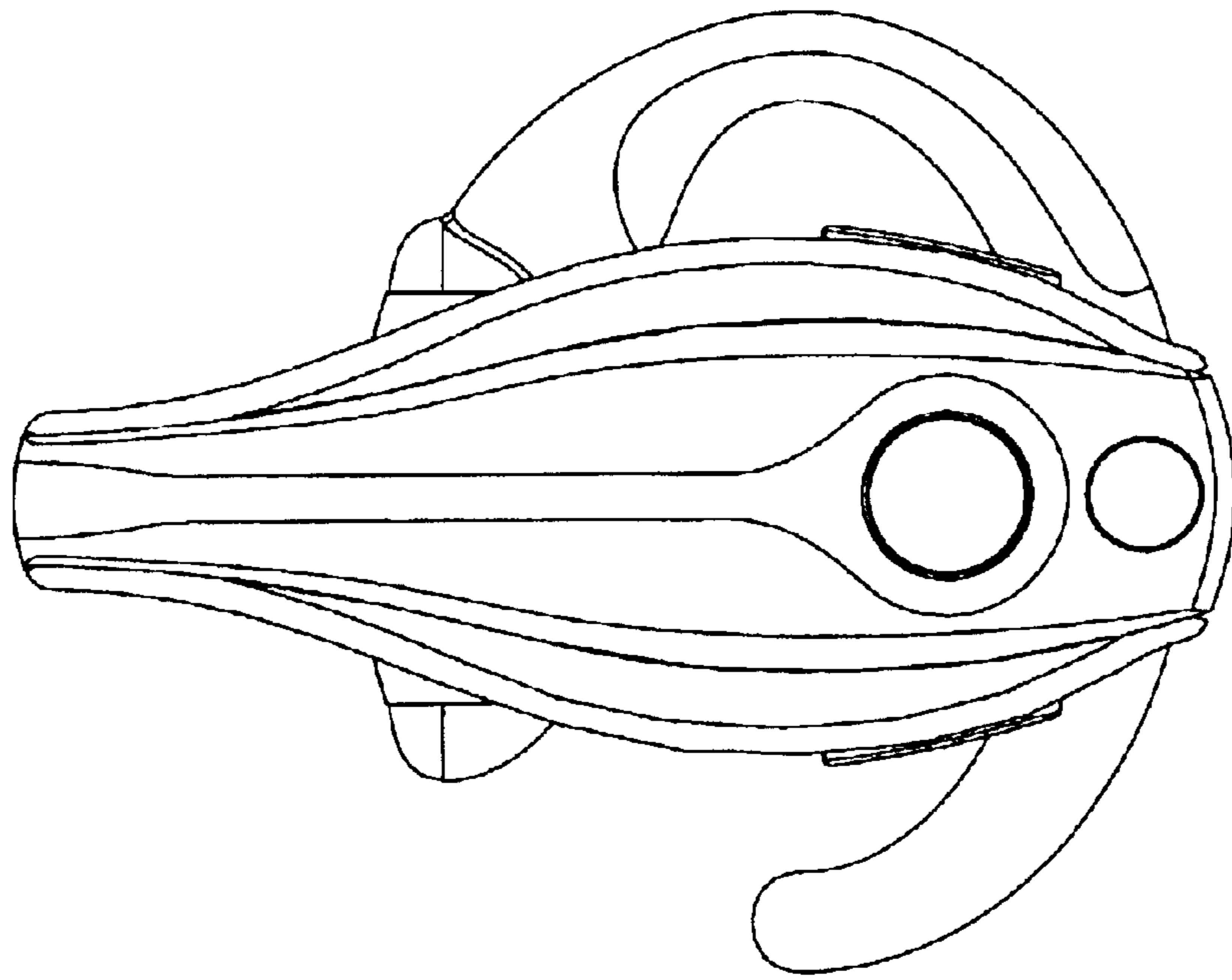


FIG. 3

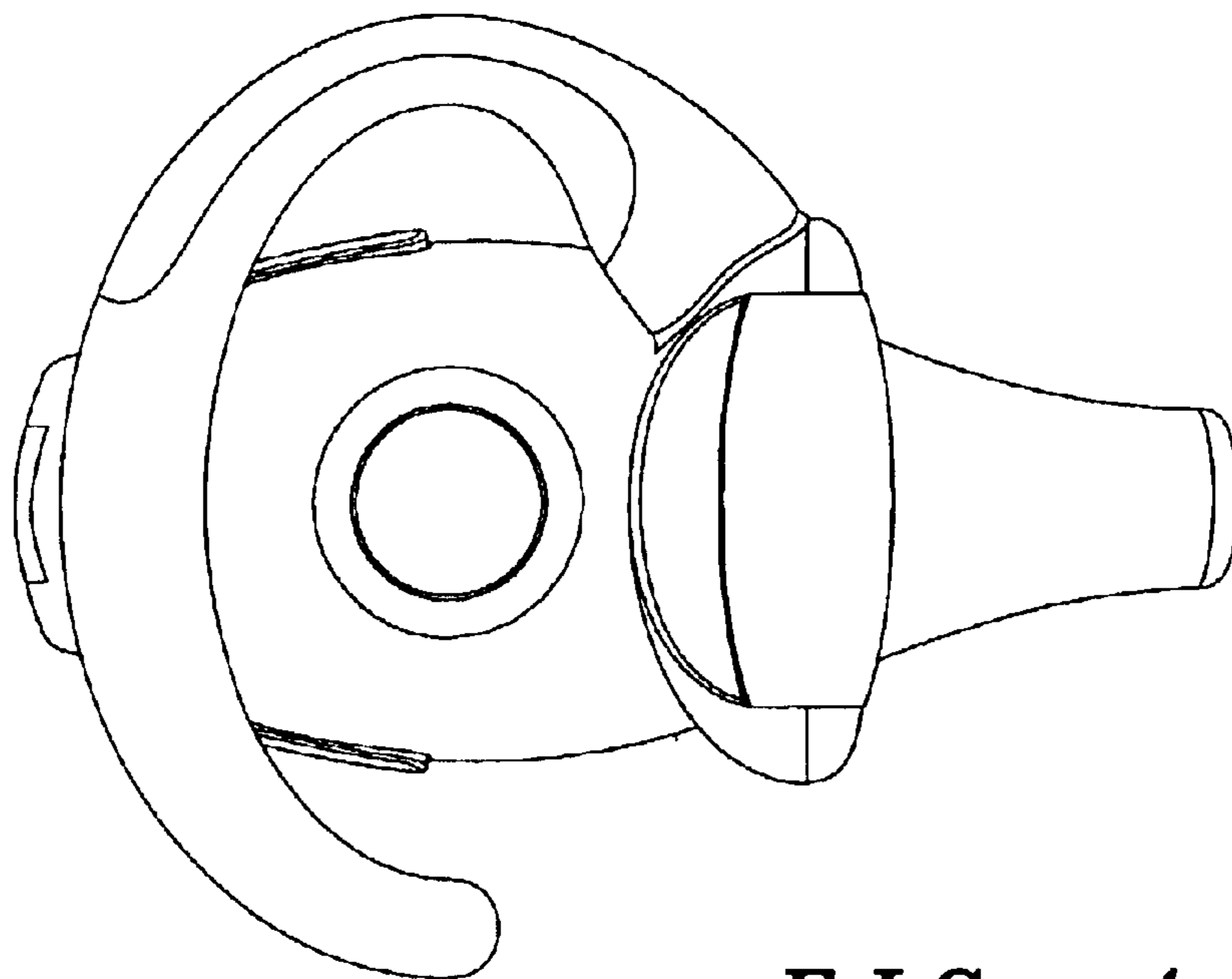


FIG. 4

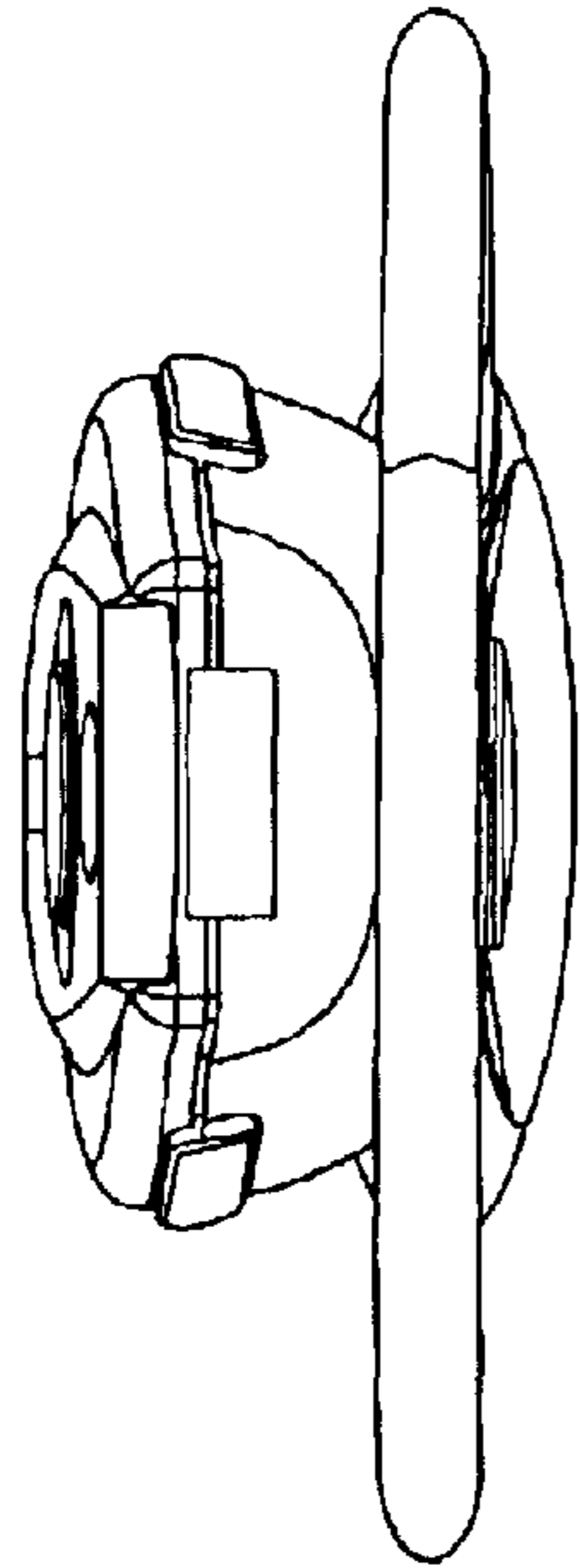


FIG. 5

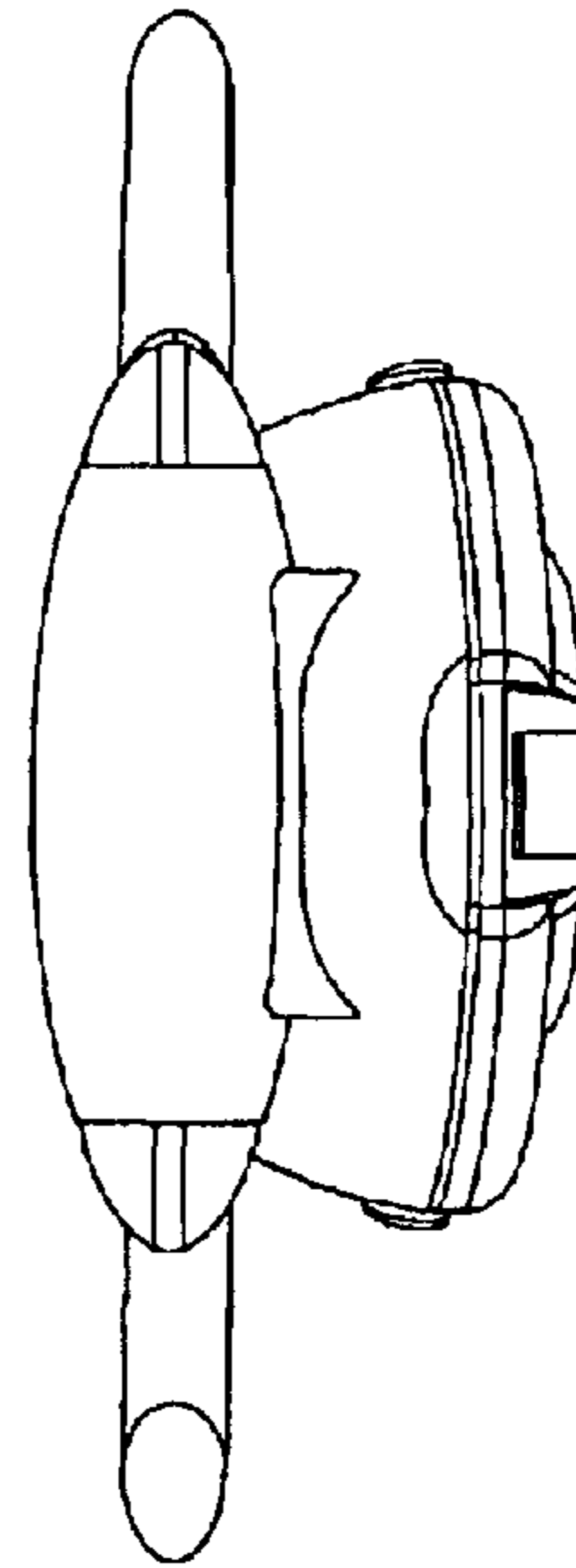


FIG. 6

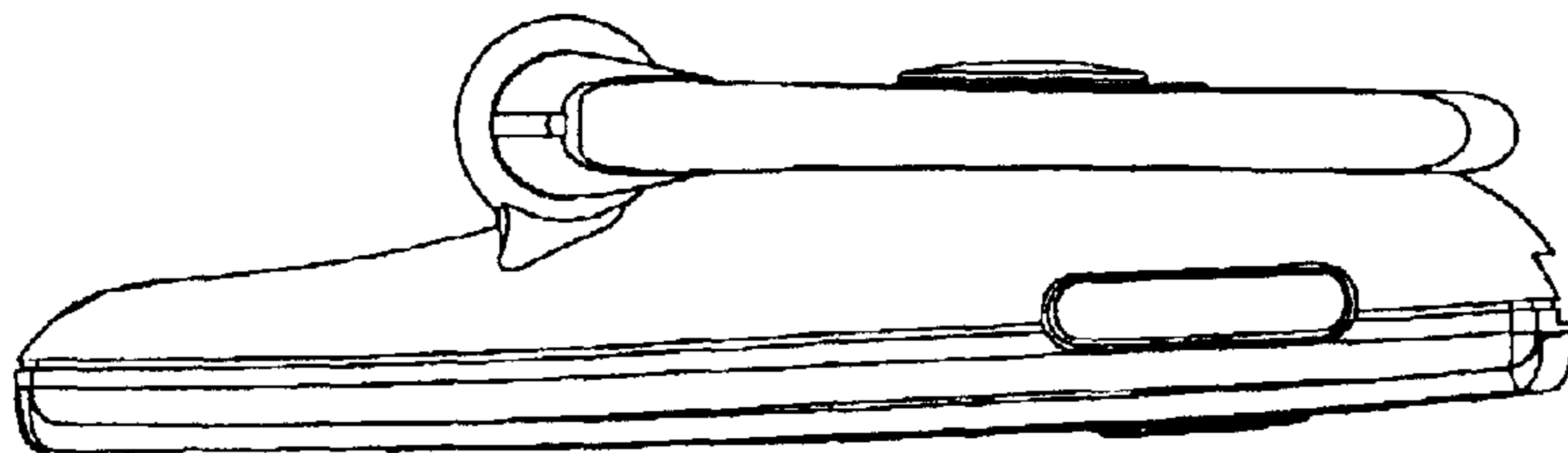


FIG. 7

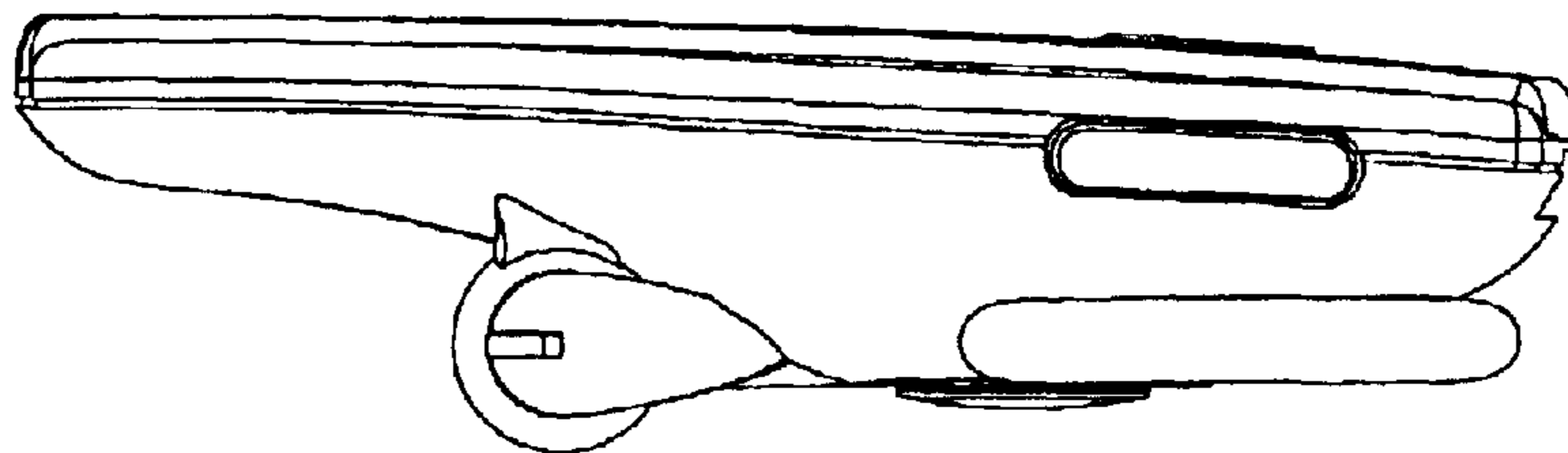


FIG. 8