

US00D498742S

(12) **United States Design Patent**
Green

(10) **Patent No.:** **US D498,742 S**

(45) **Date of Patent:** **** Nov. 23, 2004**

(54) **RADIO**

(75) **Inventor:** **Seth N. Green**, Newton, MA (US)

(73) **Assignee:** **Bose Corporation**, Framingham, MA (US)

(**) **Term:** **14 Years**

(21) **Appl. No.:** **29/191,591**

(22) **Filed:** **Oct. 9, 2003**

(51) **LOC (7) Cl.** **14-03**

(52) **U.S. Cl.** **D14/188**

(58) **Field of Search** D14/188, 189,
D14/168-171, 193-198; D10/2, 15; 455/344-351;
369/6, 7, 12, 75.1

(56) **References Cited**

U.S. PATENT DOCUMENTS

2,510,103 A	*	6/1950	Griffin	455/348
2,519,292 A	*	8/1950	Schaefer	369/12
3,496,297 A	*	2/1970	Brumberger	381/118
4,940,414 A	*	7/1990	Lee	439/131
D419,558 S	*	1/2000	Bhavani	D14/194
6,049,290 A	*	4/2000	Halstead	340/7.63

D428,612 S	*	7/2000	Scorrano	D14/194
6,147,938 A	*	11/2000	Ogawa et al.	369/12
D443,602 S	*	6/2001	Scorrano	D14/194
D473,208 S	*	4/2003	Solland	D14/188
D473,209 S	*	4/2003	Solland	D14/188
D473,210 S	*	4/2003	Solland	D14/188

* cited by examiner

Primary Examiner—Prabhakar Deshmukh

(74) *Attorney, Agent, or Firm*—Fish & Richardson P.C.

(57) **CLAIM**

The ornamental design for a radio, substantially as shown and described.

DESCRIPTION

FIG. 1 is a perspective view of a radio showing my new design;

FIG. 2 is a front elevational view thereof;

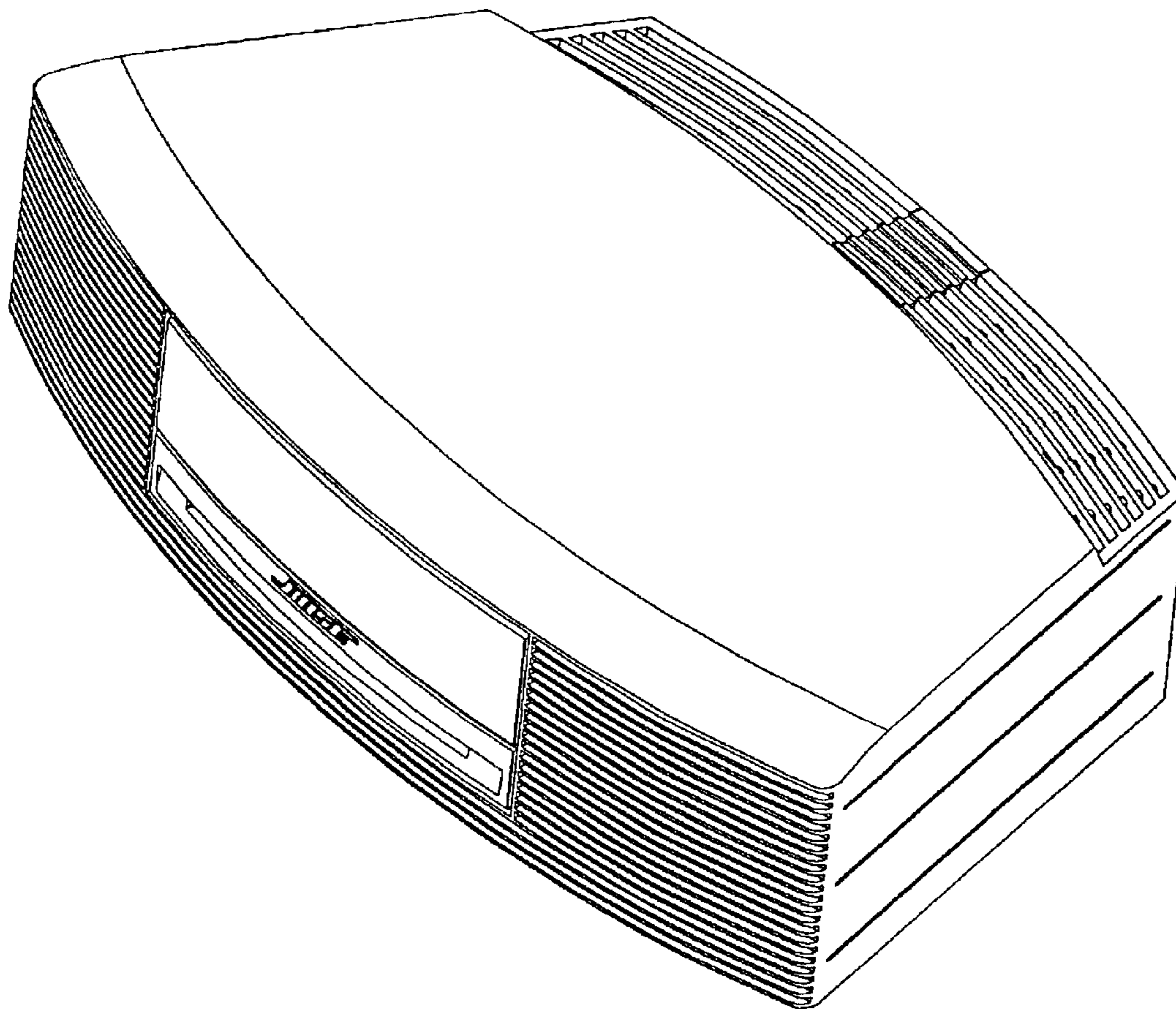
FIG. 3 is a top plan view thereof;

FIG. 4 is a rear elevational view thereof;

FIG. 5 is a bottom plan view thereof; and,

FIG. 6 is a right side elevational view thereof, the left side elevational view being a mirror image thereof.

1 Claim, 6 Drawing Sheets



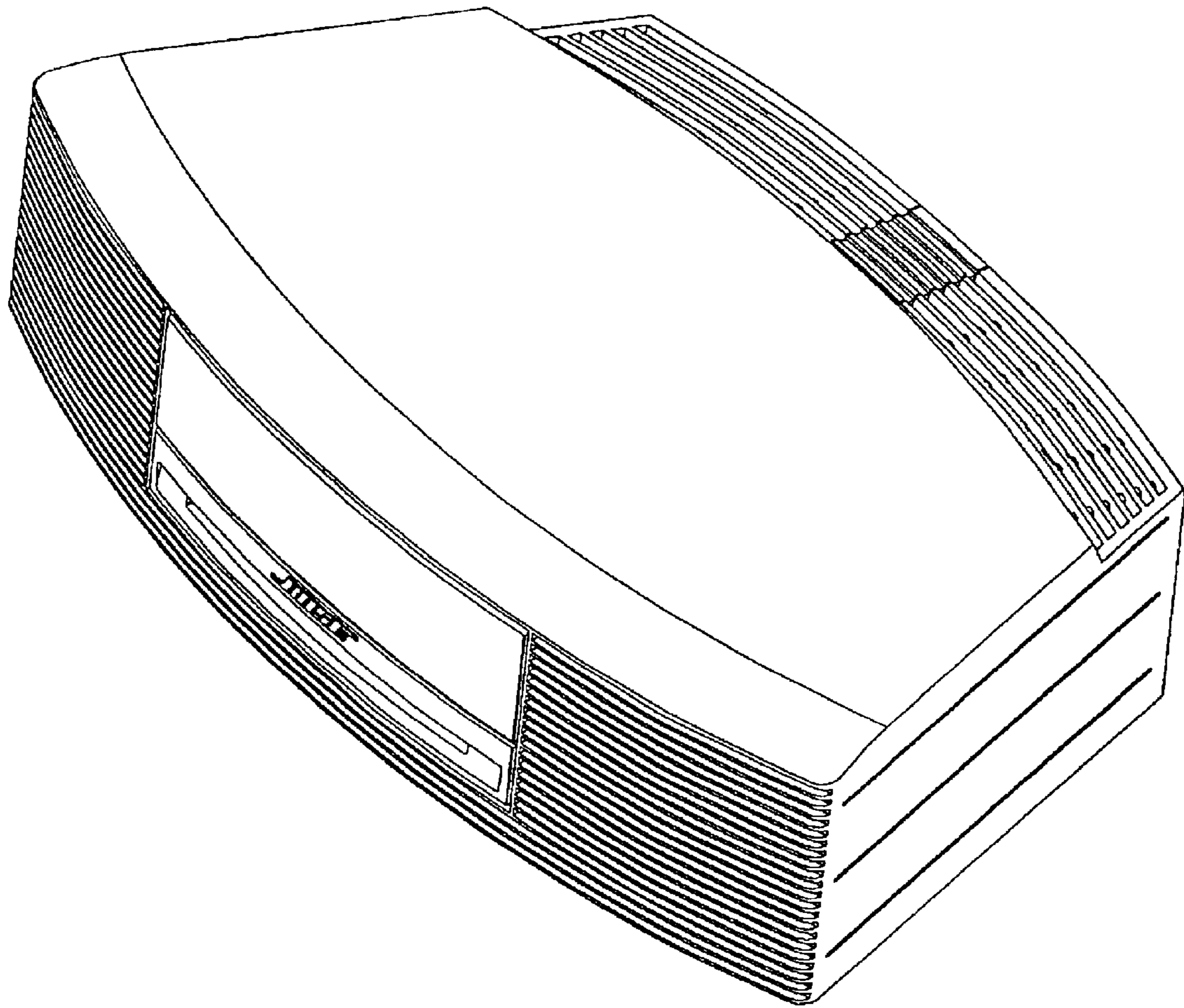


FIG. 1

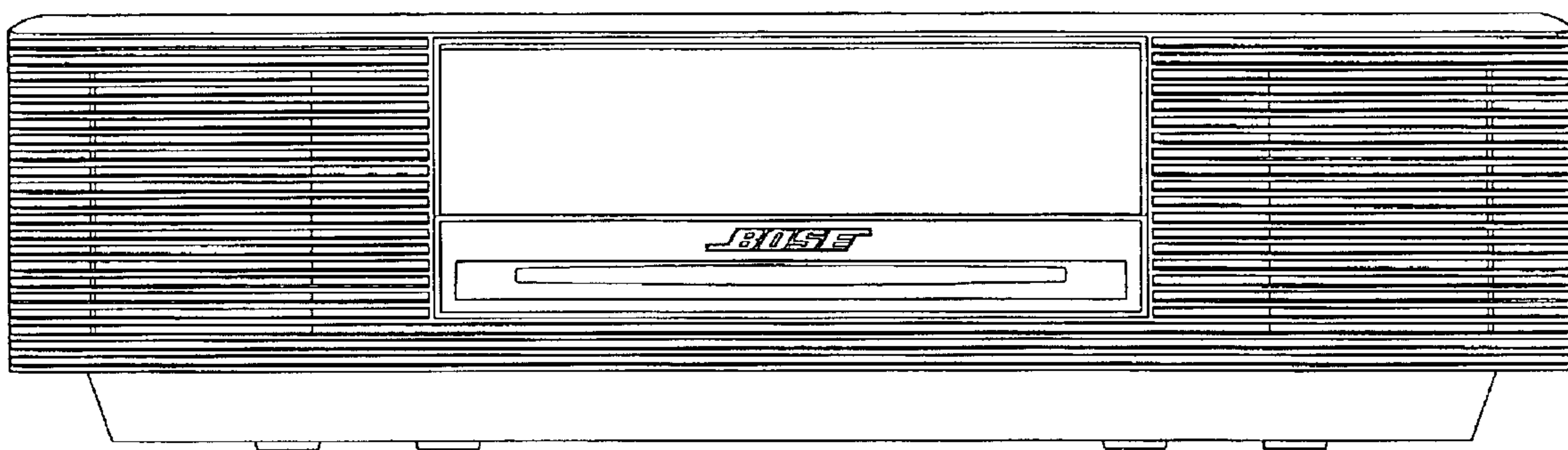


FIG. 2

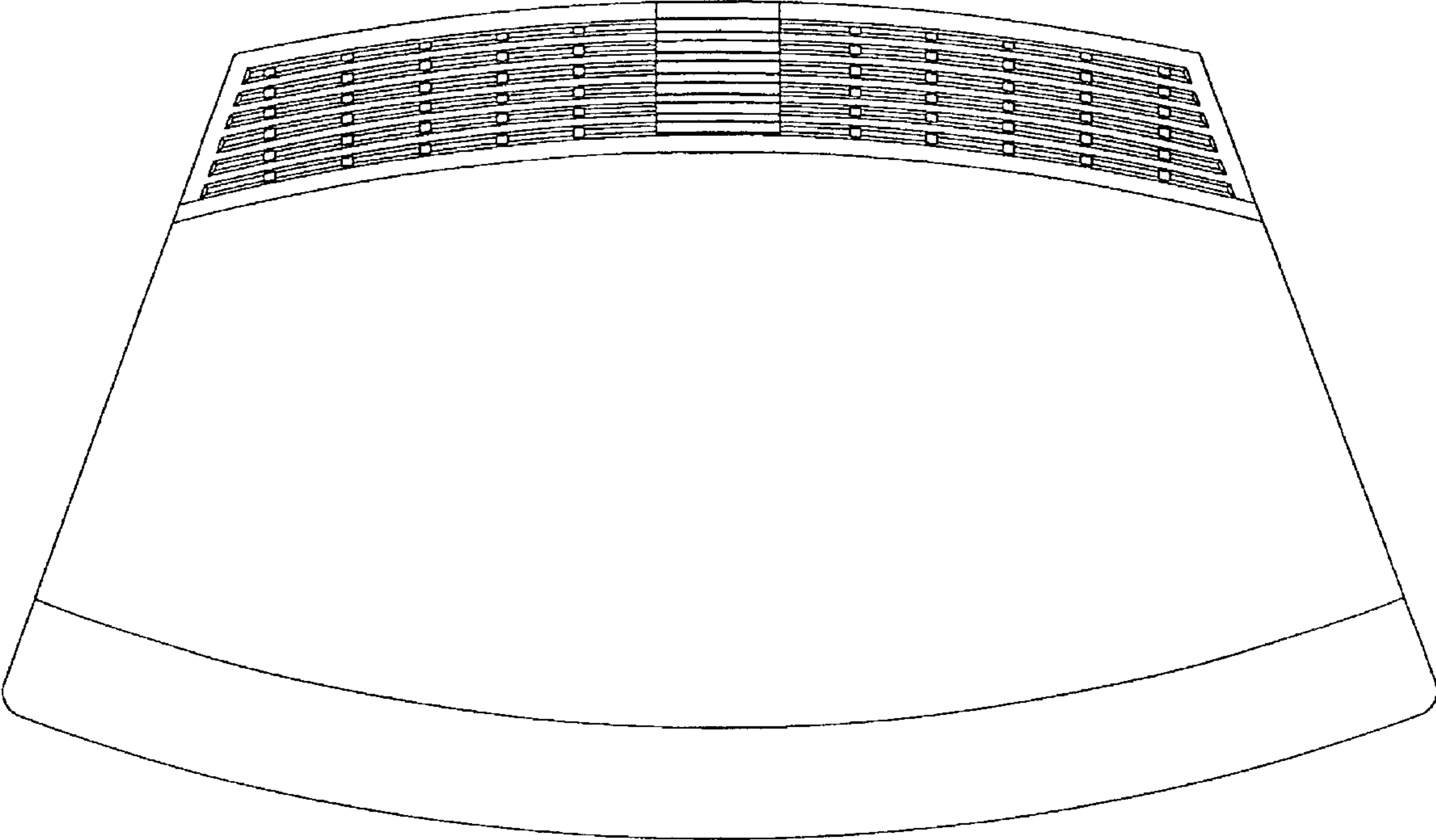


FIG. 3

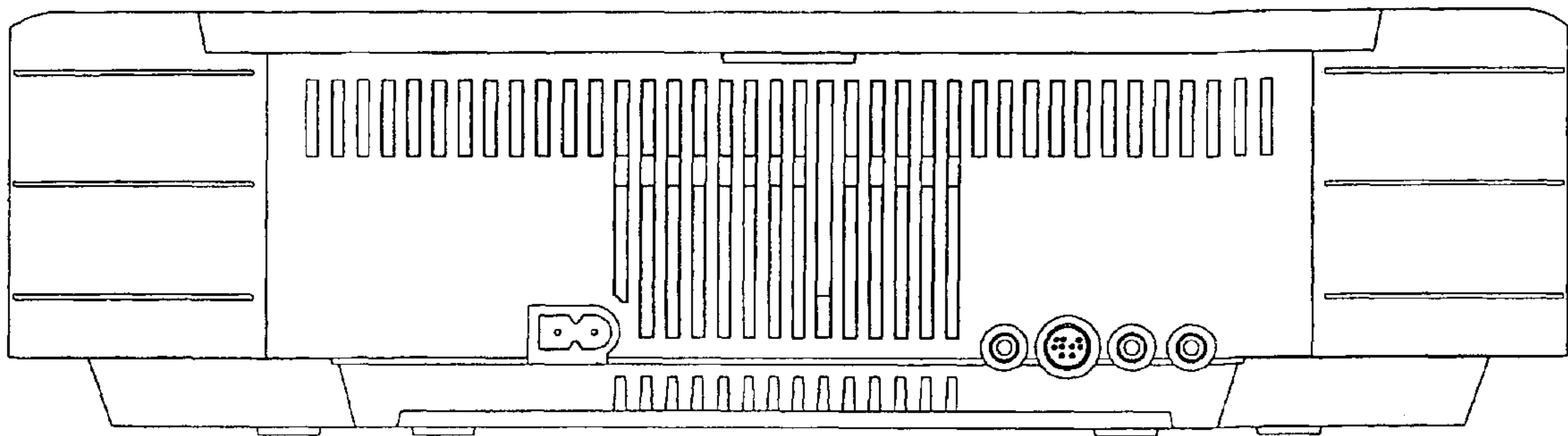


FIG. 4

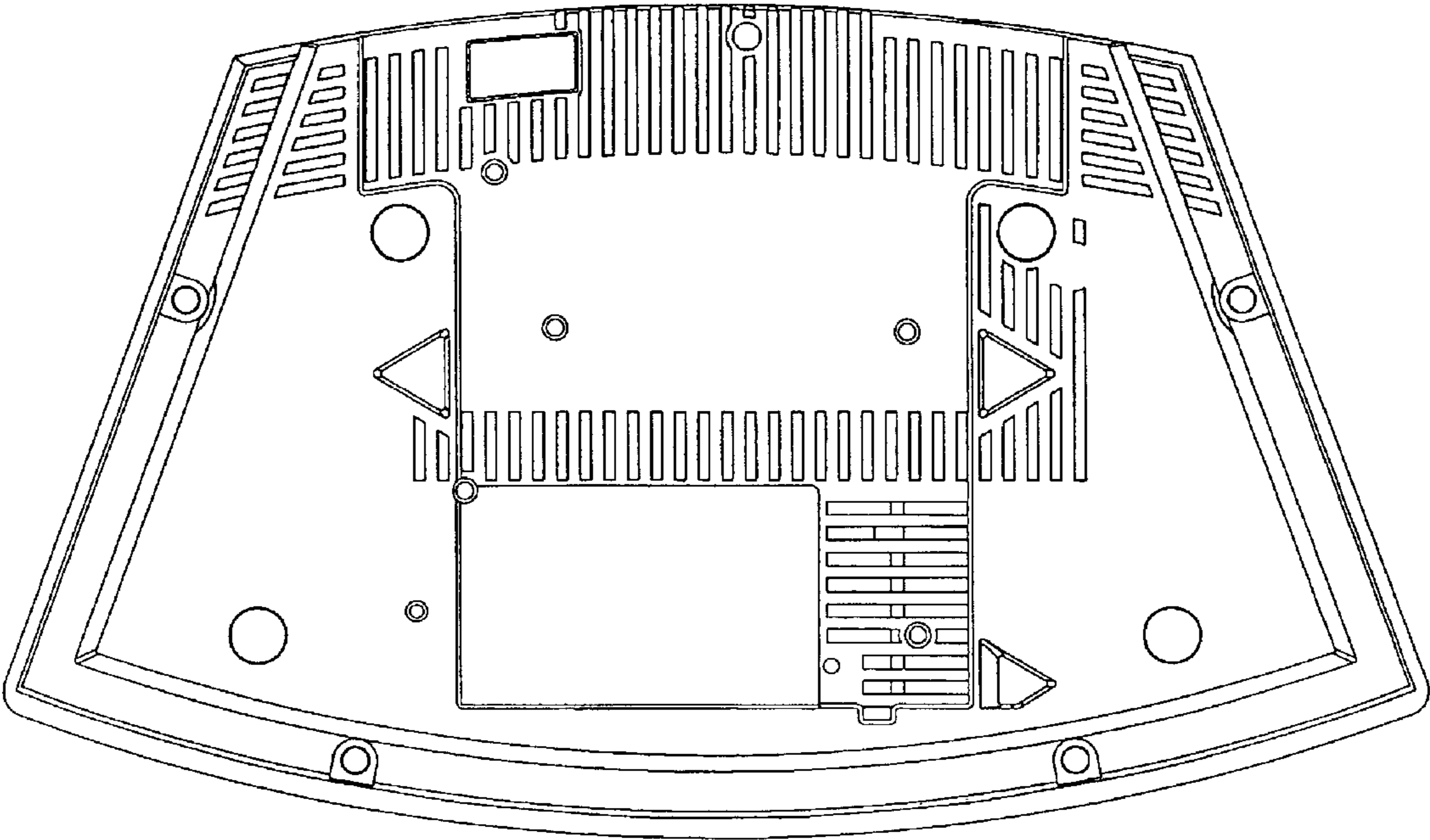


FIG. 5

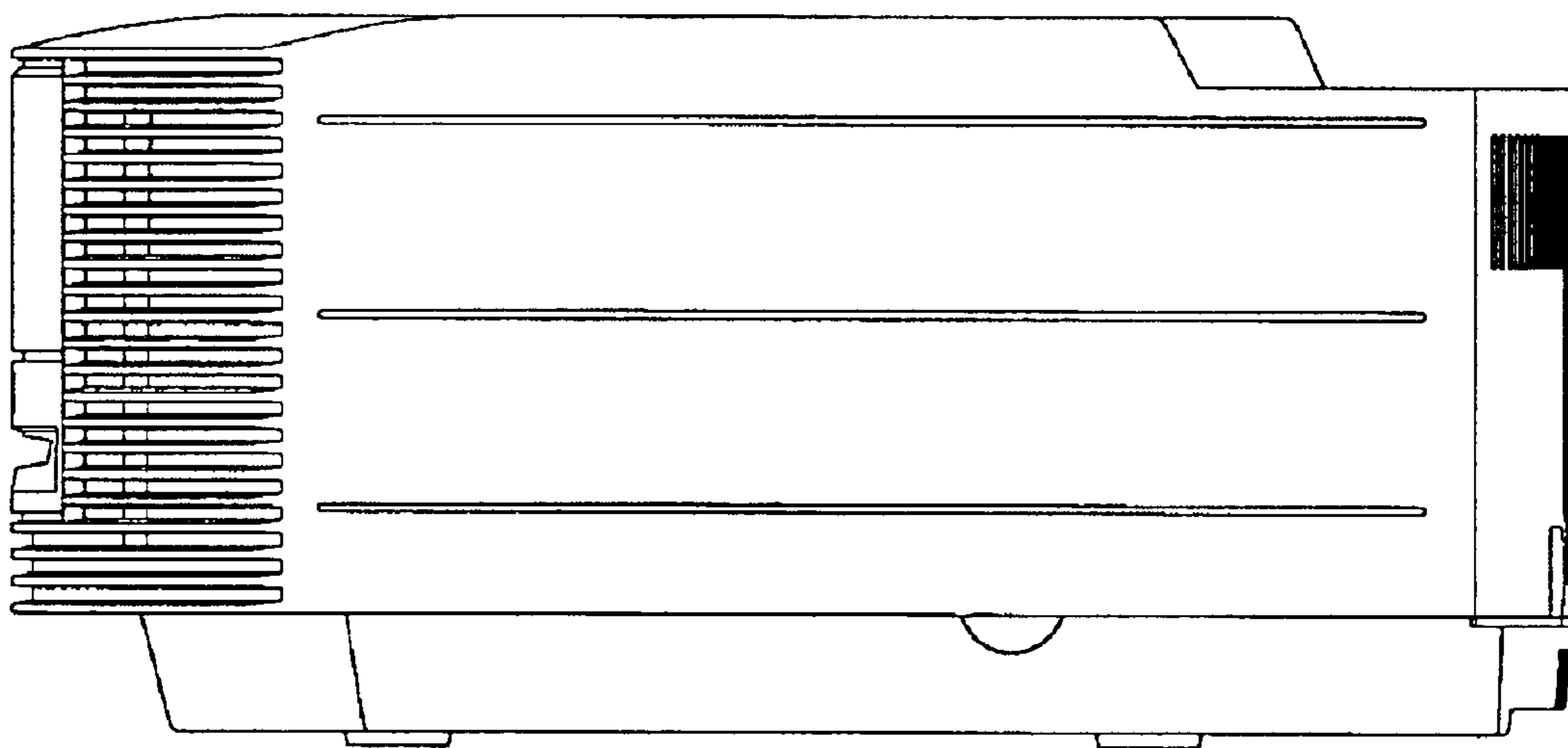


FIG. 6