



US00D498740S

(12) **United States Design Patent**
Shiono

(10) **Patent No.:** **US D498,740 S**

(45) **Date of Patent:** **** Nov. 23, 2004**

(54) **DISC PLAYER**

(75) Inventor: **Daisuke Shiono**, Tokyo (JP)

(73) Assignee: **Sony Corporation**, Tokyo (JP)

(**) Term: **14 Years**

(21) Appl. No.: **29/197,172**

(22) Filed: **Jan. 13, 2004**

(51) **LOC (7) Cl.** **14-01**

(52) **U.S. Cl.** **D14/156**

(58) **Field of Search** D14/135-136,
D14/156-157, 160-165, 167-168, 192-198,
496, 217; 455/347-351; 369/75.1, 75.2,
77.1, 77.2

(56) **References Cited**

U.S. PATENT DOCUMENTS

5,654,846	A	*	8/1997	Wicks et al.	369/75.1
D416,896	S	*	11/1999	Ogasawara	D14/156
D441,735	S	*	5/2001	Katayama	D14/156
D475,031	S	*	5/2003	Kataoka	D14/136

FOREIGN PATENT DOCUMENTS

JP D1164764 S 2/2003

OTHER PUBLICATIONS

Web page "MZ-N707-L(JE)" www.yodobashi.com, 1 sheet, Yodobashi Camera (Nov. 2003).

Web page "MZ-N910-L" www.yodobashi.com, 1 sheet, Yodobashi Camera (Nov. 2003).

* cited by examiner

Primary Examiner—Nanda Bondade

(74) *Attorney, Agent, or Firm*—Rader, Fishman & Grauer PLLC

(57) **CLAIM**

The ornamental design for a disc player, as shown.

DESCRIPTION

FIG. 1 is a perspective view of a disc player showing my new design;

FIG. 2 is a front elevational view thereof;

FIG. 3 is a rear elevational view thereof;

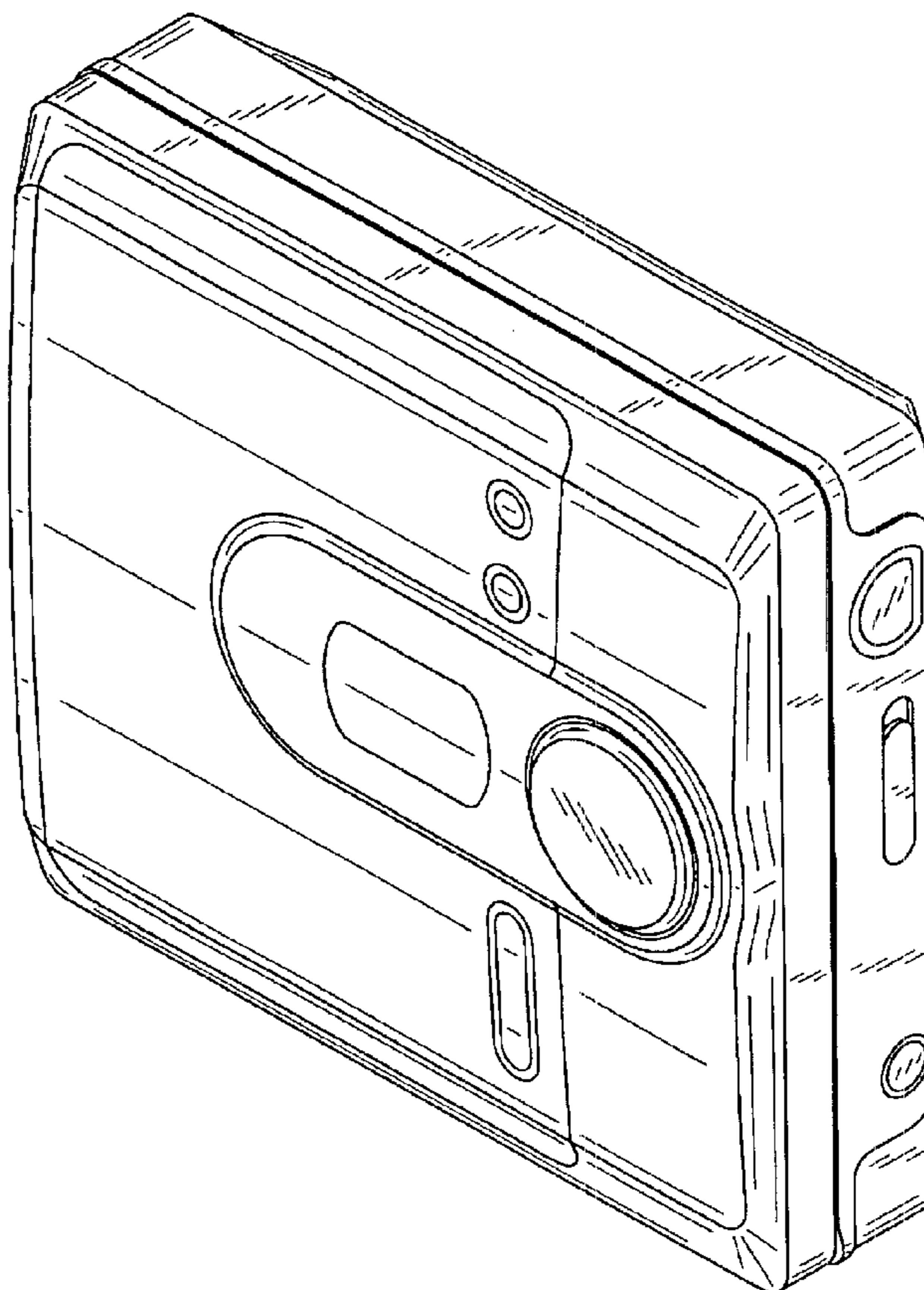
FIG. 4 is a left side elevational view thereof;

FIG. 5 is a right side elevational view thereof;

FIG. 6 is a top plan view thereof; and,

FIG. 7 is a bottom plan view thereof.

1 Claim, 4 Drawing Sheets



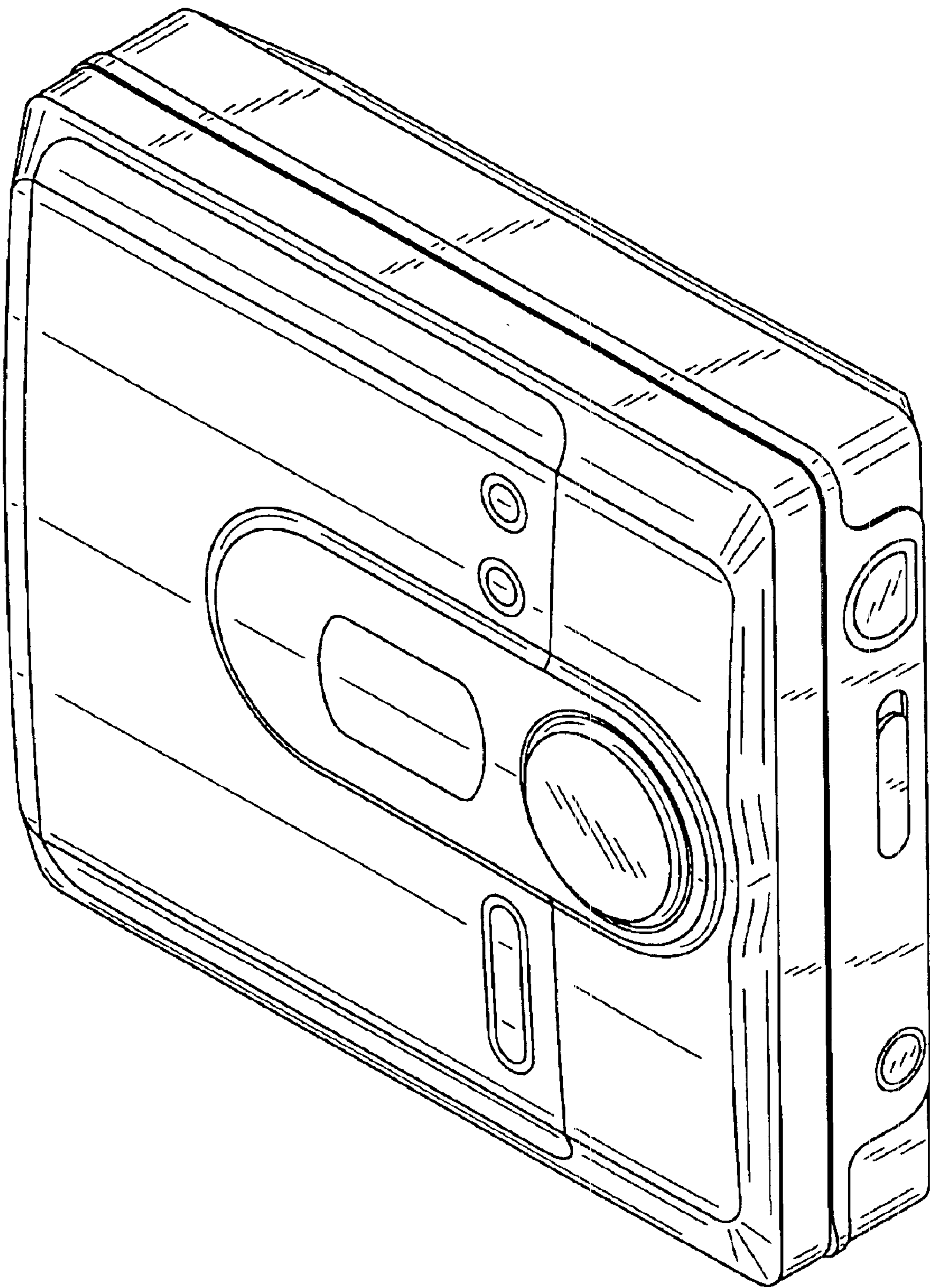


FIG. 1

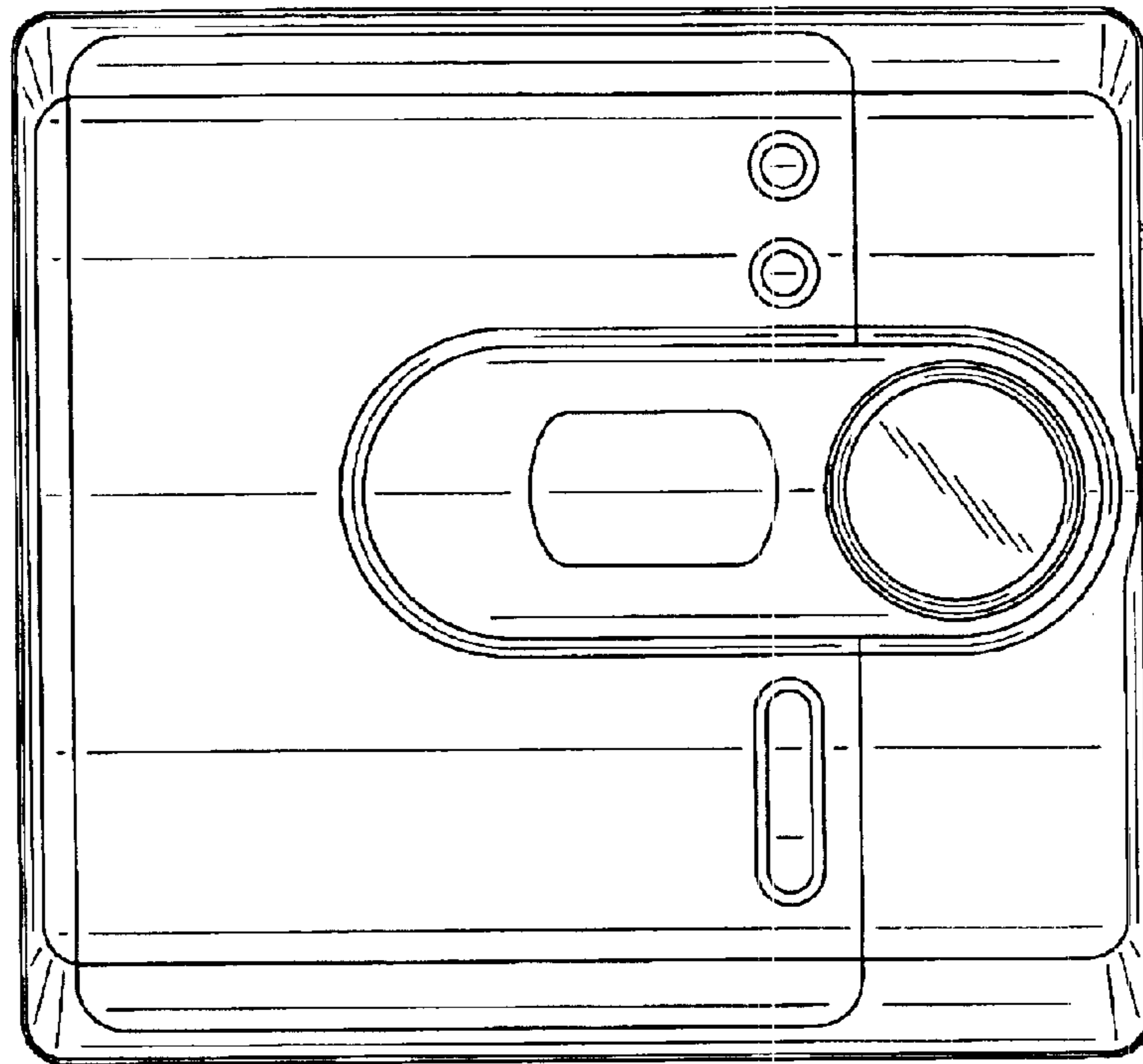


FIG. 2

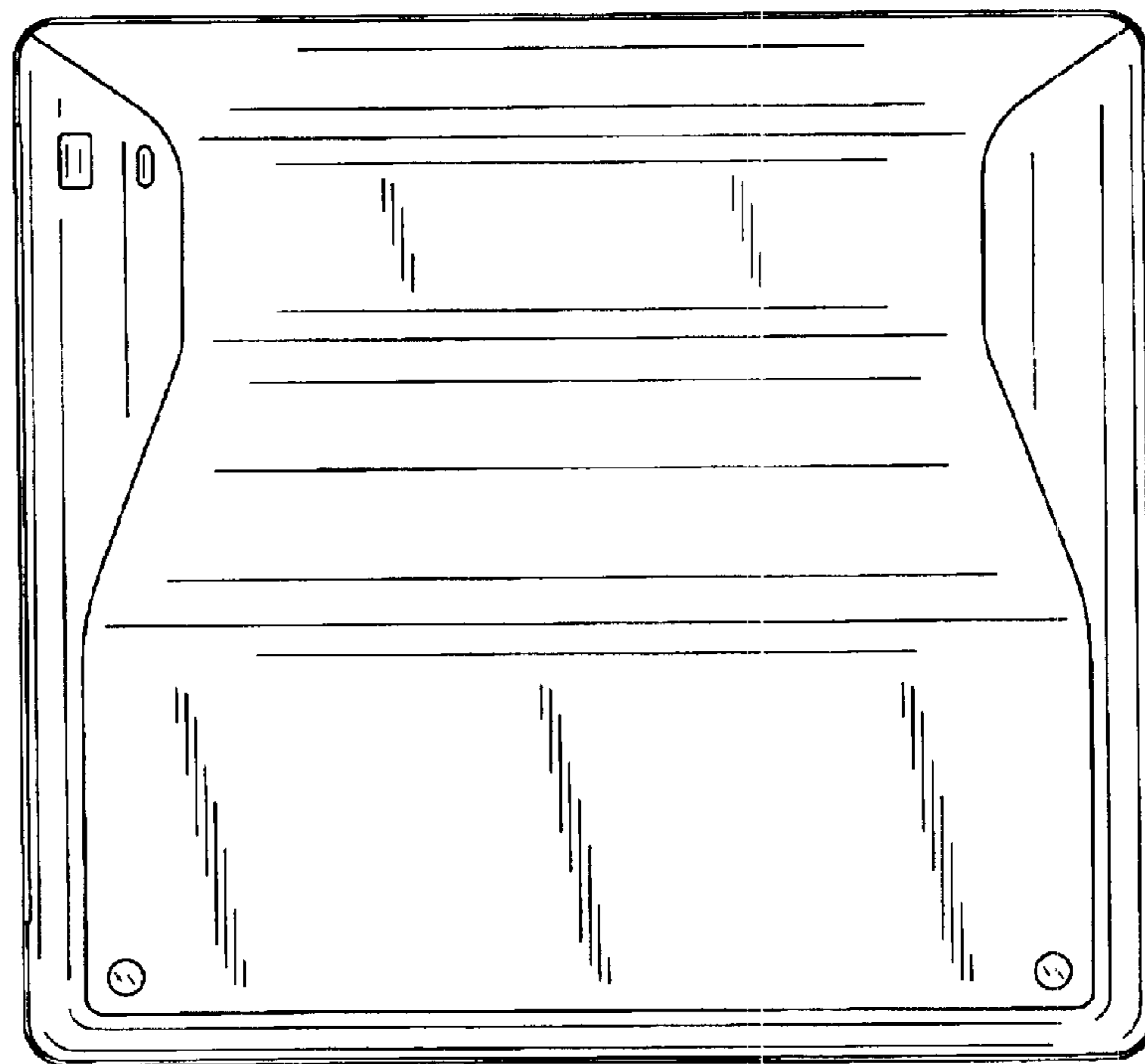


FIG. 3

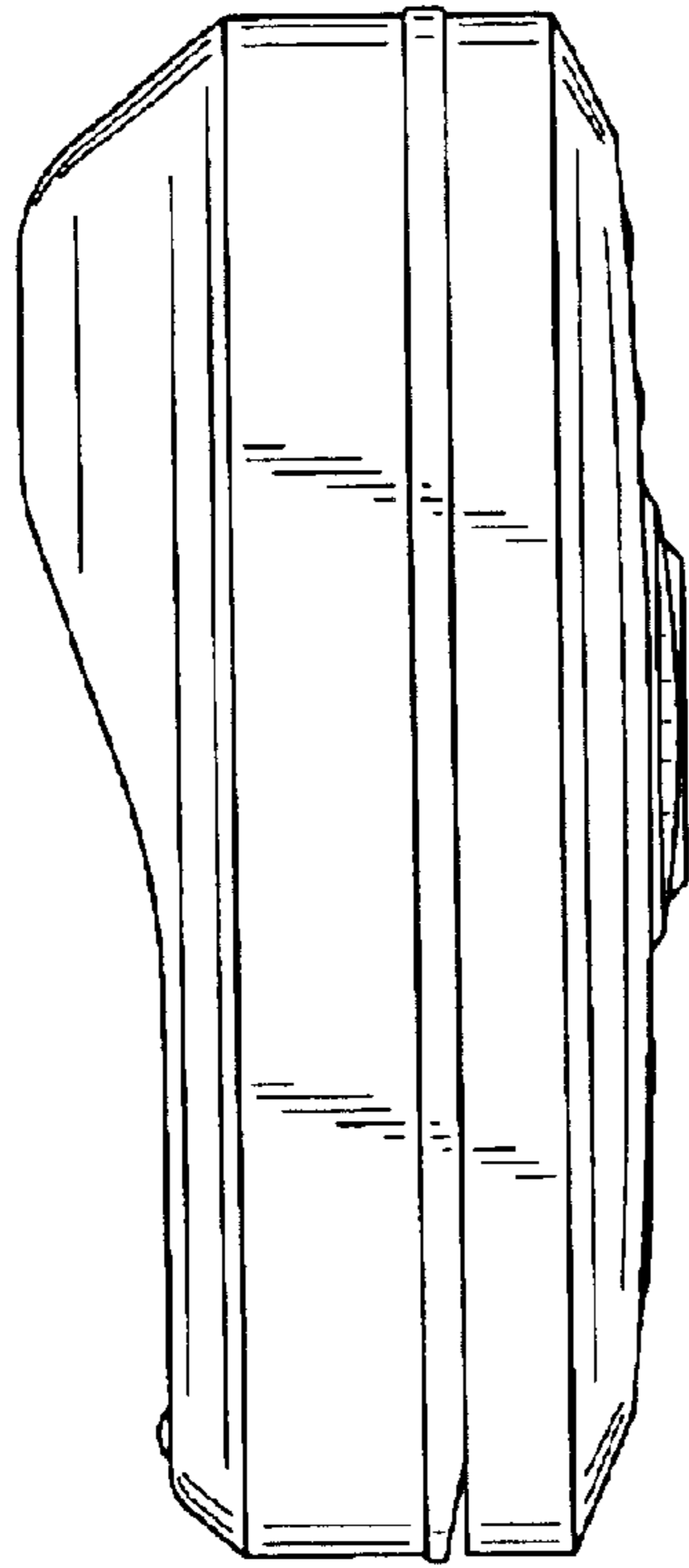


FIG. 4

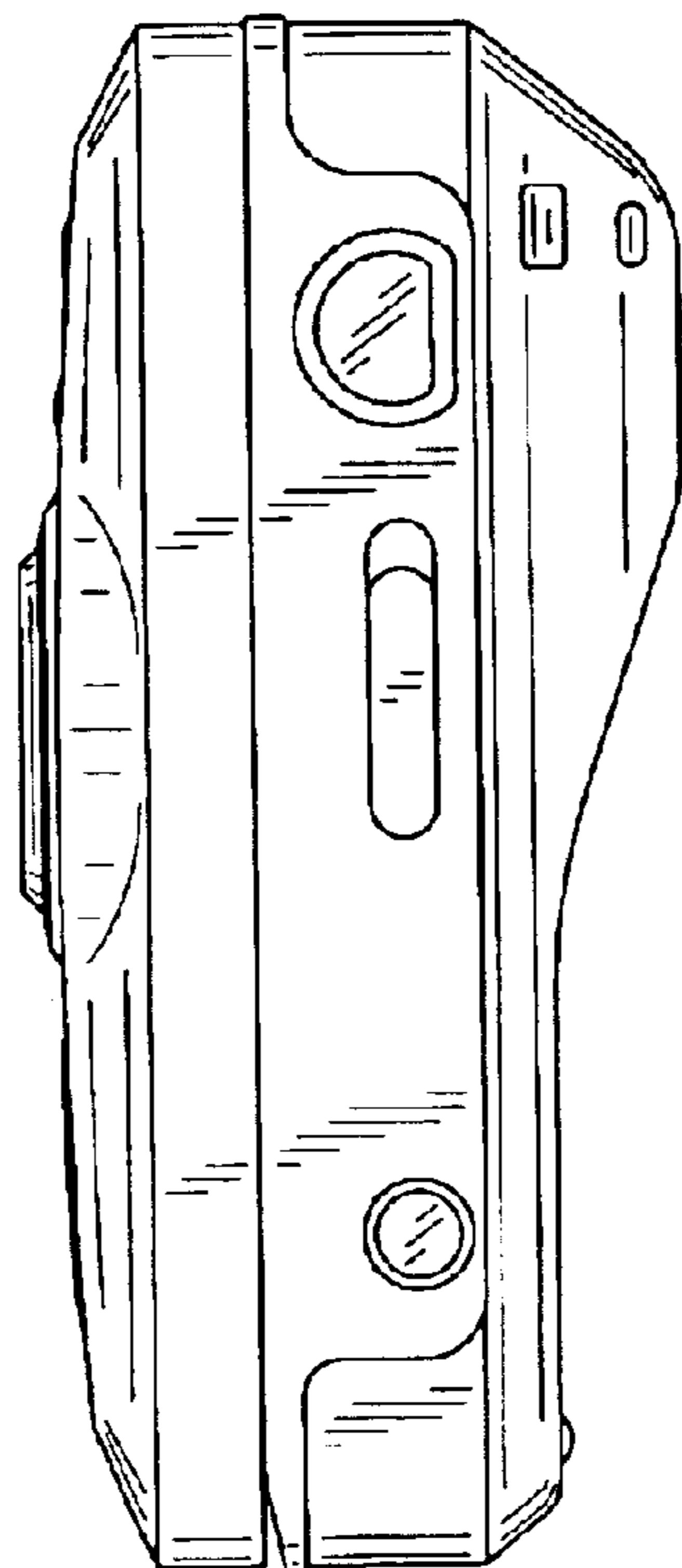


FIG. 5

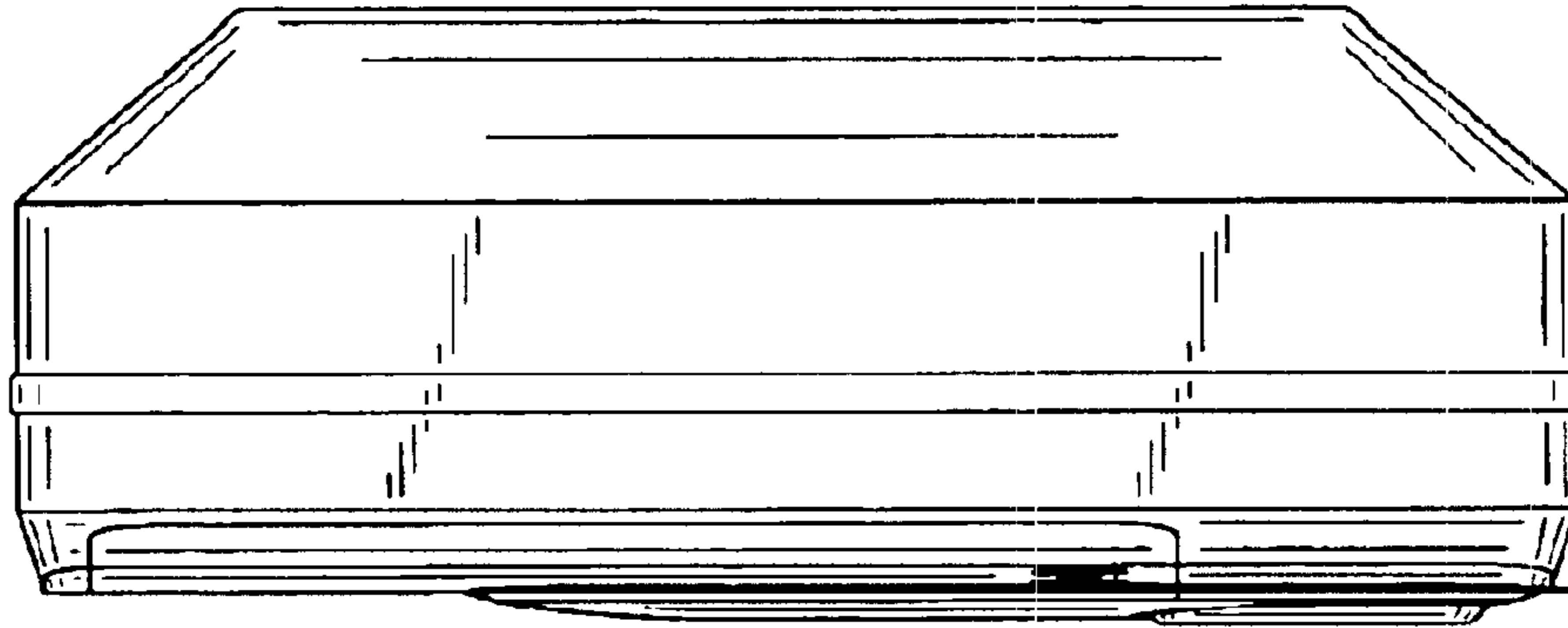


FIG. 6

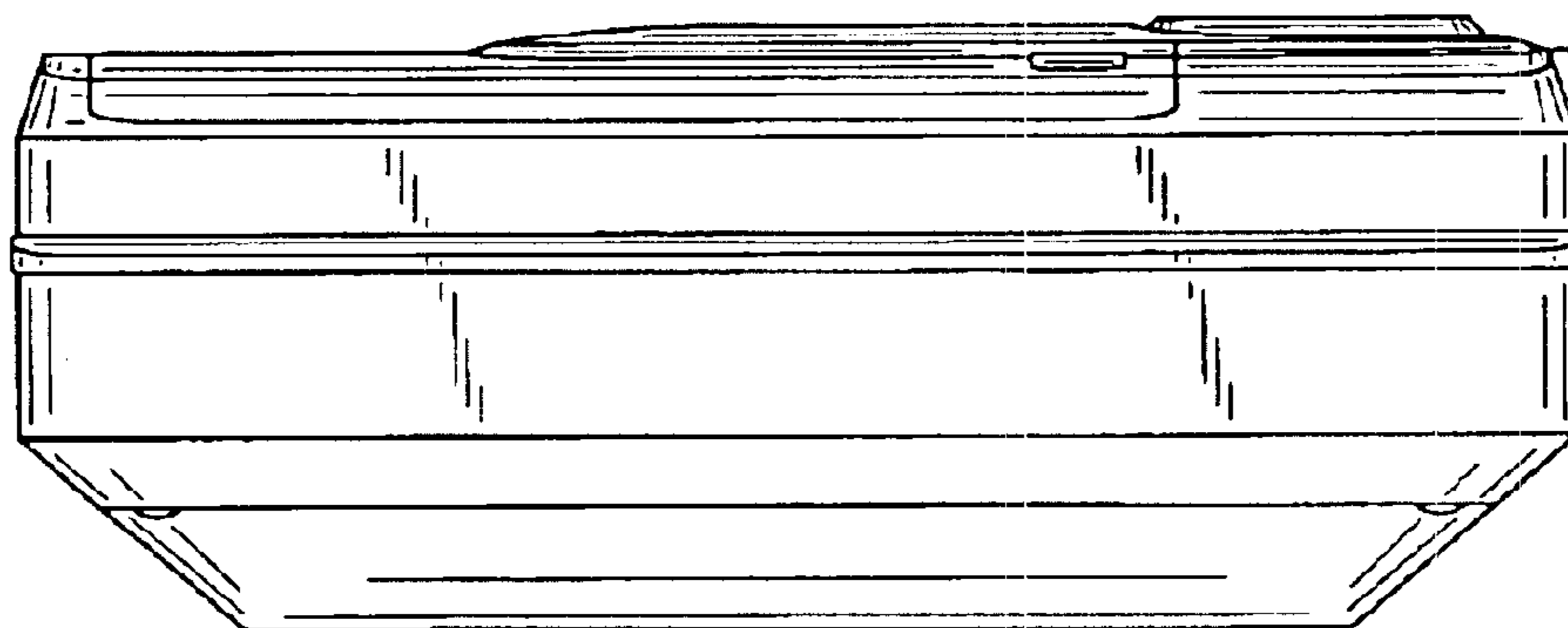


FIG. 7