

US00D498739S

(12) **United States Design Patent**
Nakano

(10) **Patent No.:** **US D498,739 S**

(45) **Date of Patent:** **** Nov. 23, 2004**

(54) **DISC PLAYER**

D470,470 S * 2/2003 Yamada et al. D14/167

(75) Inventor: **Rumi Nakano, Tokyo (JP)**

FOREIGN PATENT DOCUMENTS

(73) Assignee: **Sony Corporation, Tokyo (JP)**

JP D1164764 S 2/2003

(**) Term: **14 Years**

* cited by examiner

(21) Appl. No.: **29/196,101**

Primary Examiner—Nanda Bondade
(74) *Attorney, Agent, or Firm*—Rader, Fishman & Grauer
PLLC

(22) Filed: **Dec. 23, 2003**

(51) **LOC (7) Cl.** **14-01**

(52) **U.S. Cl.** **D14/156**

(58) **Field of Search** 514/135–136,
514/156–157, 160–165, 167–168; D14/192–198,
496, 217; 455/347–351; 369/75.1, 75.2,
77.1, 77.2

(57) **CLAIM**

The ornamental design for a disc player, as shown and described.

(56) **References Cited**

U.S. PATENT DOCUMENTS

- D400,528 S * 11/1998 Kanatani D14/156
- D415,757 S * 10/1999 Takahashi et al. D14/156
- D416,896 S * 11/1999 Ogasawara D14/156
- D448,012 S 9/2001 Matsuoka
- D455,141 S 4/2002 Kobayashi
- D467,563 S 12/2002 Matsuoka
- D467,893 S 12/2002 Yamada
- D469,109 S * 1/2003 Andre et al. D14/496

DESCRIPTION

FIG. 1 is a perspective view of a disc player showing my new design;
 FIG. 2 is a front elevational view thereof;
 FIG. 3 is a left side elevational view thereof;
 FIG. 4 is a right side elevational view thereof;
 FIG. 5 is a top plan view thereof; and,
 FIG. 6 is a bottom plan view thereof.
 Portions of FIGS. 1–6 that are shown as broken lines are for illustrative purpose only and form no part of the claimed design.

1 Claim, 4 Drawing Sheets

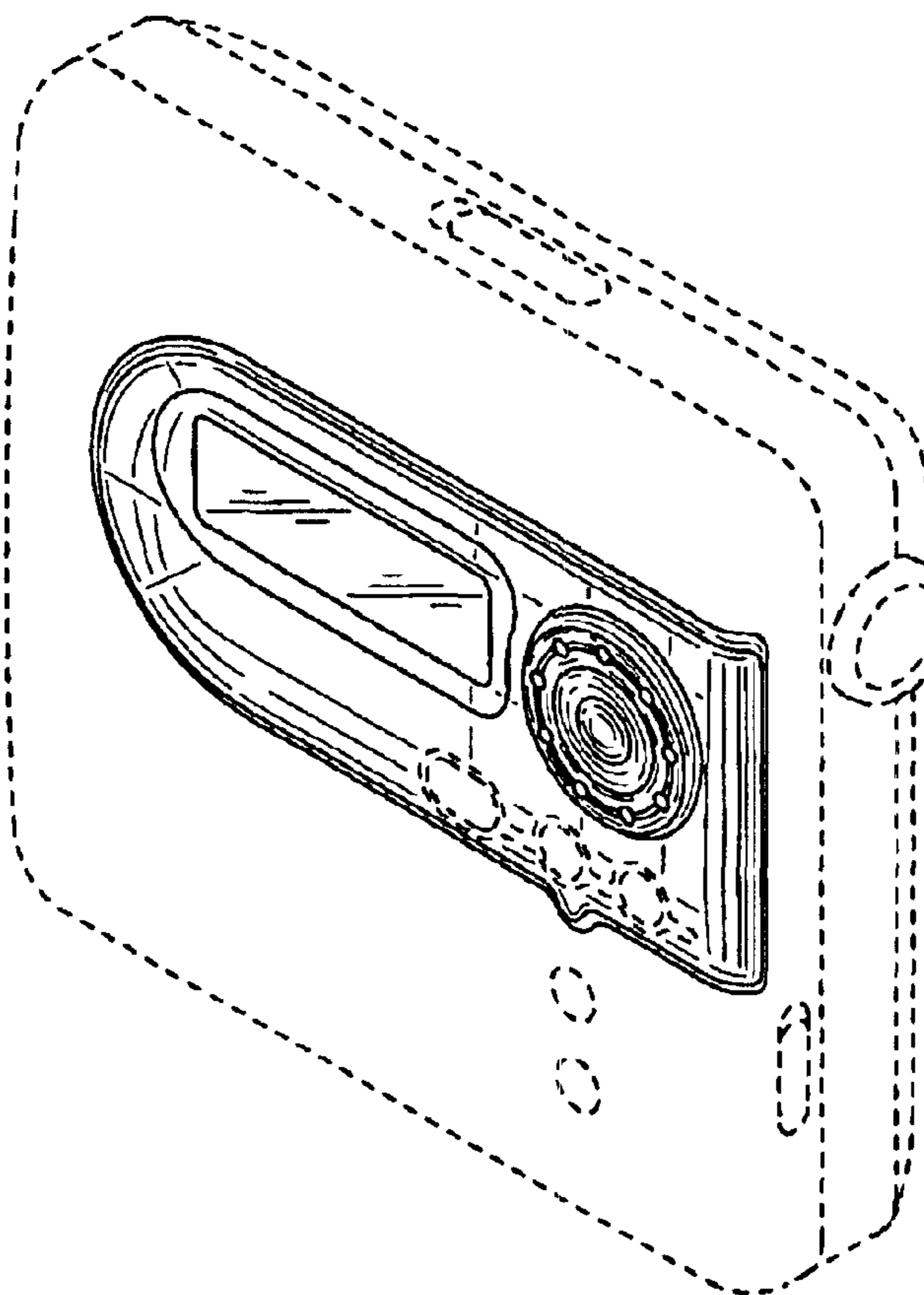


Fig. 1

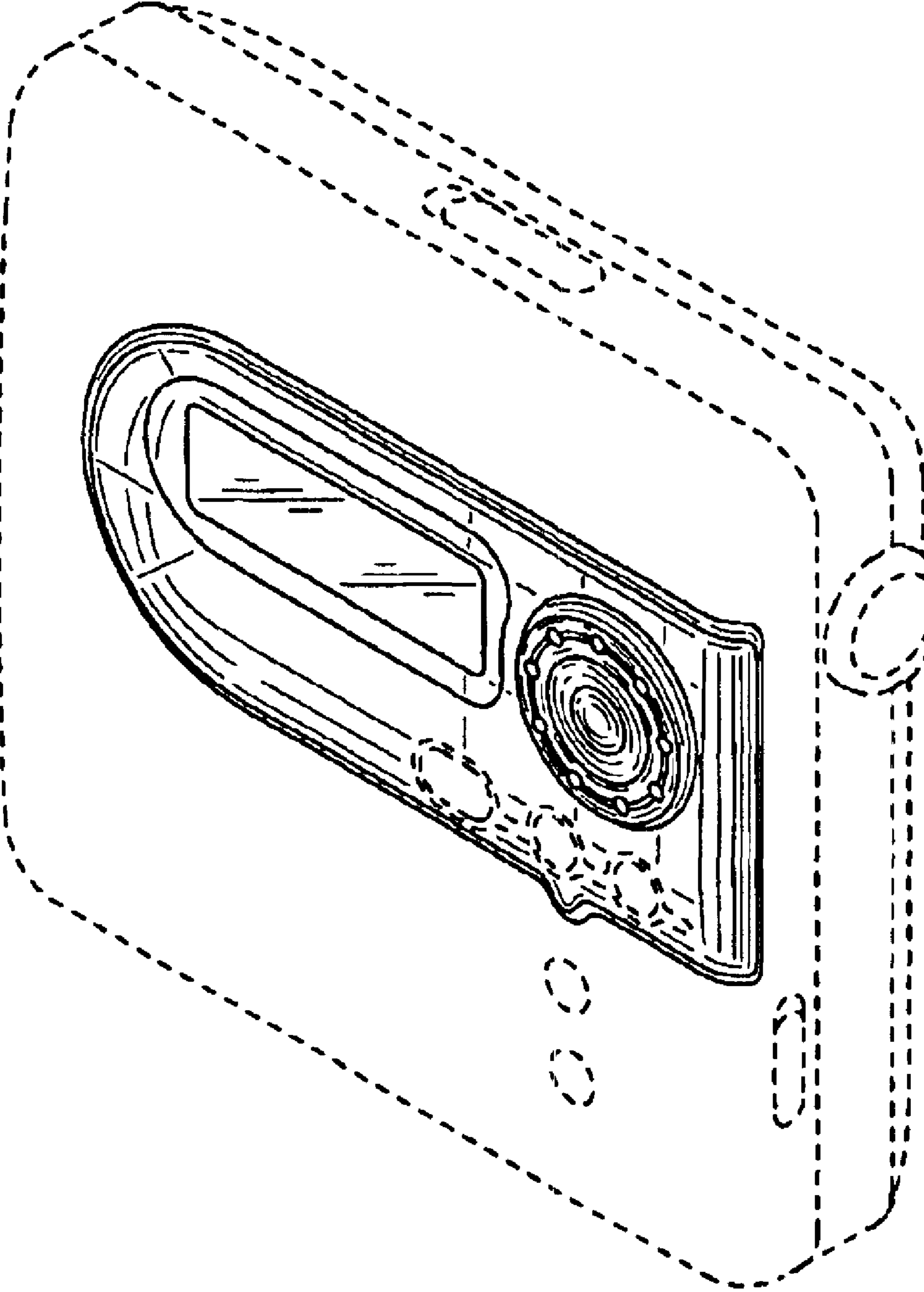


Fig.2

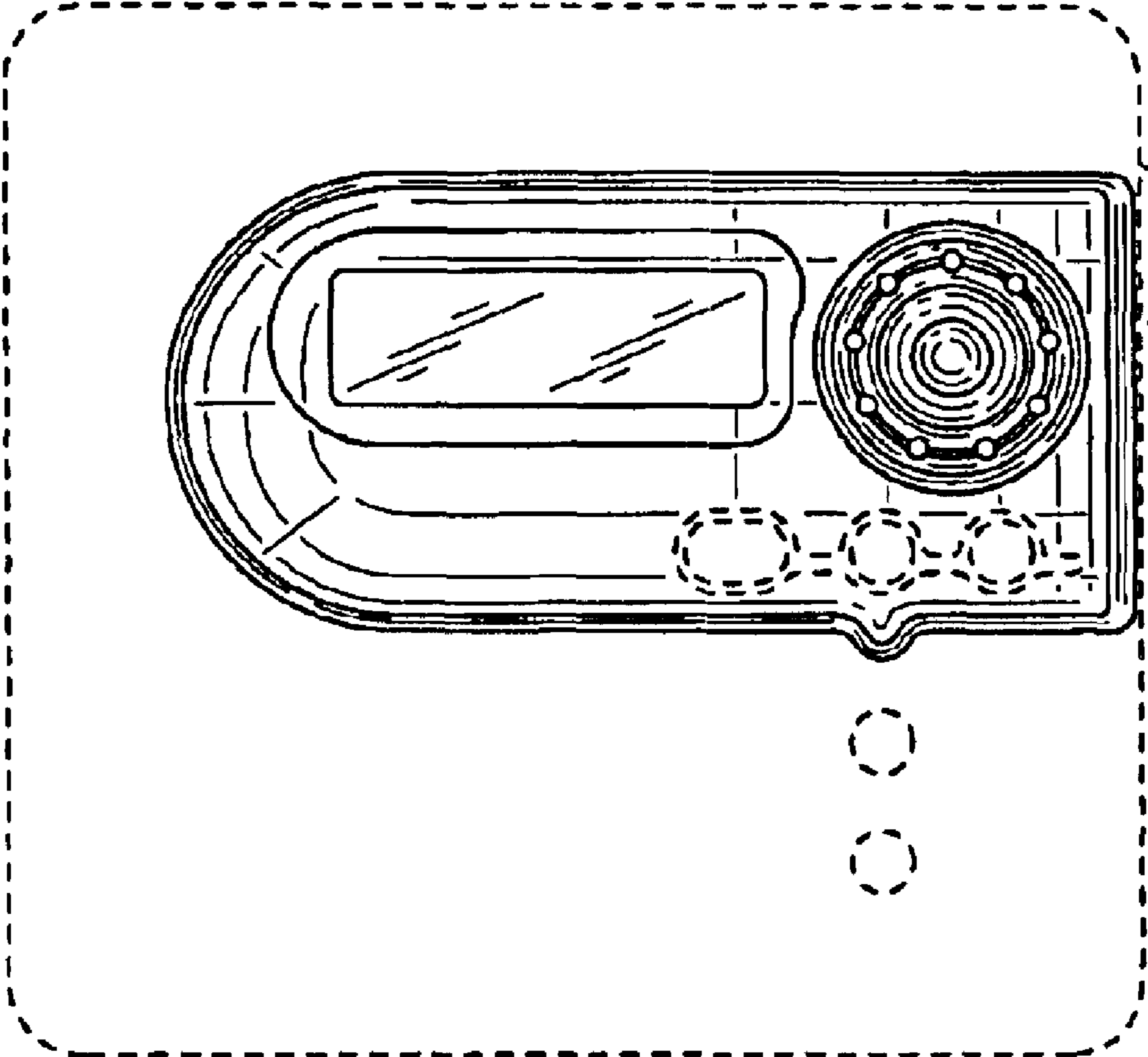


Fig.3

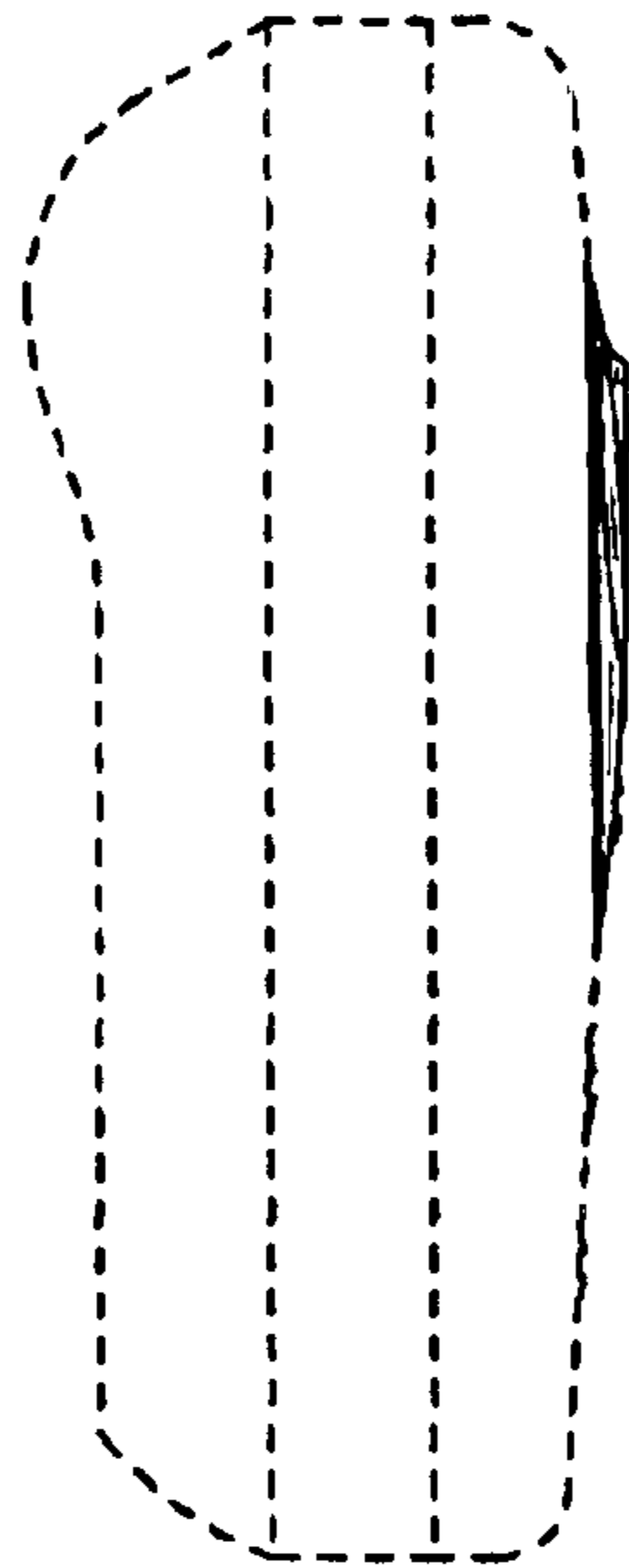


Fig.4

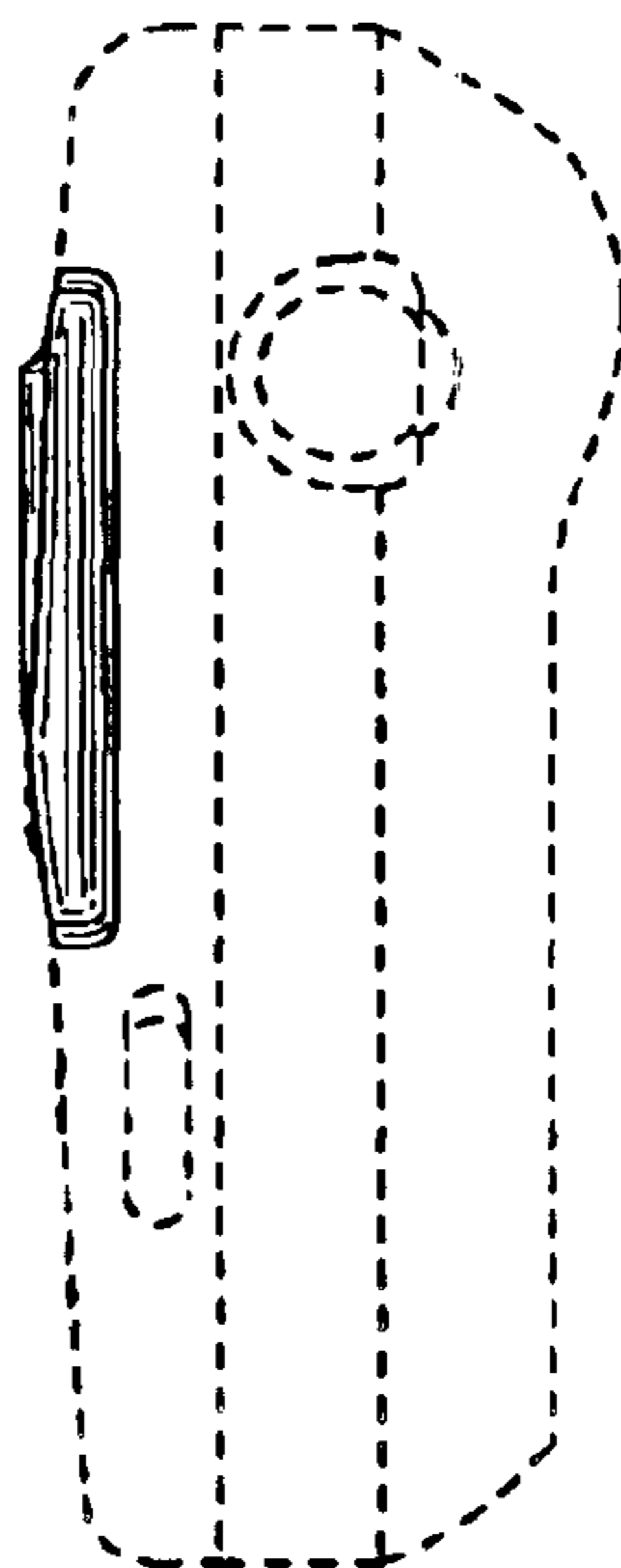


Fig.5

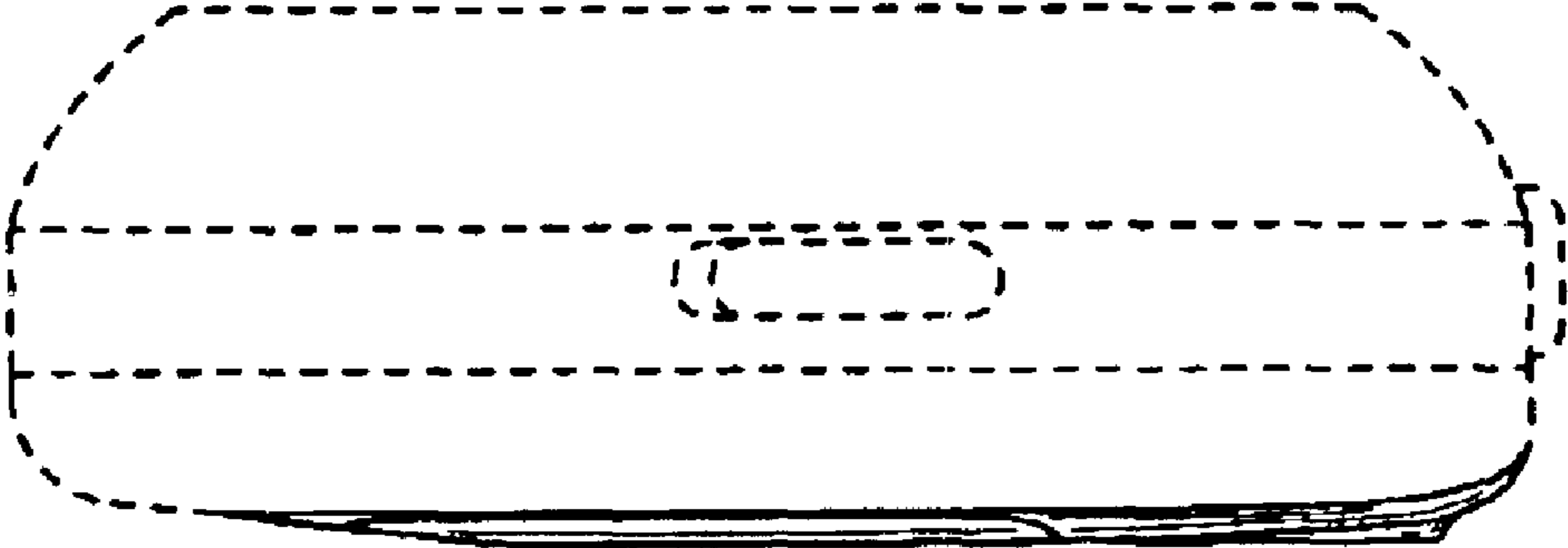


Fig.6

