

US00D498732S

(12) **United States Design Patent**  
Miller et al.

(10) **Patent No.:** **US D498,732 S**  
(45) **Date of Patent:** **\*\* Nov. 23, 2004**

(54) **ELECTRONIC COMPONENT HOUSING FRONT PANEL**

(75) Inventors: **Greg F. Miller**, San Diego, CA (US);  
**Jason T. King**, San Marcos, CA (US)

(73) Assignee: **Verari Systems, Inc.**, San Diego, CA (US)

(\*\*) Term: **14 Years**

(21) Appl. No.: **29/180,526**

(22) Filed: **Apr. 25, 2003**

(51) **LOC (7) Cl.** ..... **13-03**

(52) **U.S. Cl.** ..... **D13/184**

(58) **Field of Search** ..... D13/184; D14/240,  
D14/244; 361/600, 616, 679, 724, 730,  
736, 748, 752

(56) **References Cited**

**U.S. PATENT DOCUMENTS**

- D347,624 S \* 6/1994 McCarthy et al. .... D13/184
- 5,568,362 A \* 10/1996 Hansson ..... 361/736
- D375,942 S \* 11/1996 Fursier et al. .... D13/184
- D463,794 S \* 10/2002 Hung ..... D14/240
- D465,465 S \* 11/2002 Chapman et al. .... D13/184

\* cited by examiner

*Primary Examiner*—Stella Reid

*Assistant Examiner*—Selina Sikder

(74) *Attorney, Agent, or Firm*—Duckor Spradling Metzger & Wynn; Bernard L. Kleinke

(57) **CLAIM**

The ornamental design for an electronic component housing front panel, as shown and described.

**DESCRIPTION**

FIG. 1 is a pictorial view of a electronic component housing front panel, illustrating the top, left and front sides thereof; FIG. 2 is a pictorial view of the electronic component housing front panel of FIG. 1, illustrating the top, right and front sides thereof;

FIG. 3 is an elevational view of the front side of the electronic component housing front panel of FIG. 1; FIG. 4 is a plan view of the top of the electronic component housing front panel of FIG. 1, the plan view of the bottom being similar to it;

FIG. 5 is an elevational view of the right side of the electronic component housing front panel of FIG. 1;

FIG. 6 is an elevational view of the left side of the electronic component housing front panel of FIG. 1;

FIG. 7 is a pictorial view of another electronic component housing front panel of FIG. 1, illustrating the top, left and front sides thereof wherein the “shark fin” area is shaded to represent an opaque surface; and,

FIG. 8 is a pictorial view of yet another electronic component housing front panel illustrating the top, left and front sides thereof wherein the “shark fin” area is shaded to represent an opaque surface.

The broken line showing of the environment is for illustrative purpose only and forms no part of the claimed design.

**1 Claim, 6 Drawing Sheets**

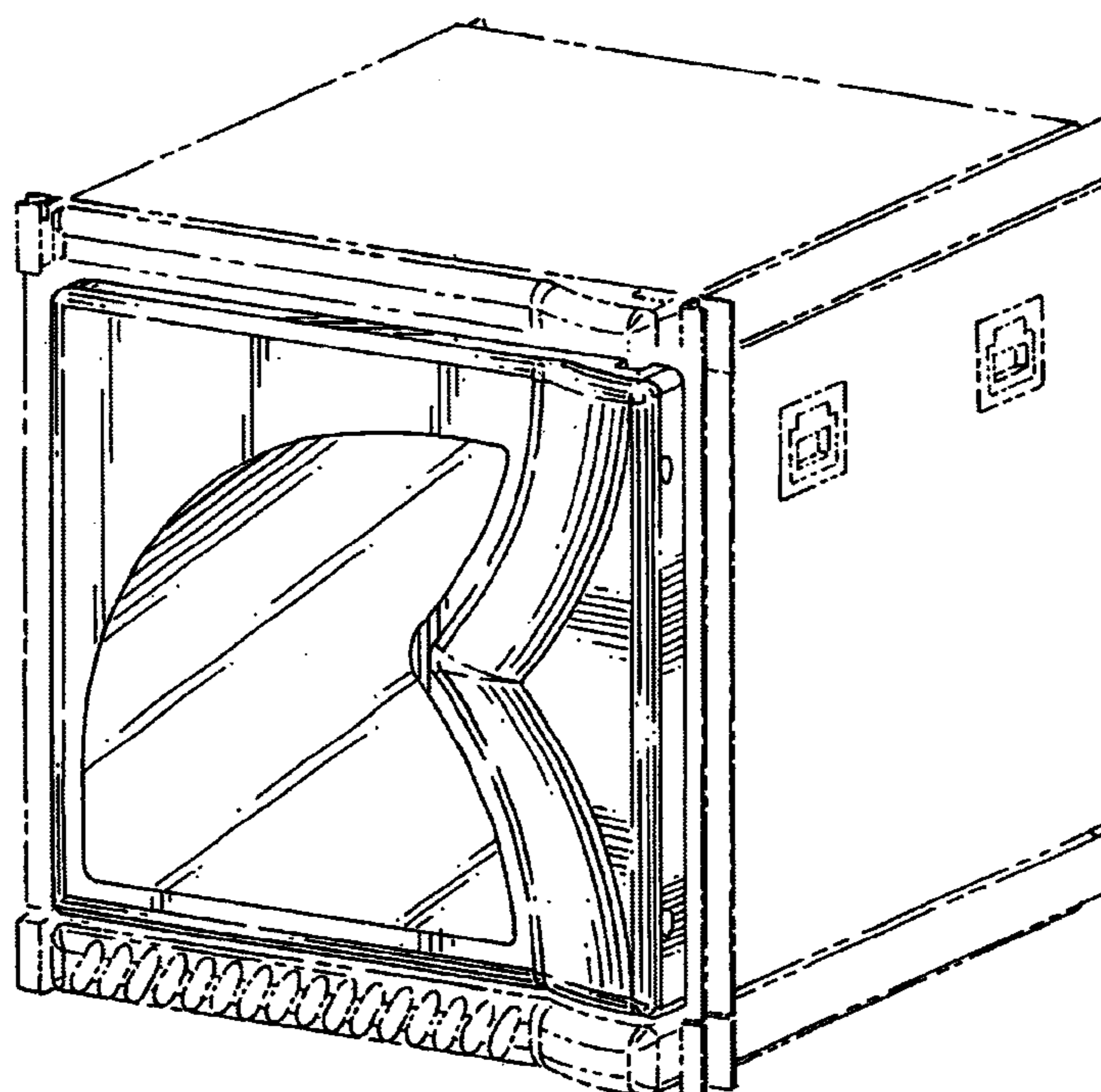


FIG. 1

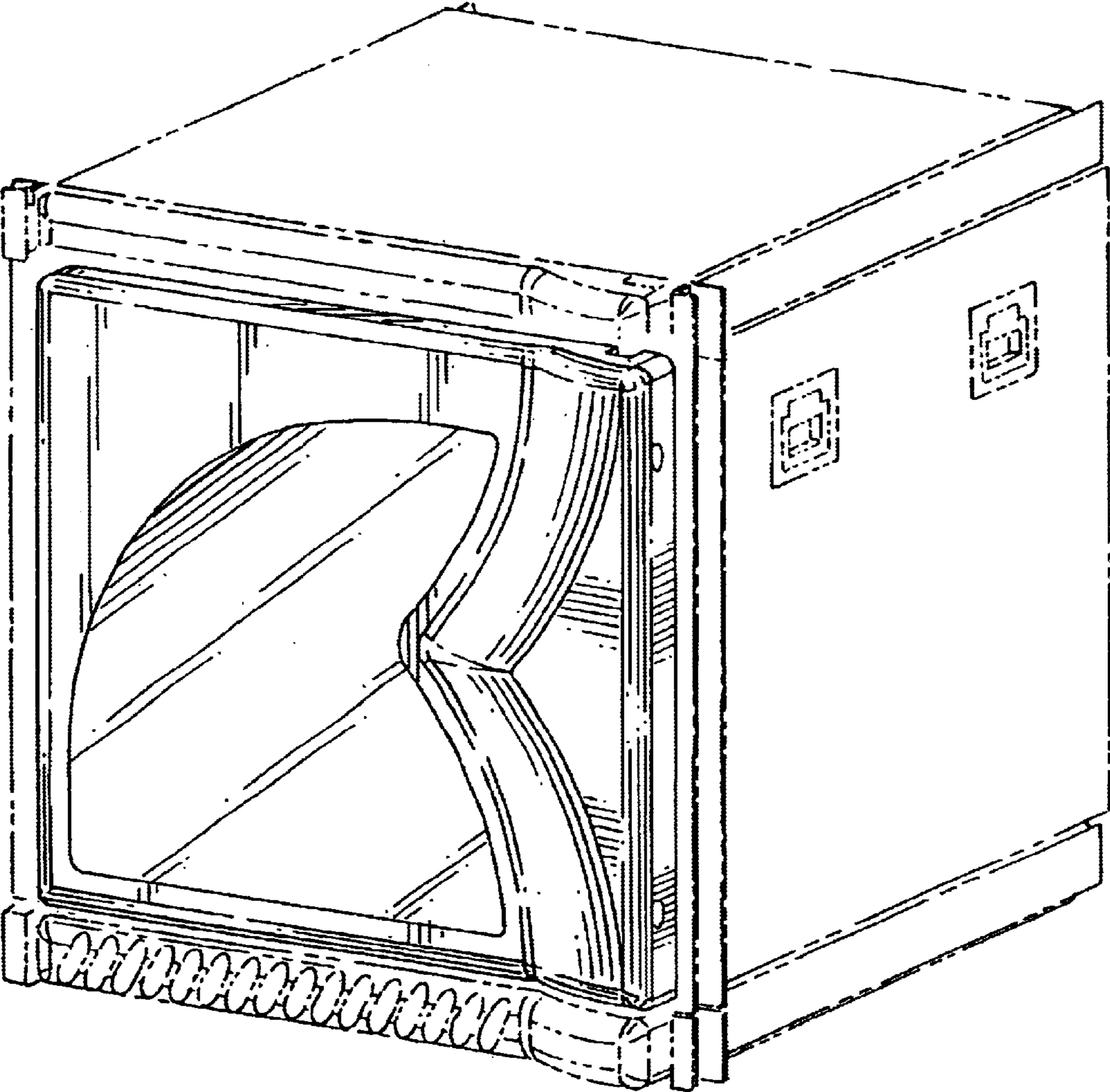


FIG. 2

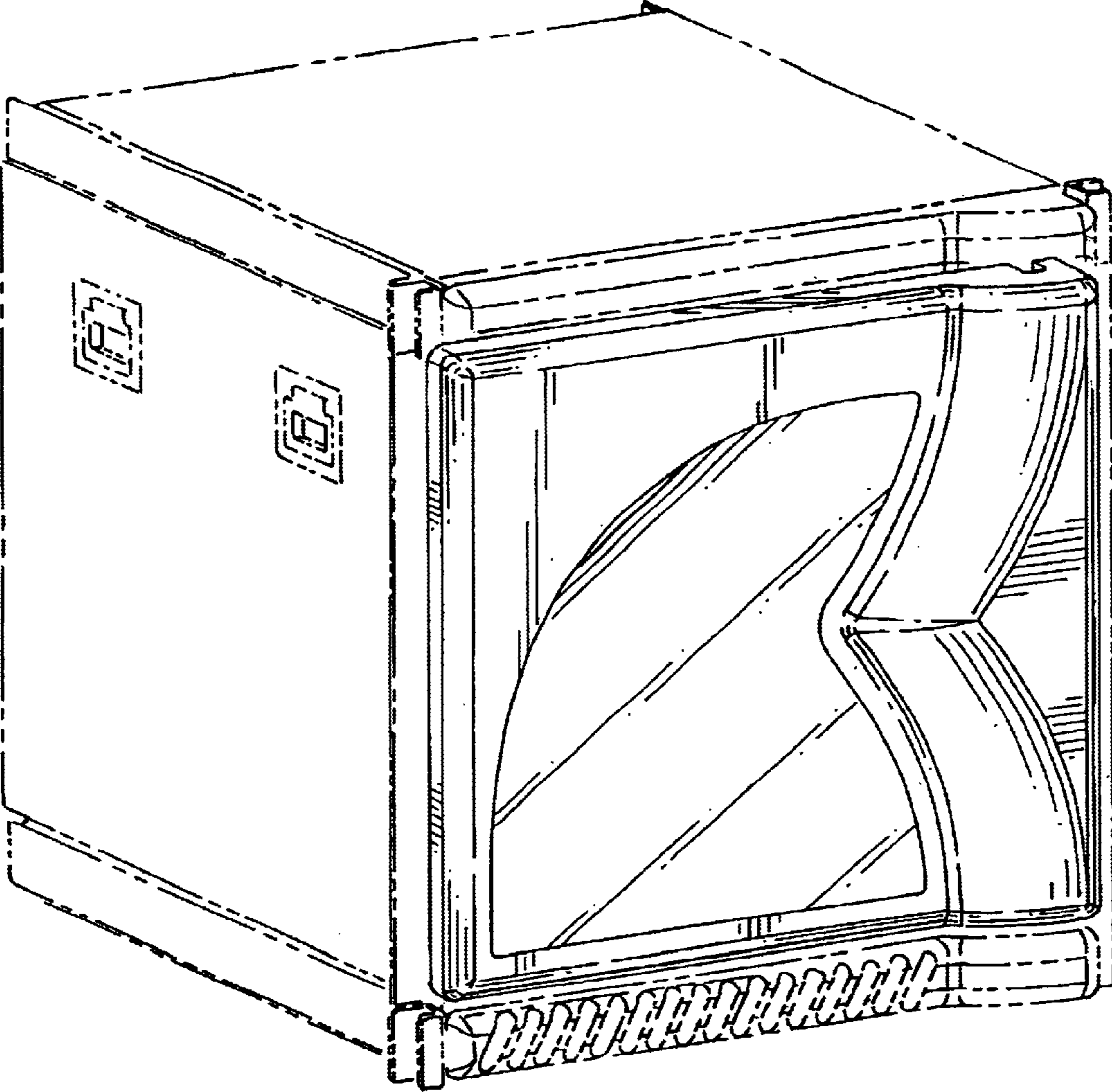


FIG. 3

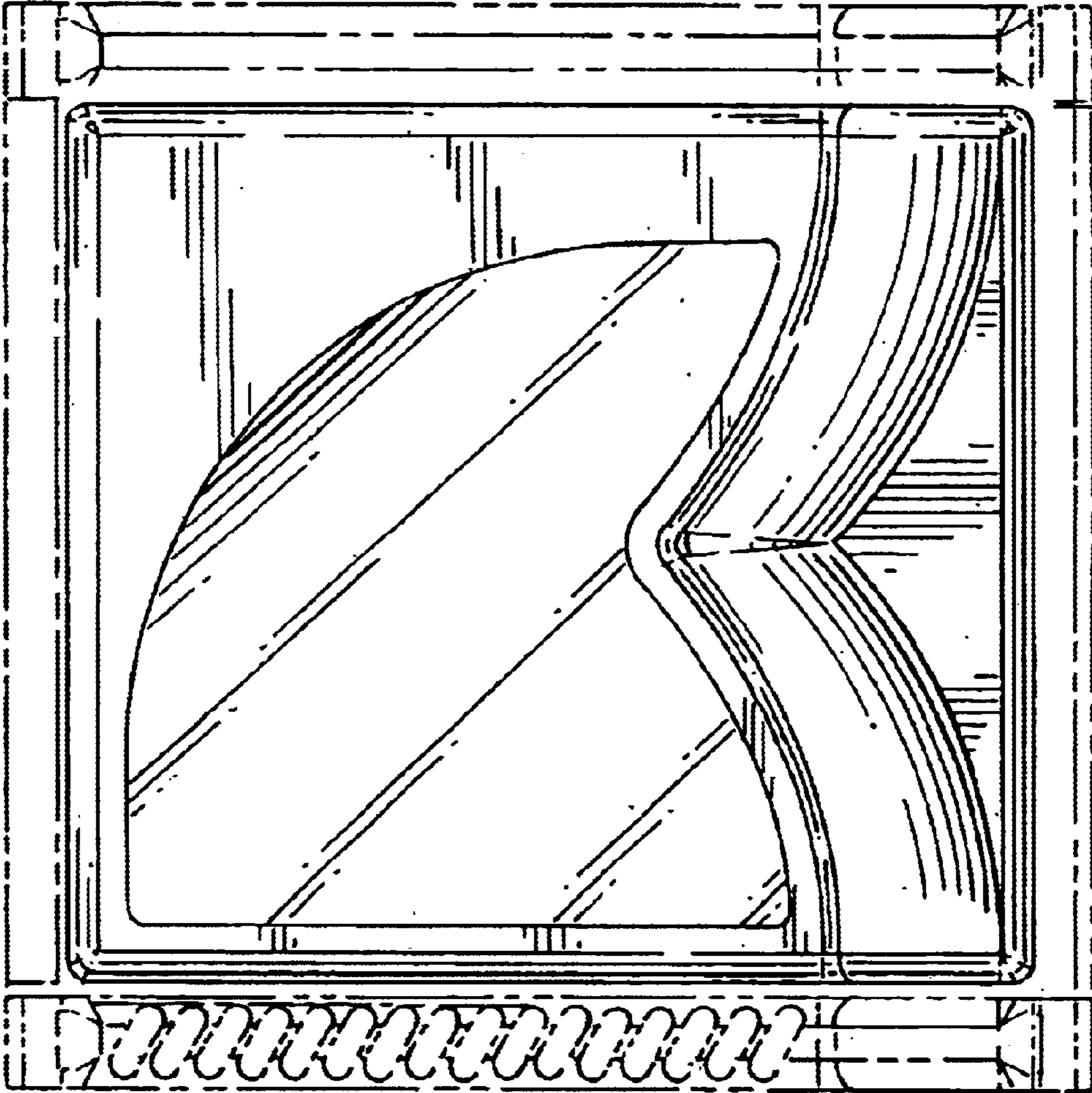


FIG. 4

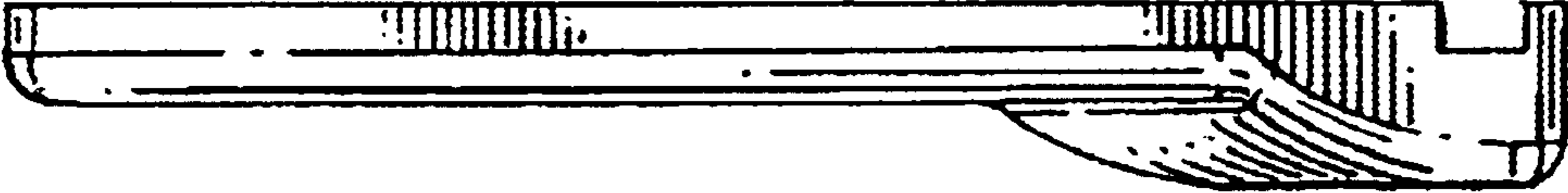


FIG. 5



FIG. 6

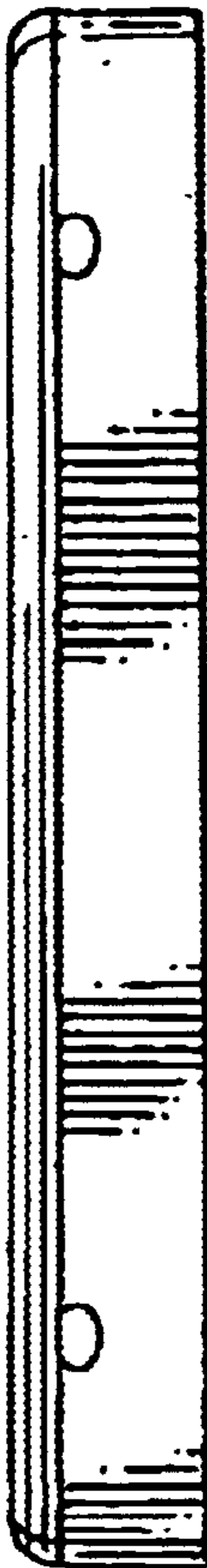


FIG. 7

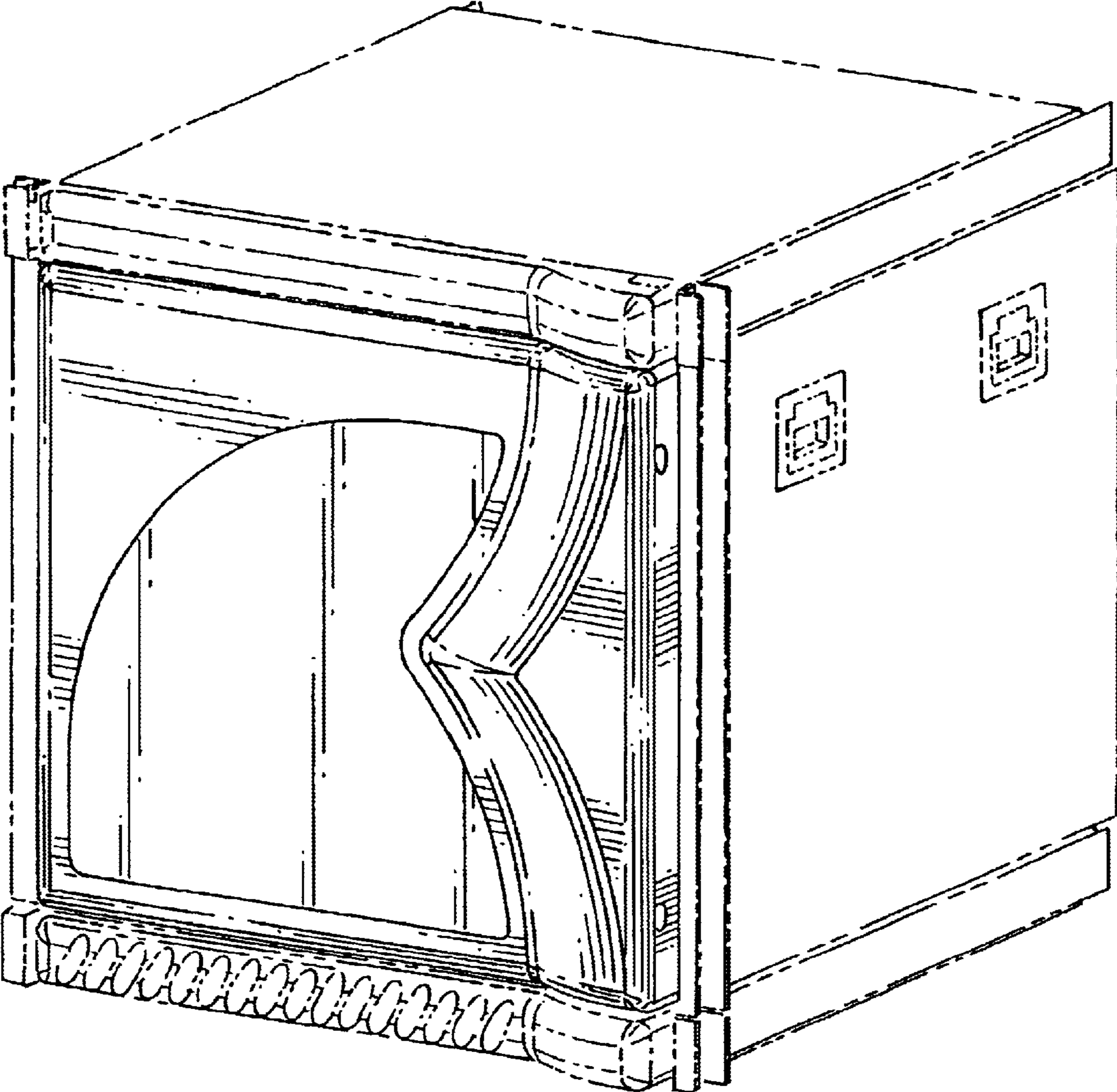


FIG. 8

