

US00D498730S

(12) **United States Design Patent**
Watanabe et al.

(10) **Patent No.:** **US D498,730 S**

(45) **Date of Patent:** **** Nov. 23, 2004**

(54) **CONNECTOR FOR PRINTED CIRCUIT
BOARDS**

(75) Inventors: **Satoru Watanabe, Sanda (JP);
Yasuyuki Wada, Kyoto (JP)**

(73) Assignee: **J.S.T. Mfg. Co., Ltd., Osaka (JP)**

(**) Term: **14 Years**

(21) Appl. No.: **29/188,494**

(22) Filed: **Aug. 20, 2003**

(30) **Foreign Application Priority Data**

Feb. 26, 2003 (JP) 2003-004637

(51) **LOC (7) Cl.** **13-03**

(52) **U.S. Cl.** **D13/133**

(58) **Field of Search** D13/133, 146,
D13/147; 439/607, 608, 676, 677, 680,
670

(56) **References Cited**

U.S. PATENT DOCUMENTS

D293,313 S	*	12/1987	Justiano et al.	D13/133
D432,498 S	*	10/2000	Kuroda	D13/133
6,190,210 B1	*	2/2001	Belopolsky et al.	439/676
D449,818 S	*	10/2001	Hiramoto et al.	D13/133
D454,333 S	*	3/2002	Ikeda et al.	D13/133
D454,335 S	*	3/2002	Okada	D13/133
D461,769 S	*	8/2002	Kuroda et al.	D13/133

D461,772 S	*	8/2002	Zhou	D13/133
D462,053 S	*	8/2002	Kuroda et al.	D13/133
D462,054 S	*	8/2002	Ma et al.	D13/133
6,475,033 B1	*	11/2002	Zhu et al.	439/607
6,488,529 B1	*	12/2002	Chen	439/490

* cited by examiner

Primary Examiner—Philip S. Hyder

(74) *Attorney, Agent, or Firm*—Antonelli, Terry, Stout & Kraus, LLP

(57) **CLAIM**

The ornamental design for a connector for printed circuit boards, as shown and described.

DESCRIPTION

FIG. 1 is a top plan view of a connector for printed circuit boards, showing our new design;
 FIG. 2 is a front elevational view thereof;
 FIG. 3 is a bottom plan view thereof;
 FIG. 4 is a right side elevational view thereof, wherein the right side is a mirror image thereof;
 FIG. 5 is a rear elevational view thereof;
 FIG. 6 is a perspective view thereof;
 FIG. 7 is a cross section view taken along line 7—7 in FIG. 2;
 FIG. 8 is a cross section view taken along line 8—8 in FIG. 2; and,
 FIG. 9 is a cross section view taken along line 9—9 in FIG. 4.

1 Claim, 3 Drawing Sheets

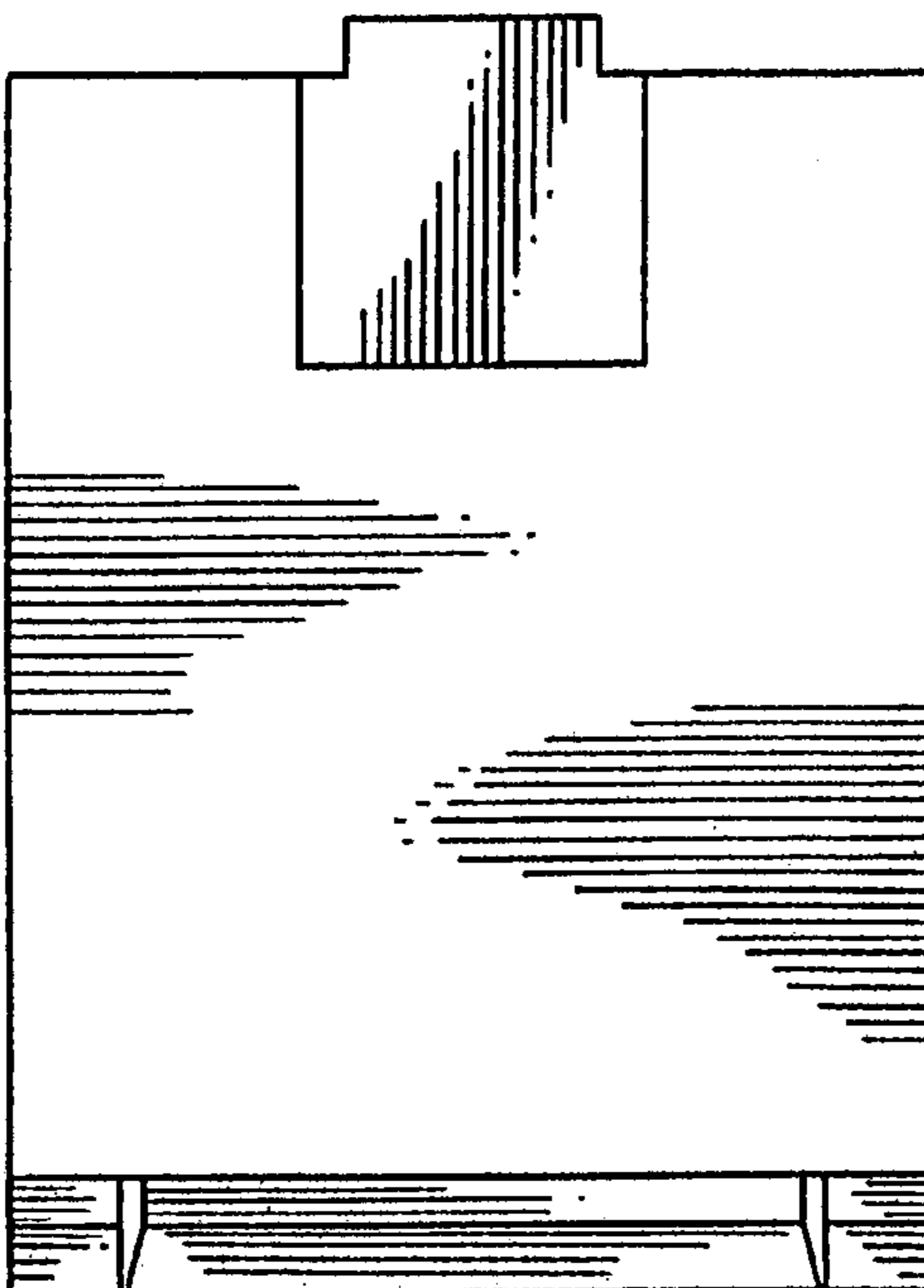


Fig. 1

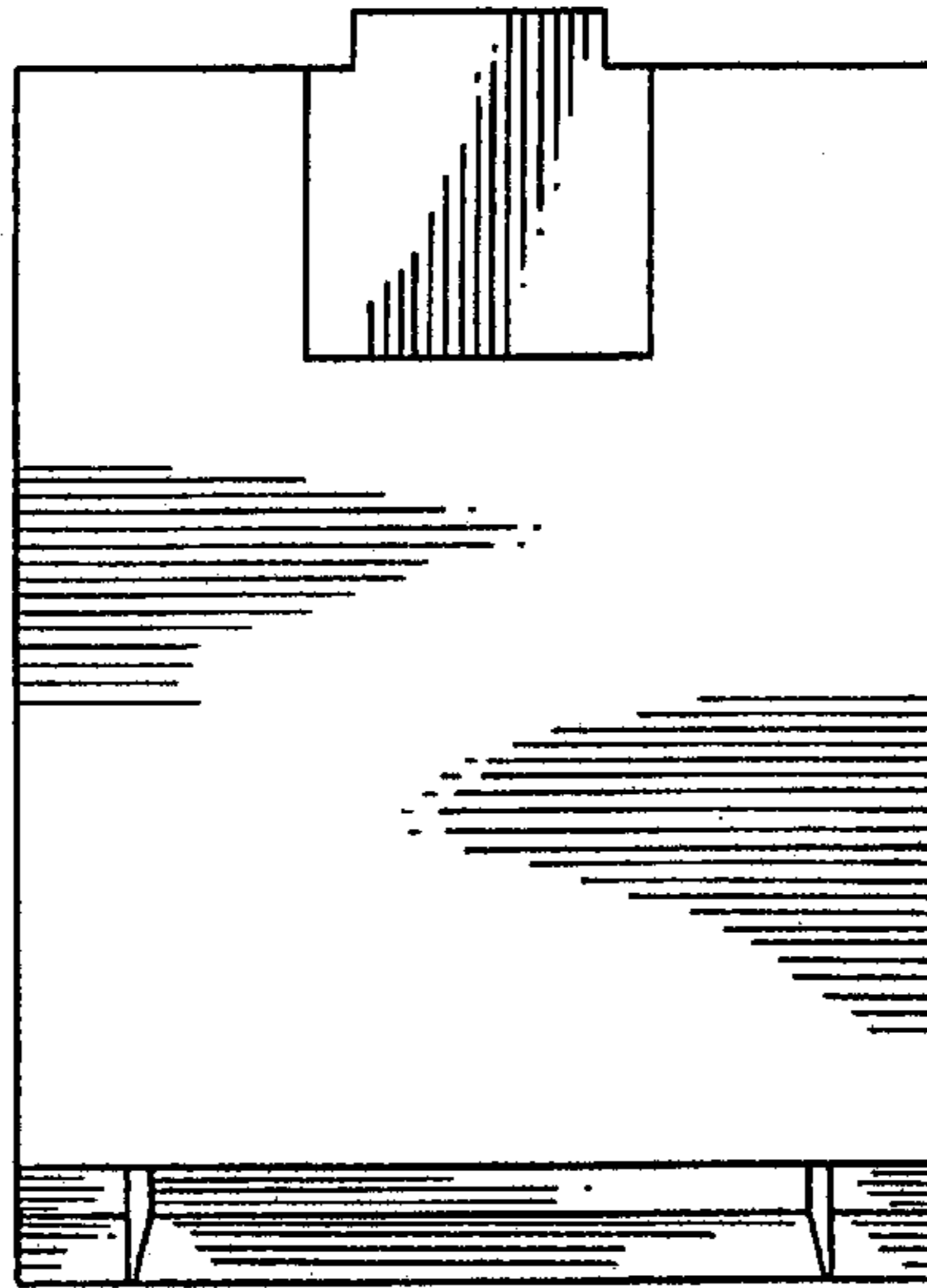


Fig. 2

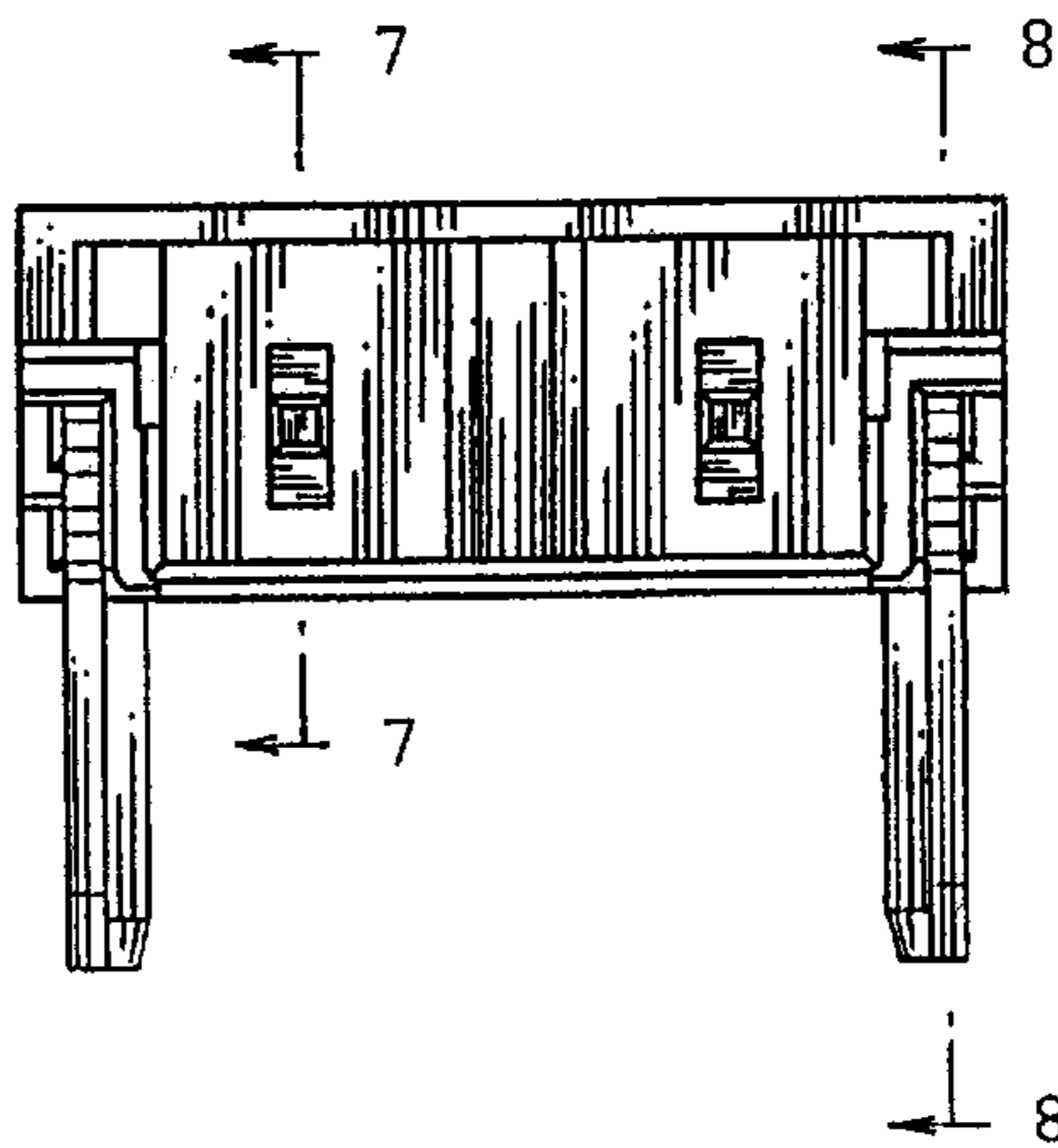


Fig. 3

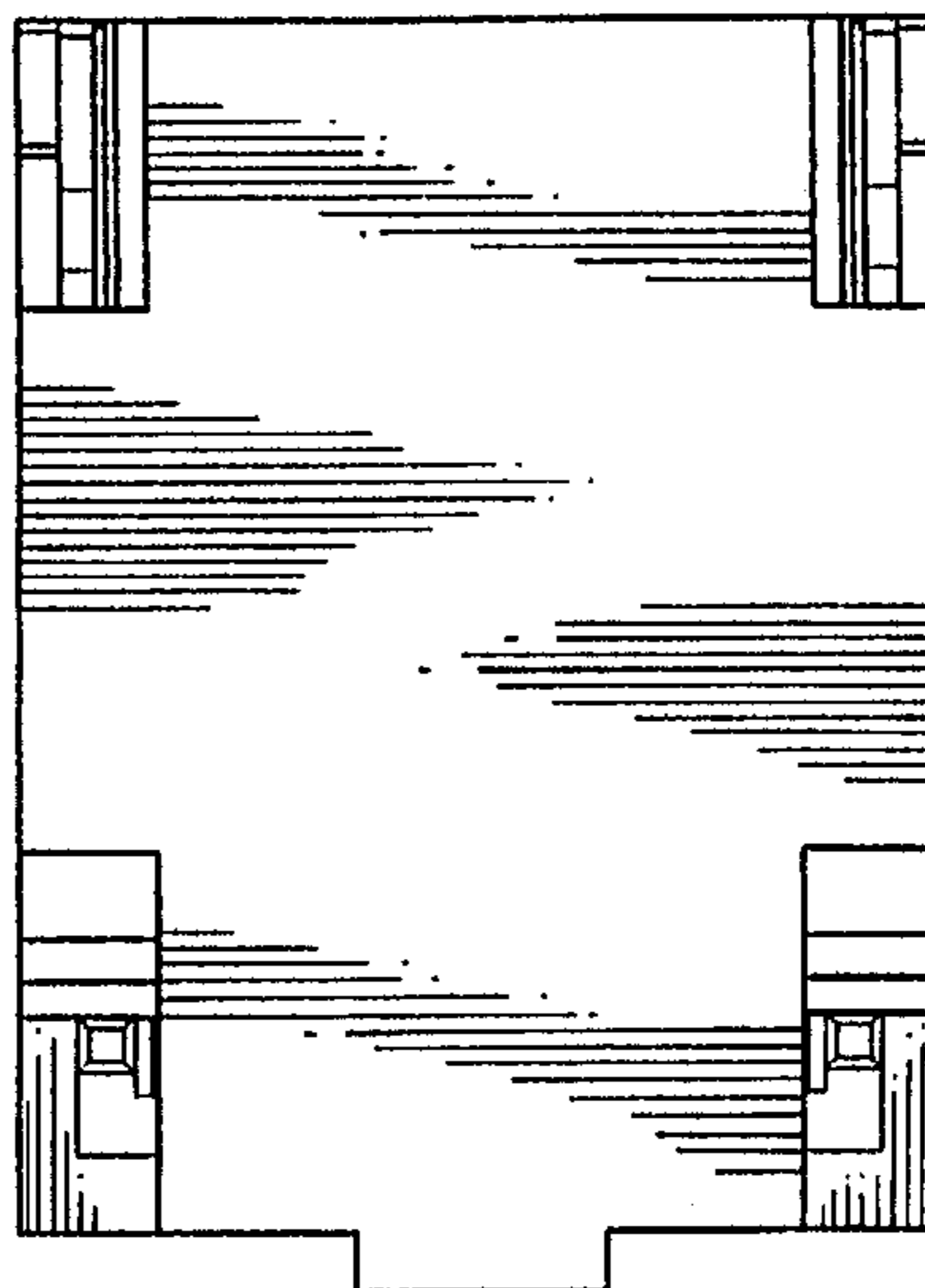


Fig. 4

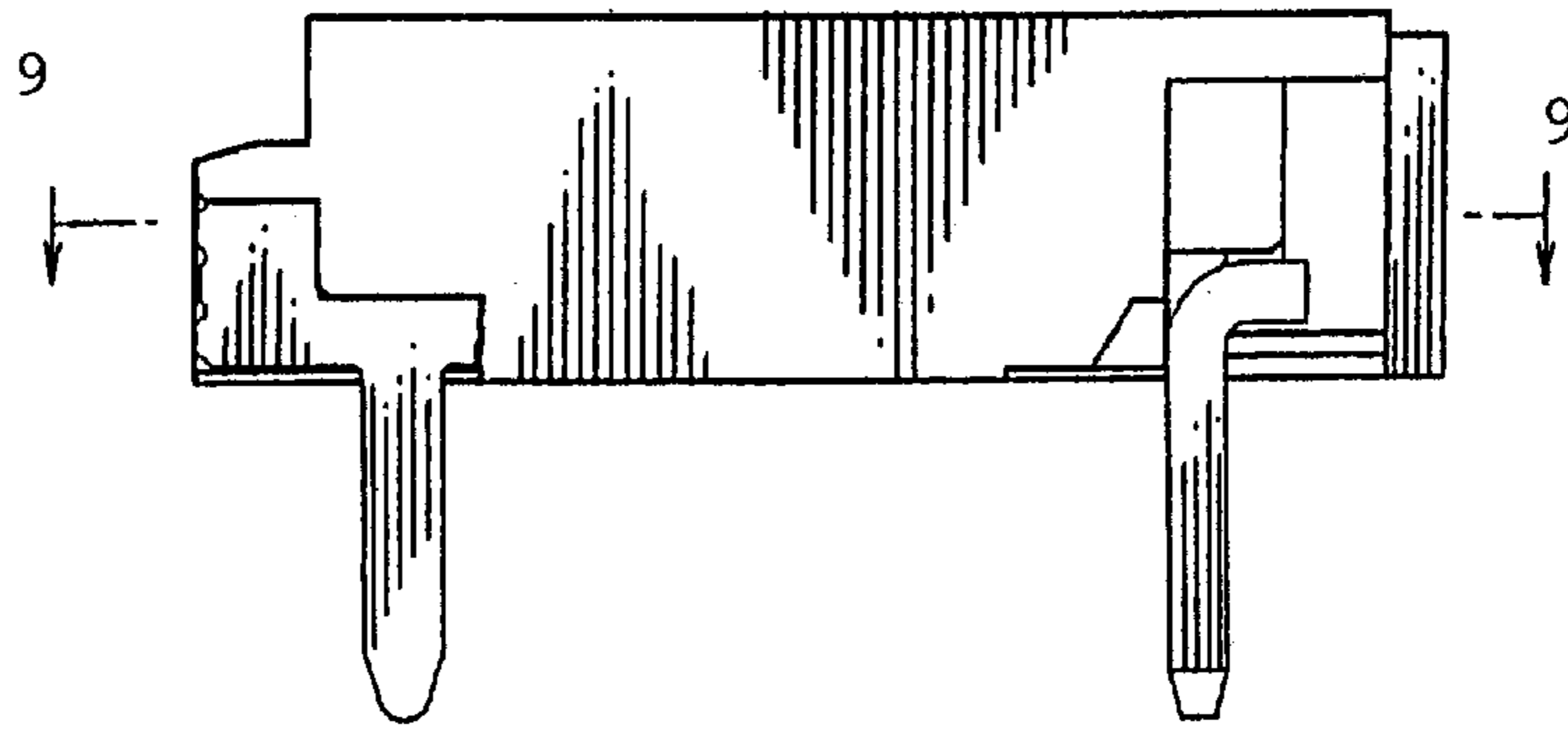


Fig. 5

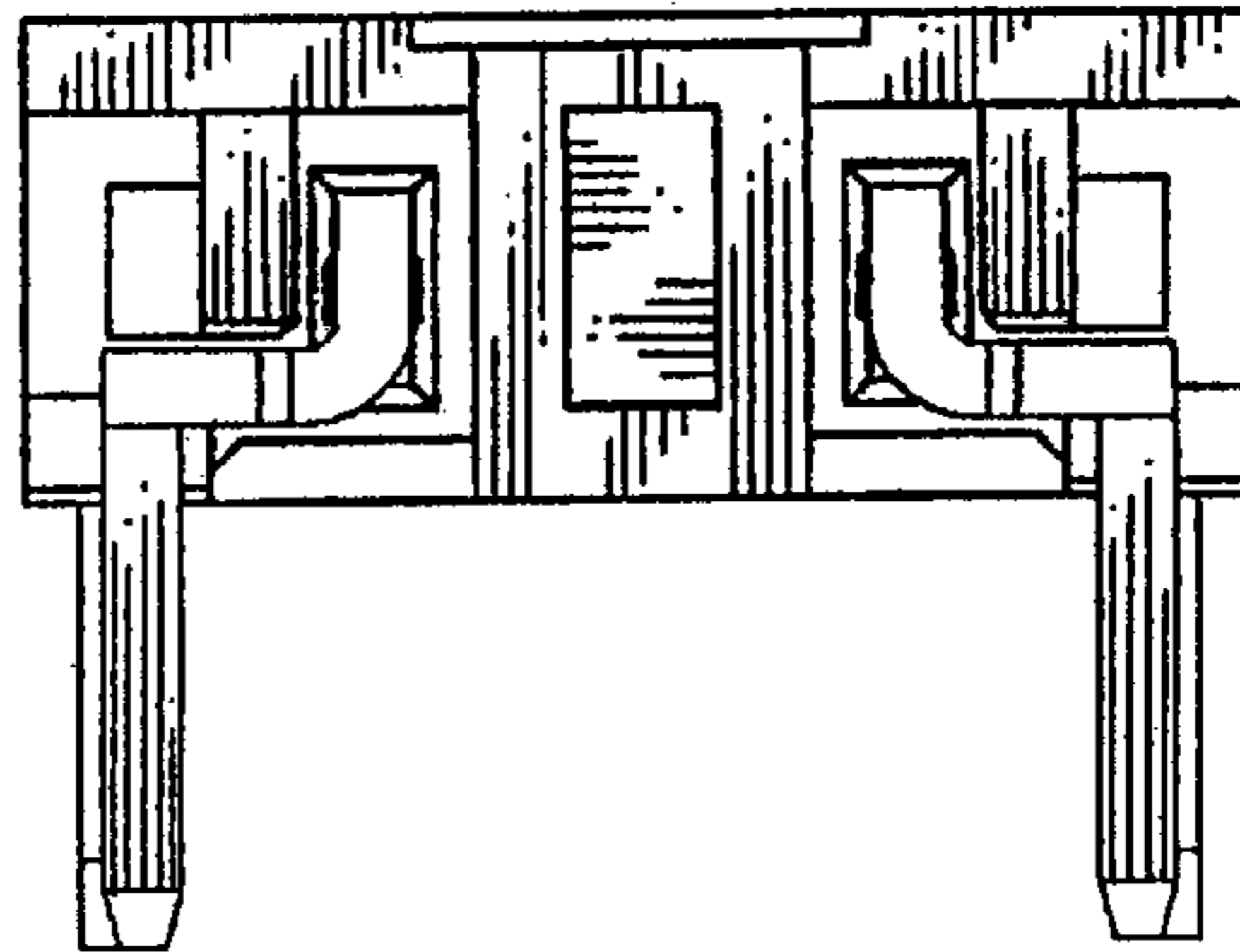


Fig. 6

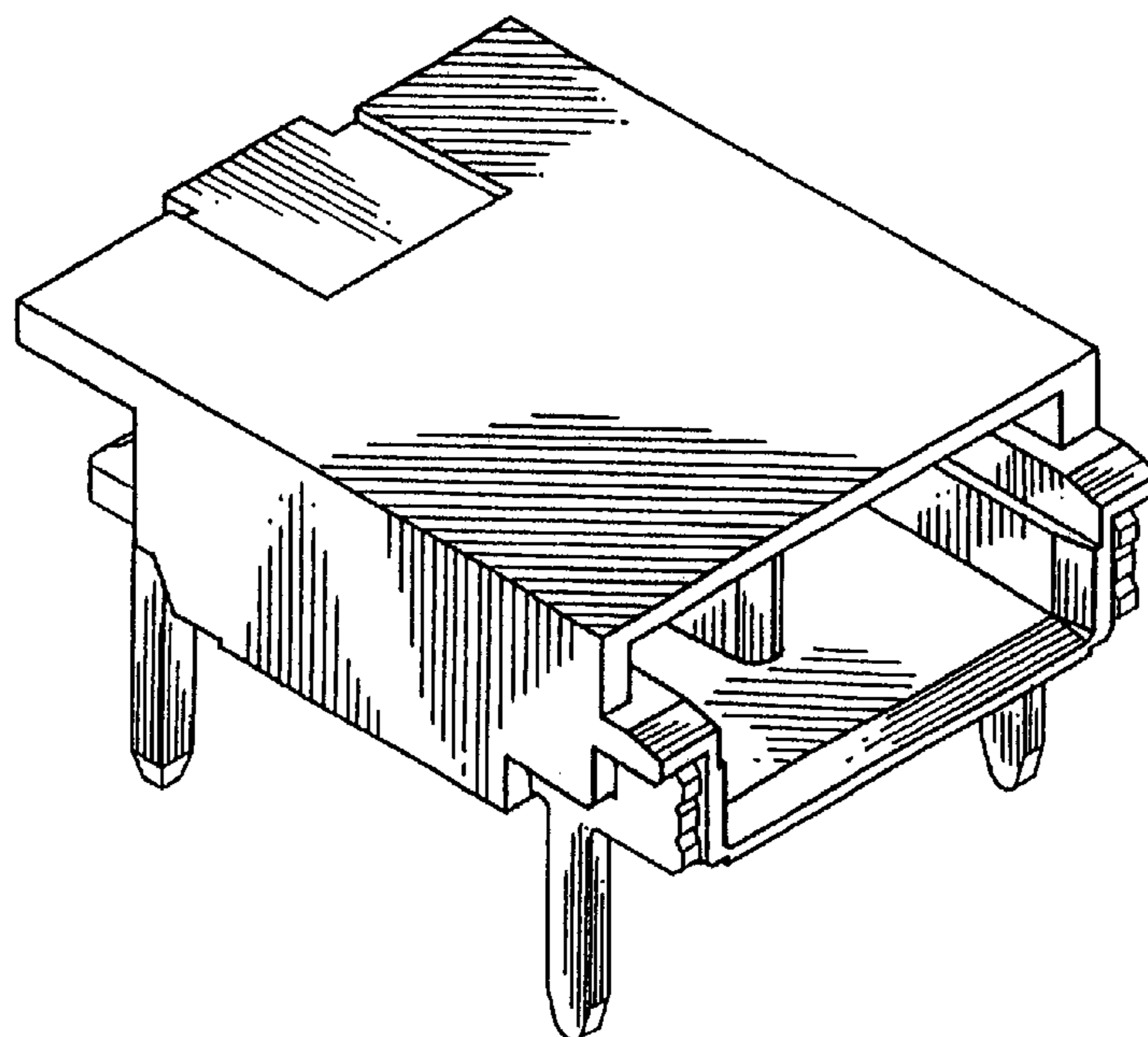


Fig. 7

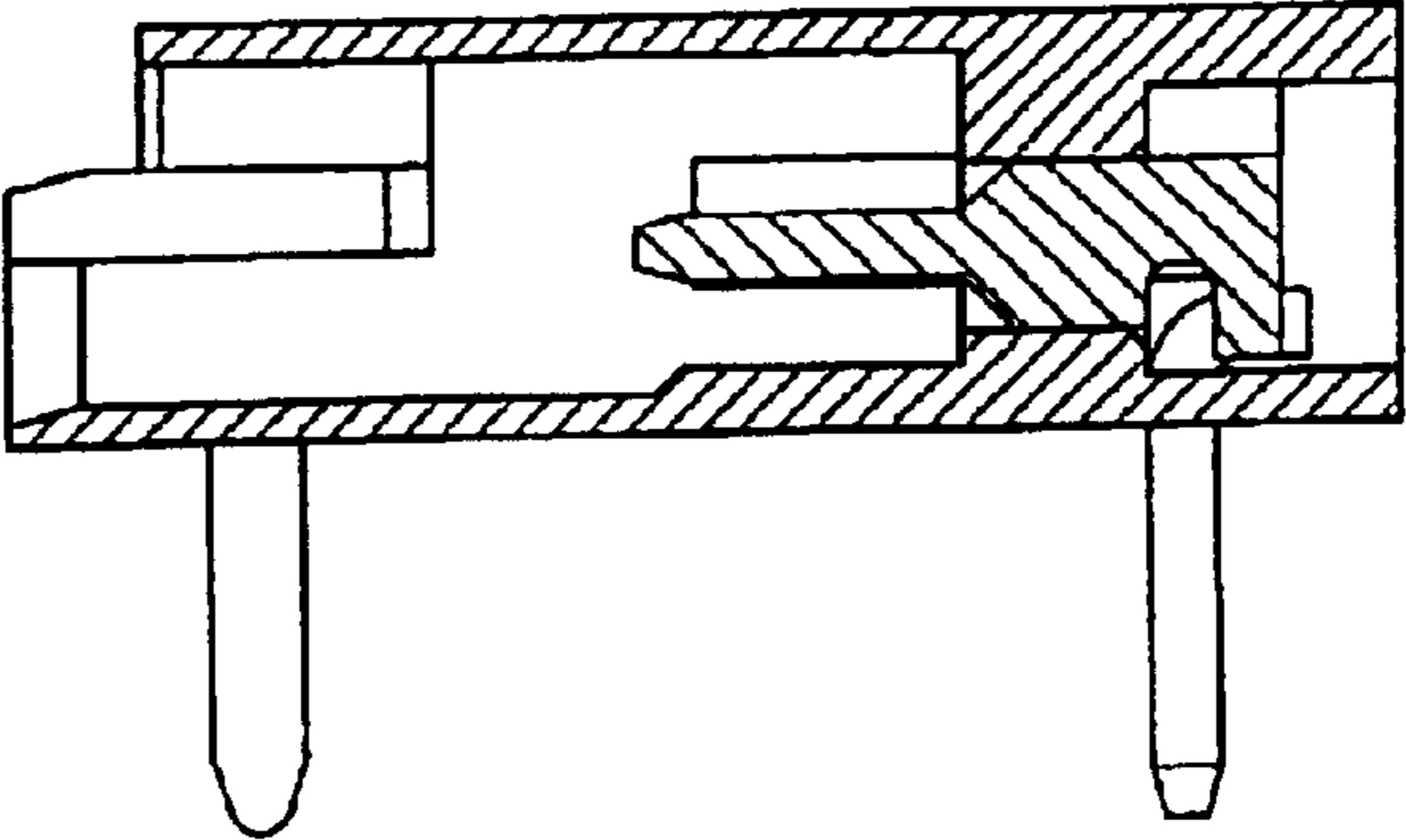


Fig. 8

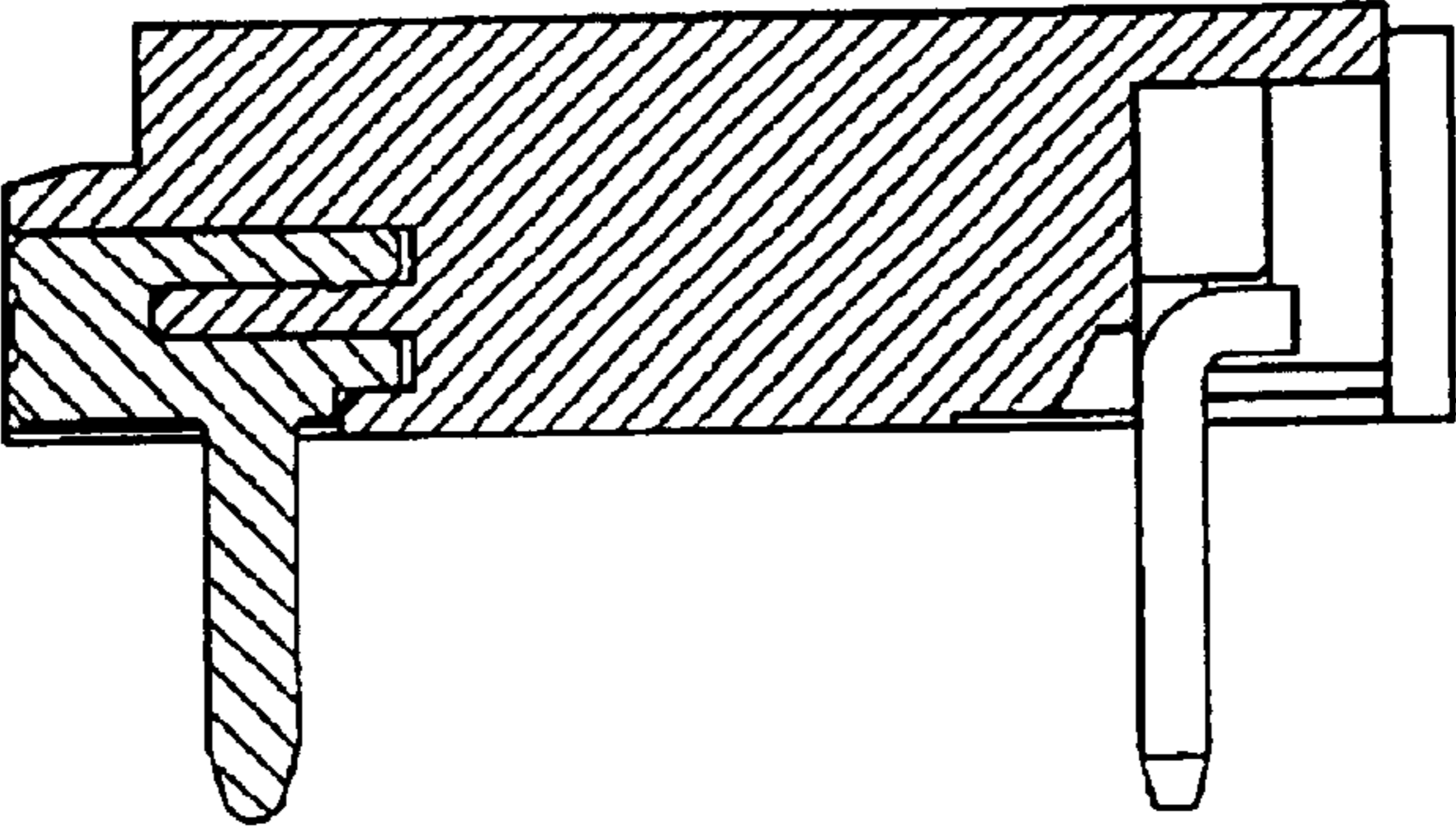


Fig. 9

