

US00D498728S

(12) **United States Design Patent**
James

(10) **Patent No.:** **US D498,728 S**

(45) **Date of Patent:** **** Nov. 23, 2004**

(54) **PAIR OF MOTORCYCLE FENDER MOUNTS**

(75) **Inventor:** **Jesse G. James**, Surfside, CA (US)

(73) **Assignee:** **Honda Motor Co., Ltd.**, Tokyo (JP)

(**) **Term:** **14 Years**

(21) **Appl. No.:** **29/195,206**

(22) **Filed:** **Dec. 9, 2003**

(51) **LOC (7) Cl.** **12-06**

(52) **U.S. Cl.** **D12/223**

(58) **Field of Search** D12/110, 114,
D12/223, 186; 280/152.1-152.3, 157, 160.1,
275, 277, 283; 293/105; 180/219

(56) **References Cited**

U.S. PATENT DOCUMENTS

5,186,274 A * 2/1993 Hegman 280/152.1 X
5,775,454 A * 7/1998 Scherbarth et al. 180/219

* cited by examiner

Primary Examiner—Alan P. Douglas

Assistant Examiner—Linda Brooks

(74) *Attorney, Agent, or Firm*—Plumsea Law Group, LLC

(57) **CLAIM**

The ornamental design for a pair of motorcycle fender mounts, as shown and described.

DESCRIPTION

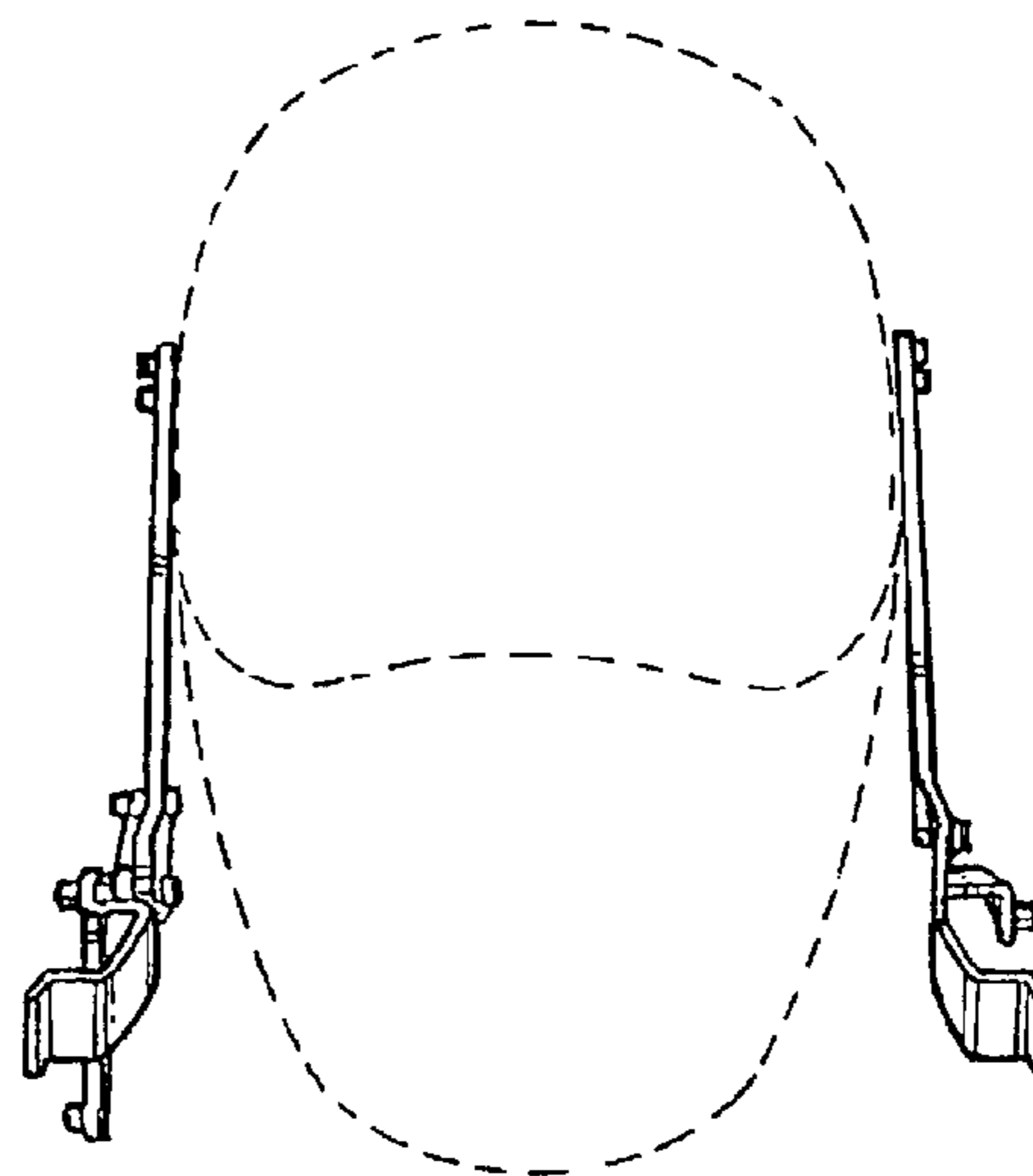
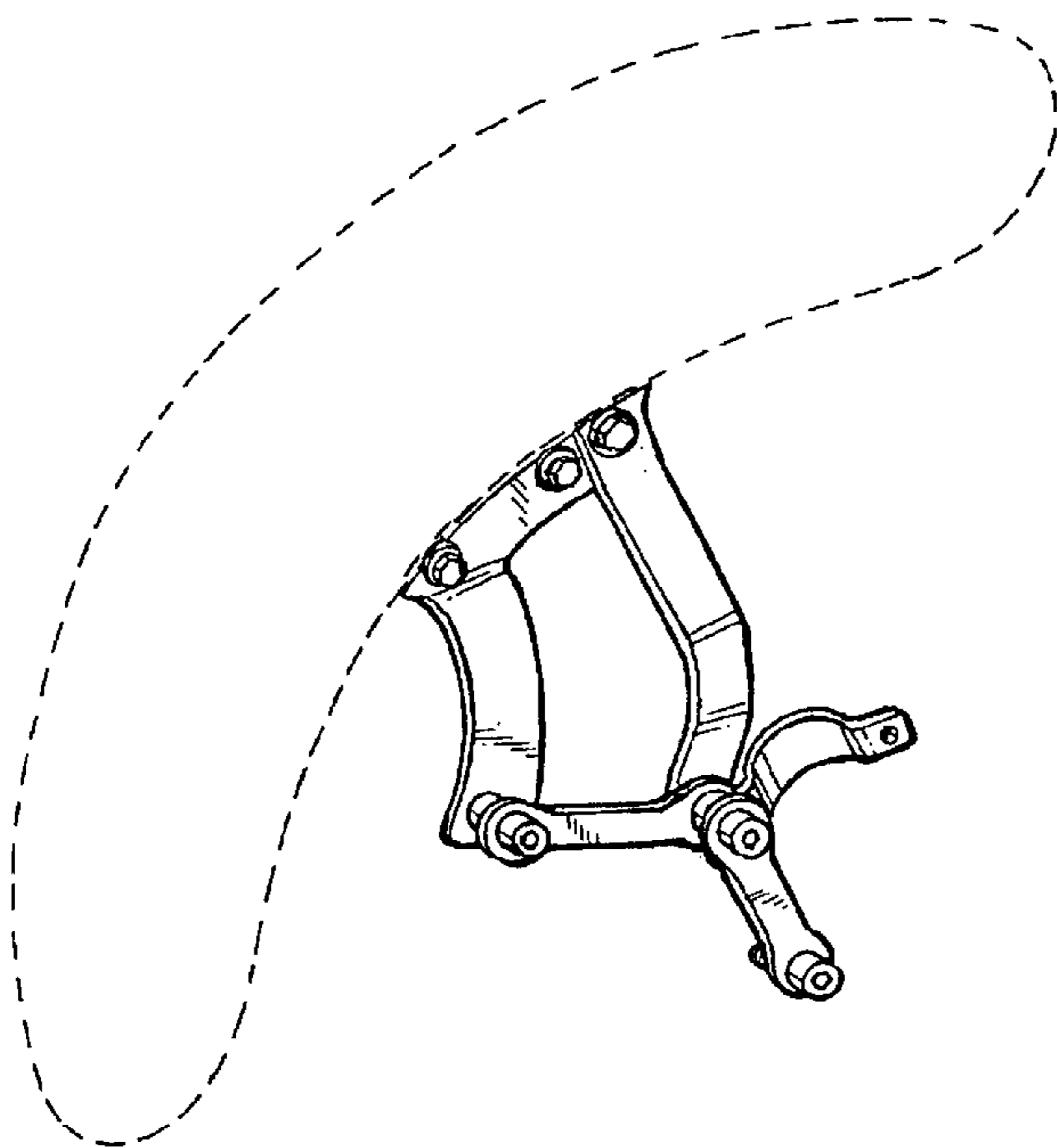
FIG. 1 is a perspective view of the right side element of a pair of motorcycle fender mounts showing my new design; FIG. 2 is a perspective view of the left side element thereof; and,

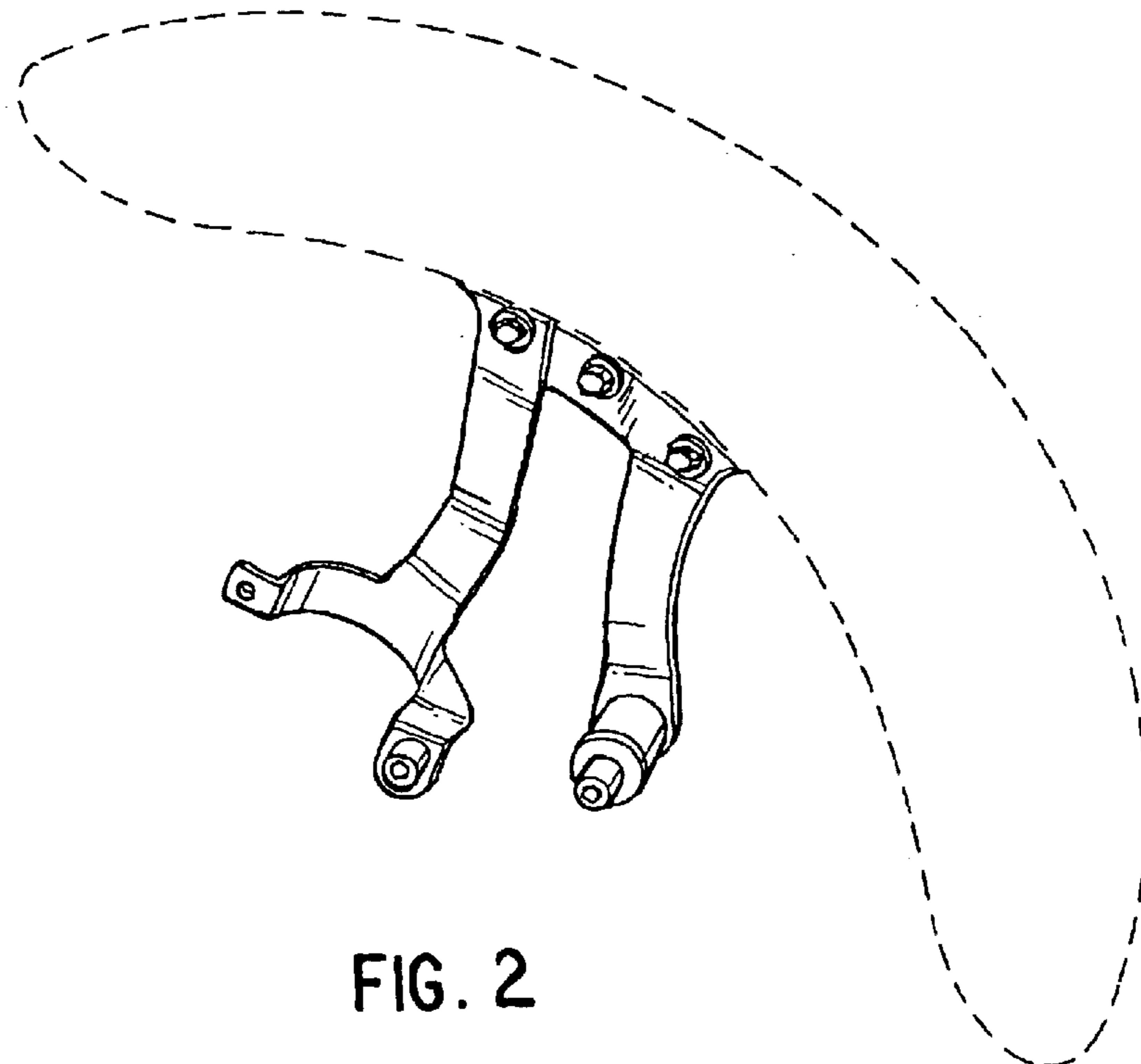
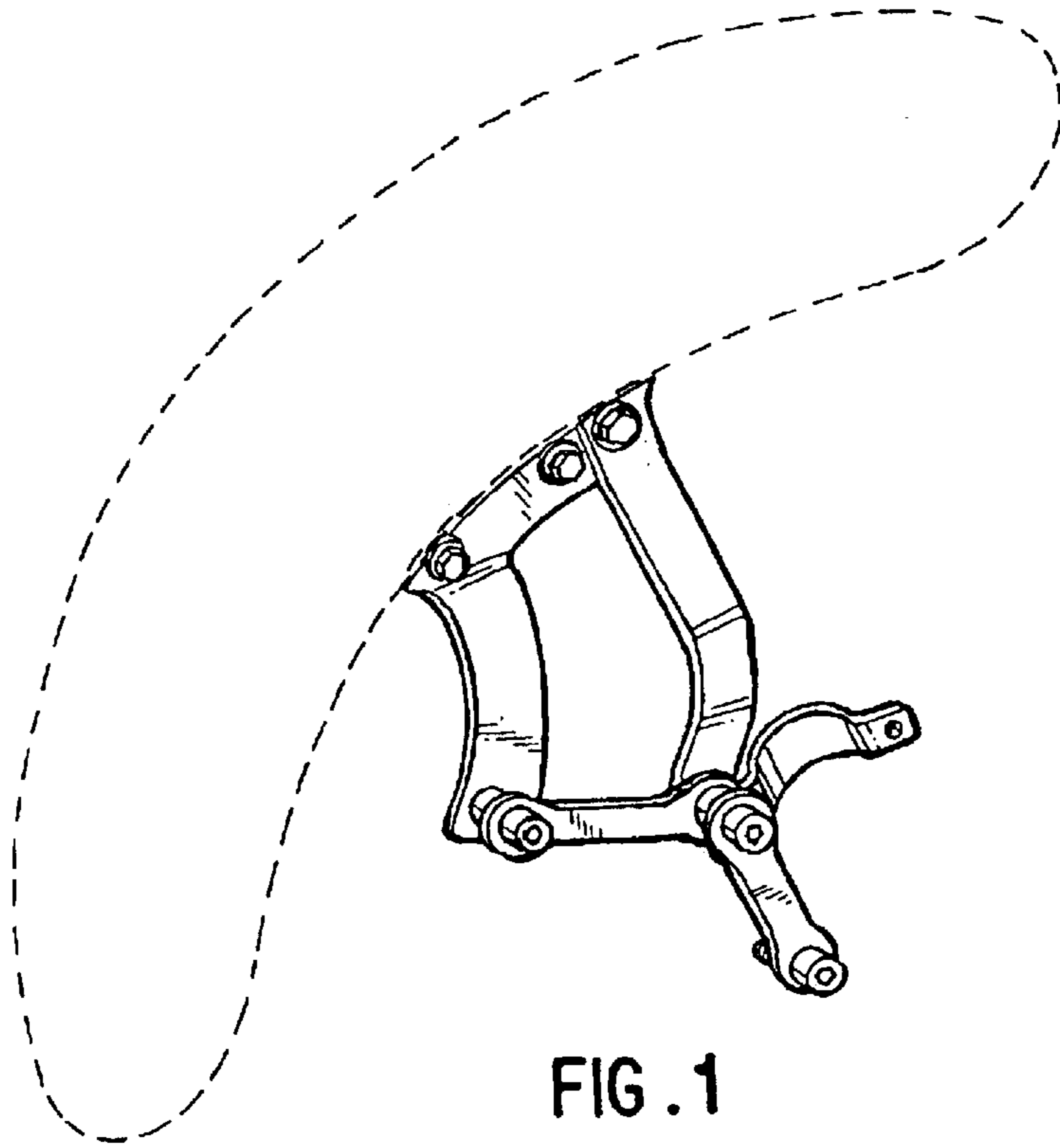
FIG. 3 is a front view of the right and left side elements shown in position of use.

The right and left side mounts of the pair of motorcycle fender mounts are shown separately for clarity.

The broken line showing of the fender is for illustrative purposes only and forms no part of the claimed invention.

1 Claim, 2 Drawing Sheets





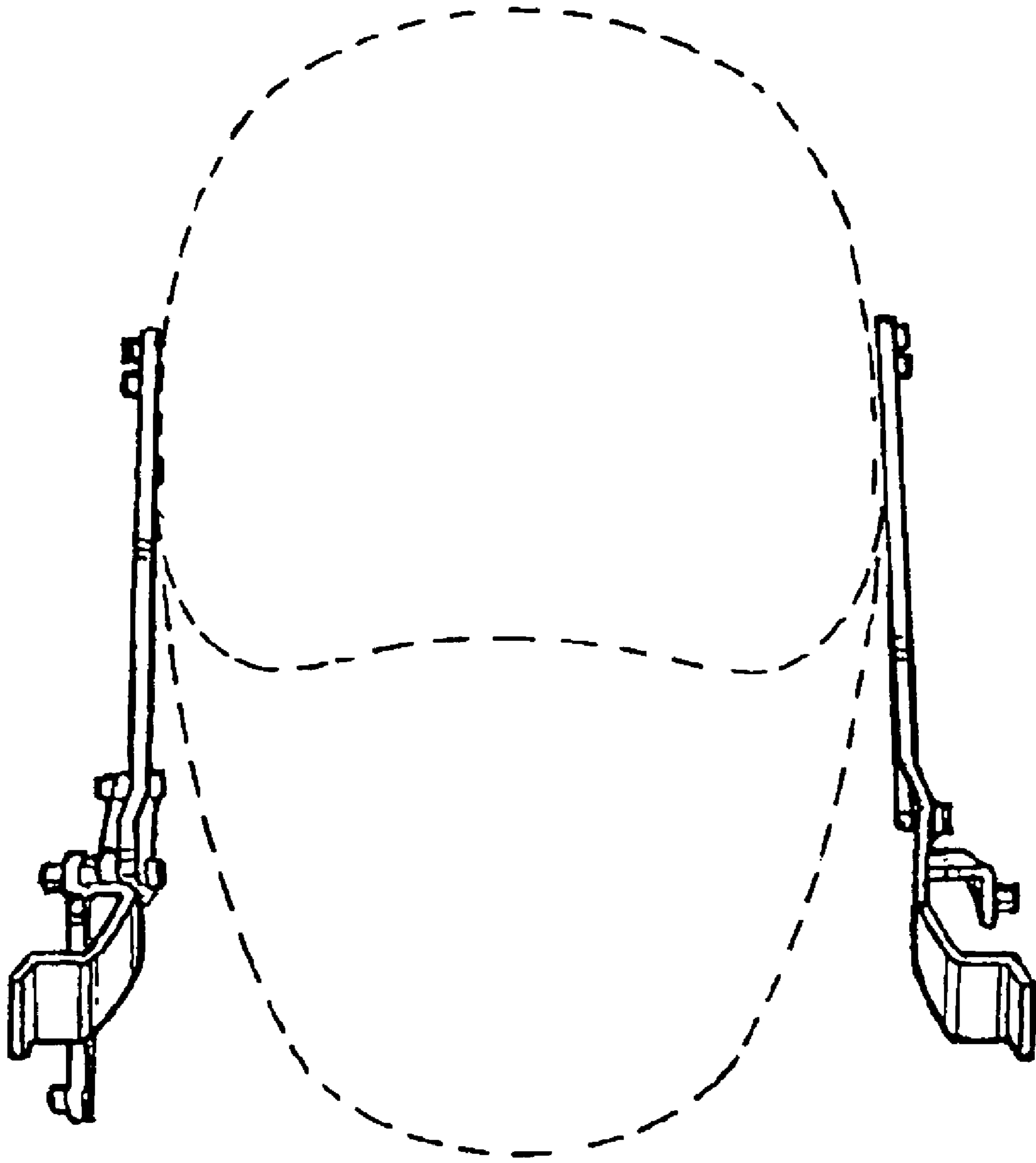


FIG. 3