

US00D498725S

(12) **United States Design Patent**  
**Suciu**

(10) **Patent No.:** **US D498,725 S**

(45) **Date of Patent:** **\*\* Nov. 23, 2004**

(54) **AUTOMOTIVE WHEEL**

(75) **Inventor:** **Hadrian Suciu, Anaheim, CA (US)**

(73) **Assignee:** **Kaizer Motorsports Co., Rancho Dominguez, CA (US)**

(\*\*) **Term:** **14 Years**

(21) **Appl. No.:** **29/194,956**

(22) **Filed:** **Dec. 4, 2003**

(51) **LOC (7) Cl.** ..... **12-16**

(52) **U.S. Cl.** ..... **D12/211**

(58) **Field of Search** ..... **D12/204-213;**  
**301/37.101, 64.101, 65**

D466,069 S	*	11/2002	Kataoka	.....	D12/211
D470,449 S	*	2/2003	Bernoni	.....	D12/211
D473,837 S	*	4/2003	Vian	.....	D12/211
D480,038 S	*	9/2003	Oh	.....	D12/211
D487,419 S	*	3/2004	Kim	.....	D12/211
D490,040 S	*	5/2004	Foose	.....	D12/211
D492,240 S	*	6/2004	Suciu	.....	D12/211

\* cited by examiner

*Primary Examiner*—Stacia Cadmus

(74) *Attorney, Agent, or Firm*—G. Donald Weber, Jr.

(57) **CLAIM**

The ornamental design for an automotive wheel, as shown and described.

**DESCRIPTION**

FIG. 1 is a perspective view of the automotive wheel of the instant invention; and,

FIG. 2 is a side elevation view of the automotive wheel of the instant invention.

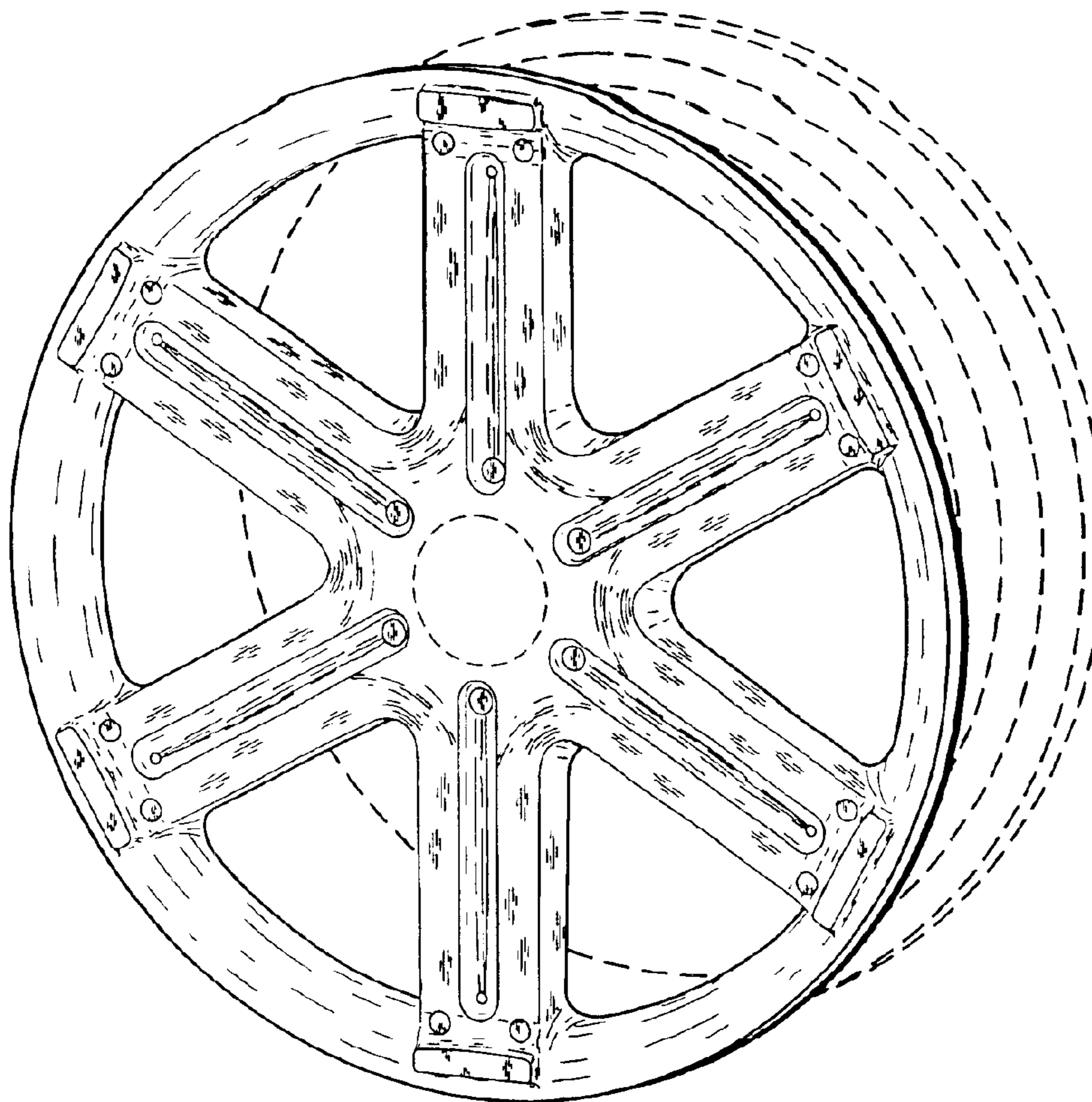
The broken line showing of environment is for illustrative purposes only and forms no part of the claimed design.

**1 Claim, 1 Drawing Sheet**

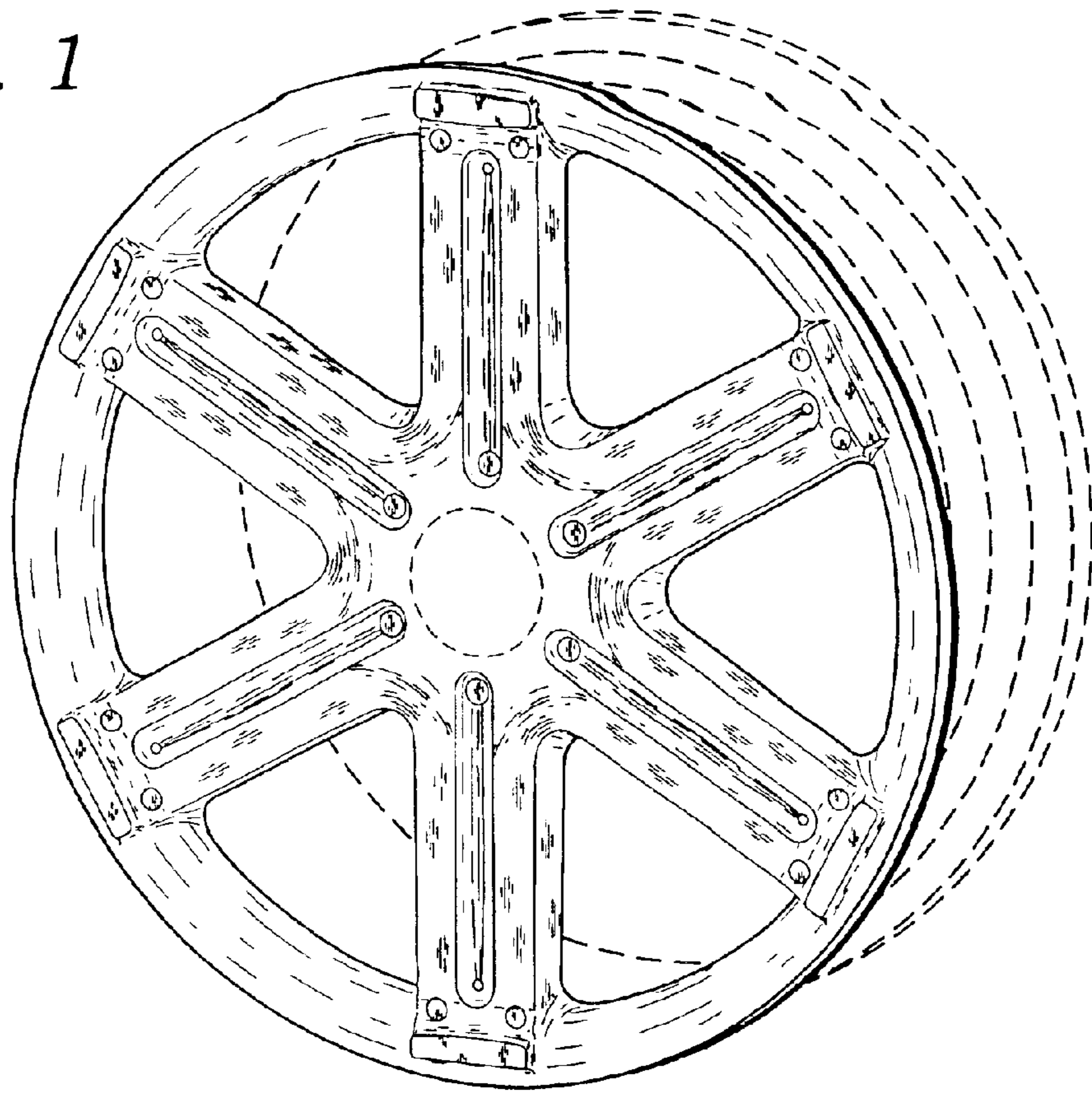
(56) **References Cited**

**U.S. PATENT DOCUMENTS**

D208,542 S	*	9/1967	Halibrand	.....	D12/211
D438,504 S	*	3/2001	Muzzarelli	.....	D12/211
D446,493 S	*	8/2001	Sulahian et al.	.....	D12/211
D454,107 S	*	3/2002	Chung	.....	D12/211
D459,692 S	*	7/2002	Vian	.....	D12/211
D466,067 S	*	11/2002	Muzzarelli	.....	D12/211



*Fig. 1*



*Fig. 2*

