

US00D498723S

(12) **United States Design Patent** (10) **Patent No.:** **US D498,723 S**
Cahyono (45) **Date of Patent:** **** Nov. 23, 2004**

(54) **VEHICLE WHEEL**
(75) **Inventor:** **Sumantri Cahyono, Surabaya (ID)**
(73) **Assignee:** **PT Prima Alloy Steel Universal, Sidoarjo (ID)**
(**) **Term:** **14 Years**
(21) **Appl. No.:** **29/204,302**
(22) **Filed:** **Apr. 27, 2004**
(51) **LOC (7) Cl.** **12-16**
(52) **U.S. Cl.** **D12/209**
(58) **Field of Search** **D12/204-213;**
..... **301/37.101, 64.101, 65**

D457,849 S * 5/2002 Kataoka D12/209
D478,540 S * 8/2003 Sulahian D12/209
D488,422 S * 4/2004 Hartanto D12/209
D492,234 S * 6/2004 Kataoka D12/209

* cited by examiner

Primary Examiner—Stacia Cadmus

(74) *Attorney, Agent, or Firm*—Fulwider Patton Lee & Utecht, LLP

(57) **CLAIM**

The ornamental design for the “vehicle wheel, ” as shown and described.

DESCRIPTION

FIG. 1 is a perspective view of the vehicle wheel showing my new design;

FIG. 2 is a front elevational view thereof; and,

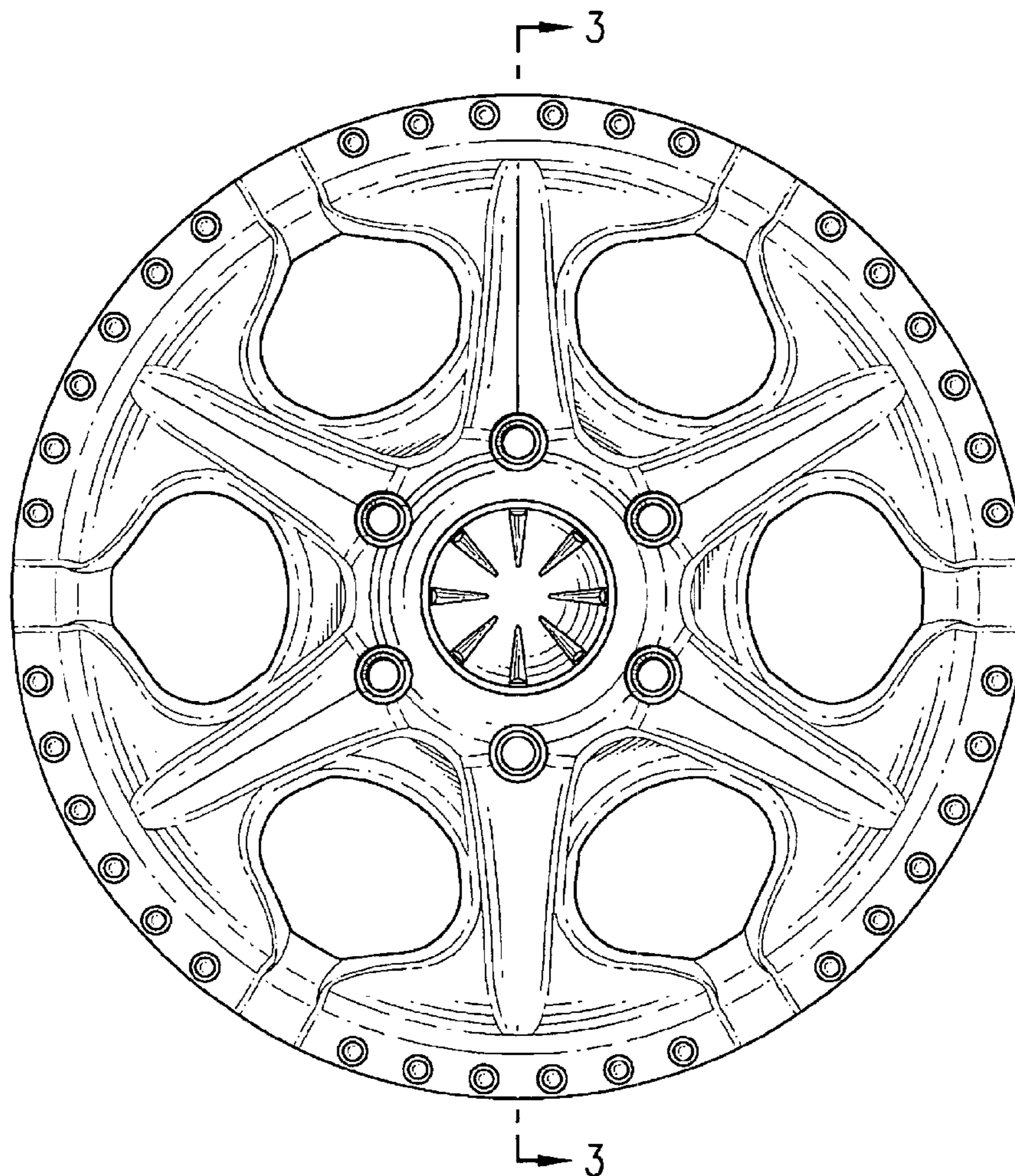
FIG. 3 is a cross-sectional view taken along the lines 3—3 of FIG. 2.

The broken line showing of environment is for illustrative purposes only and forms no part of the claimed design.

(56) **References Cited**
U.S. PATENT DOCUMENTS

D409,967 S * 5/1999 Chung D12/209
D425,849 S * 5/2000 Chung D12/209
D432,480 S * 10/2000 Chung D12/209
D434,712 S * 12/2000 Chung D12/209

1 Claim, 3 Drawing Sheets



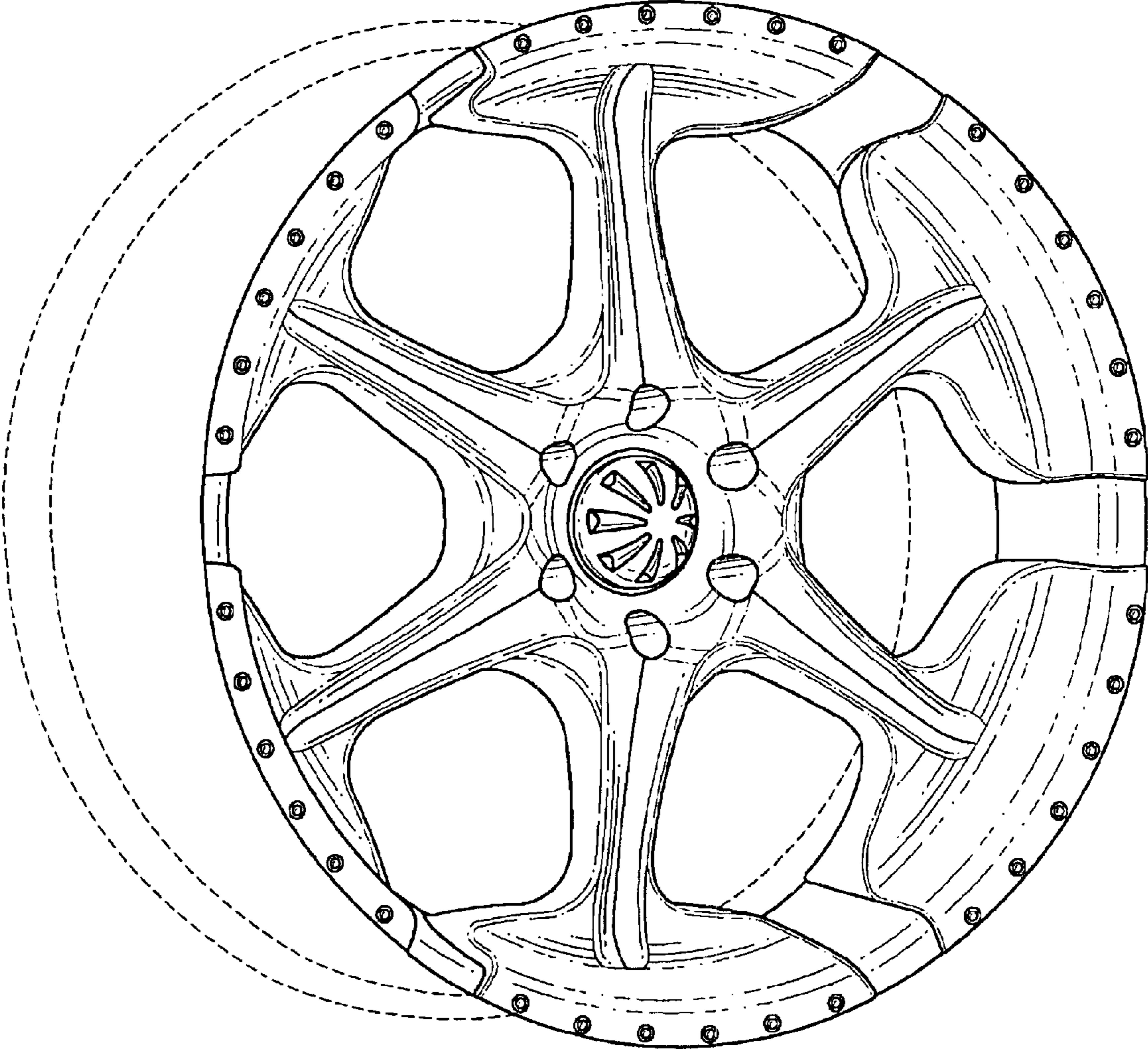


FIG. 1

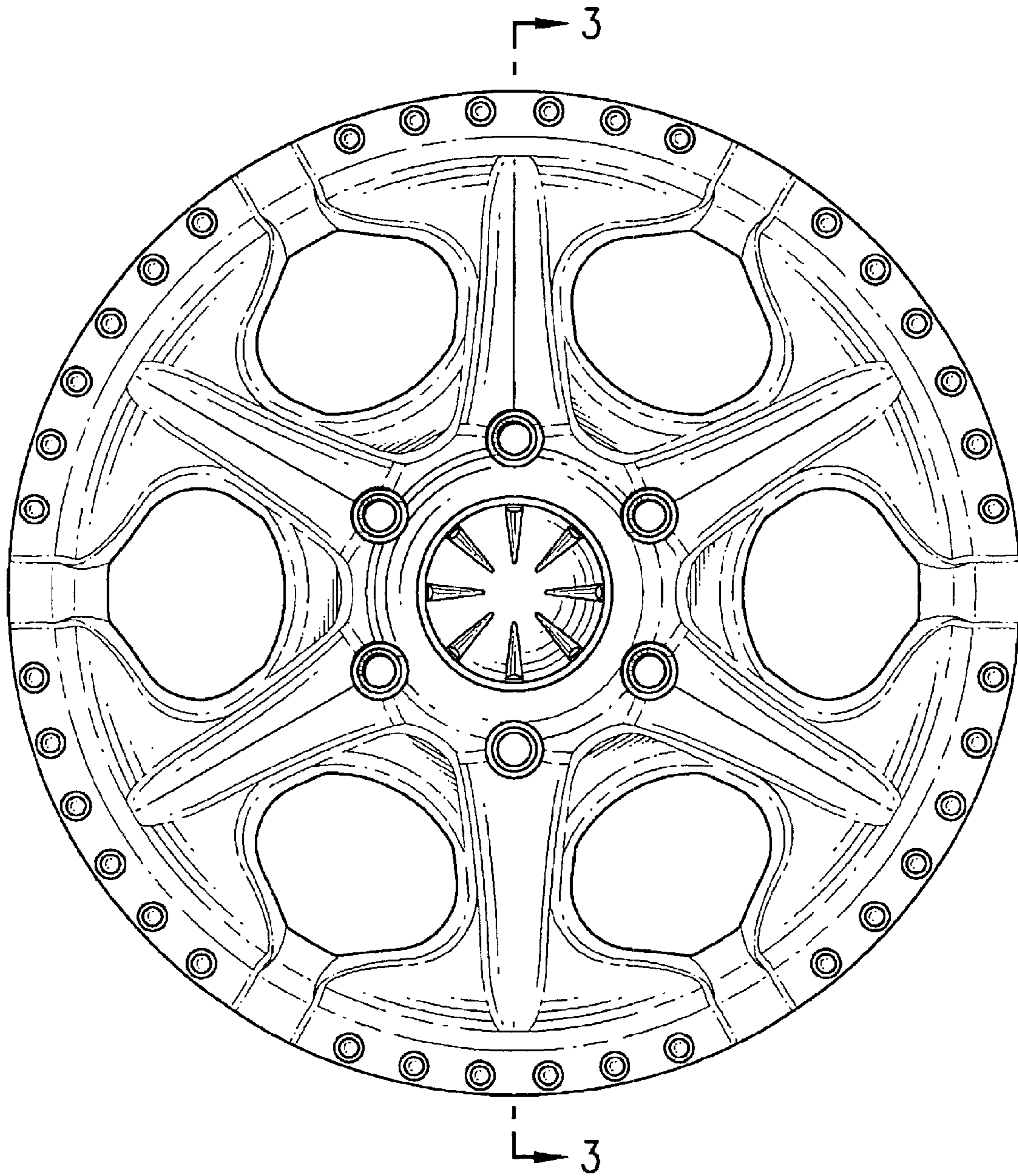


FIG. 2

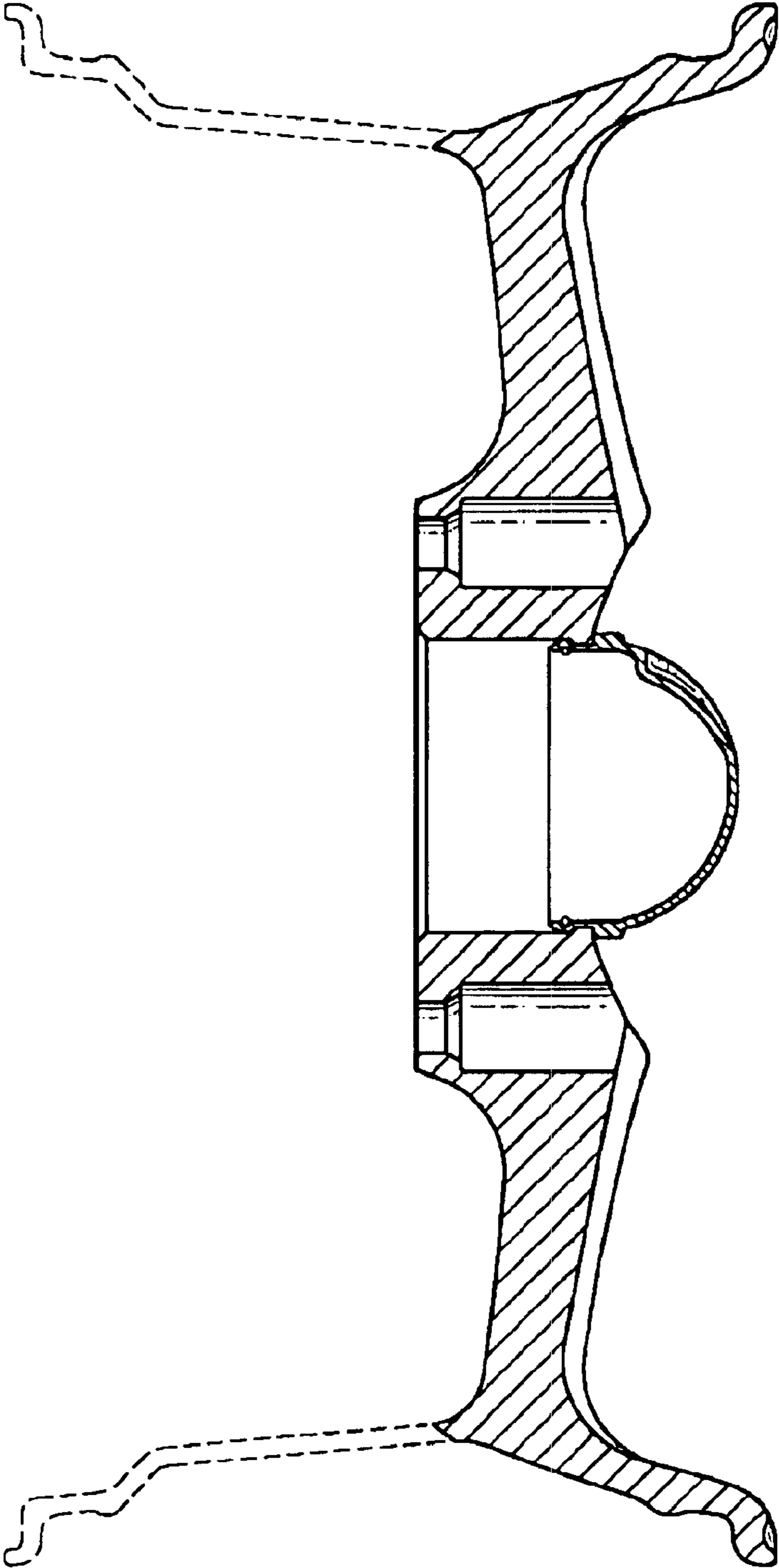


FIG. 3