

US00D498721S

(12) **United States Design Patent**  
**Huang**

(10) **Patent No.:** **US D498,721 S**

(45) **Date of Patent:** **\*\* Nov. 23, 2004**

(54) **REARVIEW MIRROR**

(76) **Inventor:** **Wen Huang**, No. 25, Alley 244, Lane 484, Sec. 1, King Hua Road, Tainan (TW)

(\*\*) **Term:** **14 Years**

(21) **Appl. No.:** **29/195,856**

(22) **Filed:** **Dec. 19, 2003**

(51) **LOC (7) Cl.** ..... **12-16**

(52) **U.S. Cl.** ..... **D12/187**

(58) **Field of Search** ..... D12/187-189; 359/838-851, 855-868, 871-881; 374/109, 162; 248/475.1, 476

(56) **References Cited**

**U.S. PATENT DOCUMENTS**

D409,540 S	*	5/1999	Muth	.....	D12/187
D428,842 S	*	8/2000	Todd et al.	.....	D12/188
D430,088 S	*	8/2000	Todd et al.	.....	D12/188
D445,743 S	*	7/2001	Hsu	.....	D12/187

D470,089 S	*	2/2003	Hook et al.	.....	D12/187
D474,723 S	*	5/2003	Song	.....	D12/187
D486,106 S	*	2/2004	Huang	.....	D12/187
D493,131 S	*	7/2004	Lawlor et al.	.....	D12/187

\* cited by examiner

*Primary Examiner*—Melody N. Brown

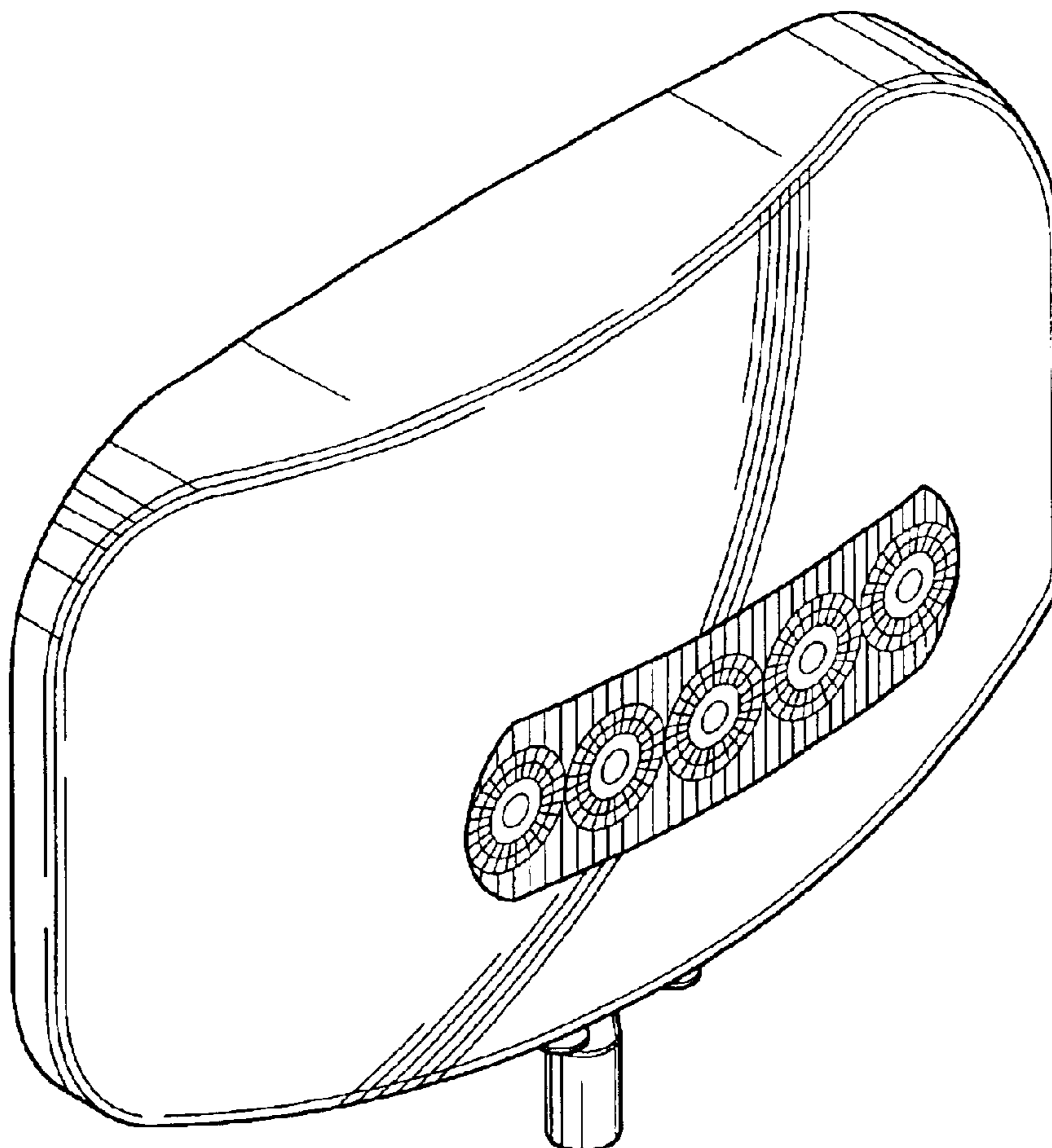
(57) **CLAIM**

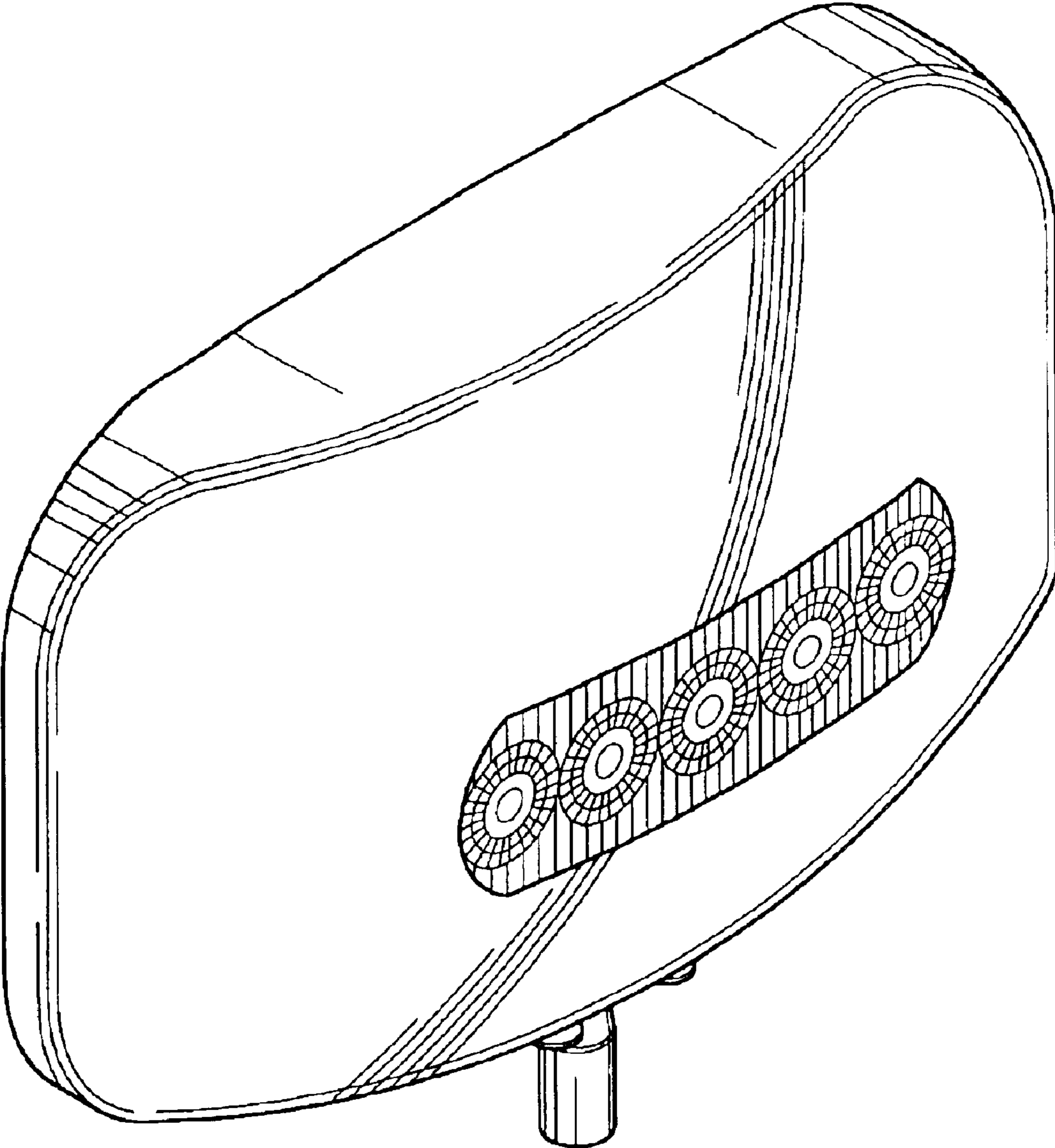
The ornamental design for a rearview mirror, as shown and described.

**DESCRIPTION**

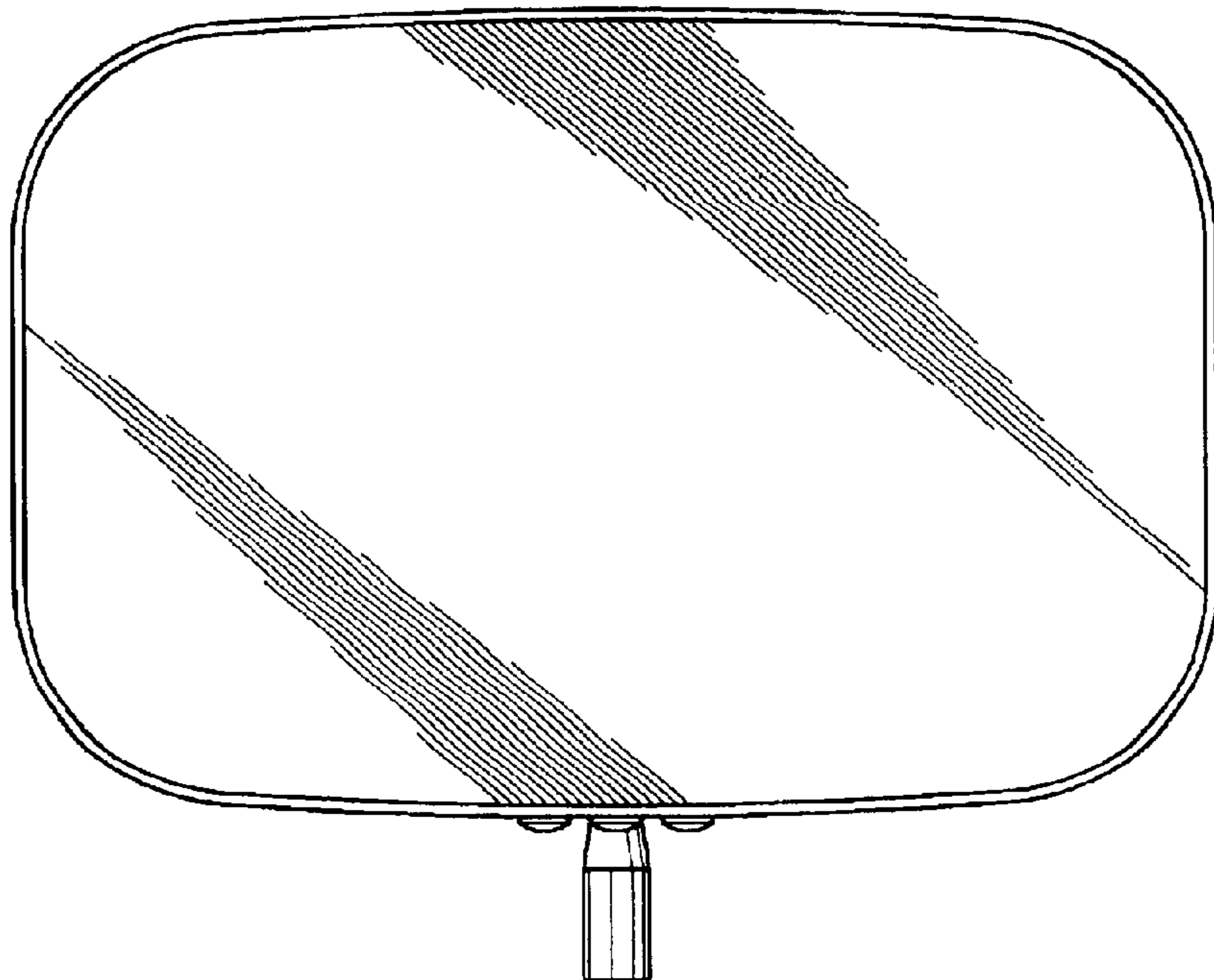
FIG. 1 is a perspective view of a rearview mirror showing my new design;  
FIG. 2 is a front elevational view thereof;  
FIG. 3 is a rear elevational view thereof;  
FIG. 4 is a left side elevational view thereof;  
FIG. 5 is a right side elevational view thereof;  
FIG. 6 is a top plan view thereof; and,  
FIG. 7 is a bottom plan view.

**1 Claim, 4 Drawing Sheets**

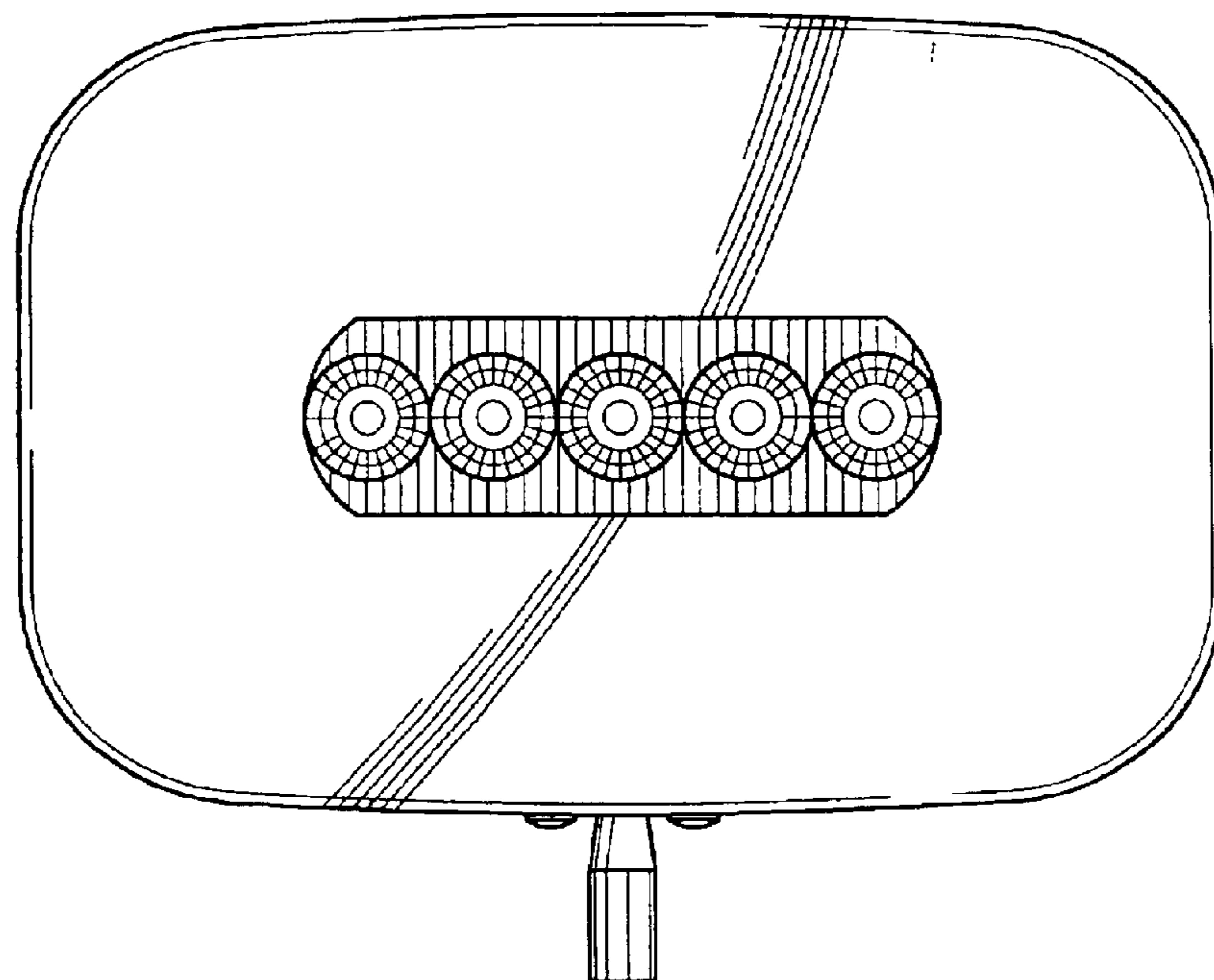




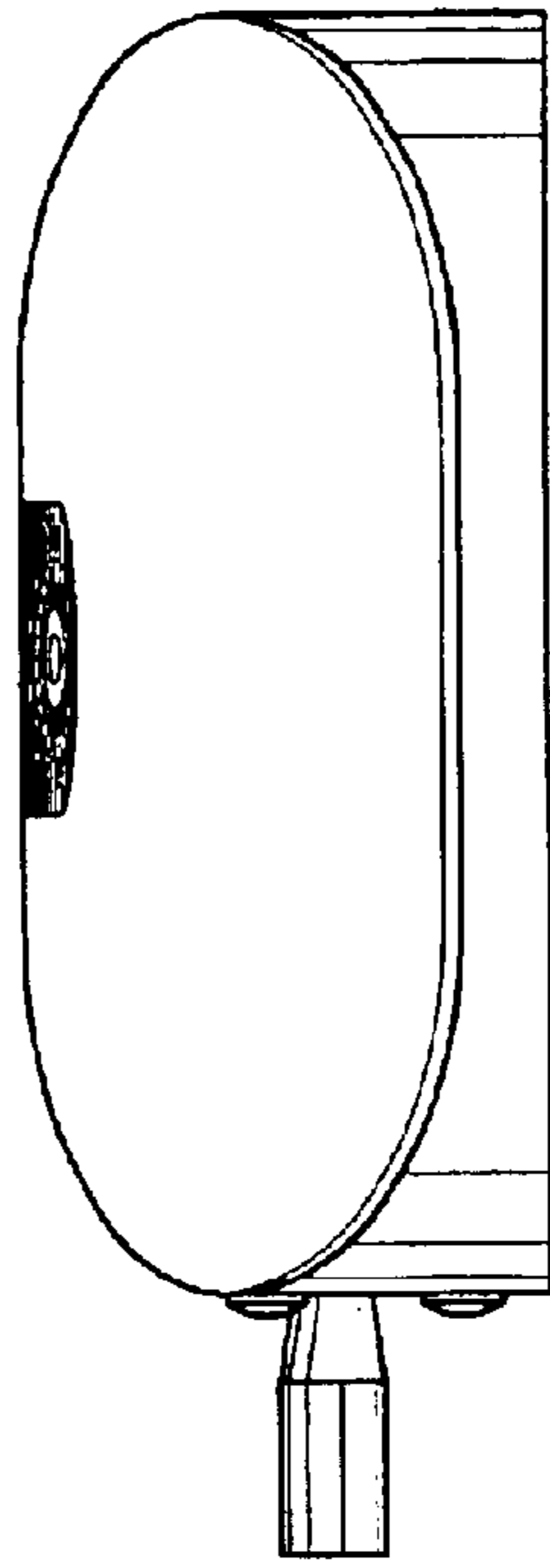
*FIG. 1*



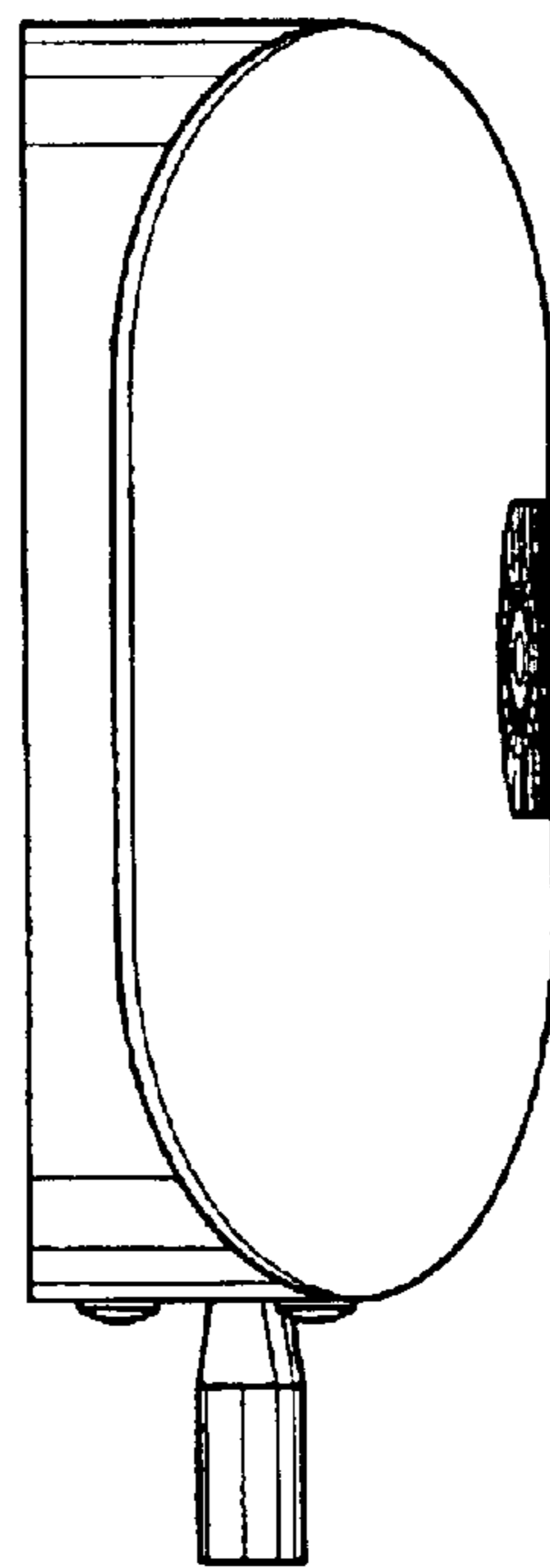
*FIG. 2*



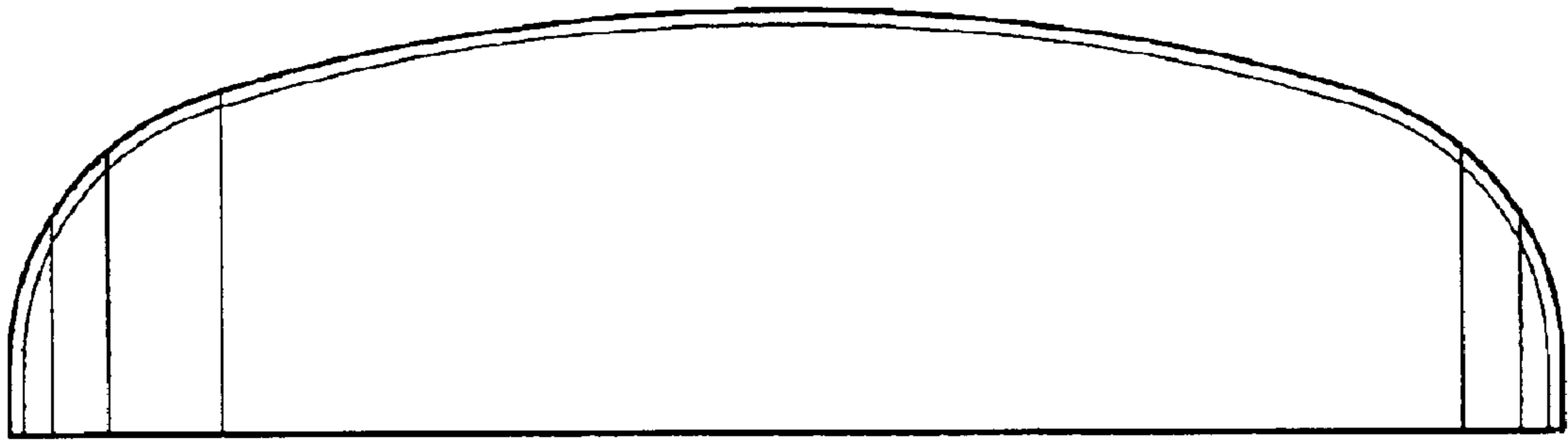
*FIG. 3*



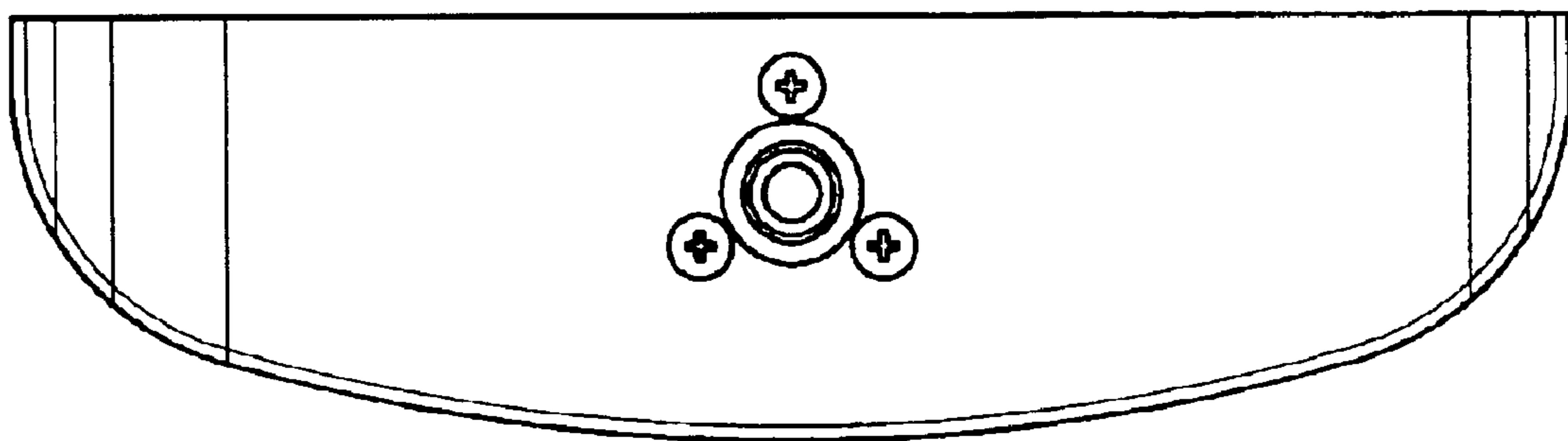
*FIG. 4*



*FIG. 5*



*FIG. 6*



*FIG. 7*