

US00D498715S

(12) **United States Design Patent**  
**Smith et al.**

(10) **Patent No.:** **US D498,715 S**

(45) **Date of Patent:** **\*\* Nov. 23, 2004**

(54) **HITCH FOR TWO WHEEL HUMAN TRANSPORTER**

(75) Inventors: **Jeffrey T. Smith**, Camarillo, CA (US);  
**Timothy J. Waite**, Camarillo, CA (US);  
**Lawrence S. Hanson**, Ojai, CA (US)

(73) Assignee: **Swaison Inc.**, Camarillo, CA (US)

(\*\*) Term: **14 Years**

(21) Appl. No.: **29/186,502**

(22) Filed: **Jul. 15, 2003**

(51) **LOC (7) Cl.** ..... **12-16**

(52) **U.S. Cl.** ..... **D12/162**

(58) **Field of Search** ..... D12/162, 400,  
D12/406, 1; 180/218, 7.1, 8.2-8.3, 21,  
65.1; 280/415.1, 727, 760-762, 769, 848;  
296/3, 100, 37.1, 37.7; 248/286-287; 108/44,  
150

(56) **References Cited**

**U.S. PATENT DOCUMENTS**

D296,886 S \* 7/1988 Young, Jr. .... D12/162  
D311,511 S \* 10/1990 Craig ..... D12/162

D414,732 S \* 10/1999 Redmond ..... D12/162  
D432,488 S \* 10/2000 Roll et al. .... D12/406  
D445,395 S \* 7/2001 Okerlund et al. .... D12/400  
D468,681 S \* 1/2003 Rath ..... D12/400  
D481,350 S \* 10/2003 McCoy et al. .... D12/400

\* cited by examiner

*Primary Examiner*—Stacia Cadmus

(74) *Attorney, Agent, or Firm*—Ralph D. Chabot

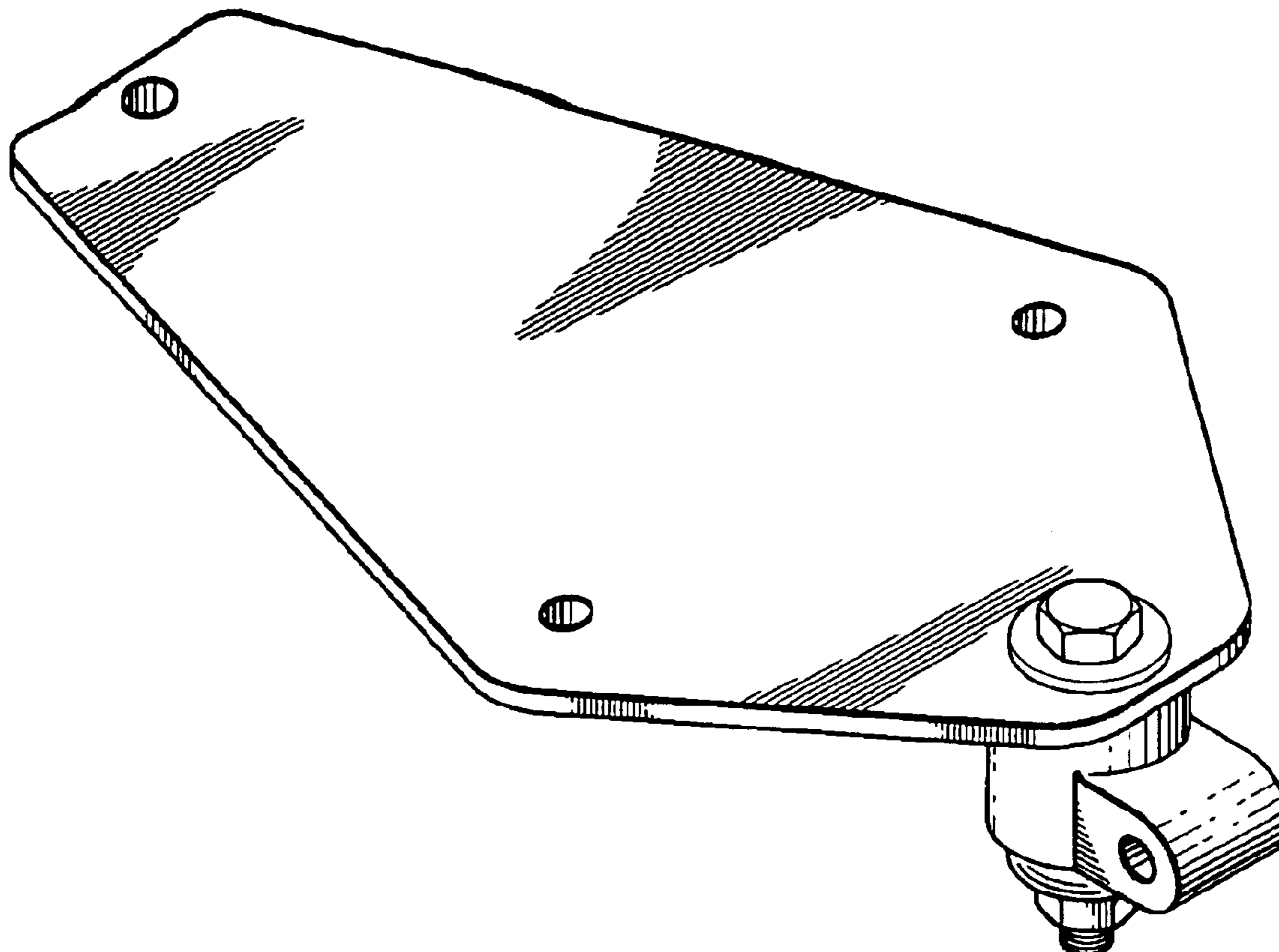
(57) **CLAIM**

The ornamental design for a hitch for two wheel human transporter, as shown and described.

**DESCRIPTION**

FIG. 1 is a perspective view of our hitch for two wheel human transporter;  
FIG. 2 is a rear view thereof;  
FIG. 3 is a front view thereof;  
FIG. 4 is a top plan view thereof;  
FIG. 5 is a side view of our hitch taken between the top plan and bottom plan views; the side view being a mirror image of the opposite side view taken between the top plan and bottom plan views; and,  
FIG. 6 is a bottom plan view thereof.

**1 Claim, 2 Drawing Sheets**



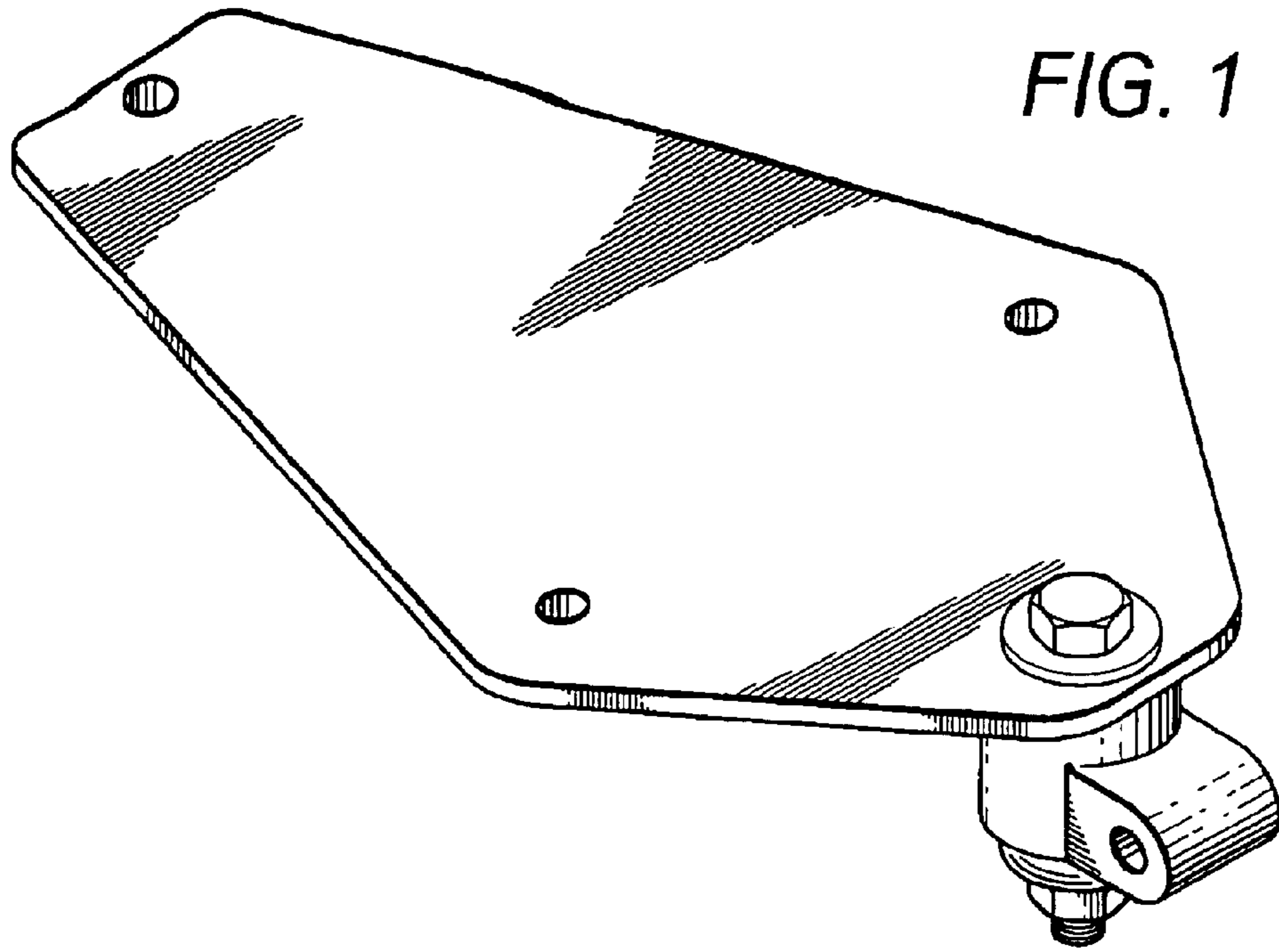


FIG. 2

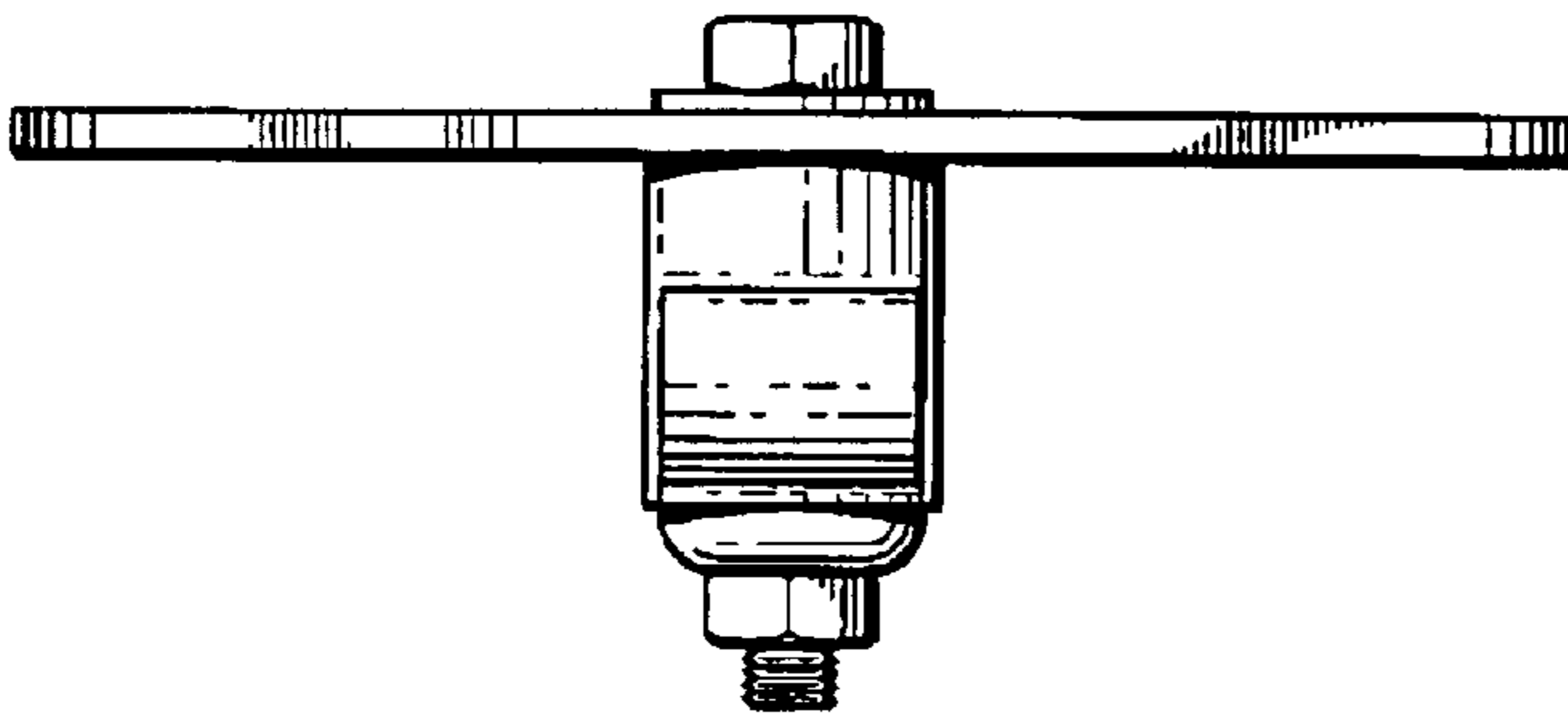


FIG. 3

