

US00D498713S

(12) **United States Design Patent**  
**Chou**

(10) **Patent No.:** **US D498,713 S**

(45) **Date of Patent:** **\*\* Nov. 23, 2004**

(54) **STROLLER**

D442,895 S \* 5/2001 Chiu ..... D12/129  
D456,319 S \* 4/2002 Yeh ..... D12/129  
D475,951 S \* 6/2003 Everett ..... D12/129

(75) **Inventor:** **Yu-Te Chou, Chia-I Hsien (TW)**

\* cited by examiner

(73) **Assignee:** **Link Treasure Limited, Tortola (VG)**

*Primary Examiner*—Marcus A. Jackson

(\*\*) **Term:** **14 Years**

(74) *Attorney, Agent, or Firm*—Birch, Stewart, Kolasch & Birch, LLP

(21) **Appl. No.:** **29/202,887**

(22) **Filed:** **Apr. 7, 2004**

(57) **CLAIM**

(30) **Foreign Application Priority Data**

The ornamental design for a “stroller”, as shown and described.

Oct. 8, 2003 (TW) ..... 92306017 U

**DESCRIPTION**

(51) **LOC (7) Cl.** ..... **12-99**

FIG. 1 is a perspective view of stroller showing our new design;

(52) **U.S. Cl.** ..... **D12/129**

FIG. 2 is a front view thereof;

(58) **Field of Search** ..... D12/128–133;  
280/36, 38, 42, 47, 67, 641, 642, 643, 650,  
658

FIG. 3 is a rear view thereof;

FIG. 4 is a right side elevational view thereof;

FIG. 5 is a left side elevational view thereof;

(56) **References Cited**

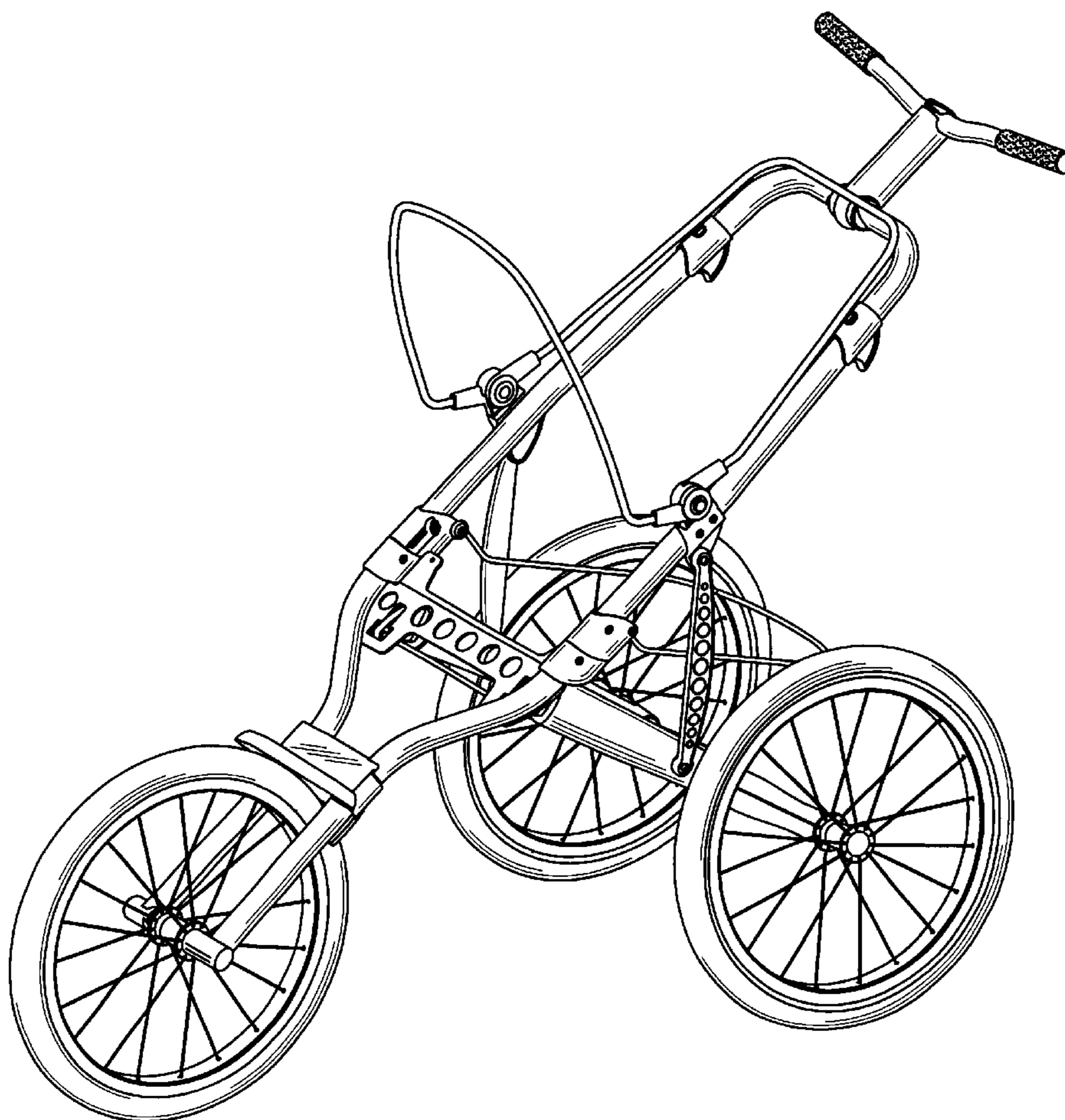
FIG. 6 is a top view thereof; and,

FIG. 7 is a bottom view thereof.

**U.S. PATENT DOCUMENTS**

D362,419 S \* 9/1995 Chih ..... D12/129

**1 Claim, 7 Drawing Sheets**



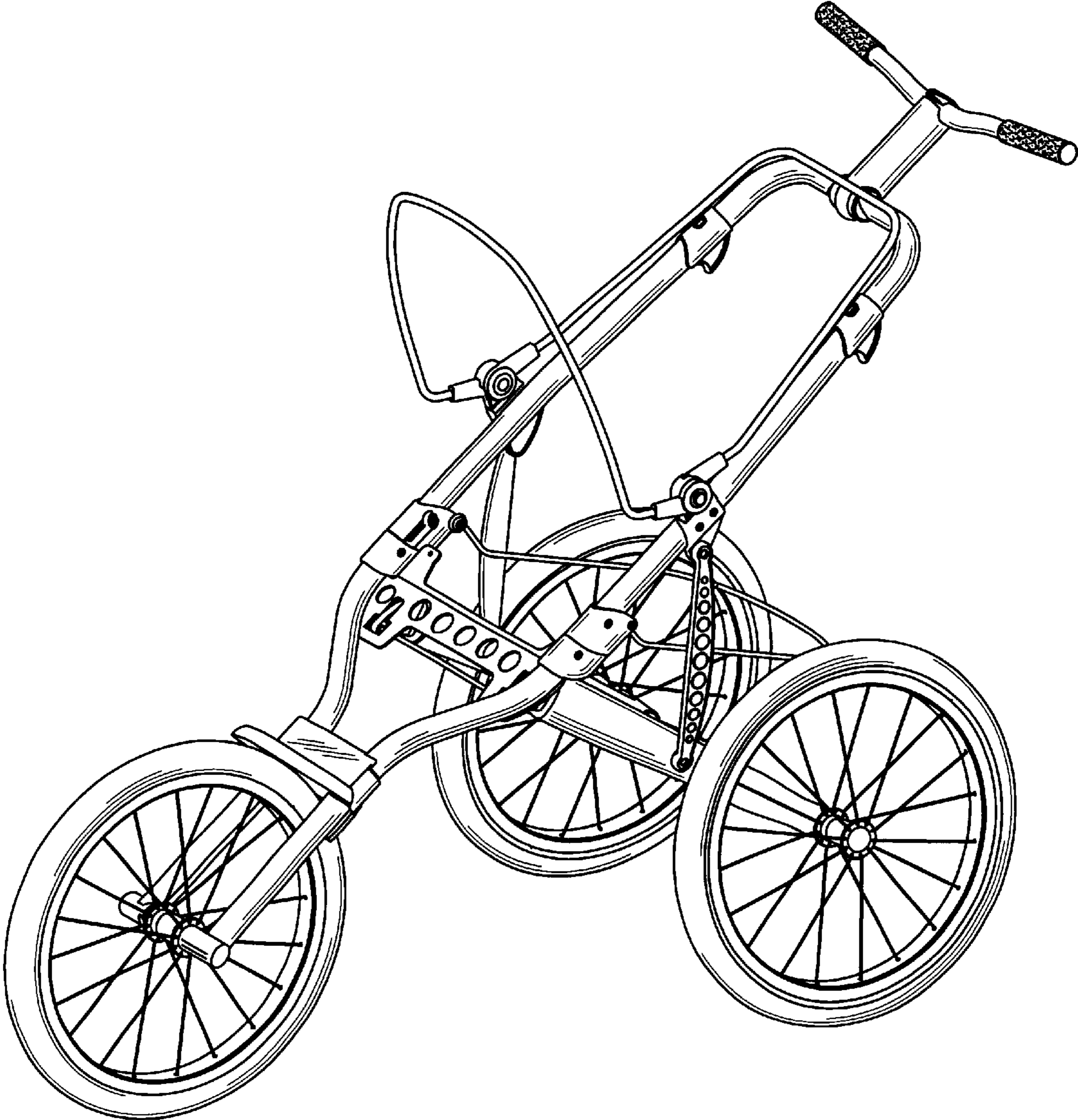


FIG. 1

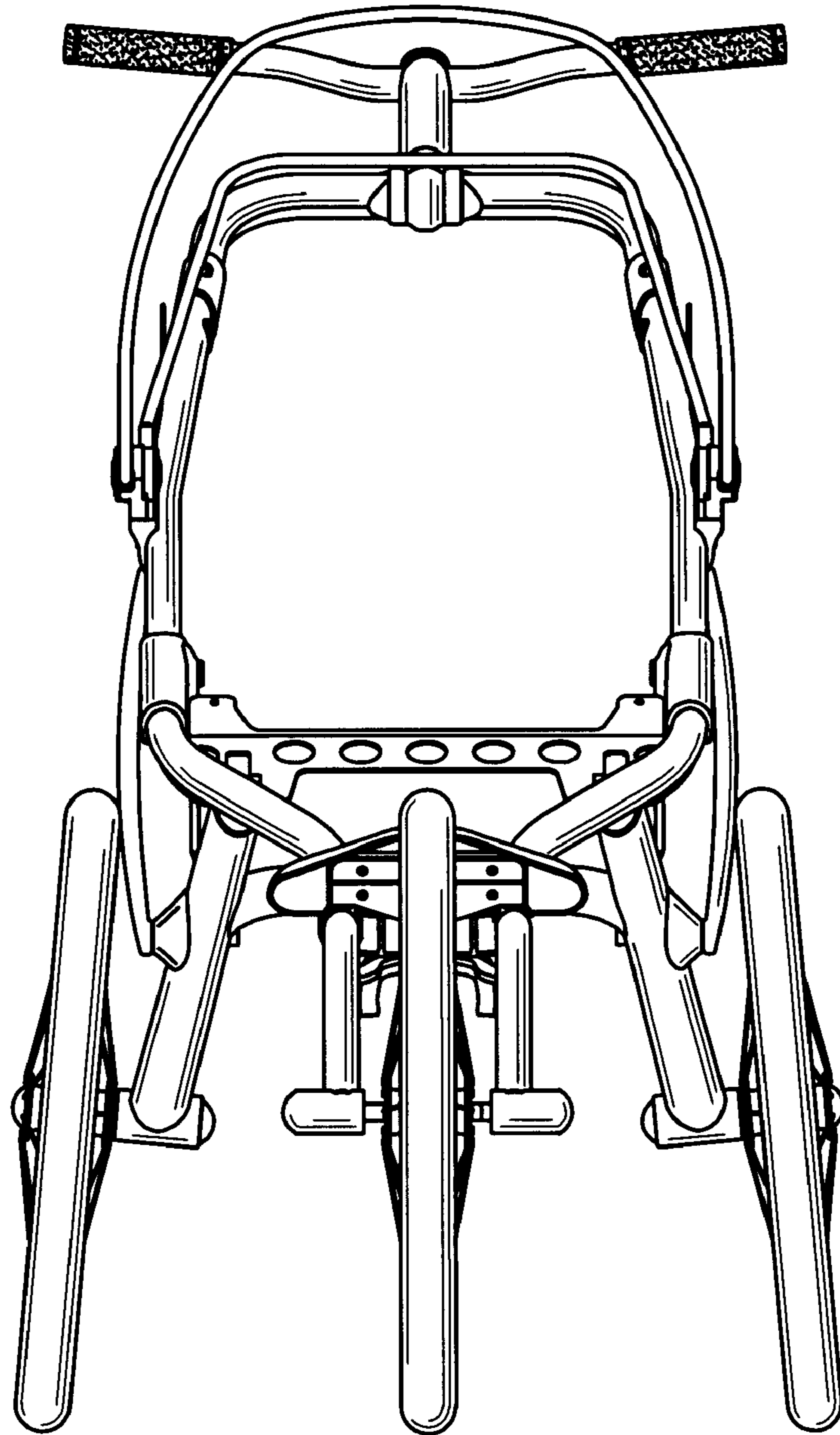


FIG. 2

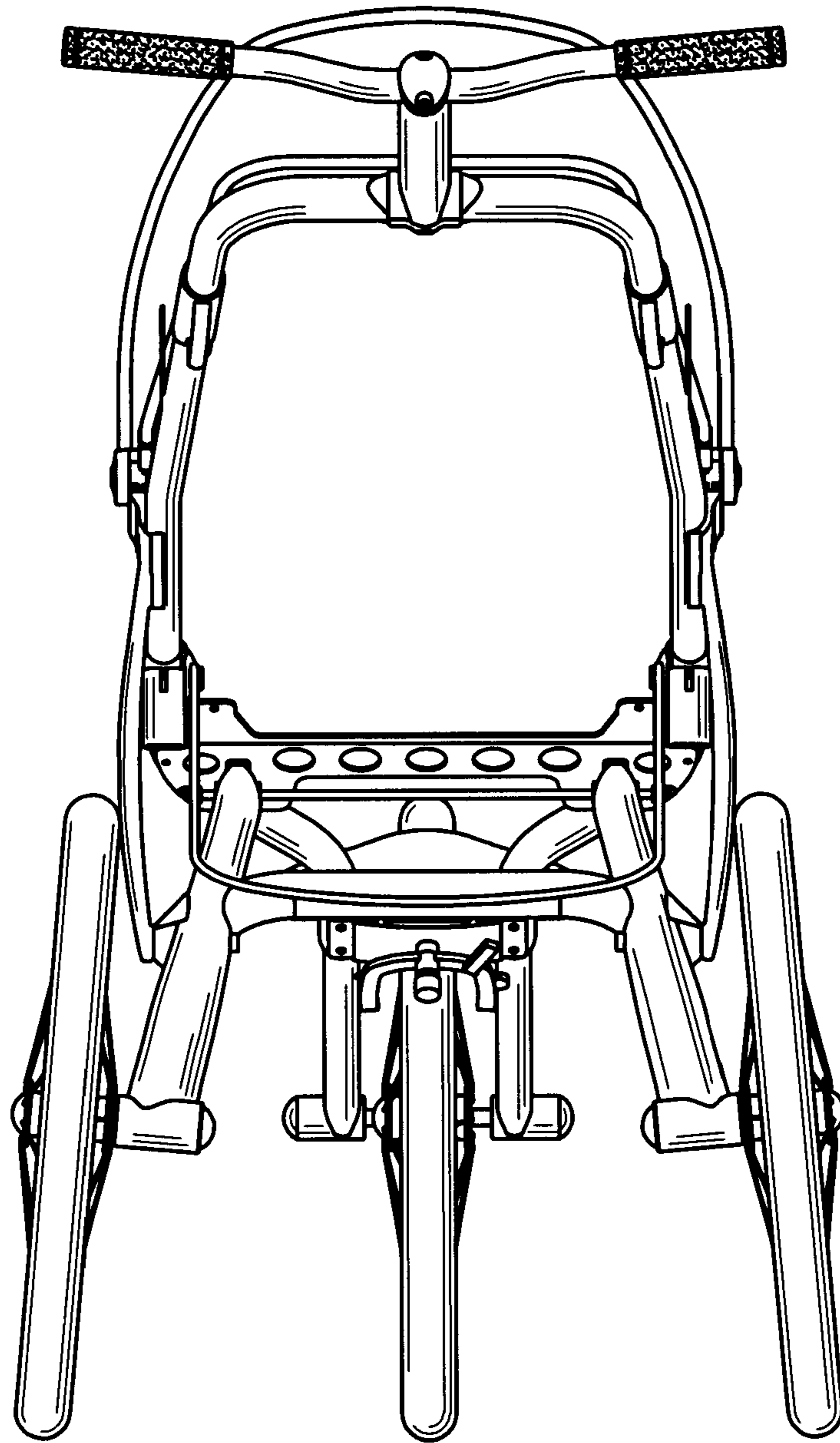


FIG. 3

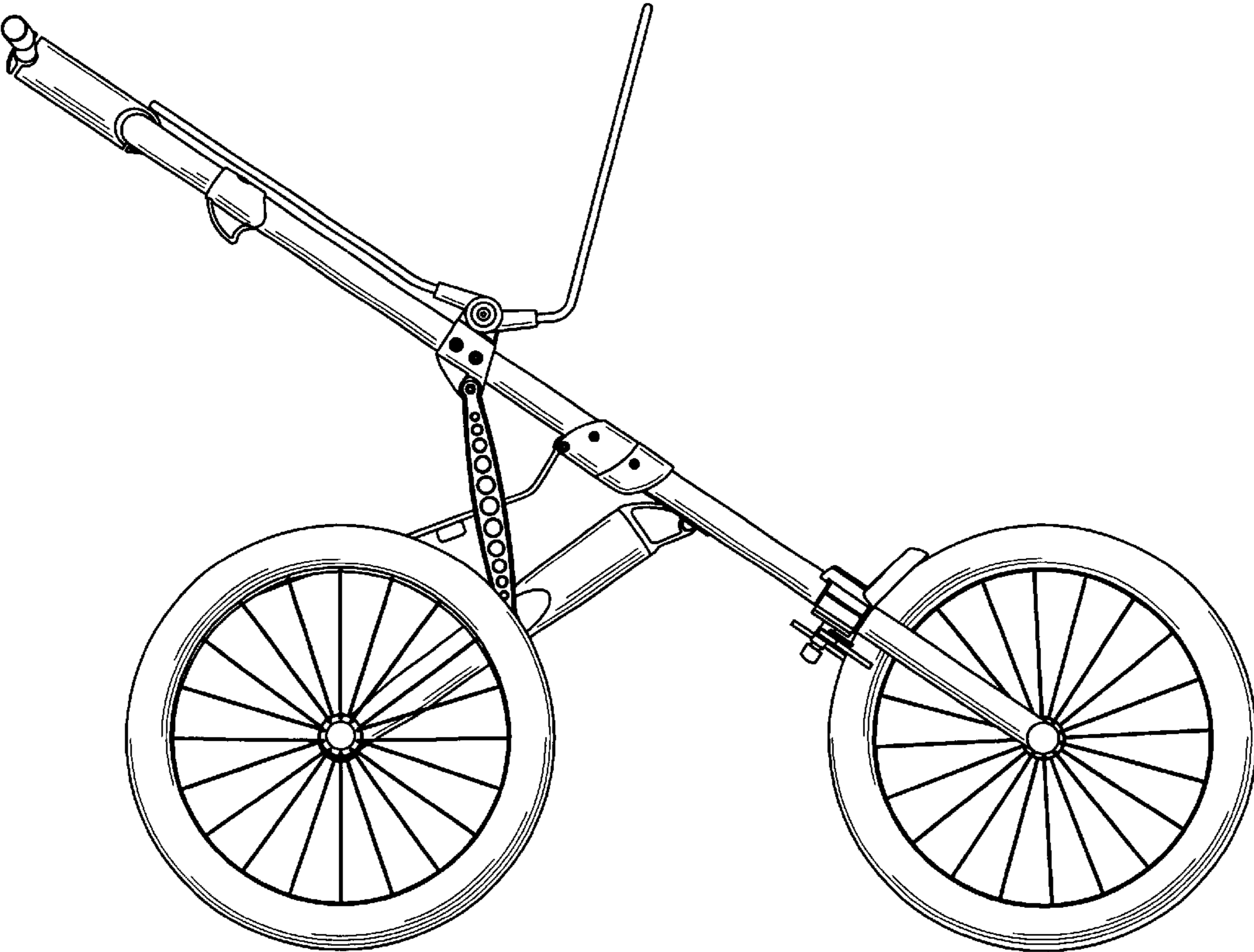


FIG. 4

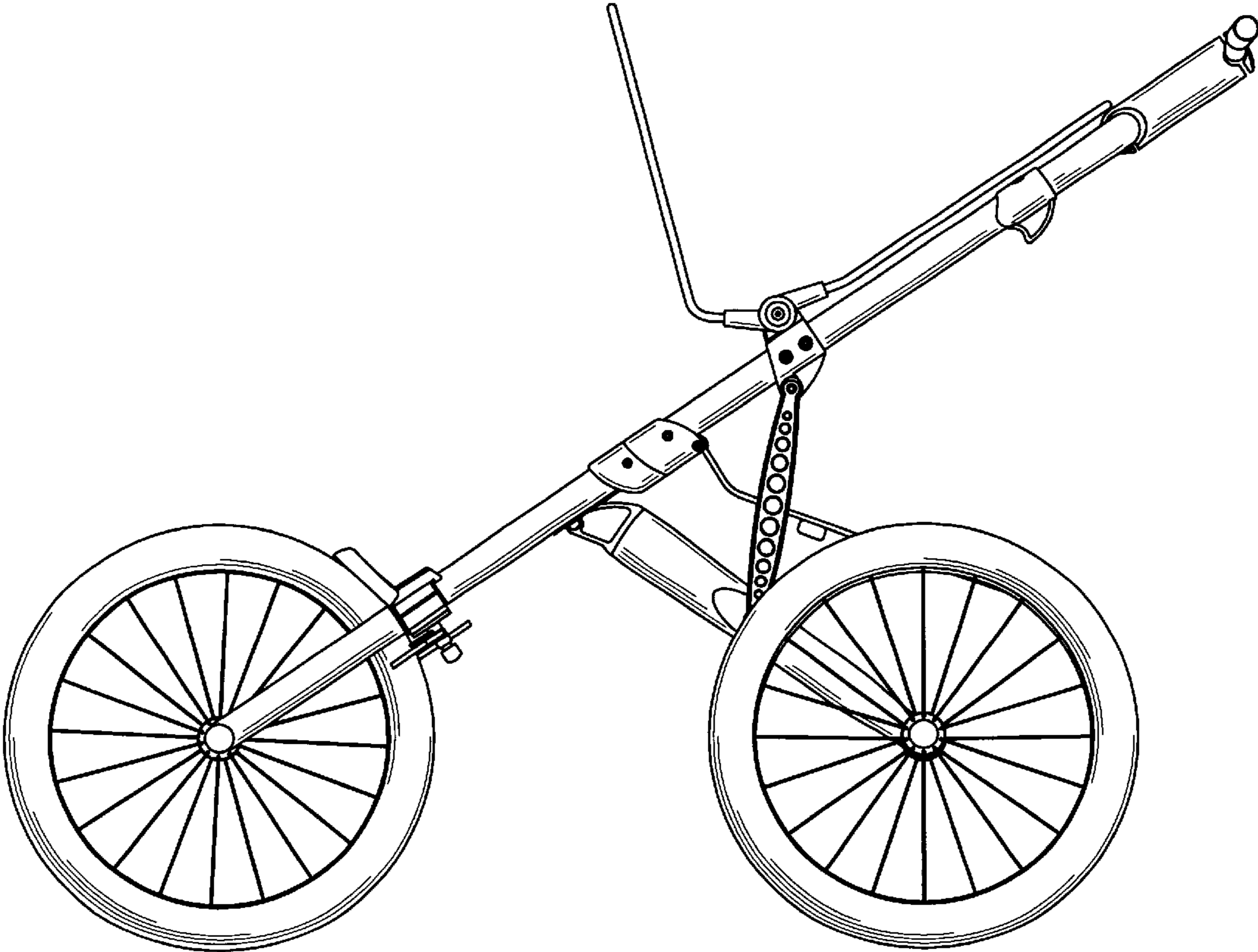


FIG. 5

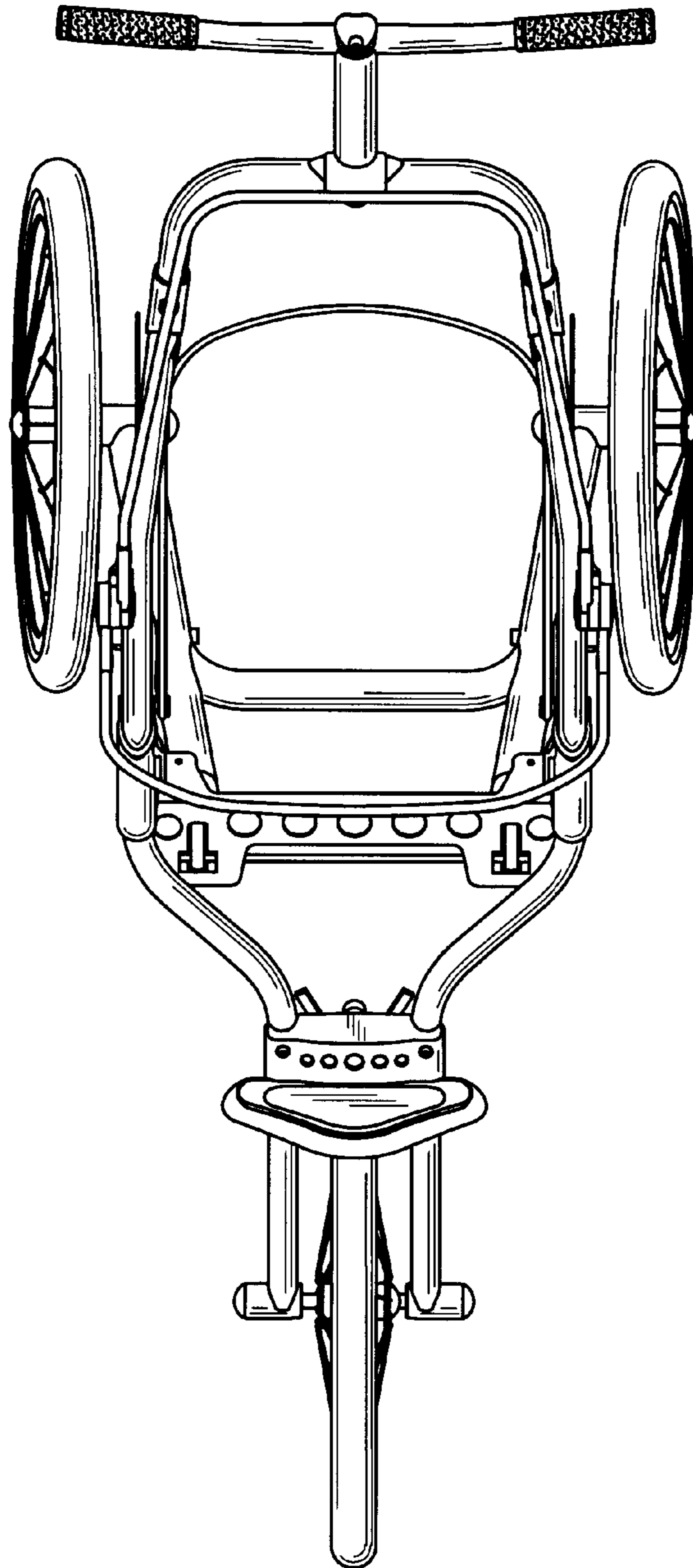


FIG. 6

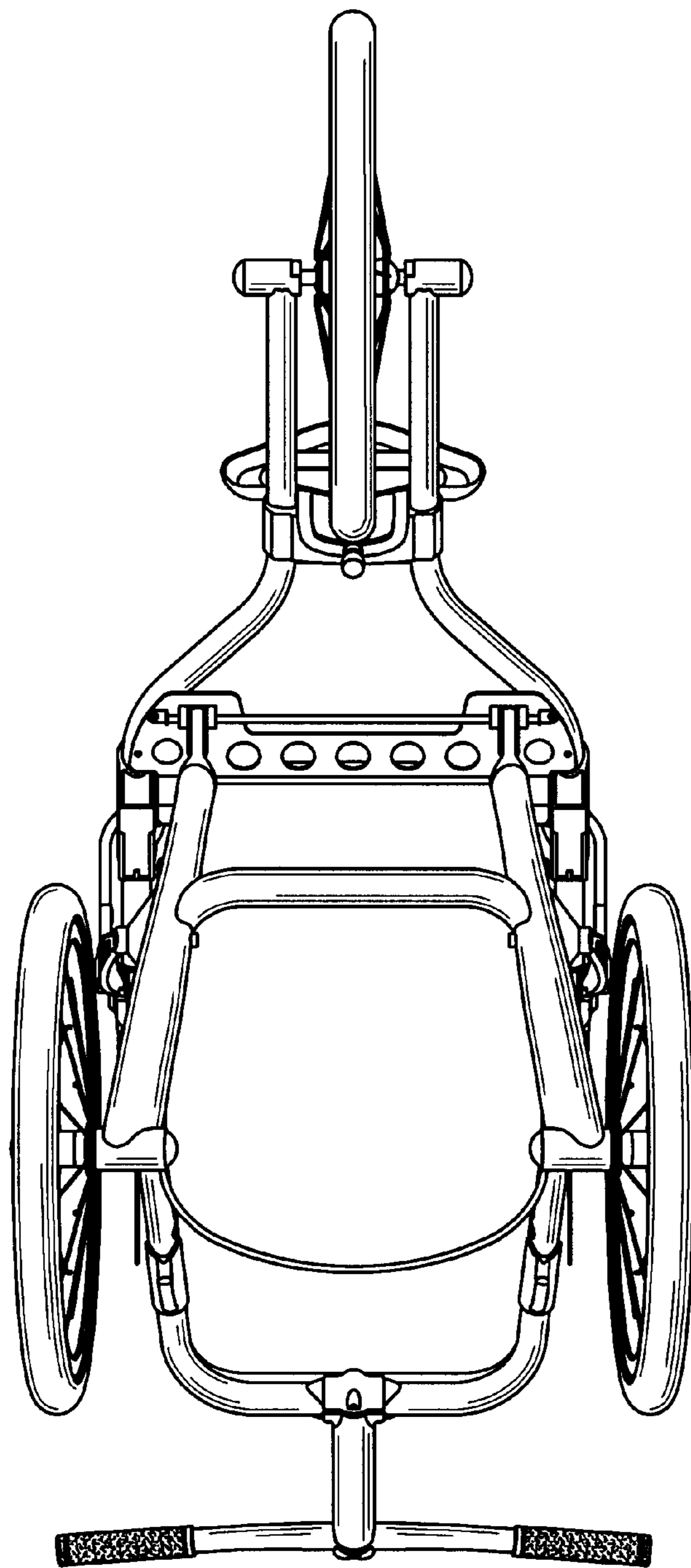


FIG. 7