



US00D498712S

(12) **United States Design Patent** (10) **Patent No.:** **US D498,712 S**  
**Jamison et al.** (45) **Date of Patent:** **\*\* Nov. 23, 2004**

(54) **GURNEY CHAIR**

(75) Inventors: **Milton Lewis Jamison**, Wakeeney, KS (US); **Michael Karl Johnson**, Hayes, KS (US)

(73) Assignee: **Raye's, Inc.**, Ellis, KS (US)

(\*\*) Term: **14 Years**

(21) Appl. No.: **29/199,527**

(22) Filed: **Feb. 17, 2004**

(51) **LOC (7) Cl.** ..... **12-99**

(52) **U.S. Cl.** ..... **D12/128**

(58) **Field of Search** ..... D12/128-133;  
5/81.1, 83.1, 86.1, 428, 618, 620; 280/250.1;  
297/DIG. 4

(56) **References Cited**

**U.S. PATENT DOCUMENTS**

D364,971 S	*	12/1995	Sterlacci	.....	D12/128
D414,143 S	*	9/1999	Brotherston	.....	D12/128
D464,004 S	*	10/2002	Noshi	.....	D12/128
D483,701 S	*	12/2003	Bazan	.....	D12/128

\* cited by examiner

*Primary Examiner*—Marcus A. Jackson

(74) *Attorney, Agent, or Firm*—Spencer Fane Britt & Browne LLP

(57) **CLAIM**

The ornamental design for a gurney chair, as shown and described.

**DESCRIPTION**

FIG. 1 is a perspective view of the gurney chair of the present invention showing my new design.

FIG. 2 is a left side view of the gurney chair of the present invention showing my new design.

FIG. 3 is a right side view of the gurney chair of the present invention showing my new design.

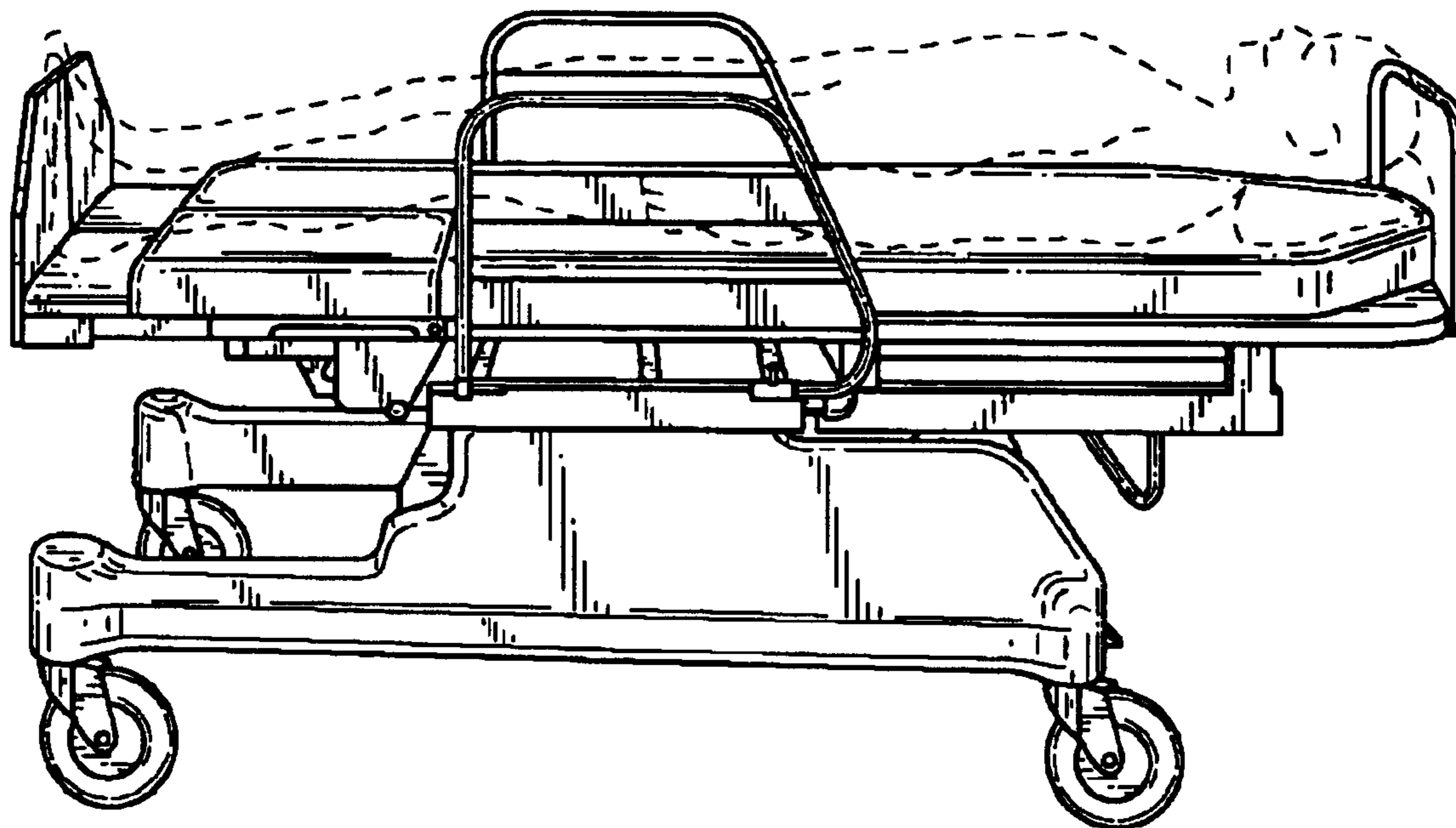
FIG. 4 is an end view of the gurney chair of the present invention as viewed from the head board end showing my new design.

FIG. 5 is foot end view of the gurney chair of the present invention as viewed from the foot end showing my new design; and,

FIG. 6 is a top view of the gurney chair of the present invention showing my new design.

The broken lines of FIG. 1 are for illustrative purposes only and form no part of the claimed design.

**1 Claim, 4 Drawing Sheets**



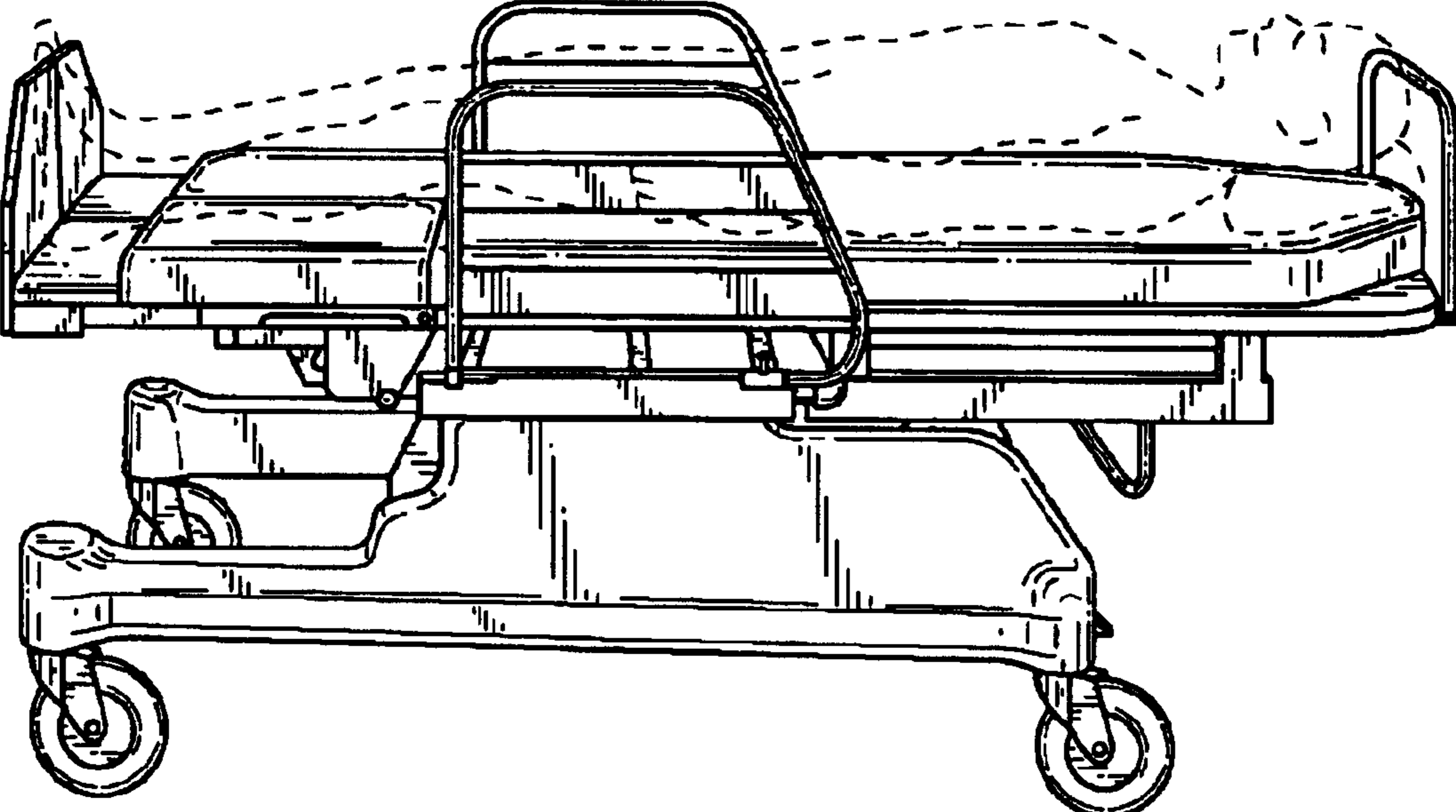


FIG.1

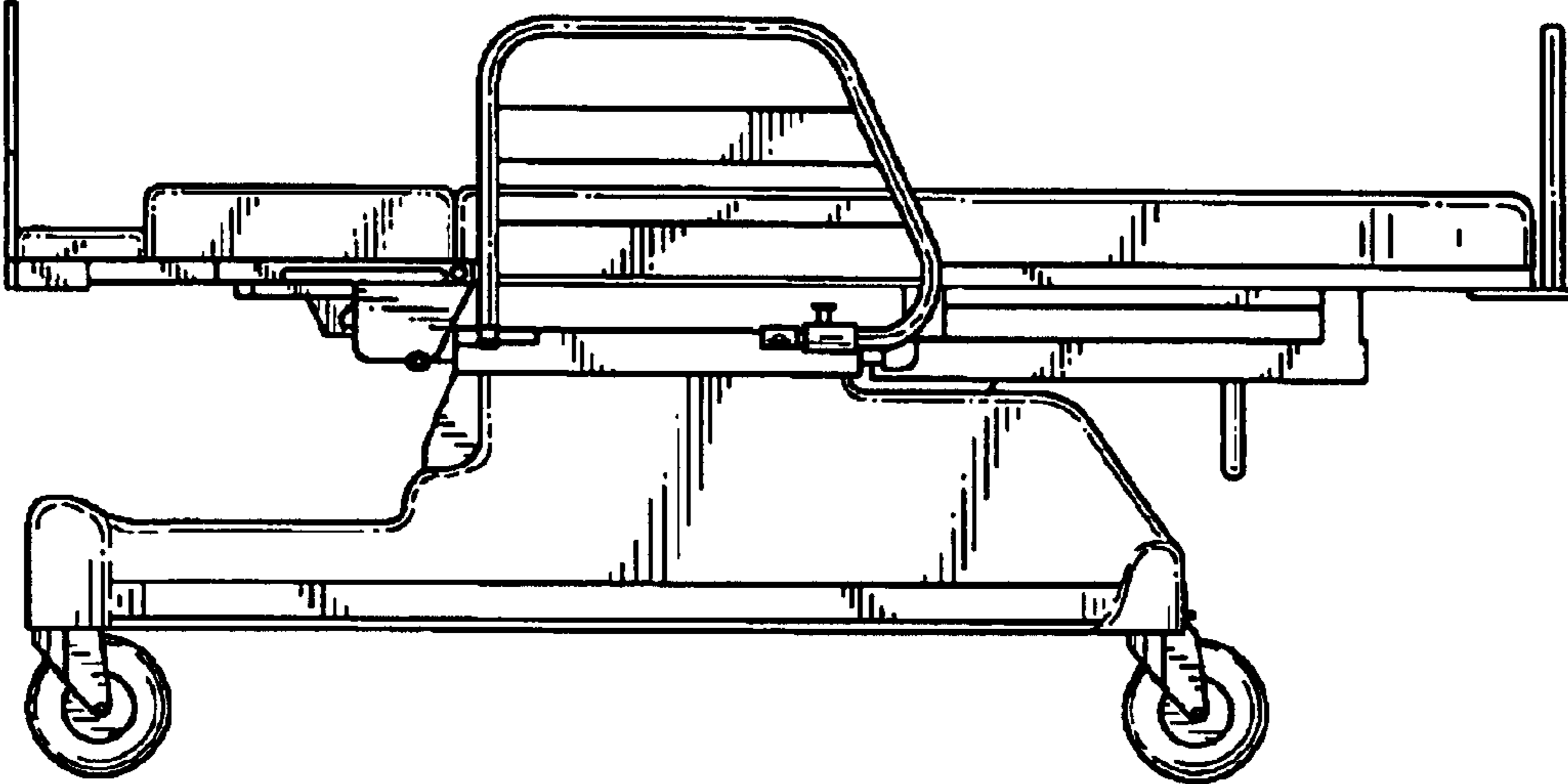


FIG.2

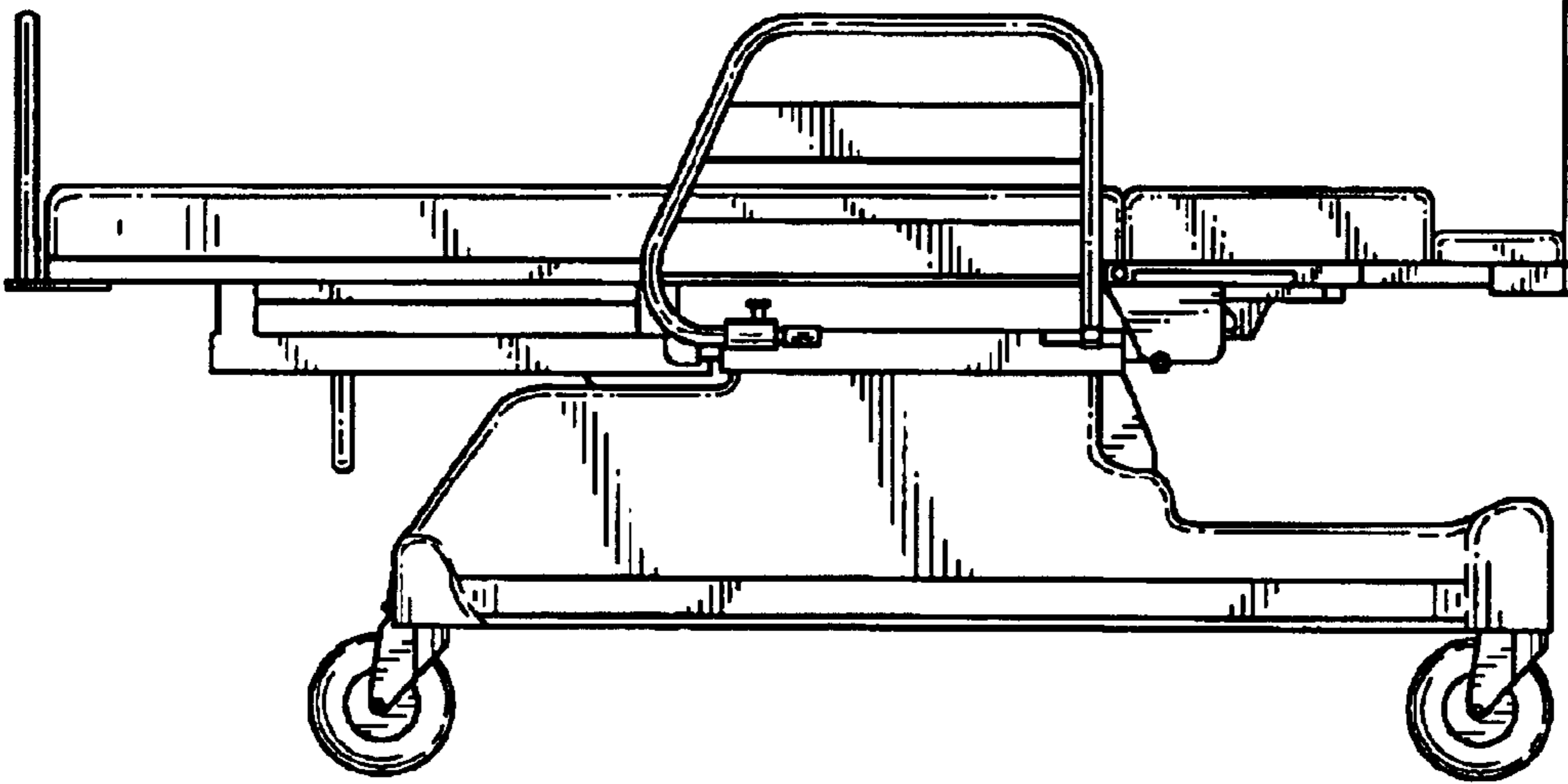


FIG.3

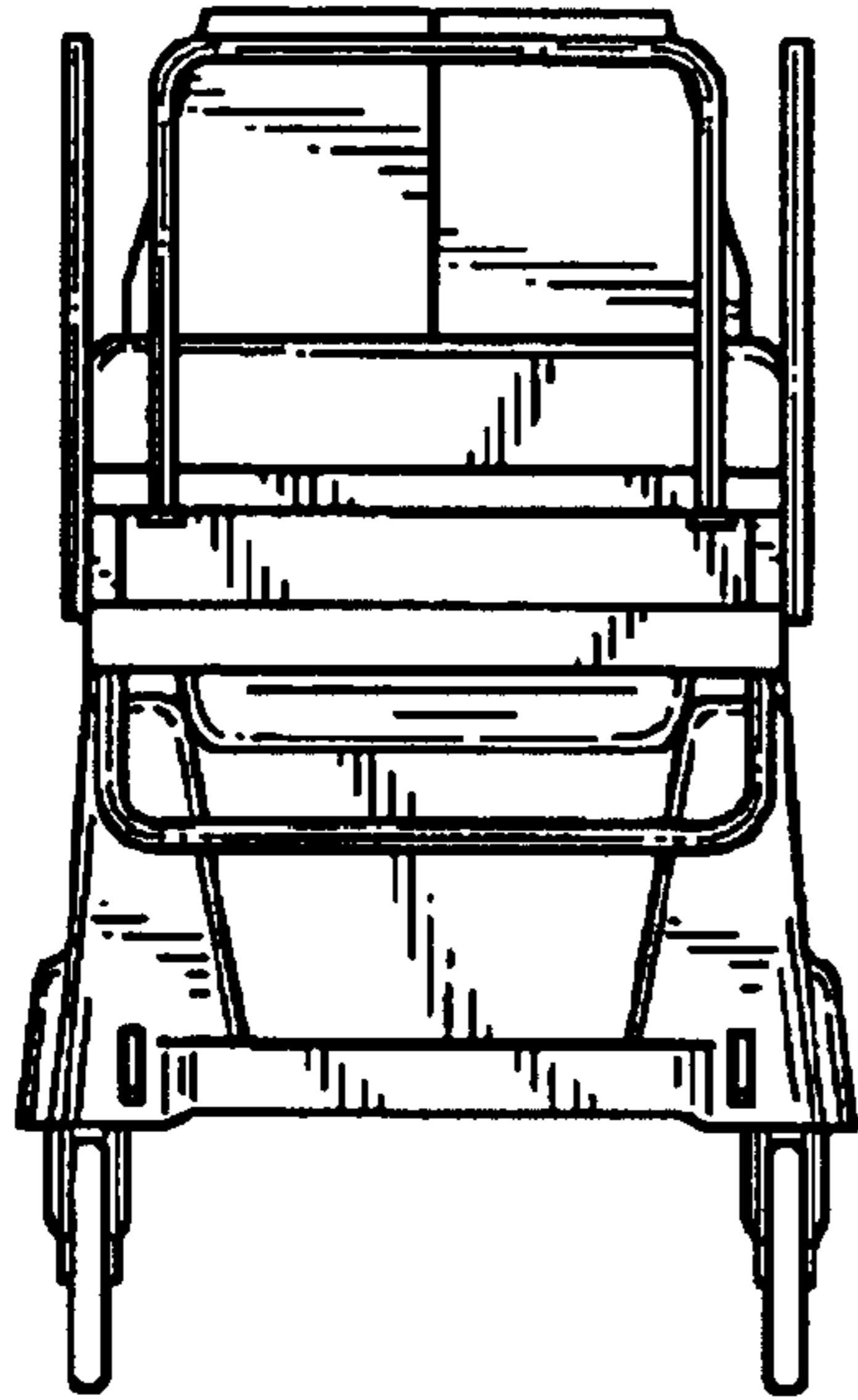


FIG.4

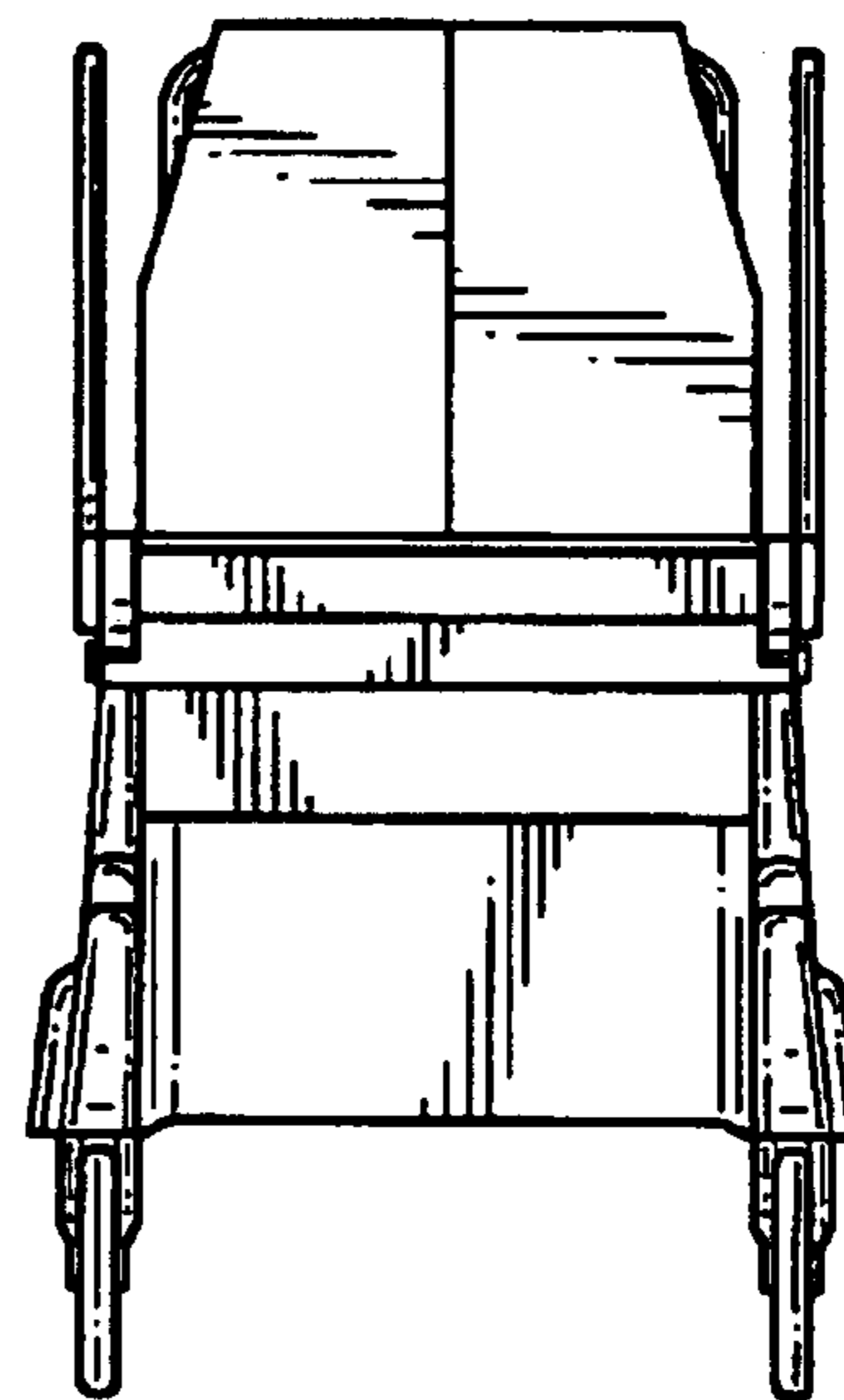


FIG.5

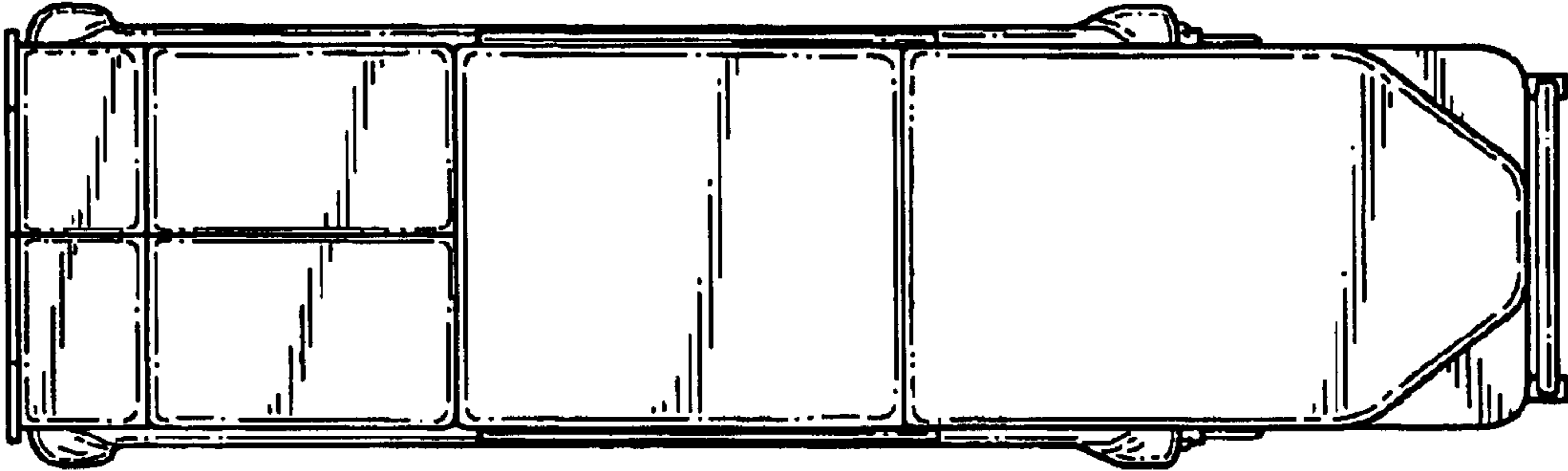


FIG.6