

US00D498707S

(12) **United States Design Patent**
Desmond et al.

(10) **Patent No.:** **US D498,707 S**

(45) **Date of Patent:** **** Nov. 23, 2004**

(54) **AUTOMOBILE BODY**

D490,022 S * 5/2004 Sims et al. D12/92
D490,344 S * 5/2004 Ramaciotti D12/92

(75) Inventors: **Michael A. Desmond**, Long Beach, CA
(US); **Richard Plavetich**, Laguna
Beach, CA (US)

* cited by examiner

Primary Examiner—Melody N. Brown

(73) Assignee: **Mitsubishi Jidosha Kogyo Kabushiki**
Kaisha, Tokyo (JP)

(74) *Attorney, Agent, or Firm*—Birch, Stewart, Kolasch &
Birch, LLP

(**) Term: **14 Years**

(57) **CLAIM**

The ornamental design for an automobile body, as shown
and described.

(21) Appl. No.: **29/194,454**

DESCRIPTION

(22) Filed: **Nov. 26, 2003**

(51) **LOC (7) Cl.** **12-08**

FIG. 1 is a front view of an automobile body constructed
according to our novel design;

(52) **U.S. Cl.** **D12/92**

FIG. 2 is a right side view thereof;

(58) **Field of Search** D12/90–92, 86,
D12/88; D21/424, 433, 548, 549; 296/185,
186

FIG. 3 is a top plan view thereof; and,

FIG. 4 is a rear view thereof.

The broken lines showing of environmental structure in
FIGS. 1–4 of the drawings are for illustrative purposes only
and form no part of the claimed design.

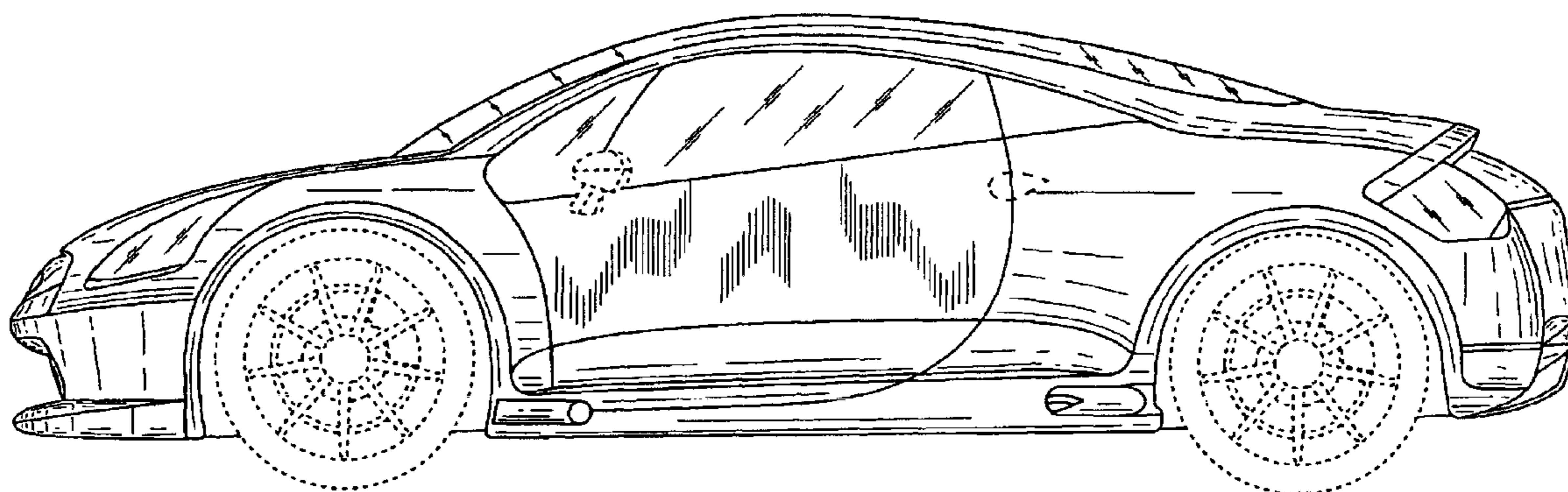
(56) **References Cited**

Left side view has been omitted because it is substantially
symmetrical to the right side view shown in FIG. 2.

U.S. PATENT DOCUMENTS

D422,942 S * 4/2000 Giugiaro D12/92
D476,601 S * 7/2003 Stoddard et al. D12/92

1 Claim, 3 Drawing Sheets



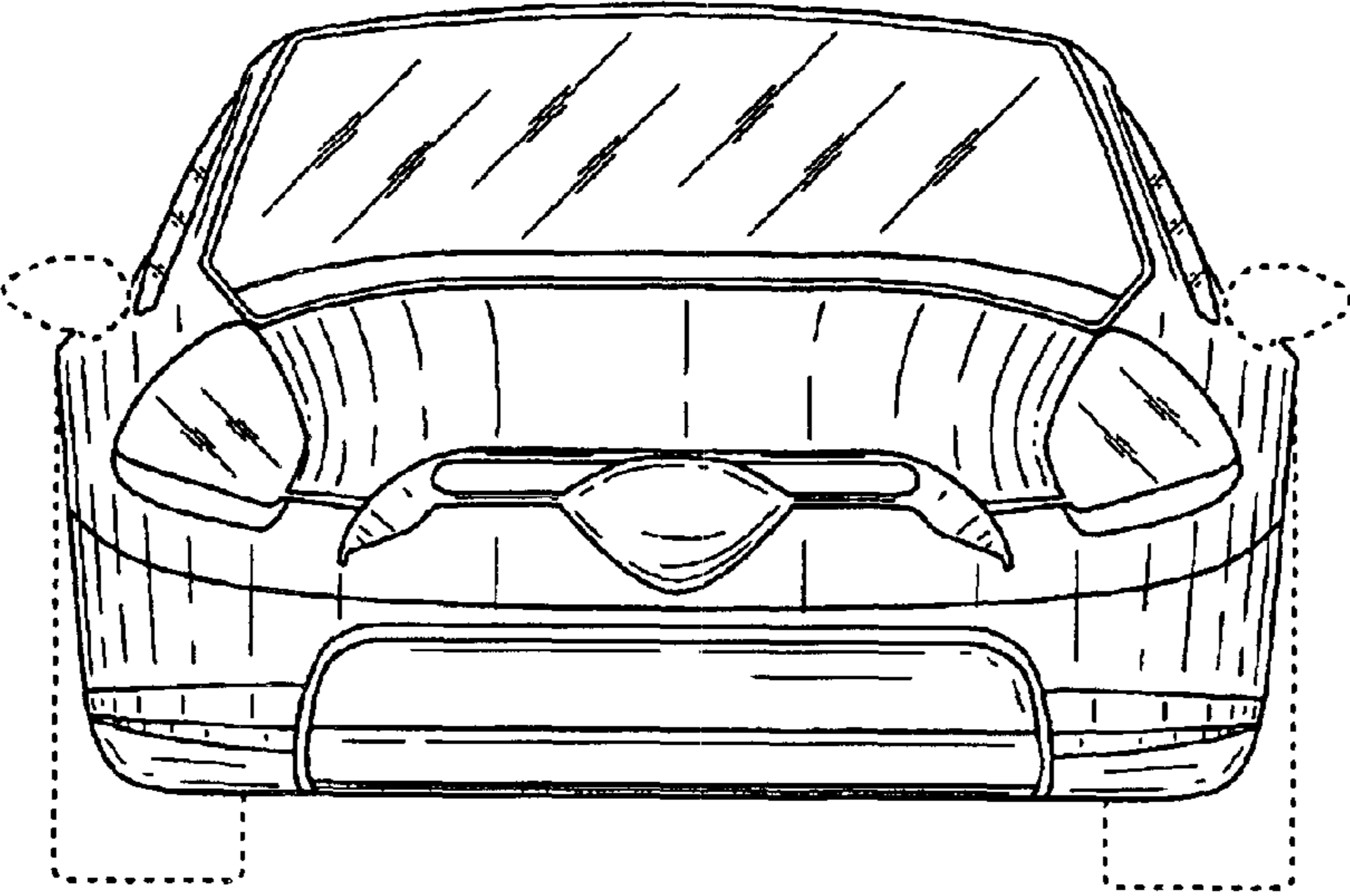


FIG. 1

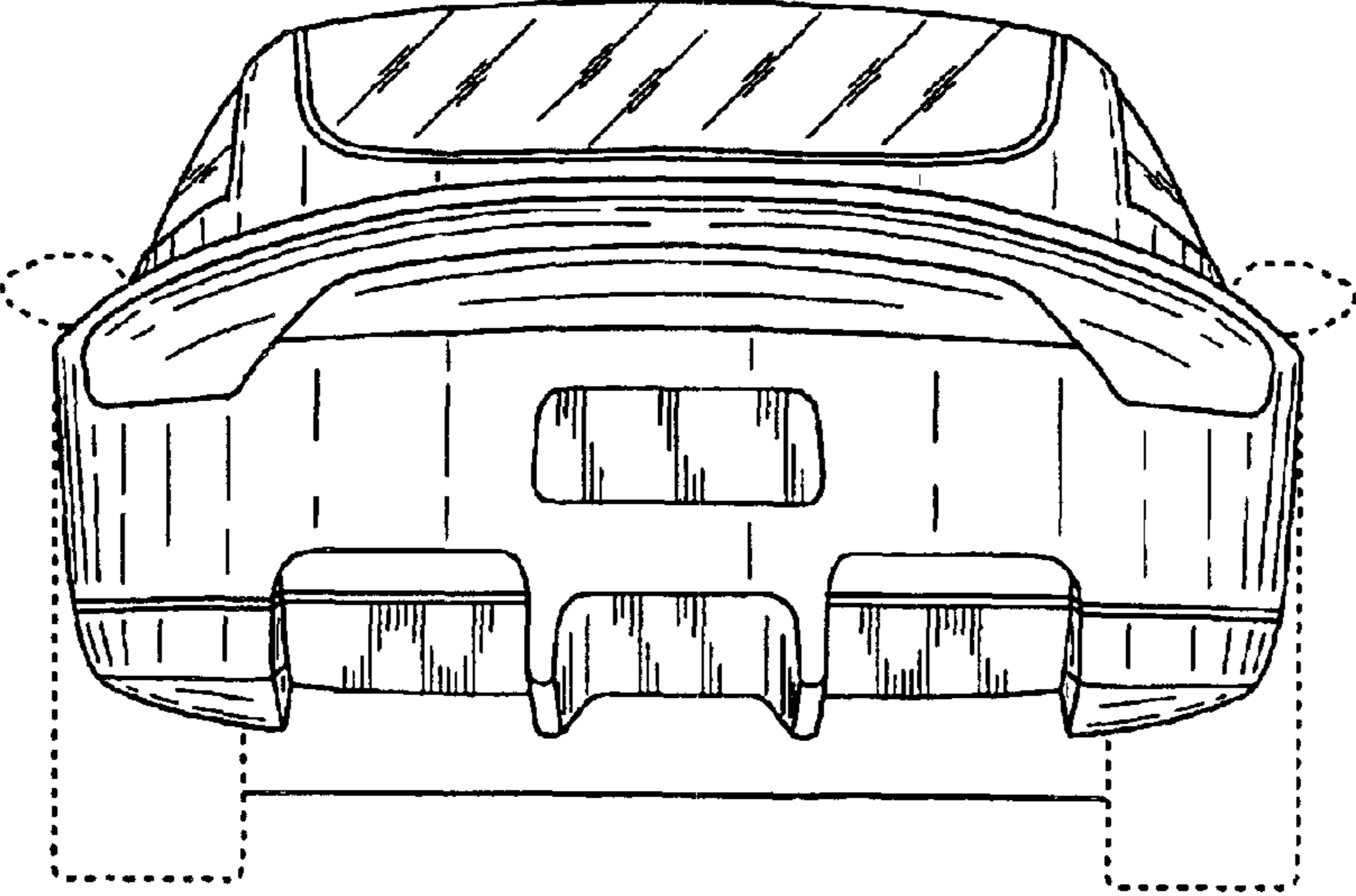


FIG. 4

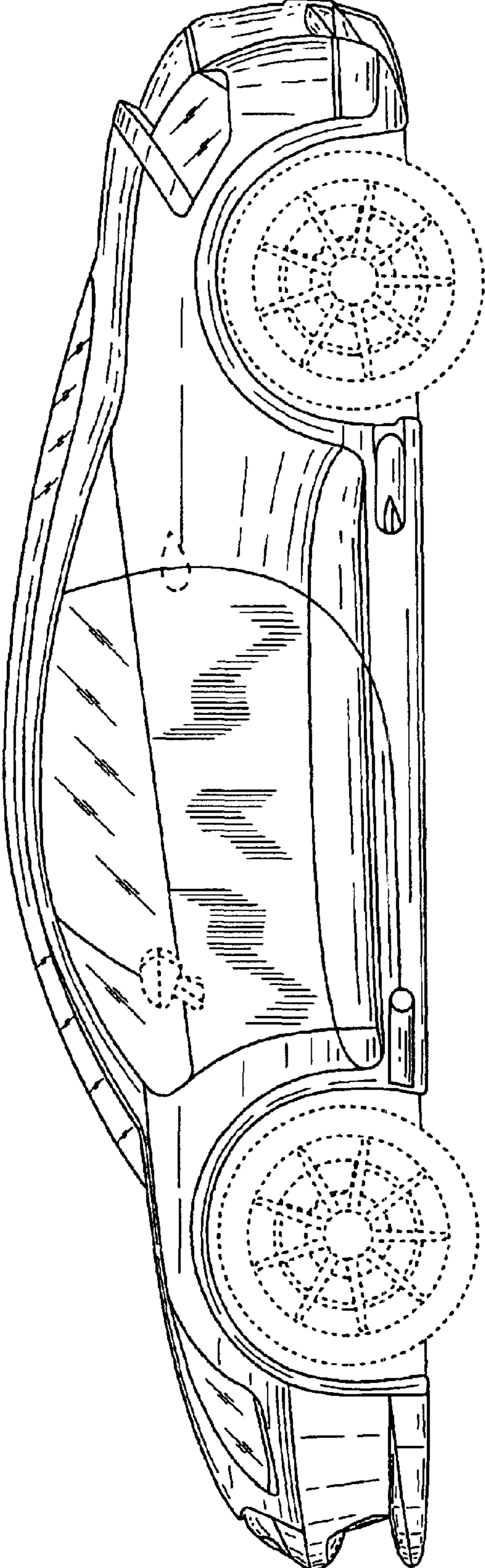


FIG. 2

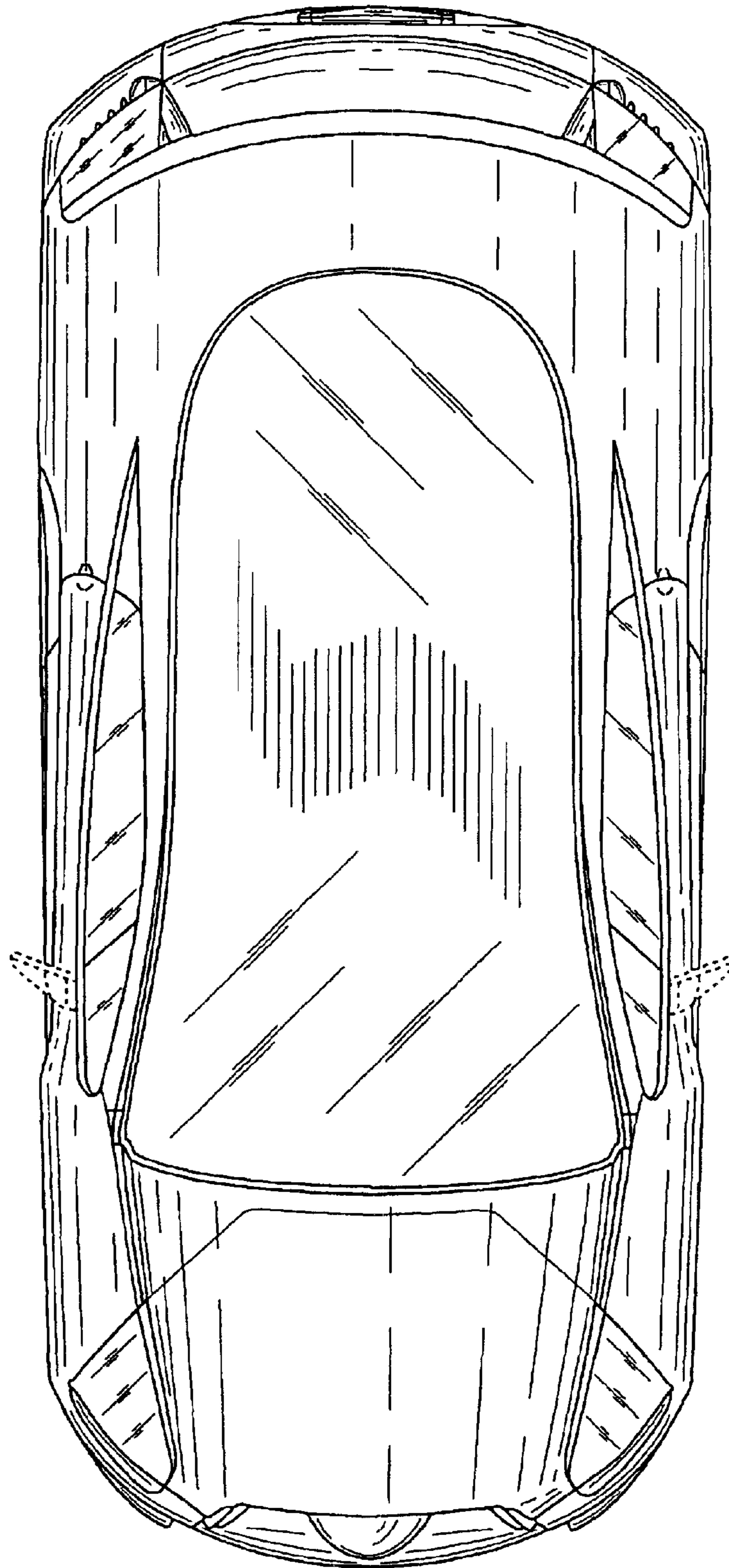


FIG. 3