

US00D498704S

(12) **United States Design Patent**
Bonner et al.

(10) **Patent No.:** **US D498,704 S**

(45) **Date of Patent:** **** Nov. 23, 2004**

(54) **GOLF CAR**

(75) Inventors: **Mark N. Bonner**, West Bloomfield, MI (US); **David R. Hardy**, Hephzibah, GA (US); **Gary D. Johnson**, Martinez, GA (US)

(73) Assignee: **Club Car, Inc.**, Augusta, GA (US)

(**) Term: **14 Years**

(21) Appl. No.: **29/175,019**

(22) Filed: **Jan. 28, 2003**

(51) **LOC (7) Cl.** **12-02**

(52) **U.S. Cl.** **D12/16**

(58) **Field of Search** D12/16, 1, 14,
D12/82-87, 107; 280/DIG. 5; 180/233,
908; 296/186

(56) **References Cited**

U.S. PATENT DOCUMENTS

D271,008 S * 10/1983 Saporito D12/16
D320,580 S * 10/1991 Kim D12/16

D326,831 S * 6/1992 Lanius et al. D12/16
D369,762 S * 5/1996 Molzon et al. D12/16
D373,099 S * 8/1996 Molzon et al. D12/16
D433,651 S * 11/2000 Matsumura et al. D12/1

* cited by examiner

Primary Examiner—Nelson C. Holtje

(74) *Attorney, Agent, or Firm*—Michael Best & Friedrich LLP

(57) **CLAIM**

We claim the ornamental design for a golf car, as shown and described.

DESCRIPTION

FIG. 1 is a perspective view of a golf car showing our new design;
FIG. 2 is a front elevational view thereof;
FIG. 3 is a rear elevational view thereof; and,
FIG. 4 is a left side elevational view thereof, which is a mirror image of the right side not shown; and,
FIG. 5 is a top plan view thereof.

1 Claim, 5 Drawing Sheets



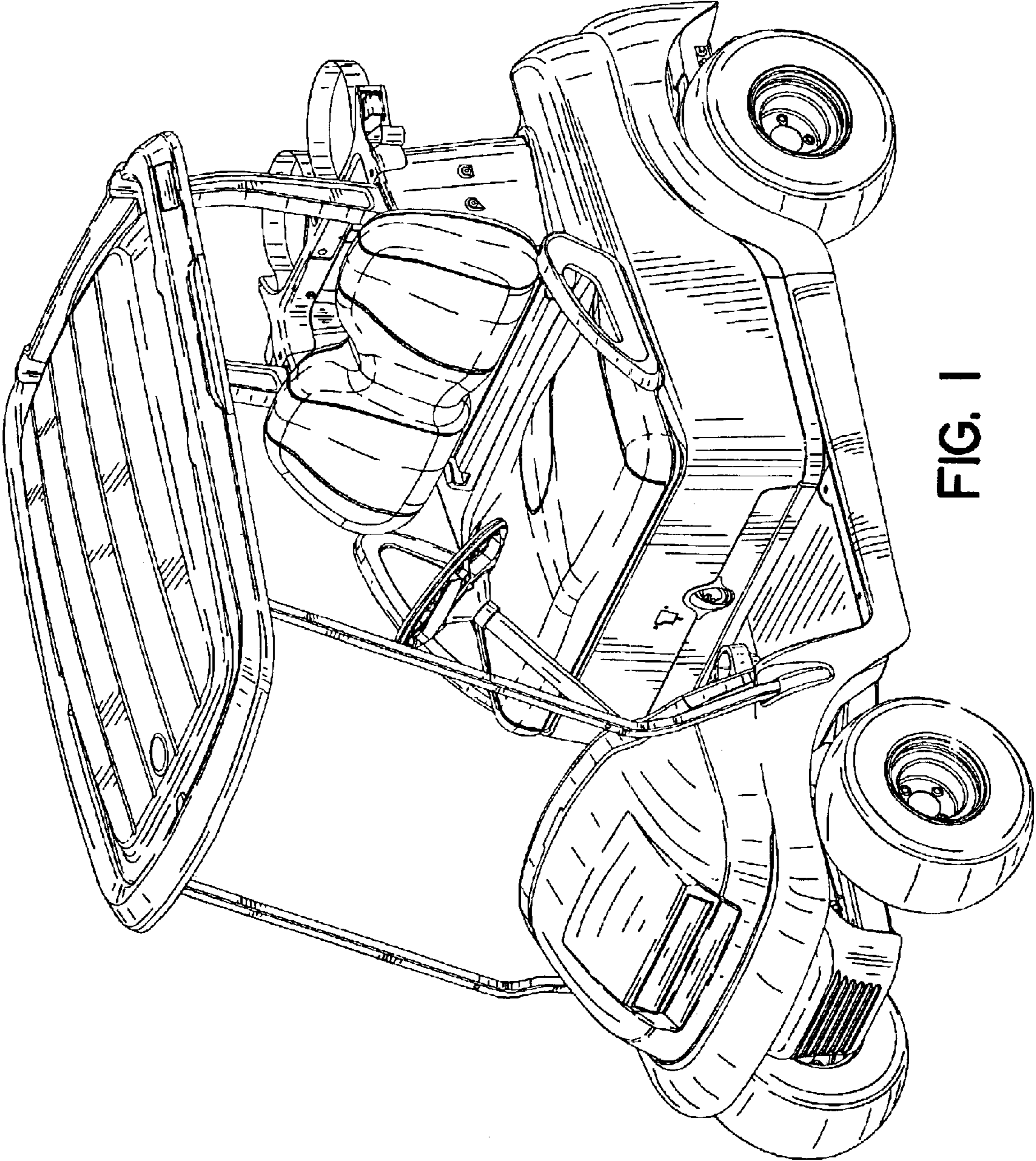


FIG. 1

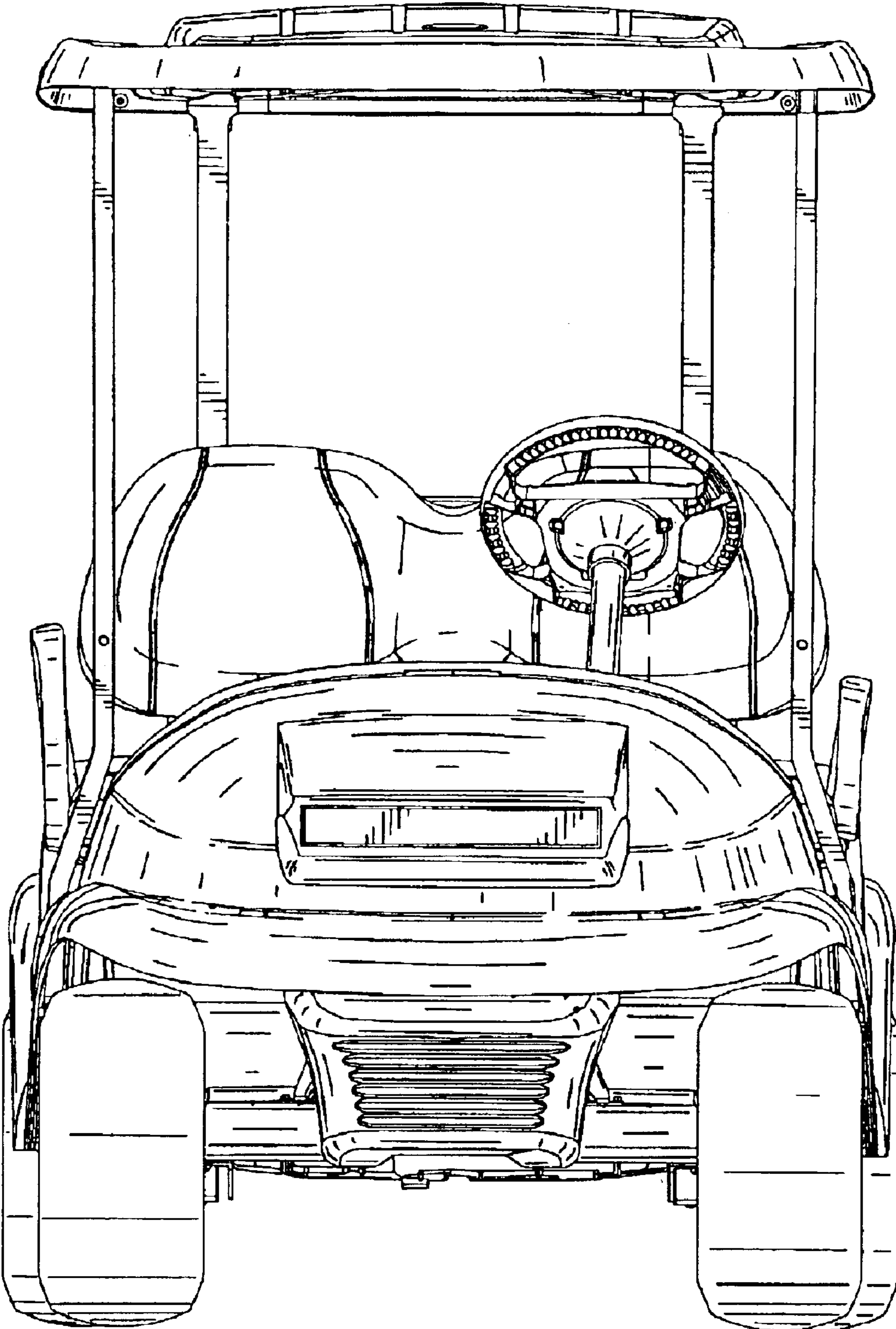


FIG. 2

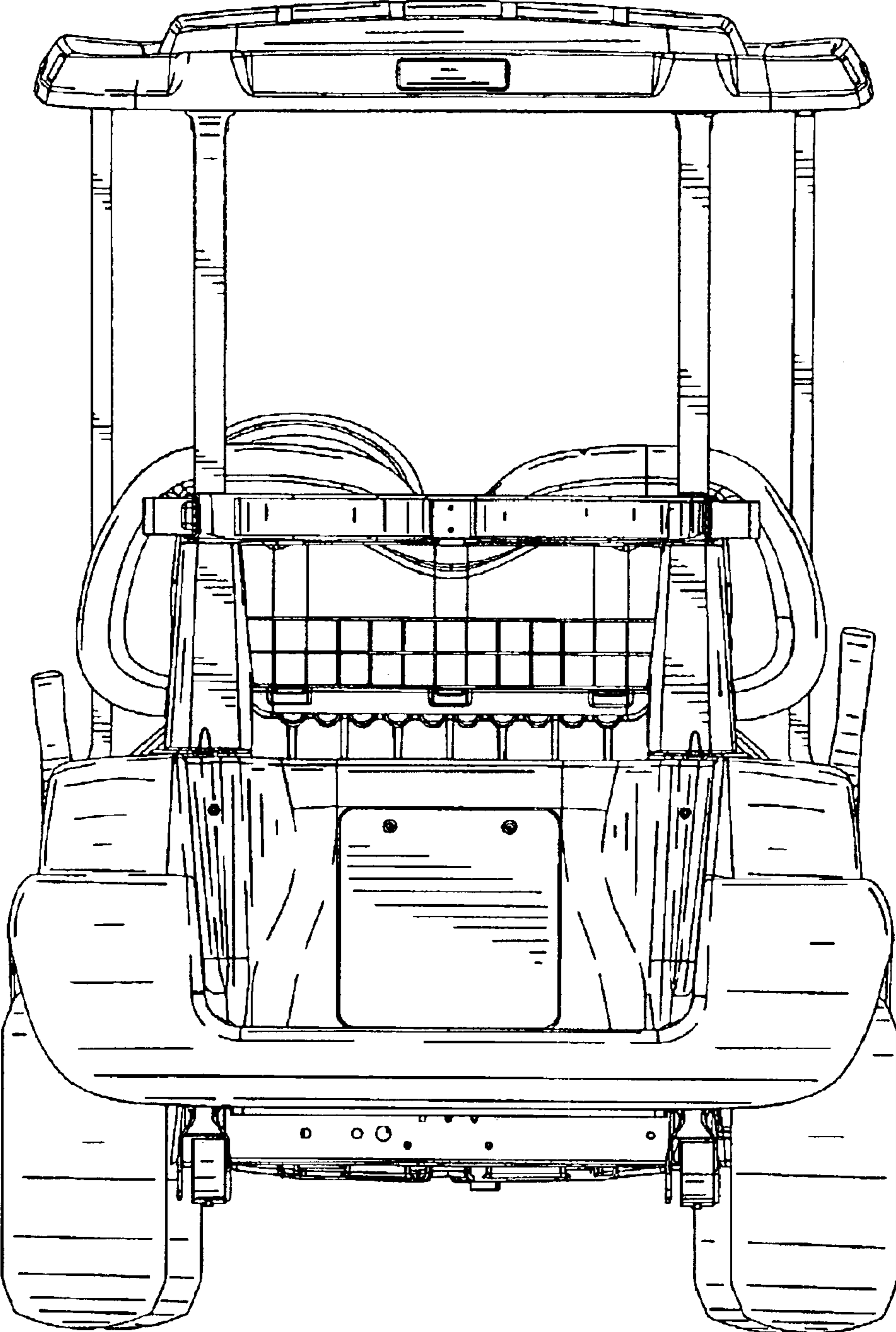


FIG. 3

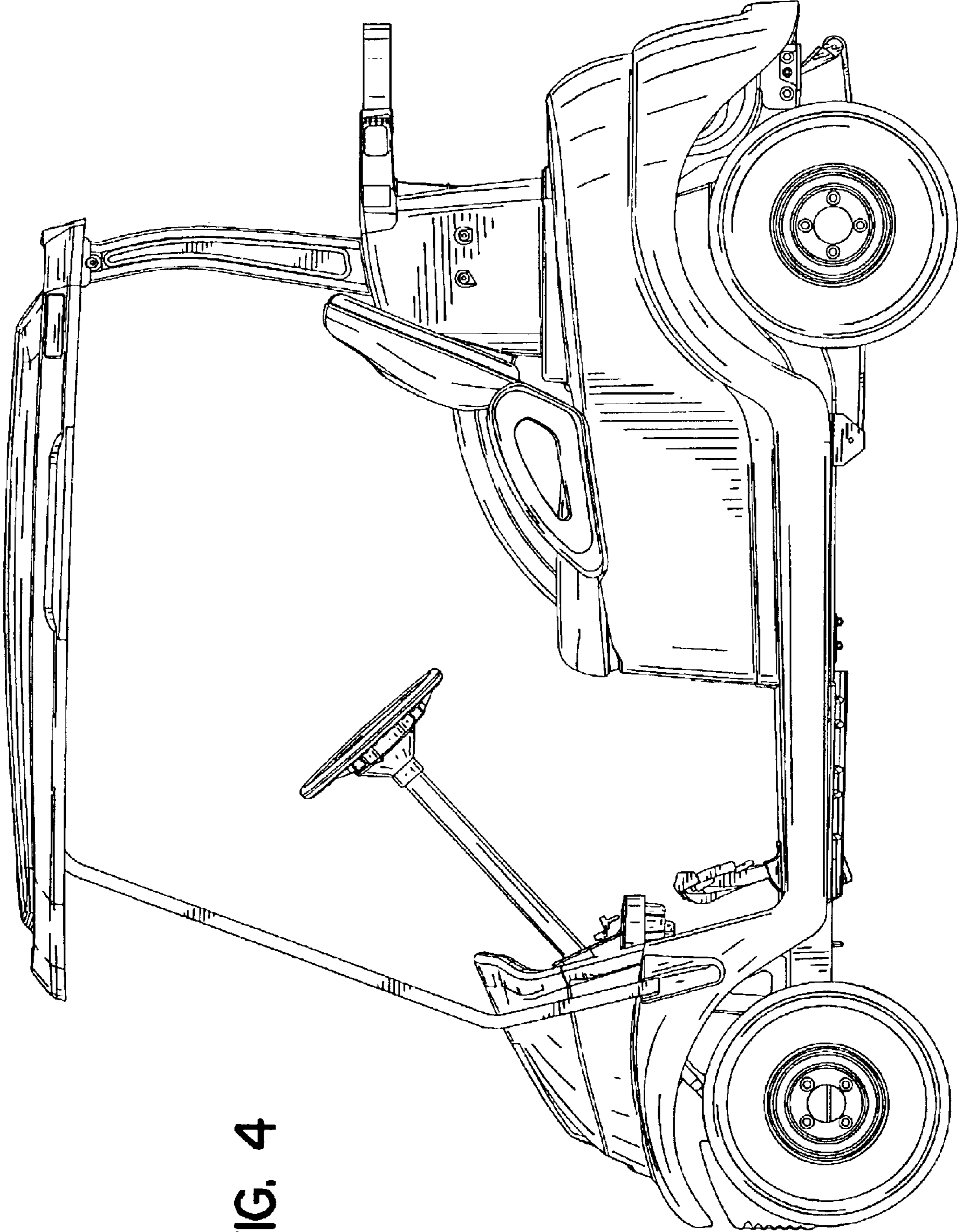


FIG. 4

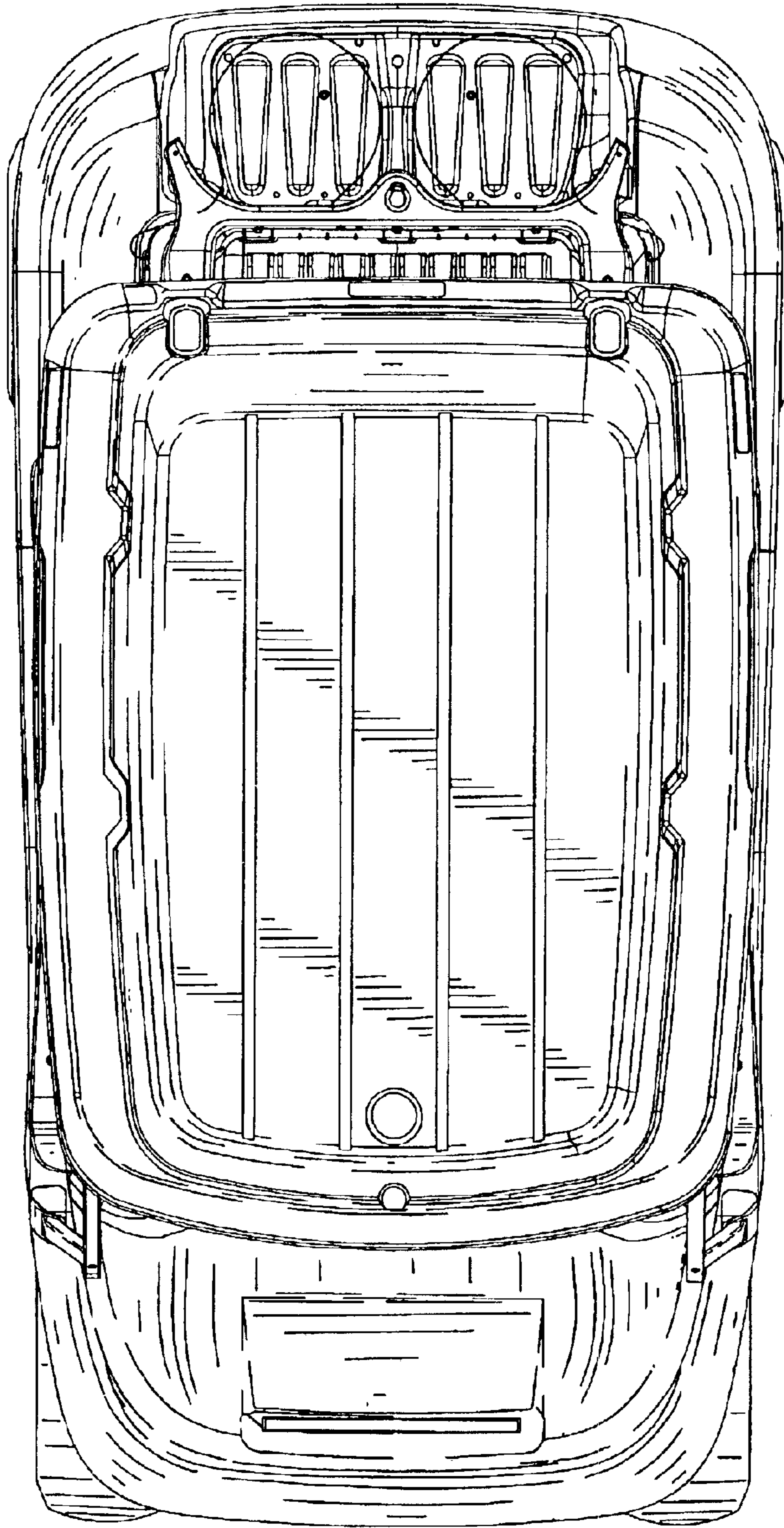


FIG. 5