



US00D498700S

(12) **United States Design Patent**
Yang

(10) **Patent No.:** **US D498,700 S**

(45) **Date of Patent:** **** Nov. 23, 2004**

(54) **SNOWMAN WATER BALL BOTTLE**

D426,432 S * 6/2000 Saddler D11/125
D457,666 S * 5/2002 Sehl D11/121
D462,032 S * 8/2002 Schmauz-Grimsel D11/121

(75) **Inventor:** **Shin-Ya Yang**, Hsin Tien (TW)

* cited by examiner

(73) **Assignee:** **Ya Yung Enterprise Co., Ltd.**, Hsin Tien (TW)

Primary Examiner—Sandra L. Morris

(**) **Term:** **14 Years**

(74) *Attorney, Agent, or Firm*—Bacon & Thomas PLLC

(21) **Appl. No.:** **29/190,047**

(57) **CLAIM**

(22) **Filed:** **Sep. 16, 2003**

The ornamental design for snowman water ball bottle, as shown and described.

(51) **LOC (7) Cl.** **11-05**

DESCRIPTION

(52) **U.S. Cl.** **D11/121; D9/312; D21/629**

FIG. 1 is a perspective view of snowman water ball bottle showing my new design;

(58) **Field of Search** **D9/307, 311-312,**

D9/314; D11/121, 125, 127-129, 164; D21/629, 638, 659; 428/7, 11, 13

FIG. 2 is a front elevational view thereof;

FIG. 3 is a rear elevational view thereof;

FIG. 4 is a top plan view thereof;

FIG. 5 is a bottom plan view thereof;

FIG. 6 is a left side elevational view thereof; and,

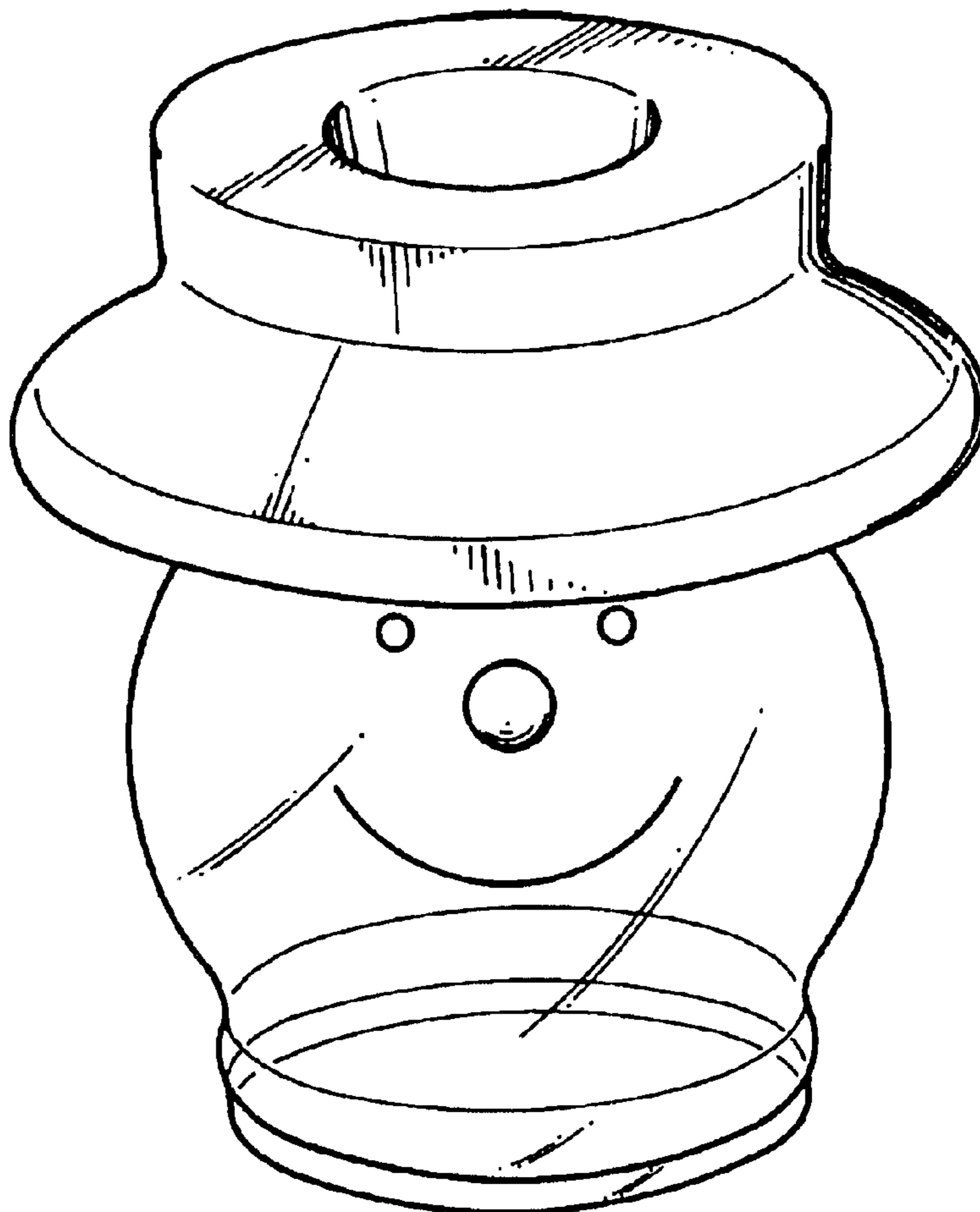
FIG. 7 is a right side elevational view thereof.

(56) **References Cited**

U.S. PATENT DOCUMENTS

D345,435 S * 3/1994 McLaughlin, II D11/121
5,620,353 A * 4/1997 Lai 446/136
D384,595 S * 10/1997 Hartwell-Ruland D11/121

1 Claim, 7 Drawing Sheets



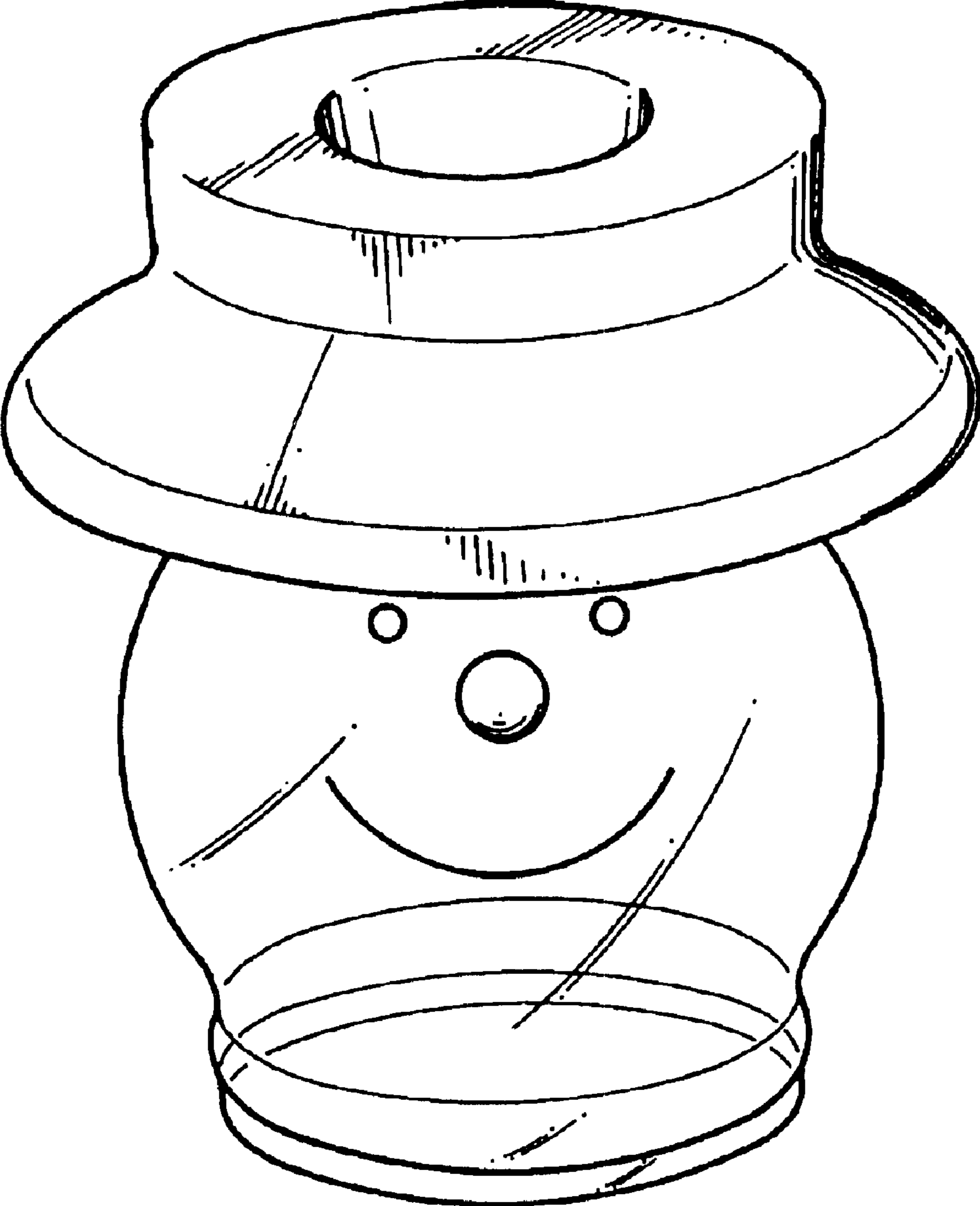


FIG. 1

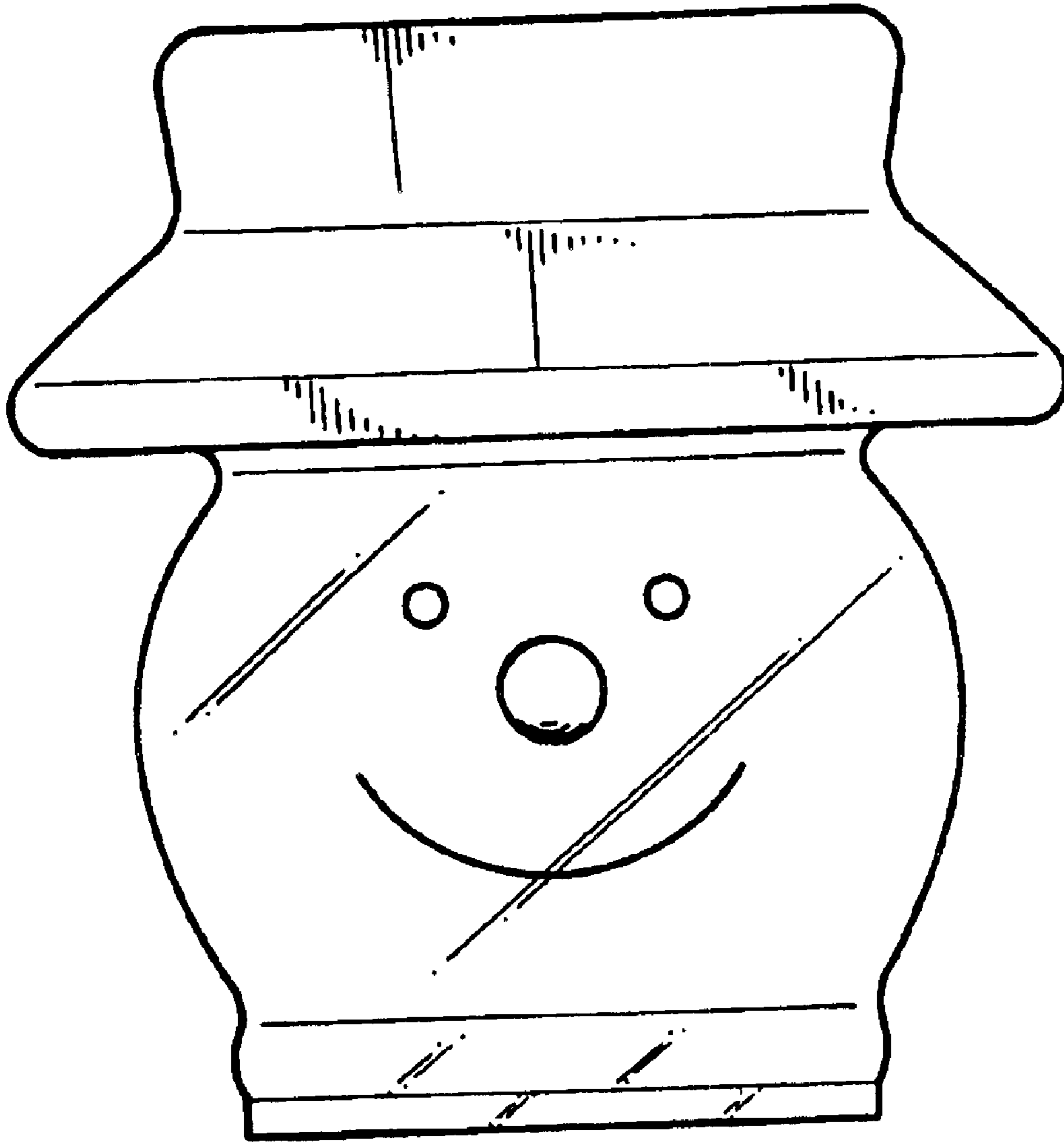


FIG. 2

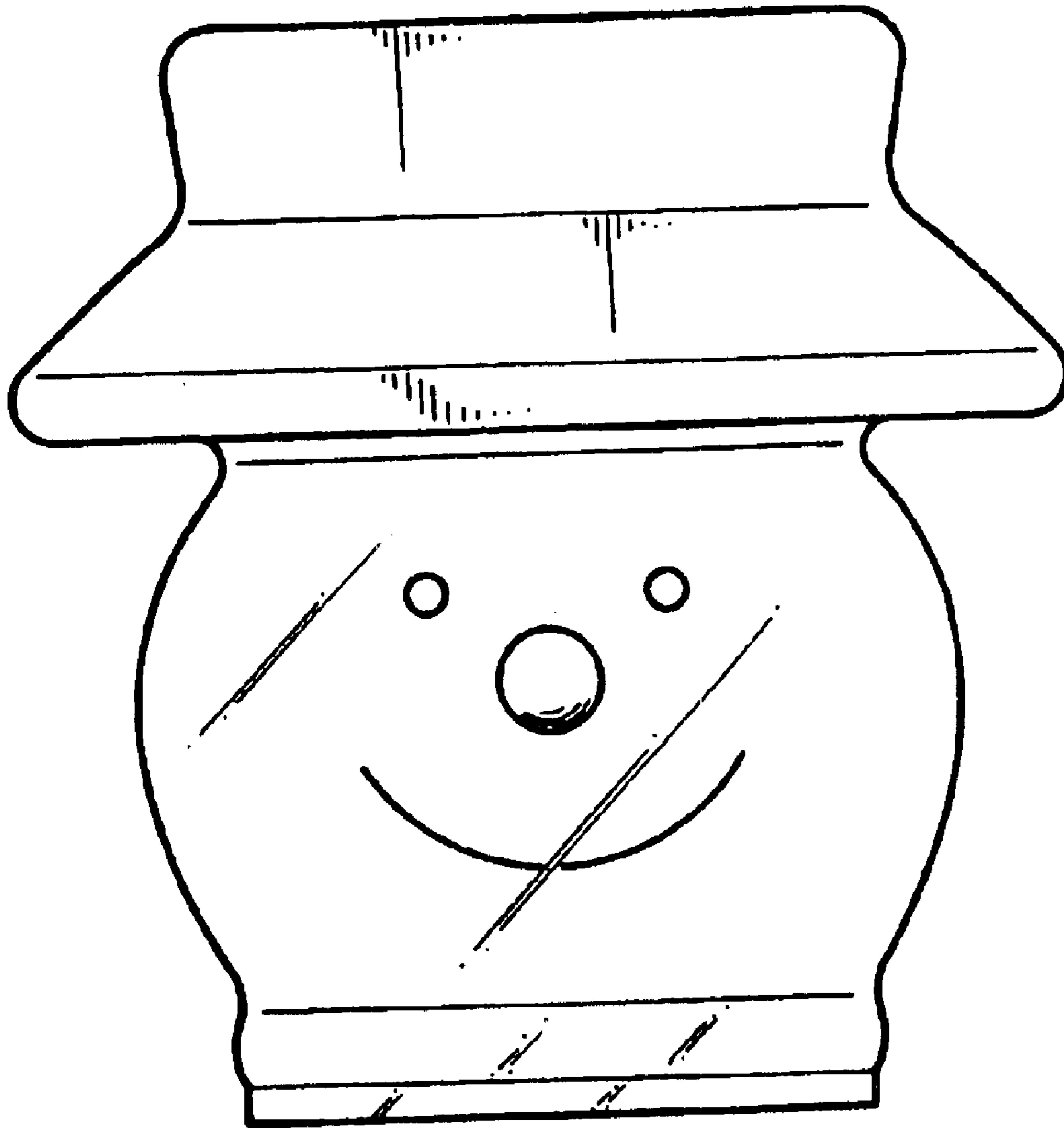


FIG.3

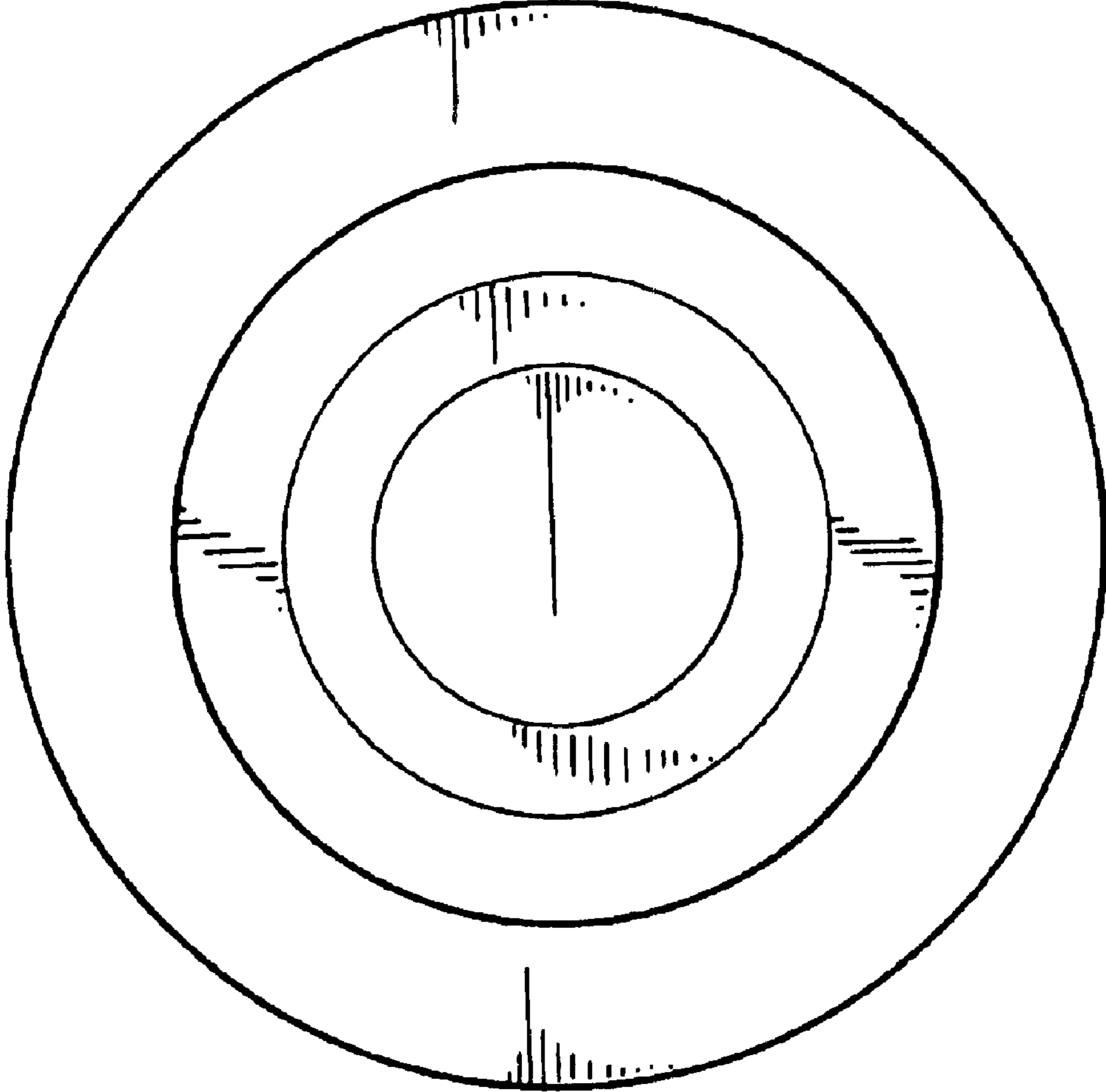


FIG.4

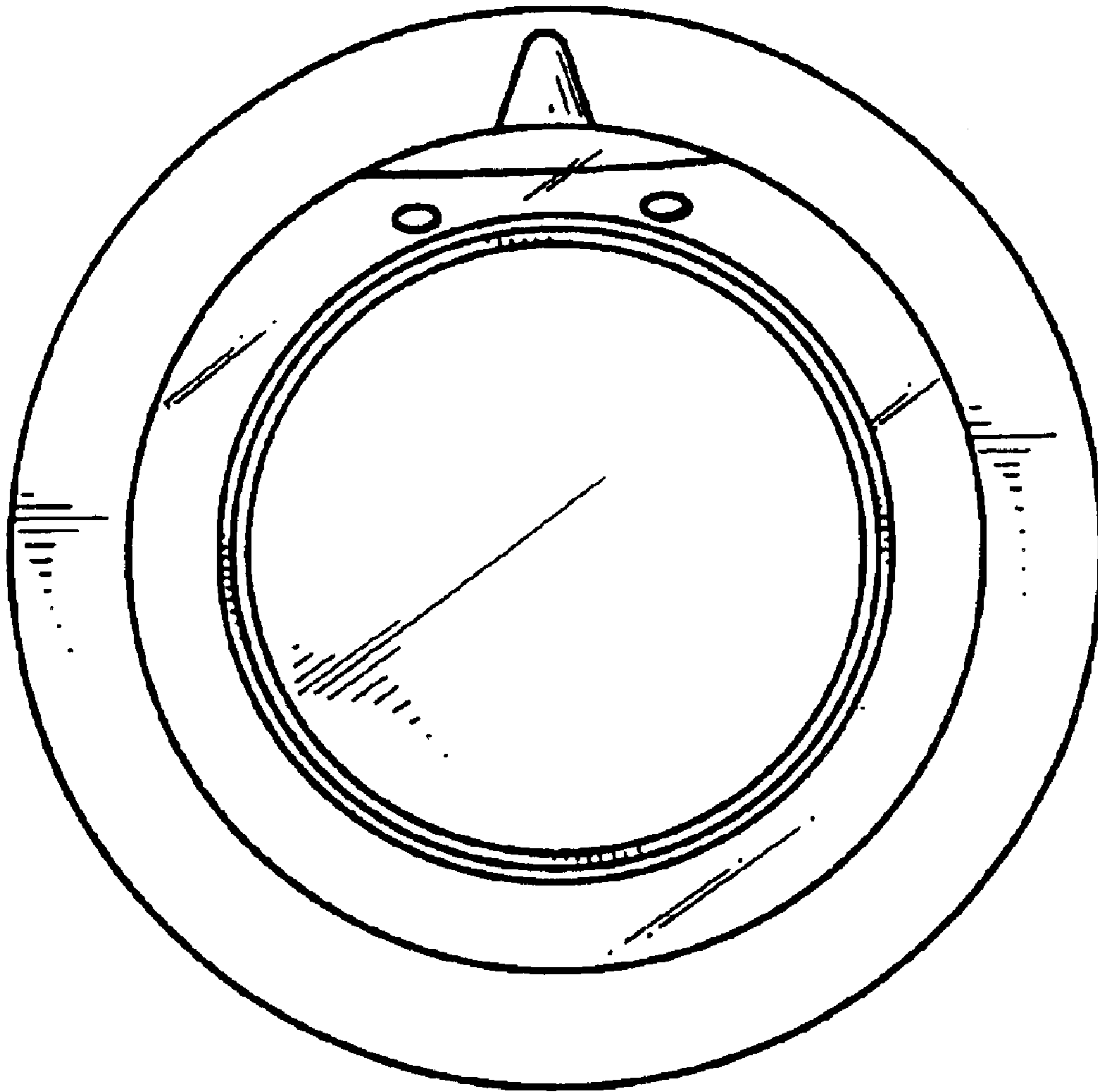


FIG. 5

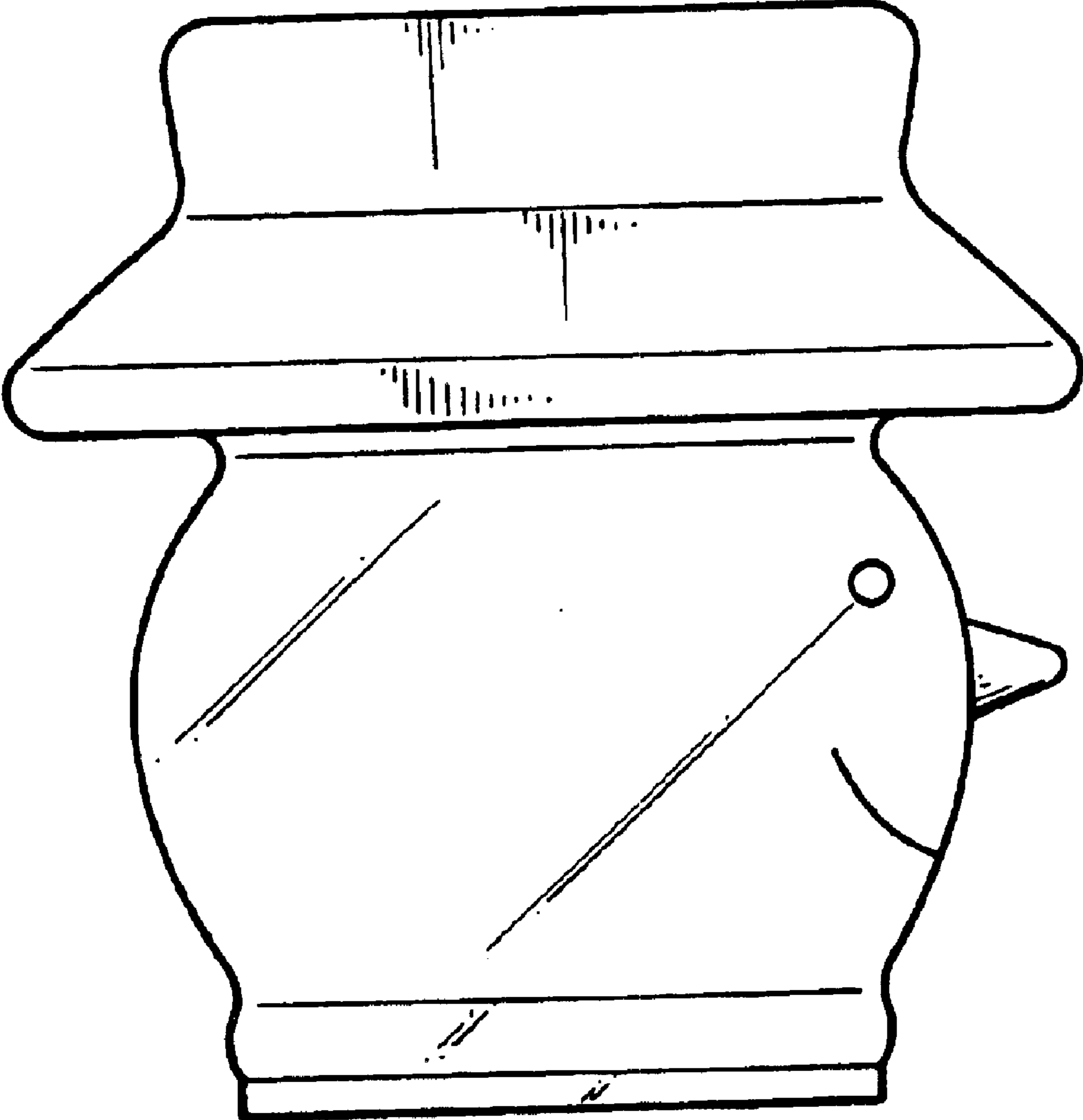


FIG.6

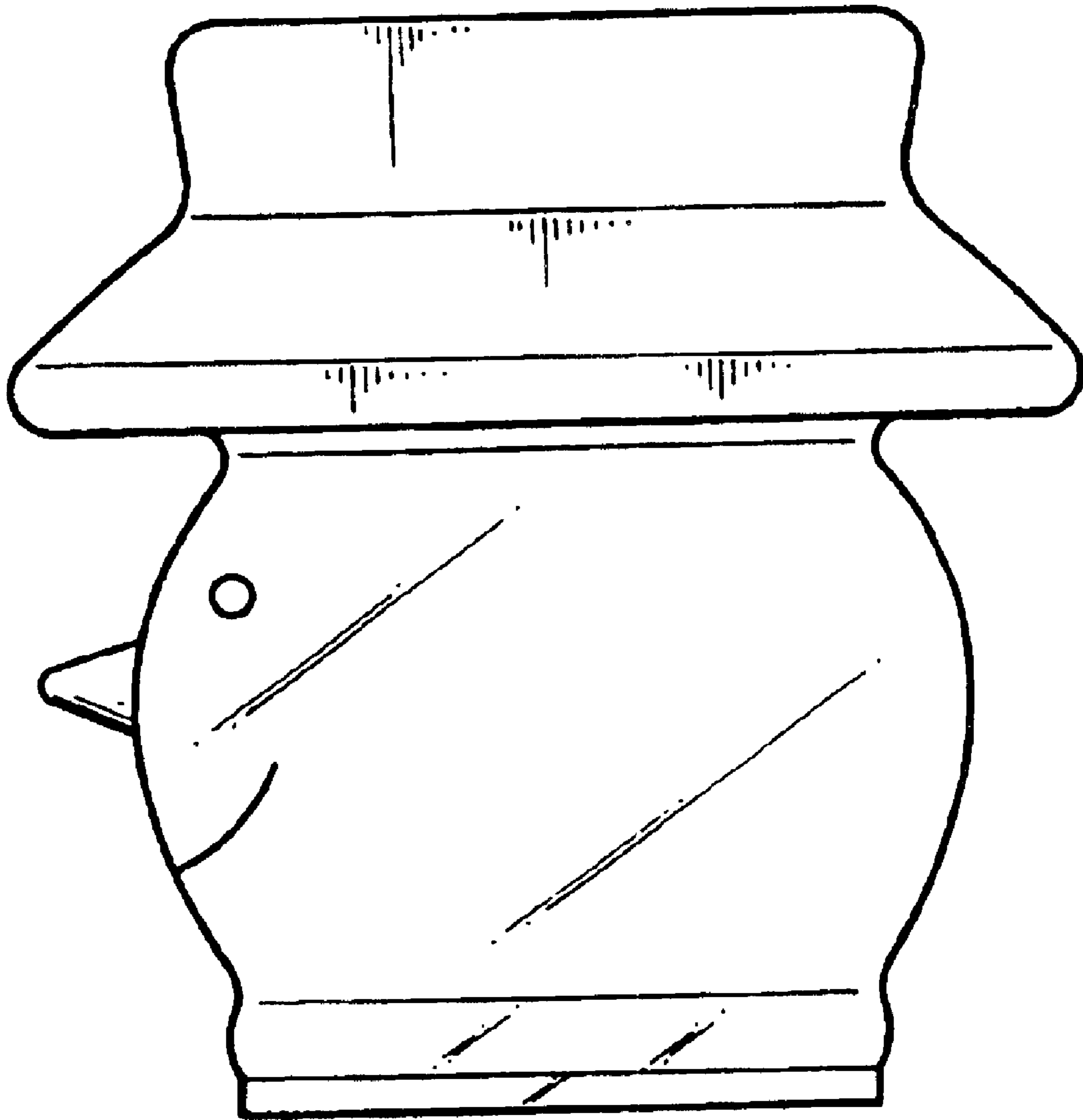


FIG. 7